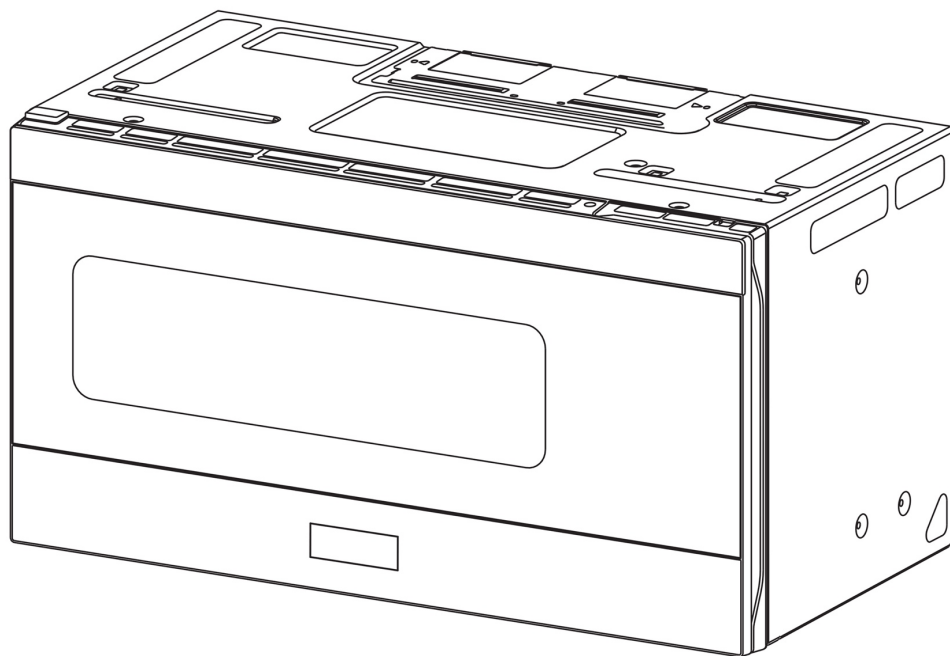


A PROUD HERITAGE OF EXPERIENCE & QUALITY



**30" OVER THE RANGE
MICROWAVE OVEN**

EM044K6BB (BR-MW OH16-S)

I N S T A L L A T I O N M A N U A L



WWW.VINOTEMP.COM

PARTS AND SPECIFICATIONS

Model	EM044K6BB (BR-MW OH16-S)
Rated Voltage/Frequency	120V / 60Hz
Rated Input Power (Microwave):	1550W
Rated Output Power (Microwave):	1000W
Microwave Oven Capacity	1.6 cu. ft.
Turntable Diameter:	13.5 in (34.5 cm)
External Dimensions (W x D x H)	31.3 x 16.4 x 15.0 in
Internal Dimensions (W x D x H)	20.24 x 14.41 x 9.25 in
Certifications	UL approved
Power Cord length	3.3 ft. (1 m)
Net Weight	56 lbs. (25.4 kg)



Correct Disposal of this product:

This marking indicates that this appliance should not be disposed with other household wastes. To prevent possible harm to the environment or human health from uncontrolled waste disposal, recycle it responsibly to promote the sustainable reuse of material resources.



Contents

Introduction	4
BEFORE YOU BEGIN	4
IMPORTANT SAFETY INSTRUCTIONS	4
ELECTRICAL REQUIREMENTS	4
Package contents	5
Parts	5
Hardware	5
Before you install	6
Tools and materials needed	6
Mounting requirements	7
Exhaust requirements	8
Removing your microwave	10
Installing your microwave	11
Step 1: Find the wall studs	11
Step 2: Align the rear wall template	12
Step 3: Select a ventilation type	14
Step 4: Option A - Attach the mounting plate to the wall	15
Step 5: Option A - Preparing the top cabinet	17
Step 6: Option A - Adapt the microwave blower for outside top exhaust	19
Step 7: Option A - Mount the microwave	21
Step 8: Option A - Connecting duct work	23
Step 4: Option B - Cutting a vent opening	24
Step 5: Option B - Attach the mounting plate to the wall	25
Step 6: Option B - Preparing the top cabinet	27
Step 7: Option B - Adapt the microwave blower for outside back exhaust	29
Step 8: Option B - Mount the microwave	32
Step 4: Option C - Attach the mounting plate to the wall	34
Step 5: Option C - Preparing the top cabinet	36
Step 6: Option C - Mount the microwave	38
Before using your microwave	40
Obtaining replacement parts	40
Specifications	40
Template dimensions	41
Rear wall template dimensions	41
Top cabinet template dimensions	42
Terms & Conditions	43
WARRANTY	50

Introduction

Congratulations on your purchase of a high-quality product. Your represents the state of the art in microwave design and is designed for reliable and trouble-free performance.

This installation guide will show you how to install your new over-the-range microwave.

BEFORE YOU BEGIN

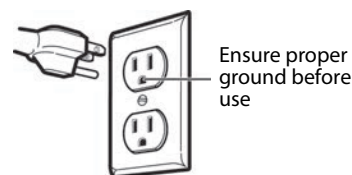
Read these instructions completely and carefully.

- **IMPORTANT** – Save these instructions for local inspector's use.
- **IMPORTANT** – Observe all governing codes and ordinances.
- **Note to Installer** – Be sure to leave these instructions with the consumer.
- **Note to Consumer** – Keep these instructions for future reference.
- **Skill level** – Installation of this appliance requires basic mechanical and electrical skills.
- Proper installation is the responsibility of the installer.
- Product failure due to improper installation is not covered under the Warranty.

IMPORTANT SAFETY INSTRUCTIONS

IMPORTANT—PLEASE READ CAREFULLY. FOR PERSONAL SAFETY, THIS APPLIANCE MUST BE PROPERLY GROUNDED TO AVOID SEVERE OR FATAL SHOCK.

This product requires a three-prong, properly grounded outlet for safe operation. If not properly grounded, or if the outlet box does not meet electrical requirements noted (under ELECTRICAL REQUIREMENTS), a qualified electrician should be employed to correct any deficiencies.



The power cord of this appliance is equipped with a three-prong (grounding) plug which mates with a standard three-prong (grounding) wall receptacle to minimize the possibility of electric shock hazard from this appliance.

You should have the wall receptacle and circuit checked by a qualified electrician to make sure that the receptacle is properly grounded.

Where a standard two-prong wall receptacle is encountered, it is very important to have it replaced with a properly grounded three-prong wall receptacle installed by a qualified electrician.

DO NOT, UNDER ANY CIRCUMSTANCES, CUT, DEFORM, OR REMOVE ANY OF THE PRONGS FROM THE POWER CORD. DO NOT USE WITH AN EXTENSION CORD.

Note

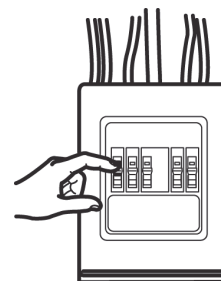
For easier installation and personal safety, it is recommended that two people install this product.

Caution

For personal safety, remove the house fuse or open the circuit breaker before beginning installation to avoid severe or fatal shock injury.

For personal safety, the mounting surface must be capable of supporting the cabinet load, in addition to the added weight of this 56-lb. (25.4 kg) product, plus additional oven loads of up to 50 pounds (22 kilograms) for a total weight of 106 lbs. (46.4 kg).

For personal safety, this product cannot be installed in cabinet arrangements such as an island or a peninsula. It must be mounted to BOTH a top cabinet AND a wall.



ELECTRICAL REQUIREMENTS

The product rating of your microwave is 120 volts AC, 60 Hertz, 15 amps, and 1.6 kilowatts. This product must be connected to a supply circuit of the proper voltage and frequency. Wire size must conform to the requirements of the National Electrical Code or the prevailing local code for this kilowatt rating. The power supply cord and plug should be brought to a separate 20 ampere branch circuit single grounded outlet. The outlet box should be located in the cabinet above the microwave oven. The outlet box and supply circuit should be installed by a qualified electrician and conform to the National Electrical Code or the prevailing local code.


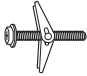




DAMAGE—SHIPMENT/ INSTALLATION

- If the unit is damaged in shipment, return the unit to the store in which it was bought for repair or replacement.
- If the unit is damaged by the customer, repair or replacement is the responsibility of the customer.
- If the unit is damaged by the installer (if other than the customer), repair or replacement must be made by arrangement between customer and installer.

PARTS INCLUDED

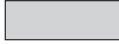

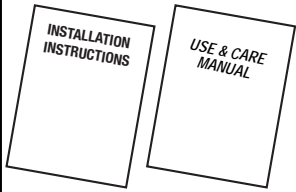
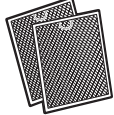
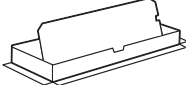


HARDWARE PACKET

PART		QUANTITY
	Wood Screws (1/4" x 2")	2
	Toggle Bolts (and wing nuts) (3/16" x 3")	2
	Self-Aligning Machine Screws (1/4"-28 x 3 1/4")	3
	Nylon Grommet (for metal cabinets)	1

You will find the installation hardware contained in a packet with the unit. Check to make sure you have all these parts.

NOTE: Some extra parts are included.

PARTS INCLUDED (CONT.) ADDITIONAL PARTS

PART		QUANTITY
	Top Cabinet Template	1
	Rear Wall Template	1
	Installation Instructions	1
	Use & Care Manual	1
	Separately Packed Grease Filters	2
	Exhaust adaptor	1
	Glass Tray	1
	Turntable Ring	1

TOOLS YOU WILL NEED



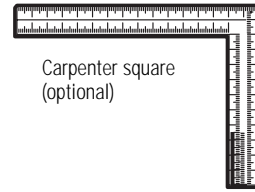
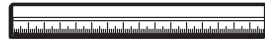
1 Phillips screwdriver



Pencil



Ruler or tape measure and straight edge



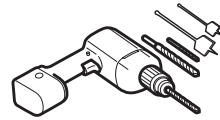
Carpenter square (optional)



Tin snips (for cutting damper, if required)



Scissors (to cut template, if necessary)



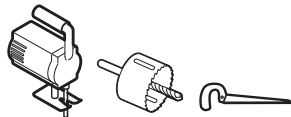
Electric drill with $\frac{3}{16}$ " , $\frac{1}{2}$ " and $\frac{5}{8}$ " drill bits



Filler blocks or scrap wood pieces, if needed for top cabinet spacing (used on recessed bottom cabinet installations only)



Gloves



Saw (saber, hole or keyhole)



Stud finder or Hammer (optional)



Safety goggles



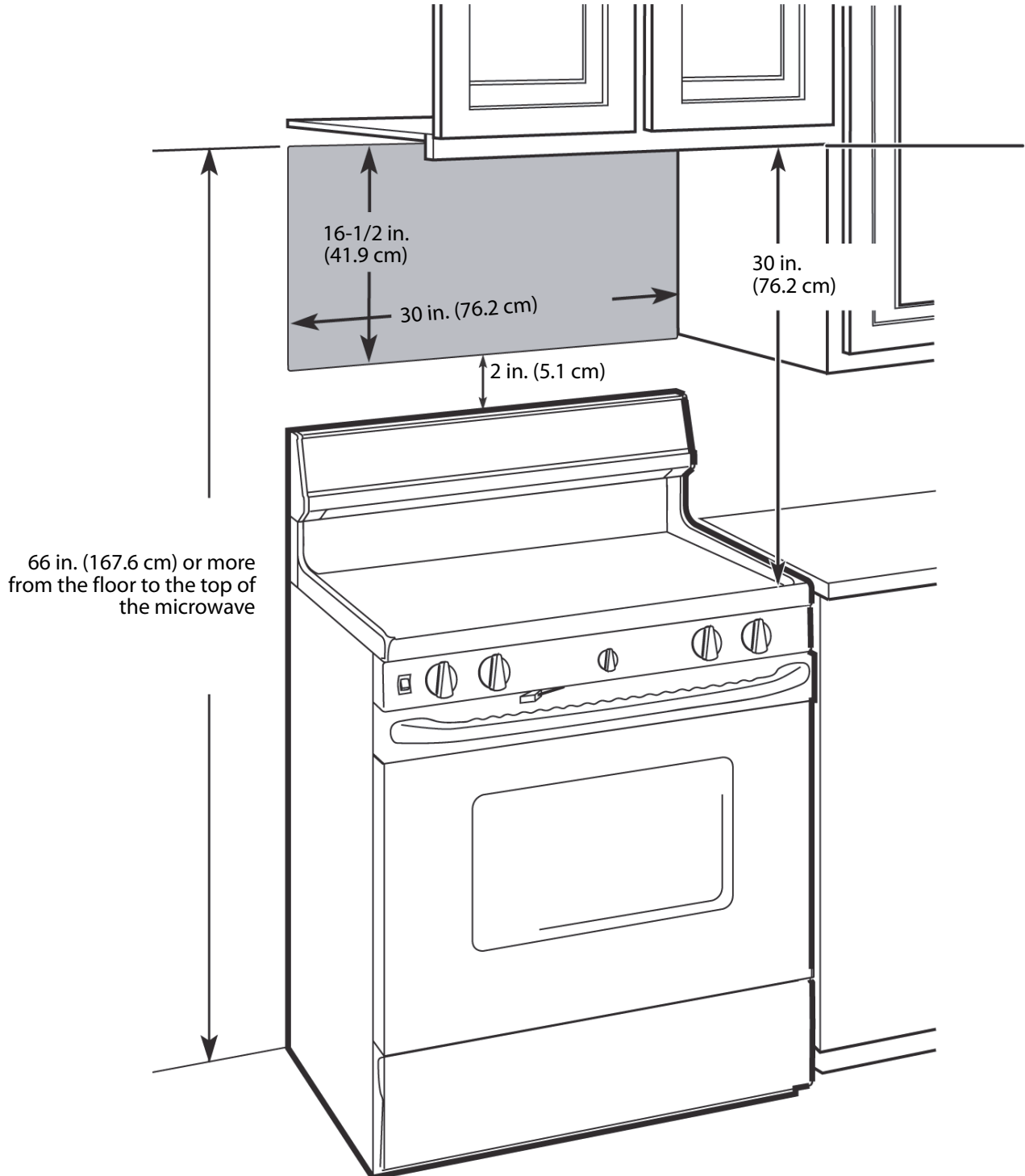
Level



Duct and masking tape

Mounting requirements

- The space between the cabinets must be 30 in. (76.2 cm) wide. If the space between the cabinets is more than 30 in. (76.2 cm), you'll need filler material to fill the gap between the microwave and cabinets.
- This microwave is for installation over ranges up to 36 in. (91.4 cm) wide.
- If installing the microwave beneath smooth, flat cabinets, make sure that you leave enough space for the power cord clearance.
- If you are going to vent your exhaust to the outside, see "Exhaust requirements" on page 8 for exhaust duct preparation.



Exhaust requirements

Use this section if you plan to vent your microwave outside (top or back exhaust). If you plan to recirculate the air back into the room, skip to "Removing your microwave" on page 9.

When installing exhaust vents:

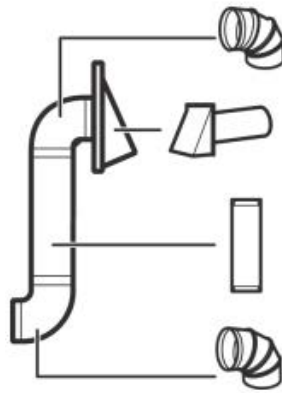
- Use the most direct route with as few elbows/transitions as possible. This helps prevent blockages and ensures that the exhaust is being vented correctly.
- Your microwave is designed to mate with a standard 3-1/4" x 10" rectangular duct. If a round duct is required, a rectangular-to-round transition adapter must be used. Do not use a duct with a diameter less than 6".

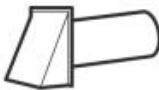


Note

If a rectangular-to-round transition adapter is used, you must cut the bottom corners of the damper with tin snips to let the damper have free movement.

- Elbows, transitions, and wall/roof caps add resistance to airflow. Each of these pieces are equivalent to a section of straight duct that is longer than their actual physical size. When calculating your duct length, add the equivalent lengths of all the pieces together. For proper airflow, the equivalent airflow should not exceed 120 ft. For example:

Example setup:



Duct Pieces	Equivalent Length	×	Number Used	=	Total Equivalent Length
 Roof cap	40 ft.	×	(1)	=	40 ft.
 90° elbow	10 ft.	×	(2)	=	20 ft.
 Straight duct 6" round OR 3-1/4" x 10" rectangular	3 ft.	×	(1)	=	3 ft.
Total ductwork =					63 ft.

For proper airflow, this number should not exceed 120 ft.

Use the "Equivalent duct length table" on page 9 to calculate the equivalent duct-work length for your setup.

Note


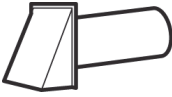


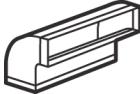
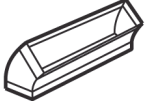


Equivalent lengths of duct pieces are based on actual tests and reflect requirements for good venting performance with any vent hood.



Equivalent duct length table

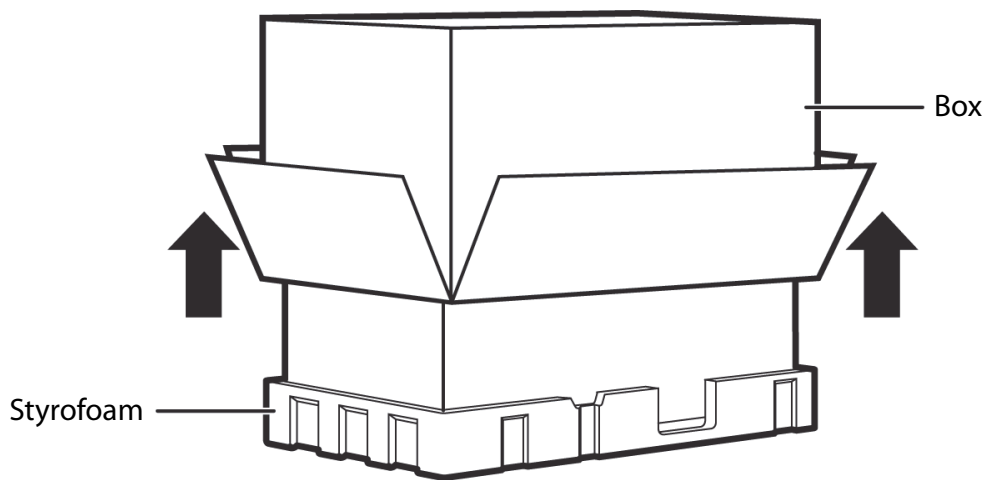
To calculate your equivalent duct length:

- 1 Write the number of sections used for each of the duct pieces.
- 2 Multiply the number used by the equivalent length for each duct piece.
- 3 Add the total equivalent lengths together. This number must be less than 120 ft.

Duct Pieces	Equivalent Length	×	Number Used	=	Total Equivalent Length
 Rectangular-to-round transition adapter	5 ft.	×	()	=	ft.
 Wall cap	40 ft.	×	()	=	ft.
 90° elbow	10 ft.	×	()	=	ft.
 45° elbow	5 ft.	×	()	=	ft.
 90° elbow	25 ft.	×	()	=	ft.
 45° elbow	5 ft.	×	()	=	ft.
 Roof cap	24 ft.	×	()	=	ft.
 Straight duct 6" round OR 3-1/4" × 10" rectangular	1 ft.	×	()	=	ft.
Total ductwork =					ft. (For proper airflow, this number should not exceed 120 ft.)

Removing your microwave

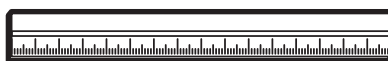
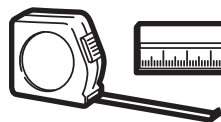
- 1 Remove the documentation, filters, glass tray, and hardware bag from the box. Do not remove the Styrofoam protecting the front of your microwave.
- 2 Fold back all four box flaps, then carefully roll the microwave and box over onto the top side. The microwave should be resting in the Styrofoam.
- 3 Pull the box up and off the microwave.
- 4 Remove and throw away the plastic bags.



You'll need:



Edge-to-edge stud finder



Ruler or tape measure



Pencil

Installing your microwave

Step 1: Find the wall studs

Warning

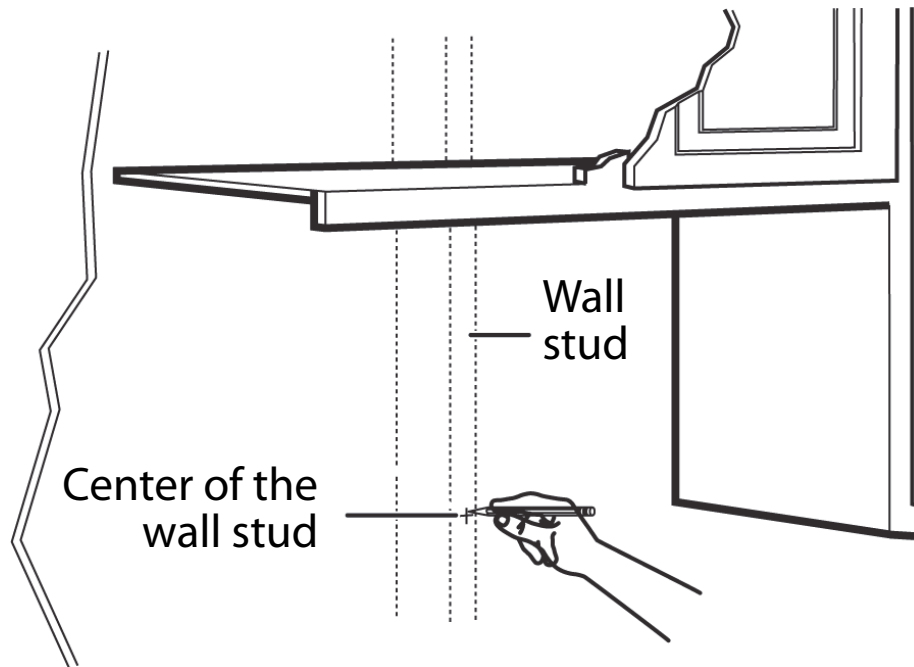
Your microwave must be connected to at least one wall stud.

- 1 Using an edge-to-edge stud finder, locate the edges of the wall stud(s) within the opening.

Warning

The center of any adjacent wall studs should be 16" or 24" from this mark.

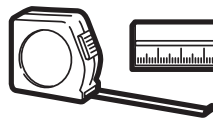
- 2 Mark the center of each stud, and then draw a vertical line down the center of each stud.



You'll need:



Edge-to-edge stud finder



Ruler or tape measure



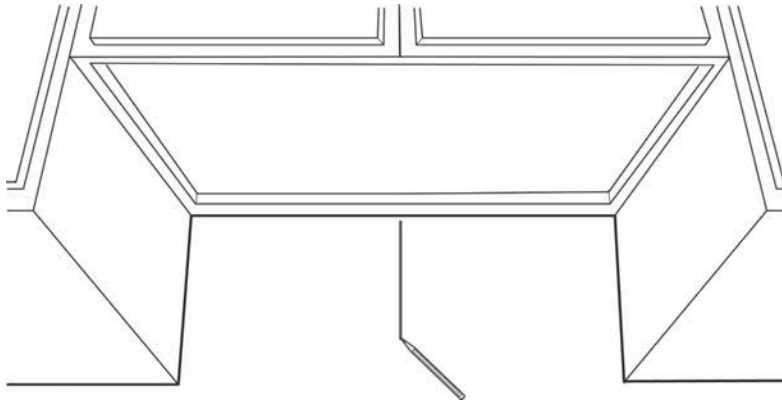
Pencil

Step 2: Align the rear wall template

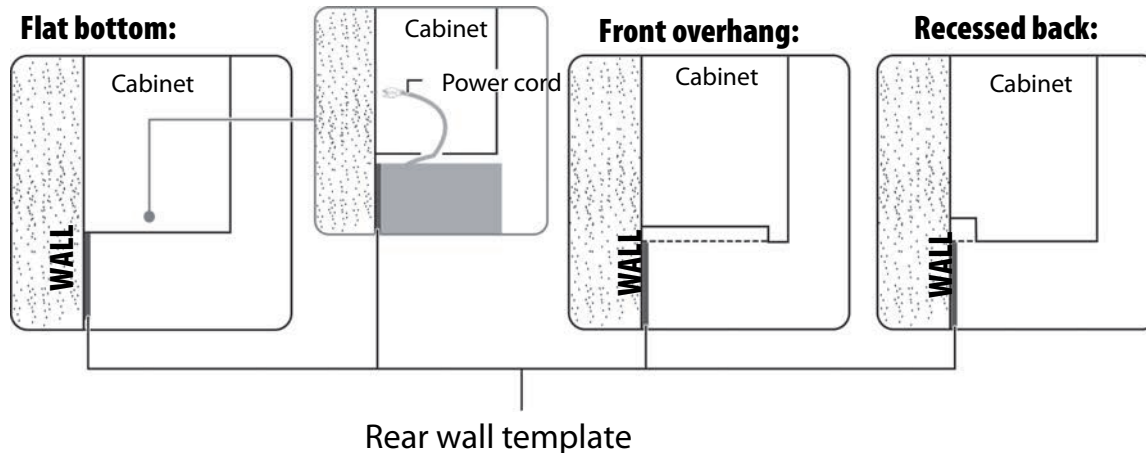
NOTE:

If the rear wall template is damaged or unusable, see "Rear wall template dimensions" on page 40 for dimensions.

- 1 Use a level to make sure that the bottom of the cabinet is level.
- 2 Draw a vertical line down the center of the wall in the mounting space. This is where the center of your template will be.



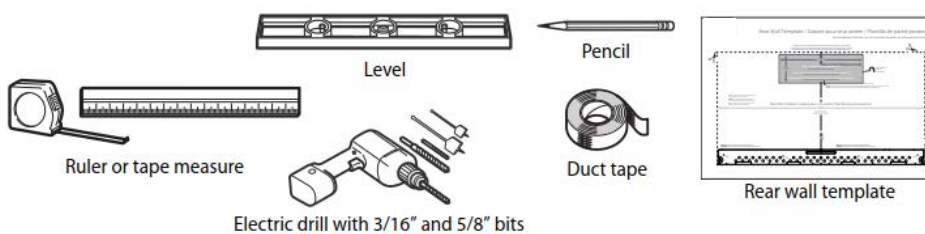
- 3 Draw a horizontal line at the height of the front of your cabinet. This is where the top of your template will be. If the bottom of your cabinet is flat, make sure that you leave space for the power cord.



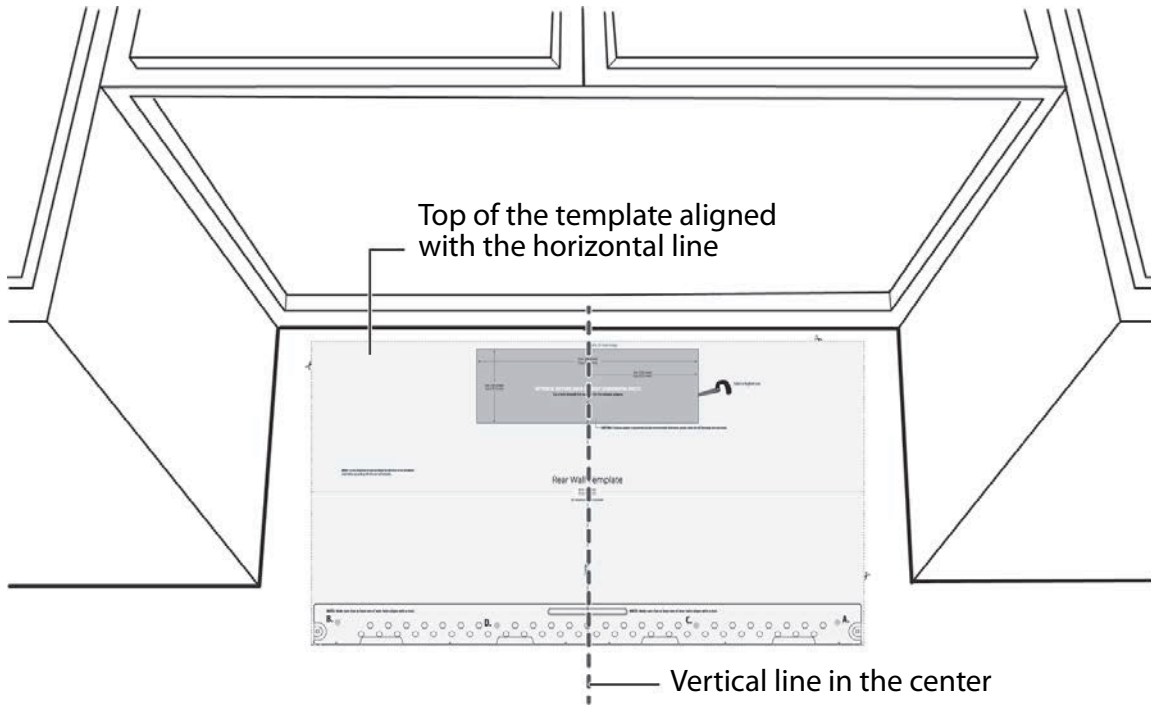
Notes

- If installing the microwave beneath smooth, flat cabinets, make sure that you leave enough space for the power cord clearance.
- If cabinets have decorative trim that interferes with the microwave installation, remove the trim to install the microwave properly and to make sure that it is level.

- 4 Trim the rear wall template along the dotted line.



- 5 Tape the template in place so that it is centered on the vertical line and the top edge is aligned with the horizontal line.

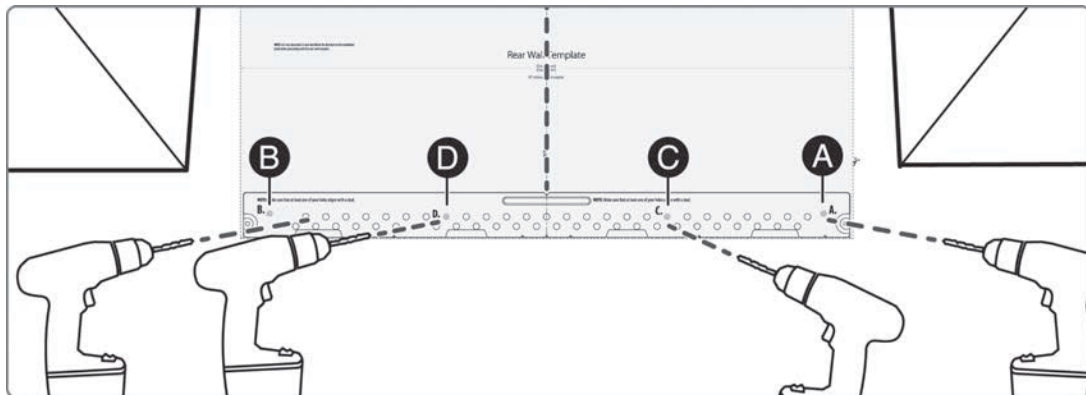


- 6 Find a hole that aligns with a stud (this is **C** or **D**).

CAUTION

You must mount to at least one stud.

- 7 Drill holes through the template at points **A**, **B**, and **C** or **D**. If the hole lines up with a stud, drill a 3/16" hole. Otherwise, drill a 5/8" hole for the toggle bolts. You must use at least three holes for mounting.



Note: Depending on your stud locations, your installation may look different. You should mount to at least one stud.

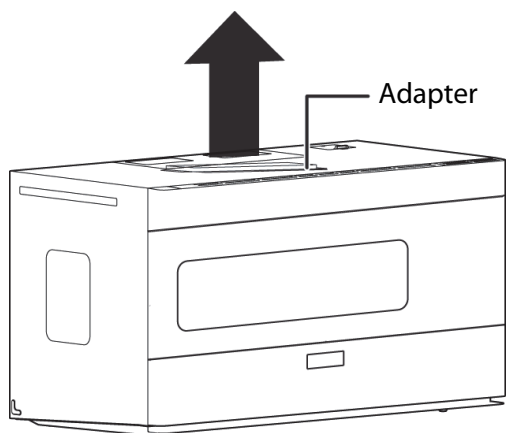
Step 3: Select a ventilation type

This microwave is designed for three types of ventilation. Select the type of ventilation you want to use, then go to the corresponding page.

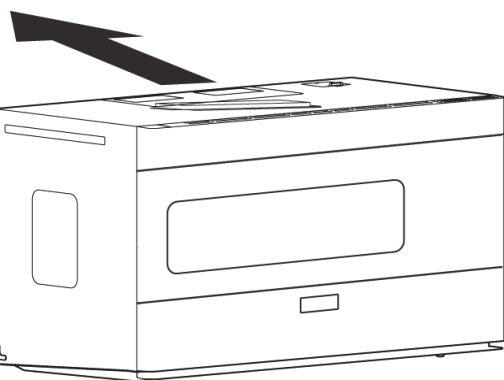
Note

This microwave is shipped assembled for recirculating ventilation.

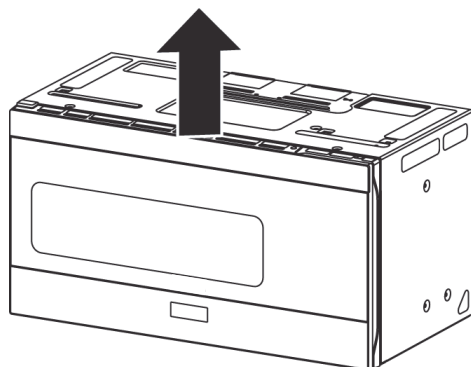
Option A - Outside top exhaust (vertical duct):



Option B - Outside back exhaust (horizontal duct):



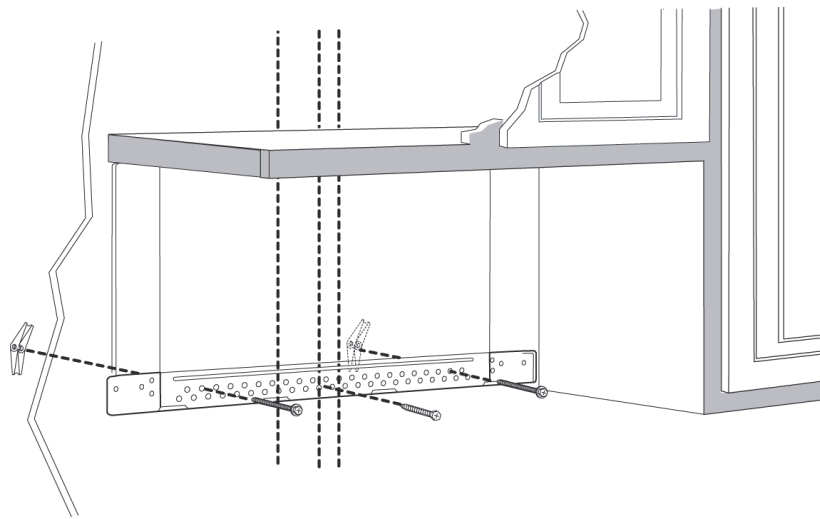
Option C - Recirculating (non-vented/ductless):



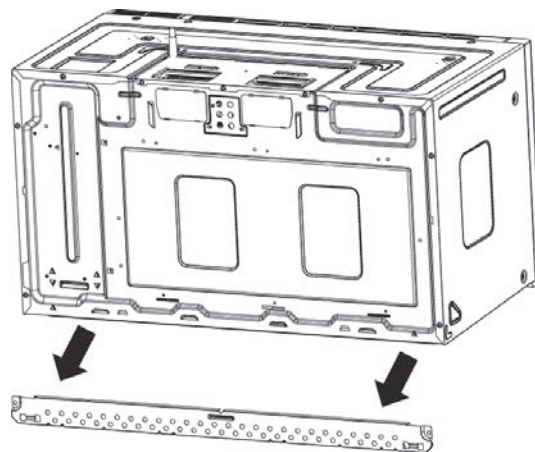
*Requires a charcoal filter (included)

Step 4: Option A - Attach the mounting plate to the wall

Note: Depending on your stud locations, your installation may look different. You should insert toggle bolts into drywall and wood screws into studs.



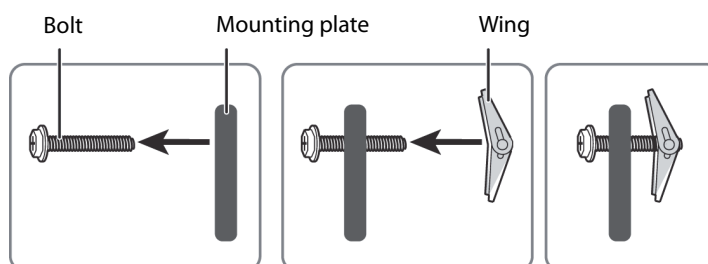
- 1 Remove the rear wall template.
- 2 Remove the mounting plate from the back of your microwave using a Phillips screwdriver.



- 3 Insert the toggle bolt(s) through the front of the mounting plate into the hole(s) that are not going into a stud, and then attach the toggle wings $\frac{3}{4}$ " onto each bolt. Hold your mounting plate up to holes in your wall to identify the correct position.

Note

The top of the mounting plate is indicated with an arrow. The mounting plate's hooks are on the front.

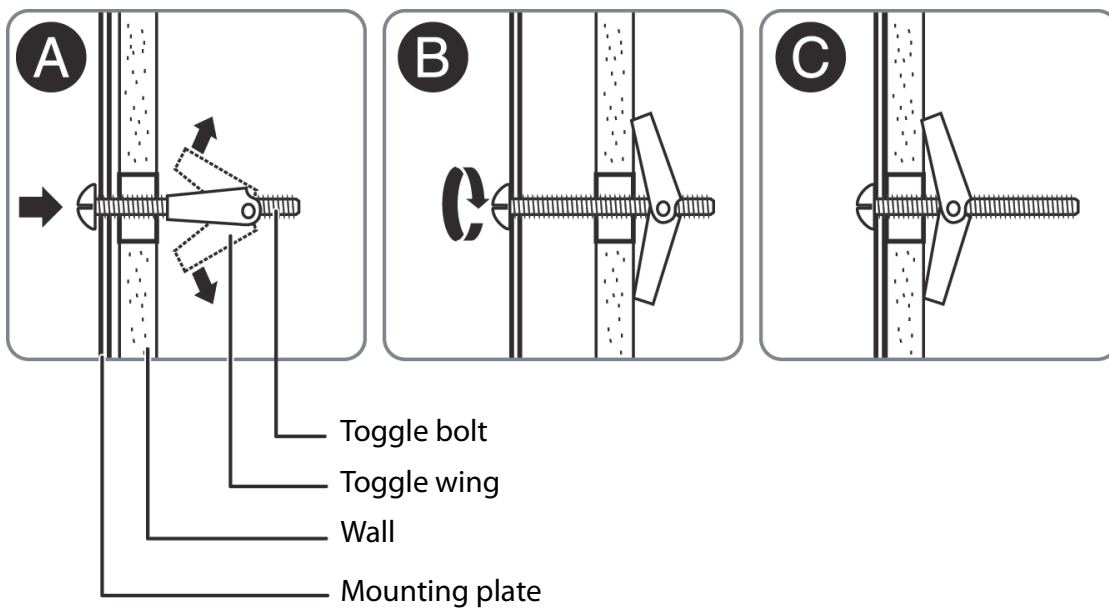


- 4 Place the mounting plate against the wall and insert the toggle wings into the holes you drilled in the drywall. Pull the mounting plate away from the wall to help tighten the toggle wings.

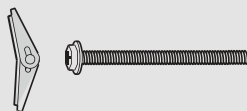
- 5 Insert wood screw(s) through the mounting plate and into the hole(s) drilled in the stud(s), then tighten both the wood screw(s) and toggle bolt(s) with a Phillips screwdriver to mount the plate. Make sure that the plate is centered before tightening fully.

Caution

Be careful to avoid pinching your fingers between the back of the mounting plate and the wall.



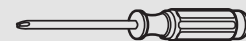
You'll need:



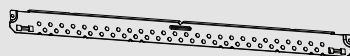
Toggle bolts



Wood screws



Phillips screwdrivers



Mounting plate (Qty. 1)
(ships attached to microwave)

Step 5: Option A - Preparing the top cabinet

Notes

If the top cabinet template is damaged or unusable, see "Top cabinet template dimensions" on page 41 for dimensions.

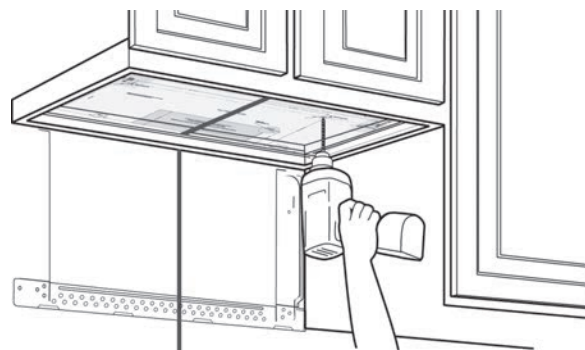
You need to drill holes for the top support screws, a hole large enough for the power cord to fit through, and a cutout large enough for the exhaust adapter.

- 1 Turn off the power to the outlet in the cabinet.
- 2 Remove everything from the cabinet.
- 3 Trim the *Top Cabinet Template* along the dotted line.
- 4 If the bottom of your cabinet is recessed and the template is too large, trim the edges to fit. Your template should fit snugly inside the space with no overhang.

Note

- Make sure that you keep the left and right sides even. For example, if you need to trim the sides by 1", cut 1/2" from the left side and 1/2" from the right side.
- Some cabinets have a small bracket or glue block between the overhang and the underside of the cabinet bottom. Cut the template to fit around these so it lies flat on the bottom of the cabinet.

- 5 To position the *Top Cabinet Template*:
 - Align the center line on the template with the center line that you drew on the wall.
 - Align the back edge of the template to the rear wall (smooth or flat bottom cabinets) or to the back of the recess (recessed cabinets) to make sure that the holes cut into the upper cabinet align with the holes in the top of the microwave.



CAUTION

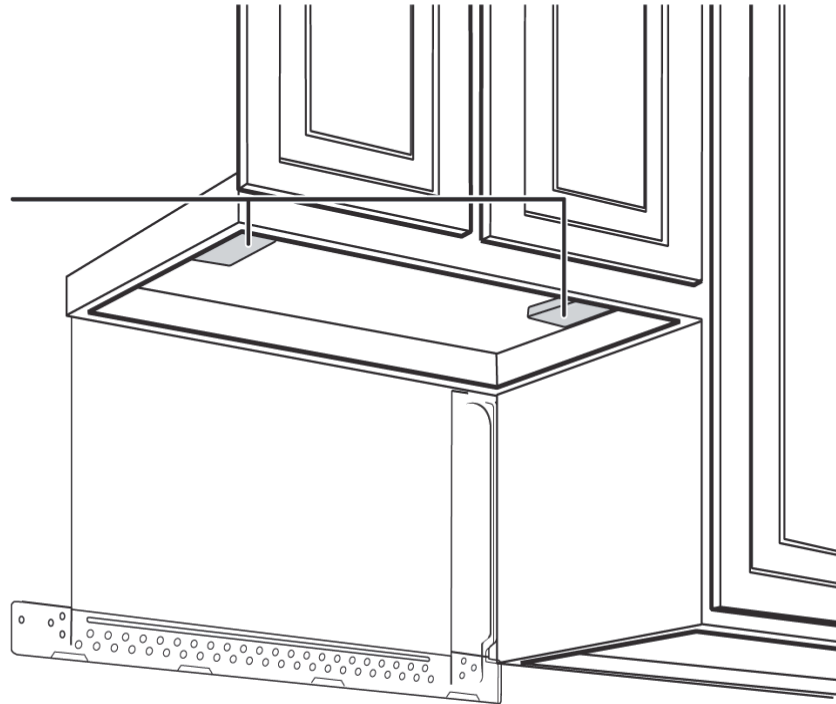
Wear safety goggles when drilling holes in the cabinet bottom.

- 6 Tape the template to the bottom of the cabinet.
- 7 Drill 1/2" holes through the template at points **A**, **B**, and **C**.
 - 8 Cut a 2" diameter hole at point **D** for the power cord.
 - 9 Cut out the shaded area **G** through the cabinet bottom.

10 If you have recessed cabinets:

- Make two filler blocks out of scrap wood pieces the size of shaded areas **H**. They must be as thick as the depth of the cabinet recess.
- Drill 5/8" holes in the filler blocks to align with points **A** and **B**.

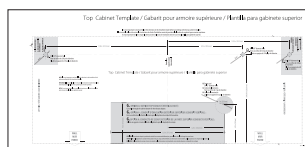
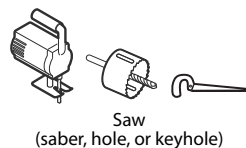
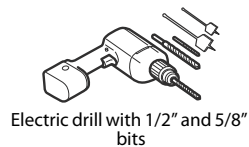
Filler blocks



- Align the blocks with the corresponding holes in the cabinet. They should be at the same level as the bottom edge of the cabinet frame.

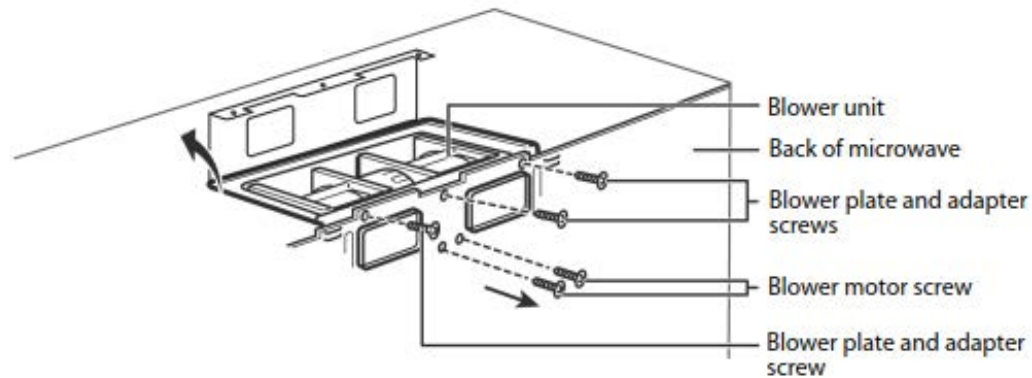
11 Remove the template.

You'll need:



Step 6: Option A - Adapt the microwave blower for outside top exhaust

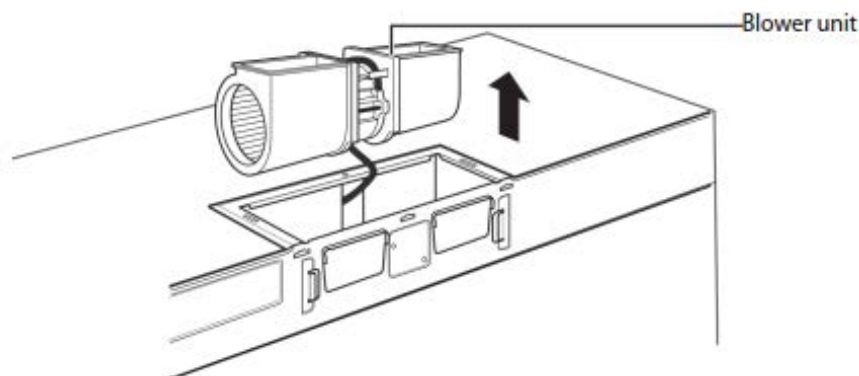
- 1 Remove and save the five screws that hold the blower unit in the microwave.



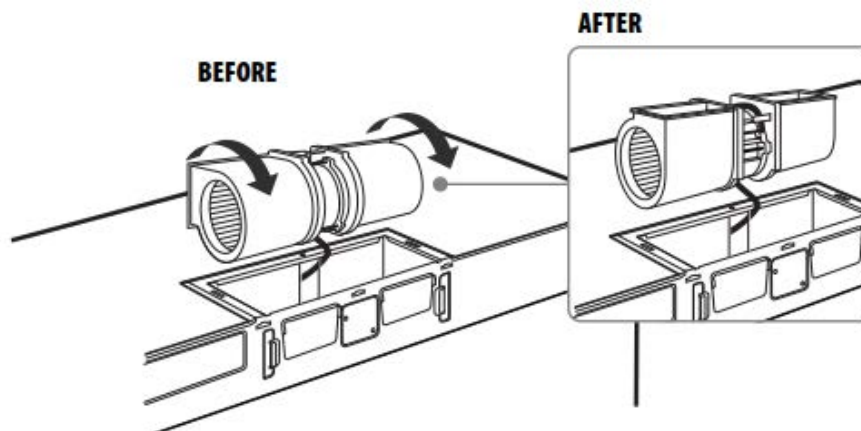
- 2 Carefully pull out the blower unit. The wires will extend far enough to let you adjust the blower unit. Do not disconnect the wires.

Warning

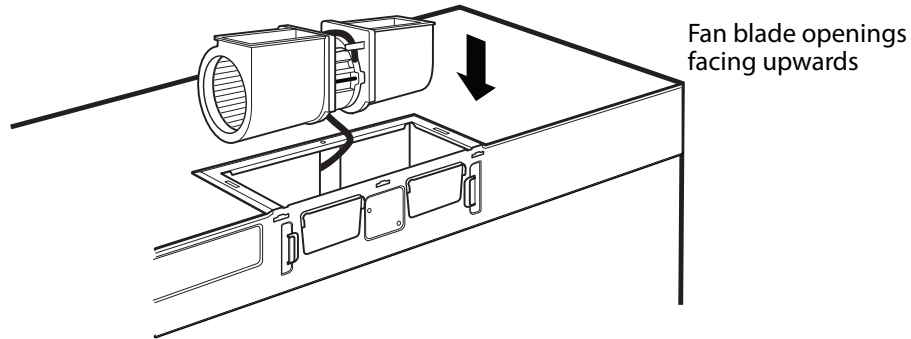
Do not pull or stretch the blower unit wiring. Make sure that the wires are not pinched.



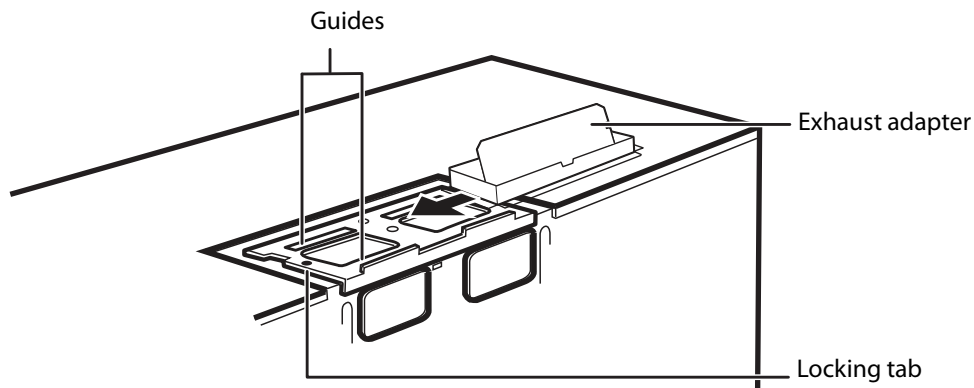
- 3 Turn the blower unit 90° so that the fan blade openings are facing out the top of the microwave.



4 Place the blower unit back into the opening. The blower unit exhaust openings should face upwards.



5 Slide the exhaust adapter into the guides on the top of the microwave until it is in the locking tabs.

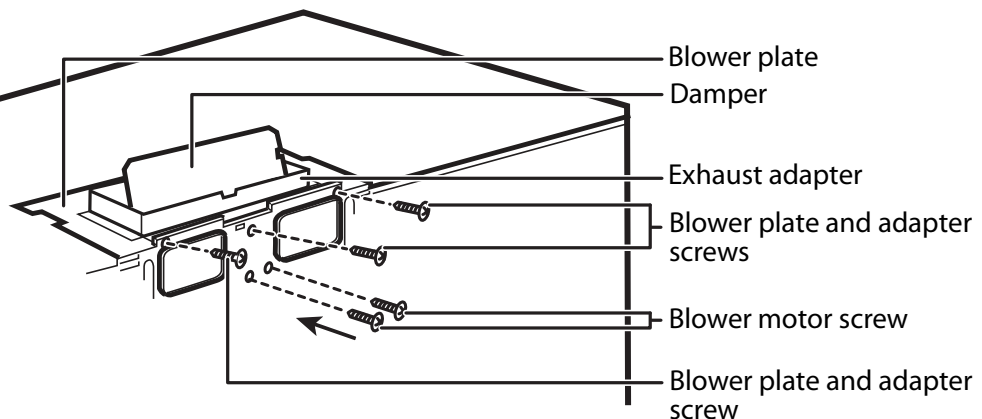


6 Secure the blower unit in the microwave with five of the screws you previously removed.

Note

Make sure that the damper hinge is at the top and that it can swing freely.

You'll need:



Step 7: Option A - Mount the microwave

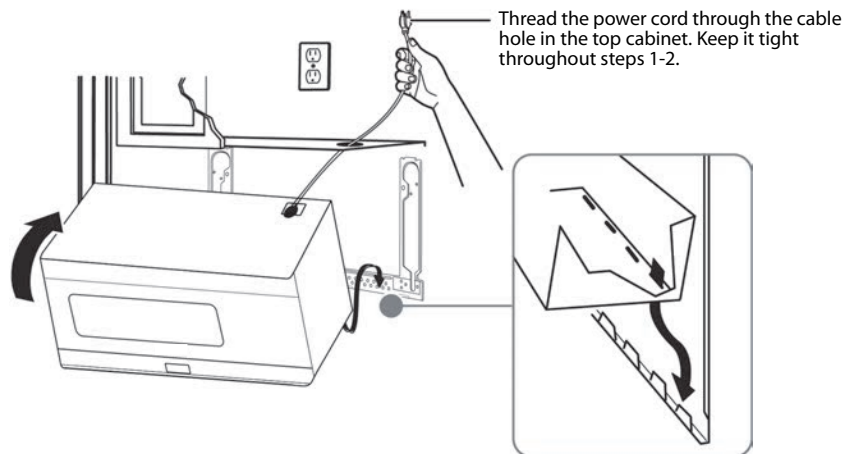
CAUTION

- For easier installation and personal safety, we recommend that two people install this microwave oven.
- Do not grip or use the handle during installation.
- To keep the power cord tight while mounting the microwave oven, thread the power cord through the hole in the bottom of the cabinet.

- 1 If your cabinet is metal, insert the nylon grommet into the power cord hole to prevent cutting the cord.
- 2 Lift the microwave, tilt it forward, and hook the slots on the back bottom edge onto the four lower tabs of the mounting plate. Rotate the front of the microwave up against the bottom of the cabinet.

Note

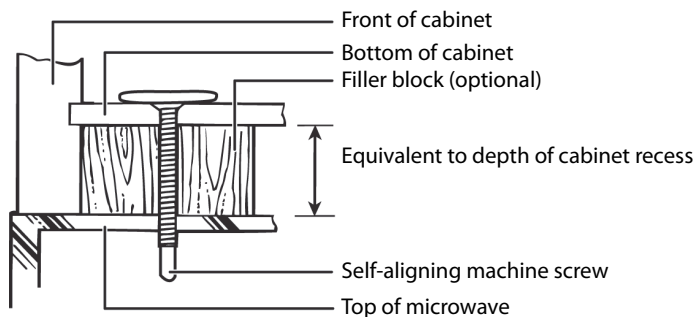
- We recommend using filler blocks if the front of the cabinet hangs below the cabinet's bottom shelf.
- If filler blocks are not used, damage may occur from over-tightening the screws.



- 3 To temporarily hold the microwave in place, insert a self-aligning machine screw through the top-center cabinet hole and rotate the screw **at least two full turns** (it will be fully tightened later).

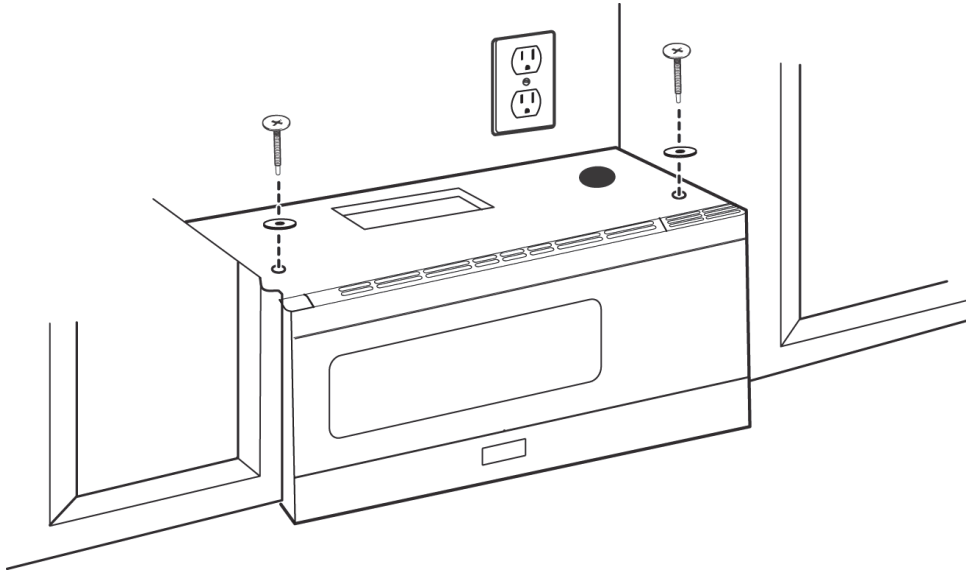
CAUTION

Be sure to keep the power cord tight. Do not pinch the cord, especially when mounting flush to the bottom of the cabinet.

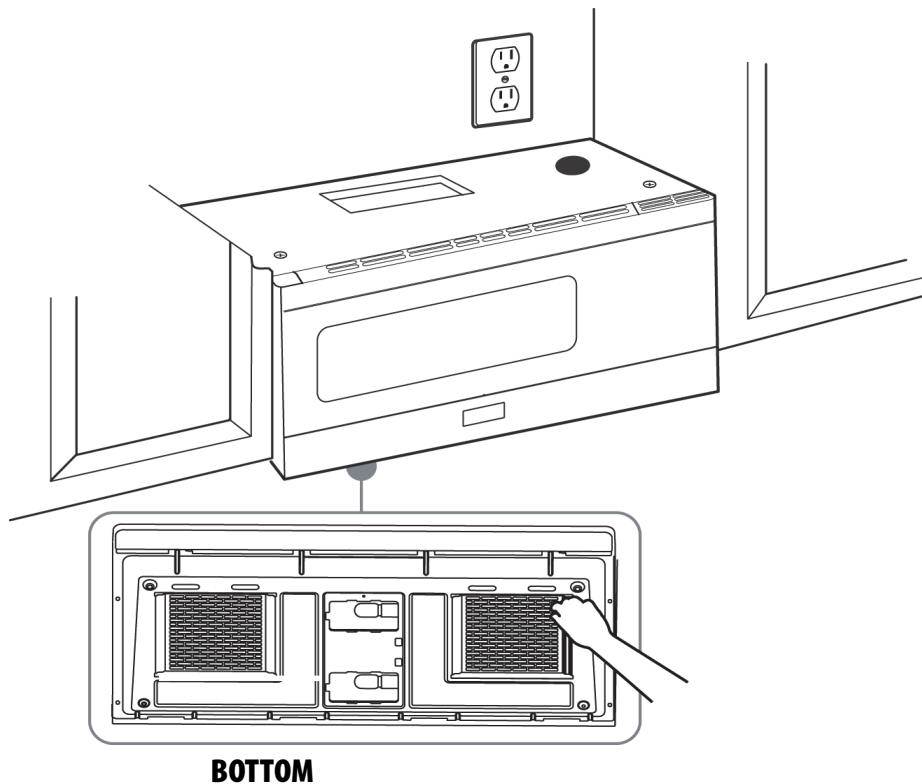


- 4 To attach the microwave oven to the top cabinet, insert two self-aligning machine screws through the holes you drilled in the bottom of the cabinet. Turn each screw at least two full turns (they will be fully tightened later).


- 5 While holding the microwave up against the wall and cabinet, fully tighten the top-center machine screw, then fully tighten the outer two screws.



- 6 Fit the two grease filters into the openings underneath your microwave.



You'll need:


Nylon grommet
(for metal cabinets)

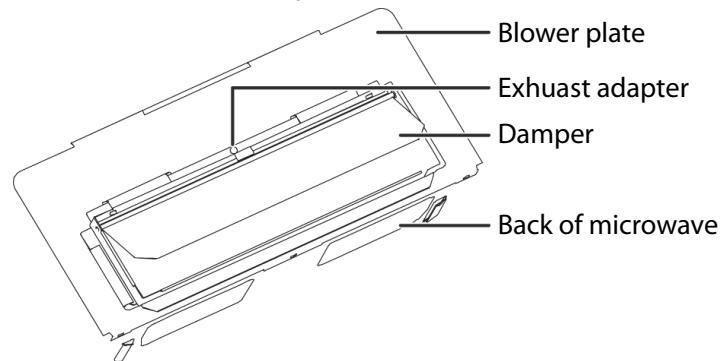

Self-aligning machine
screws


Grease filters

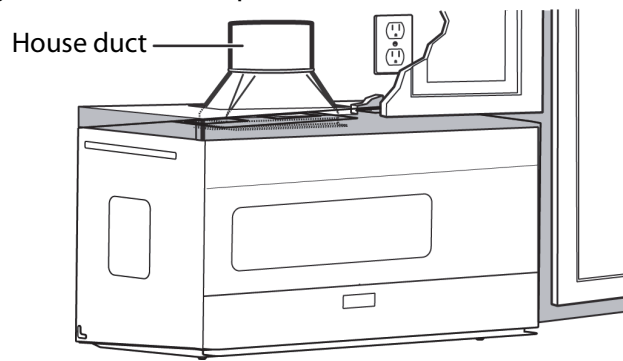

Phillips screwdrivers

Step 8: Option A - Connecting ductwork

- 1 Open the cabinet and slide the exhaust adapter front-to-back or side-to-side to adjust.

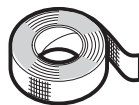


- 2 Extend the house duct down to connect to the exhaust adapter.
- 3 Seal the exhaust duct joints with duct tape.



- 4 You're finished! Skip to "Before using your microwave" on page 40.

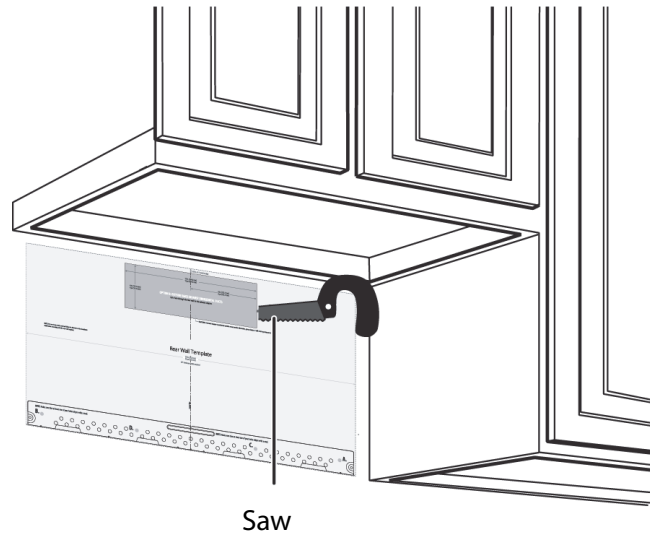
You'll need:



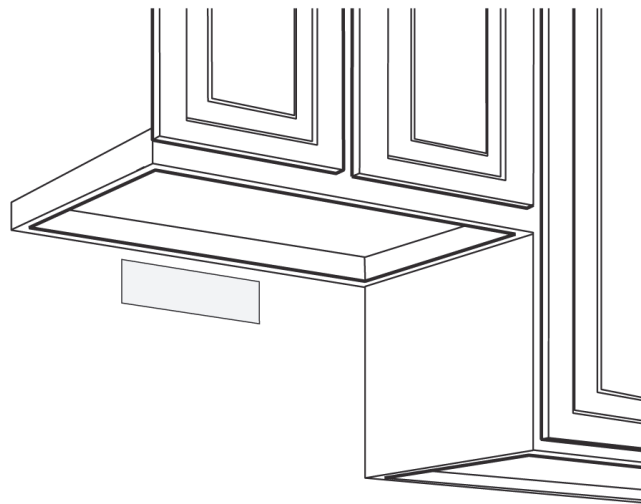
Duct tape

Step 4: Option B - Cutting a vent opening

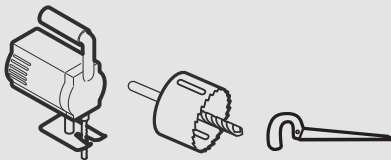
- 1 Use a saber or keyhole saw to cut out the shaded area through the rear wall.



- 2 Remove the rear wall template.

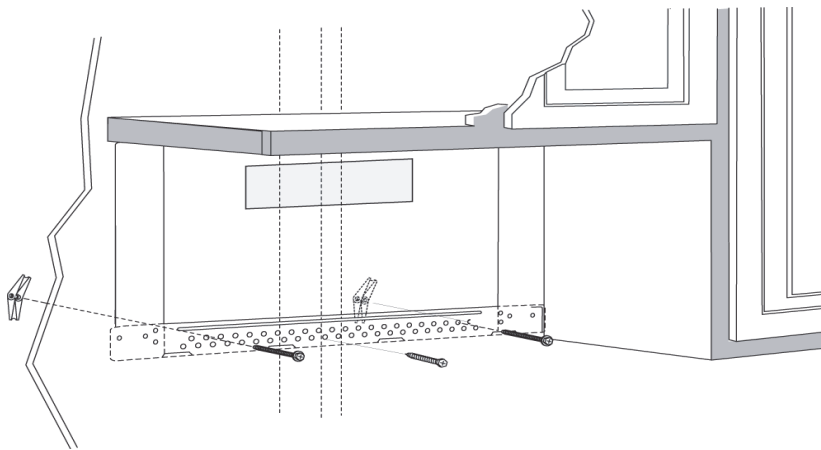


You'll need:



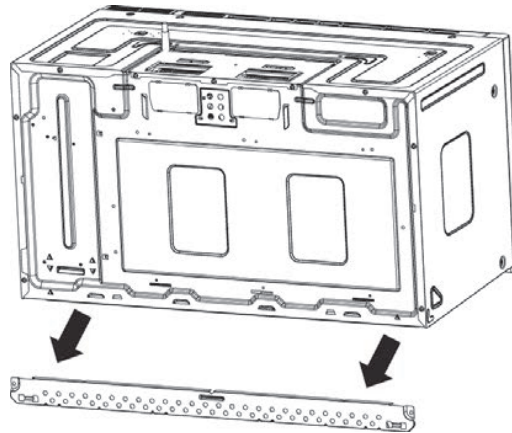
Saw
(saber, hole, or keyhole)

Step 5: Option B - Attach the mounting plate to the wall



Note: Depending on your stud locations, your installation may look different. You should insert toggle bolts into drywall and wood screws into studs.

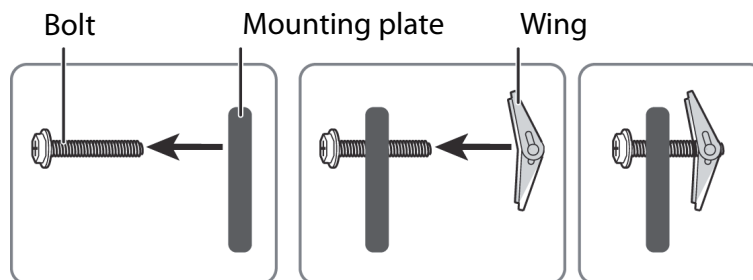
- 1 Remove the rear wall template.
- 2 Remove the mounting plate from the back of your microwave using a Phillips screwdriver.



- 3 Insert the toggle bolt(s) through the front of the mounting plate into the hole(s) that are not going into a stud, and then attach the toggle wings $\frac{3}{4}$ " onto each bolt. Hold your mounting plate up to holes in your wall to identify the correct position.

Note

The top of the mounting plate is indicated with an arrow. The mounting plate's hooks are on the front.

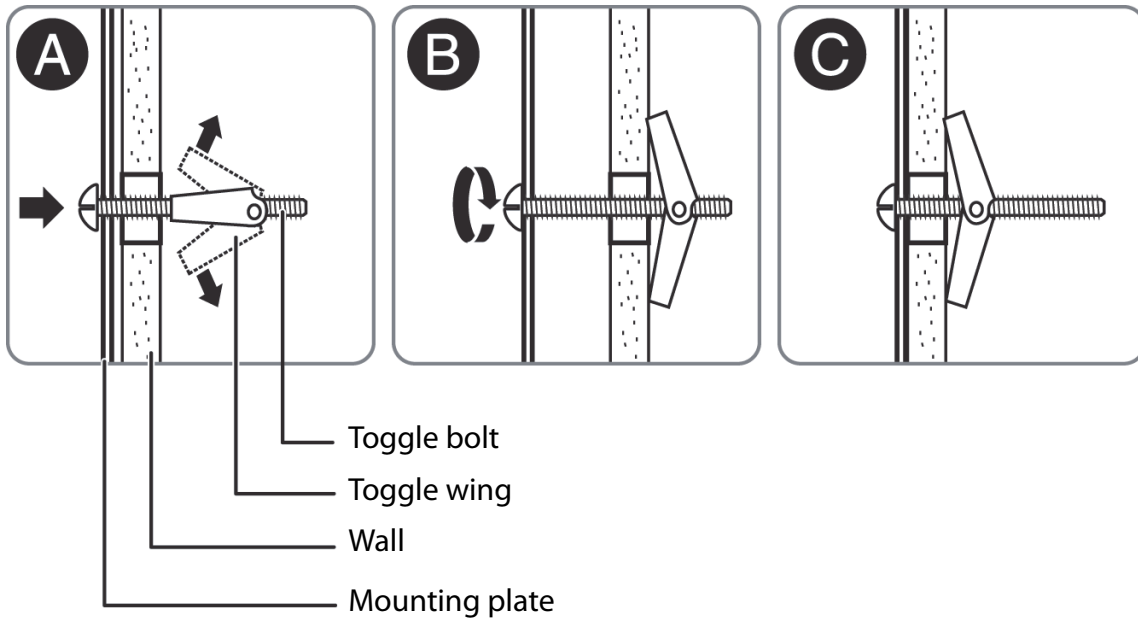


- 4 Place the mounting plate against the wall and insert the toggle wings into the holes you drilled in the drywall. Pull the mounting plate away from the wall to help tighten the toggle wings.

- 5 Insert wood screw(s) through the mounting plate and into the hole(s) drilled in the stud(s), then tighten both the wood screw(s) and toggle bolt(s) with a Phillips screwdriver to mount the plate. Make sure that the plate is centered before tightening fully.

Caution

Be careful to avoid pinching your fingers between the back of the mounting plate and the wall.



You'll need:



Mounting plate (Qty. 1)
(ships attached to microwave)

Step 6: Option B - Preparing the top cabinet

You need to drill holes for the top support screws and a hole large enough for the power cord to fit through.

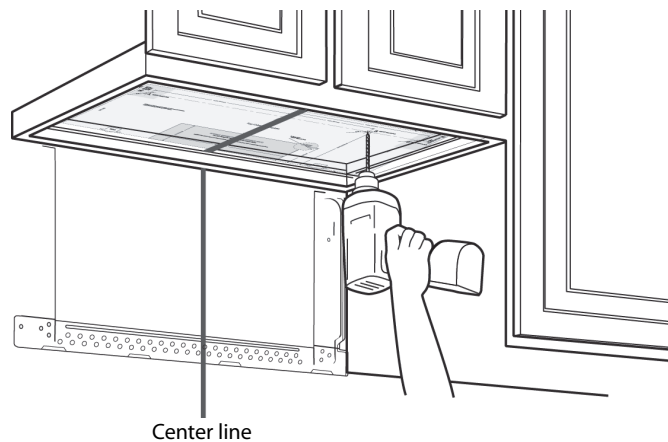
- 1 Turn off the power to the outlet in the cabinet.
- 2 Remove everything from the cabinet.
- 3 Trim the *Top Cabinet Template* along the dotted line.
- 4 If the bottom of your cabinet is recessed and the template is too large, trim the edges to fit. Your template should fit snugly inside the space with no overhang.

Note

- Make sure that you keep the left and right sides even. For example, if you need to trim the sides by 1", cut 1/2" from the left side and 1/2" from the right side.
- Some cabinets have a small bracket or glue block between the overhang and the underside of the cabinet bottom. Cut the template to fit around these so it lies flat on the bottom of the cabinet.

5 To position the *Top Cabinet Template*:

- Align the center line on the template with the center line that you drew on the wall.
- Align the back edge of the template to the rear wall (smooth or flat bottom cabinets) or to the back of the recess (recessed cabinets) to make sure that the holes cut into the upper cabinet align with the holes in the top of the microwave.



- 6 Tape the template to the bottom of the cabinet.
- 7 Drill 1/2" holes through the template at points **A**, **B**, and **C**.

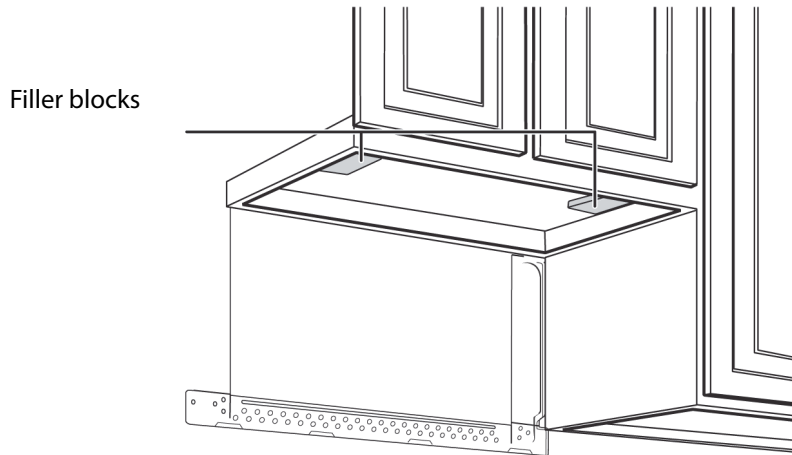
CAUTION

Wear safety goggles when drilling holes in the cabinet bottom.

- 8 Cut a 2" diameter hole at point **D** for the power cord.

9 If you have recessed cabinets:

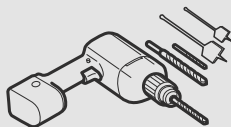
- Make two filler blocks out of scrap wood pieces the size of shaded areas **H**. They must be as thick as the depth of the cabinet recess.
- Drill 5/8" holes in the filler blocks to align with points **A** and **B**.



- Align the blocks with the corresponding holes in the cabinet. They should be at the same level as the bottom edge of the cabinet frame.

10 Remove the template.

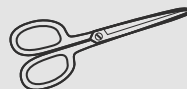
You'll need:



Electric drill with 1/2" and 5/8" bits



Duct tape



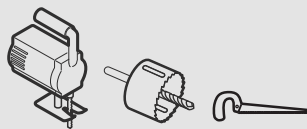
Scissors
(recessed cabinets only)



Safety goggles



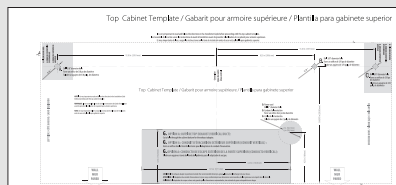
Ruler or tape measure



Saw
(saber, hole, or keyhole)



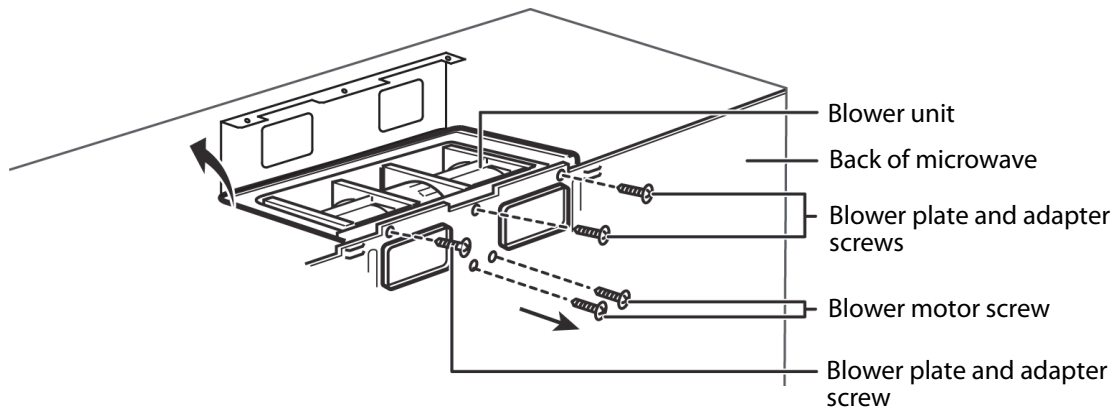
Filler blocks or scrap wood pieces
(for recessed cabinets only)



Top Cabinet Template

Step 7: Option B - Adapt the microwave blower for outside back exhaust

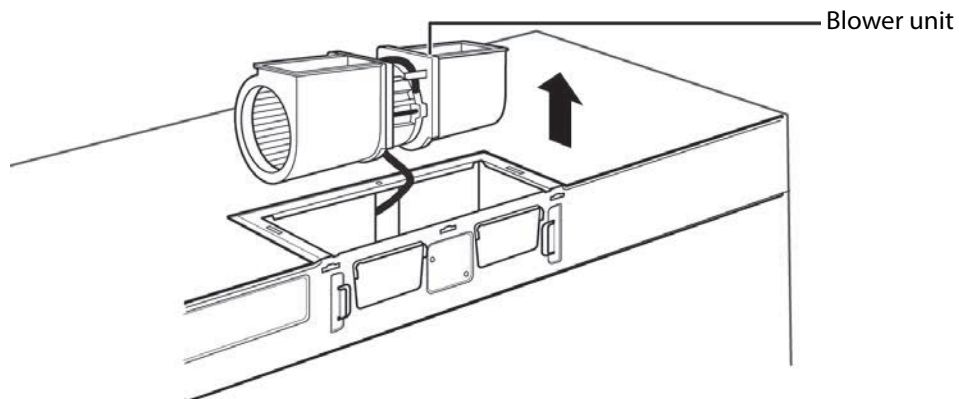
- 1 Remove and save the five screws that hold the blower unit in the microwave.



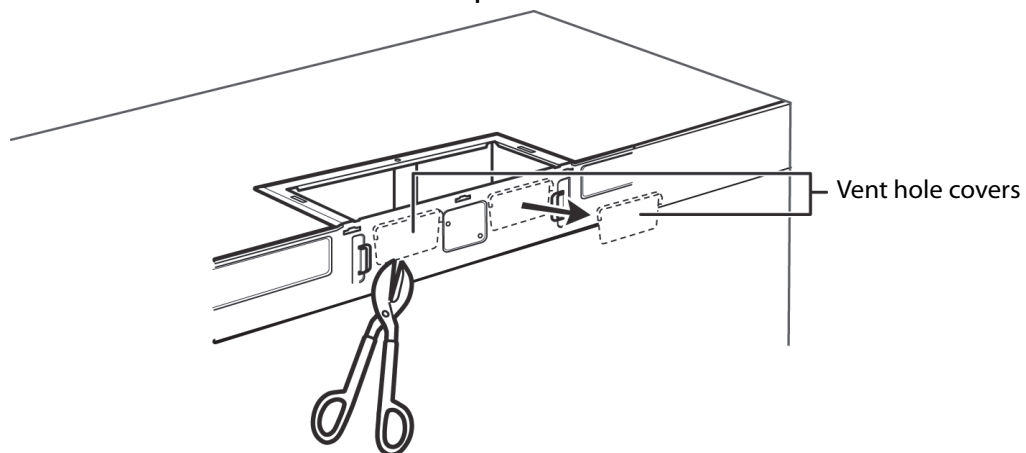
- 2 Carefully pull out the blower unit. The wires will extend far enough to let you adjust the blower unit. Do not disconnect the wires.

Warning

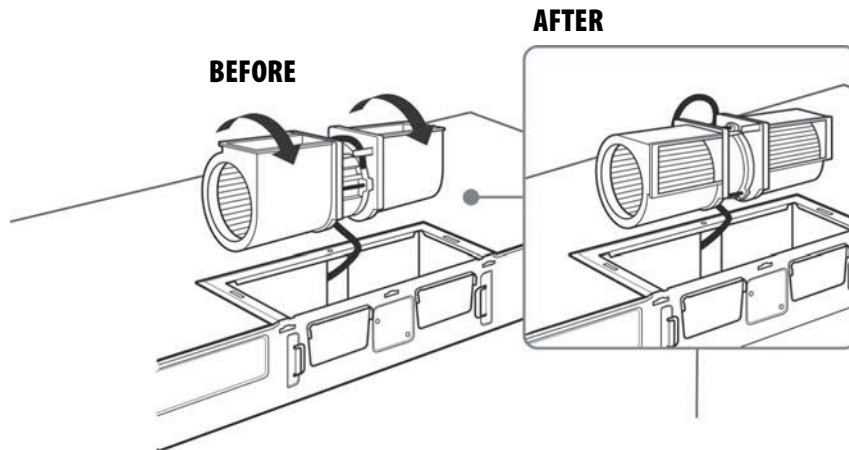
Do not pull or stretch the blower unit wiring. Make sure that the wires are not pinched.



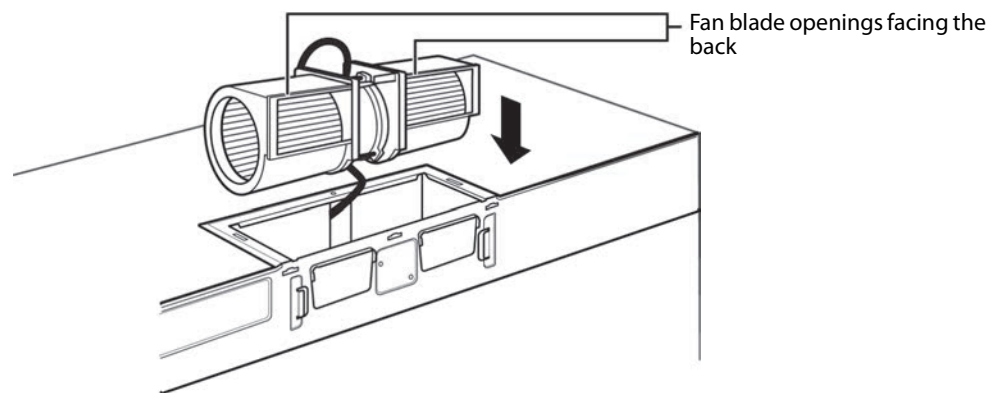
- 3 Cut out the vent holes with tin snips.



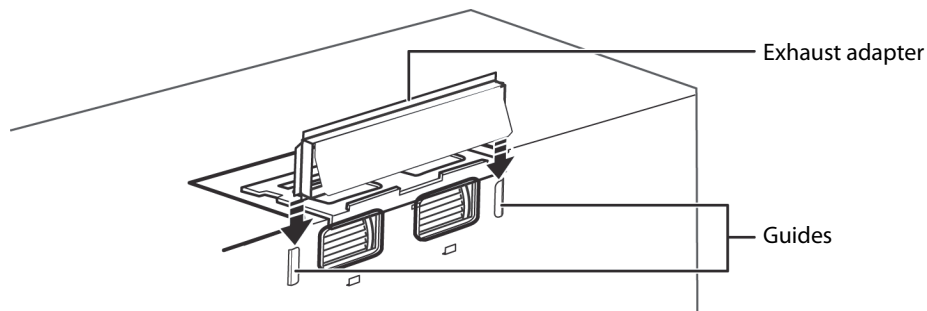
- Turn the blower unit 180° so that the fan blade openings are facing out the back of the microwave.



- Place the blower unit back into the opening. The blower unit exhaust openings should match the exhaust openings on back of the microwave.



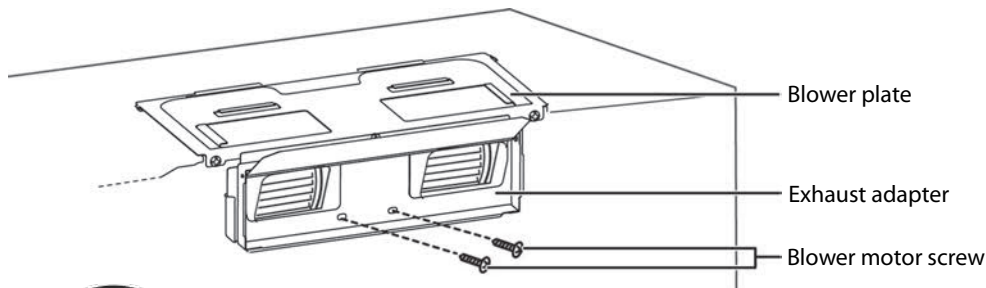
- Slide the exhaust adapter into the guides on the back of the microwave and push in until it is aligned with the blower motor screw holes, then secure with the blower motor screws.



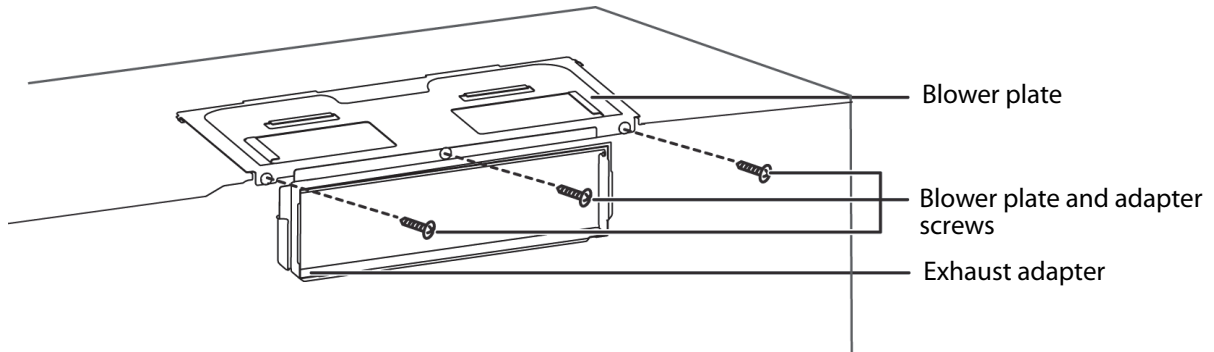
- Secure the blower unit in the microwave with two of the screws you previously removed.

Note

Make sure that the damper hinge is at the top and that it can swing freely.



8 Secure the blower plate and exhaust adapter with the remaining screws you removed previously.



You'll need:



Phillips screwdrivers



Tin snips

Step 8: Option B - Mount the microwave

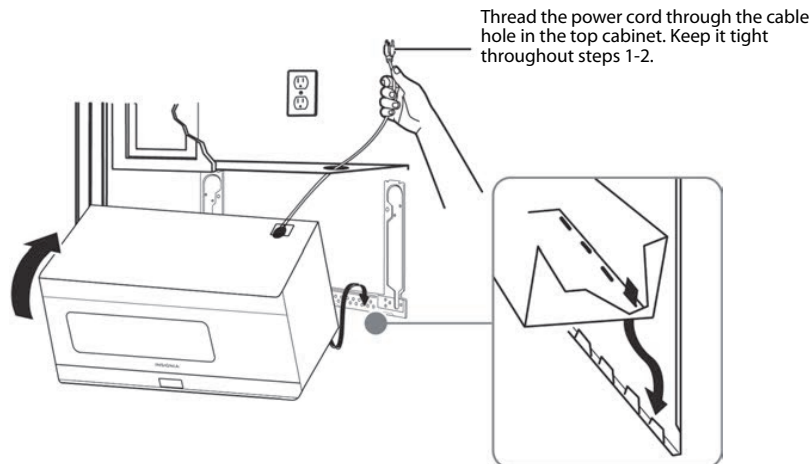
CAUTION

- For easier installation and personal safety, we recommend that two people install this microwave oven.
- Do not grip or use the handle during installation.
- To keep the power cord tight while mounting the microwave oven, thread the power cord through the hole in the bottom of the top cabinet.

- 1 If your cabinet is metal, insert the nylon grommet into the power cord hole to prevent cutting the cord.
- 2 Lift the microwave, tilt it forward, and hook the slots on the back bottom edge onto the four lower tabs of the mounting plate. Rotate the front of the microwave up against the bottom of the cabinet.

Note

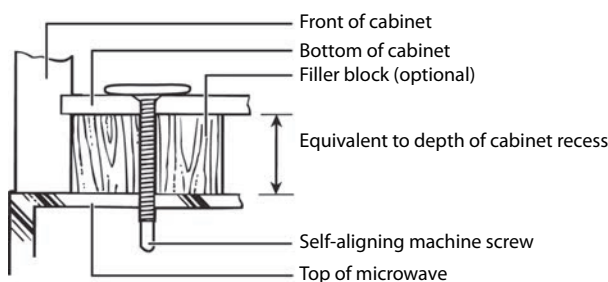
- We recommend using filler blocks if the front of the cabinet hangs below the cabinet's bottom shelf.
- If filler blocks are not used, damage may occur from over-tightening the screws.



- 3 To temporarily hold the microwave in place, insert a self-aligning machine screw through the top-center cabinet hole and rotate the screw **at least two full turns** (it will be fully tightened later).

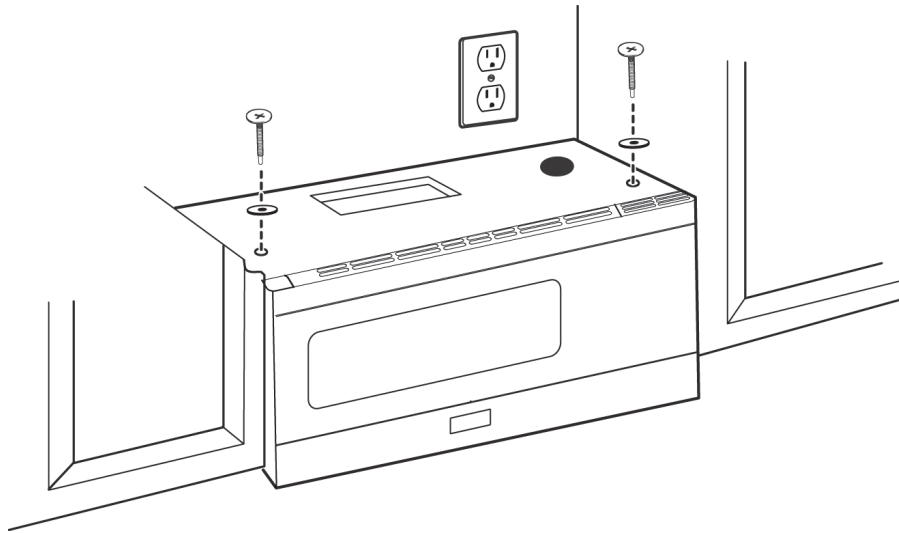
CAUTION

Be sure to keep the power cord tight. Do not pinch the cord, especially when mounting flush to the bottom of the cabinet.

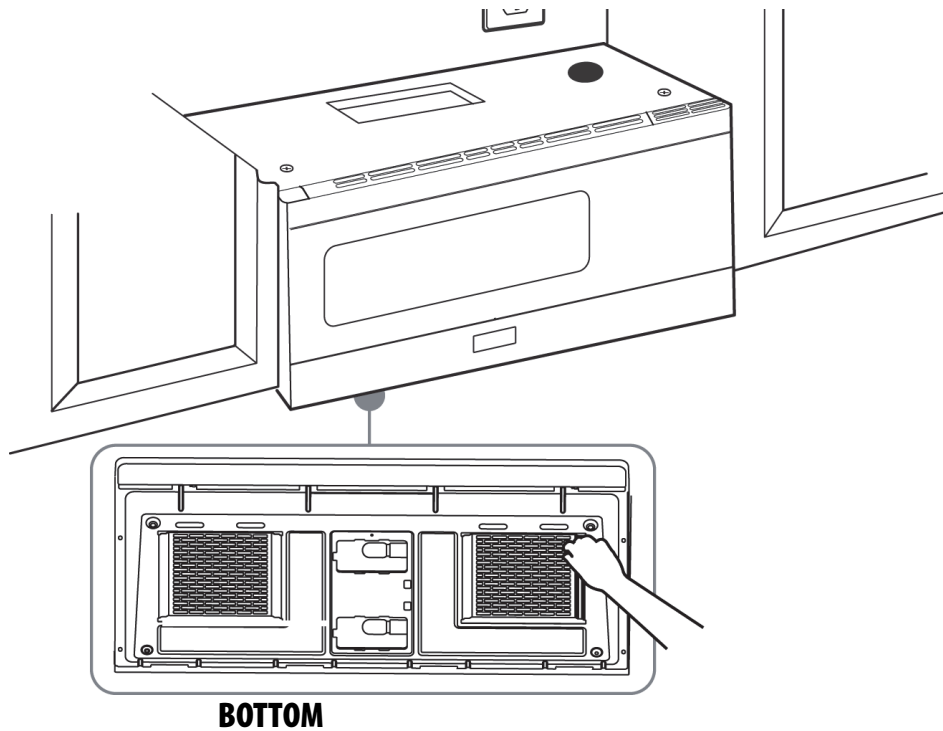


- 4 To attach the microwave oven to the top cabinet, insert two self-aligning machine screws through the holes you drilled in the bottom of the cabinet. Turn each screw at least two full turns (they will be fully tightened later).

- 5 While holding the microwave up against the wall and cabinet, fully tighten the top-center machine screw, then fully tighten the outer two screws.

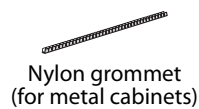


- 6 Fit the two grease filters into the openings underneath your microwave.



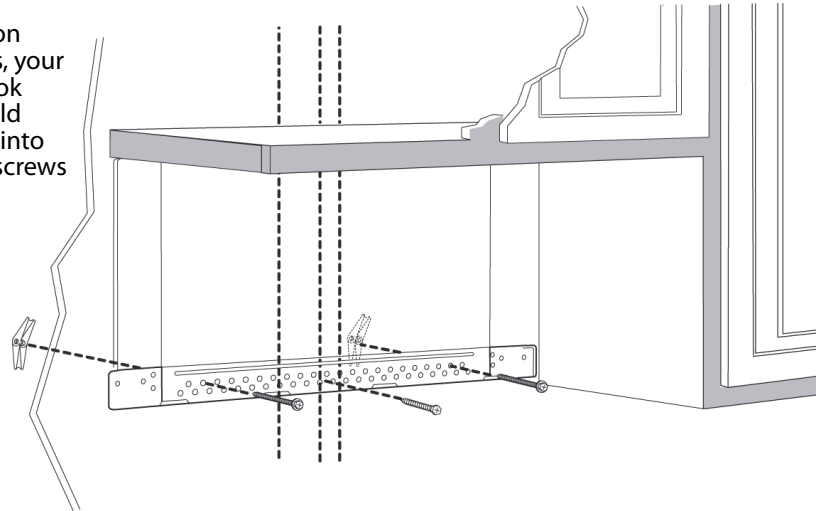
- 7 You're finished! See "Before using your microwave" on page 40

You'll need:

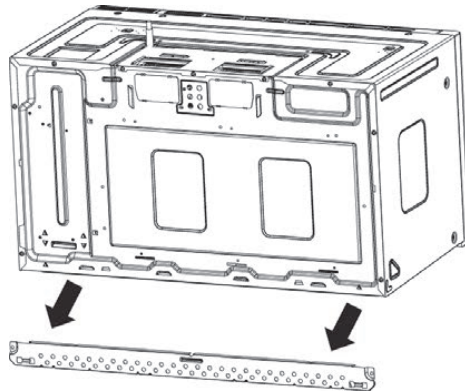


Step 4: Option C - Attach the mounting plate to the wall

Note: Depending on your stud locations, your installation may look different. You should insert toggle bolts into drywall and wood screws into studs.



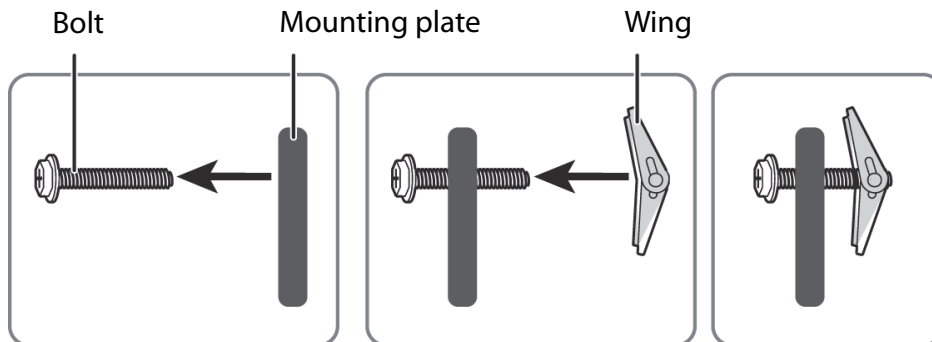
- 1 Remove the rear wall template.
- 2 Remove the mounting plate from the back of your microwave using a Phillips screwdriver.



- 3 Insert the toggle bolt(s) through the front of the mounting plate into the hole(s) that are not going into a stud, and then attach the toggle wings $\frac{3}{4}$ " onto each bolt. Hold your mounting plate up to holes in your wall to identify the correct position.

Note

The top of the mounting plate is indicated with an arrow. The mounting plate's hooks are on the front.

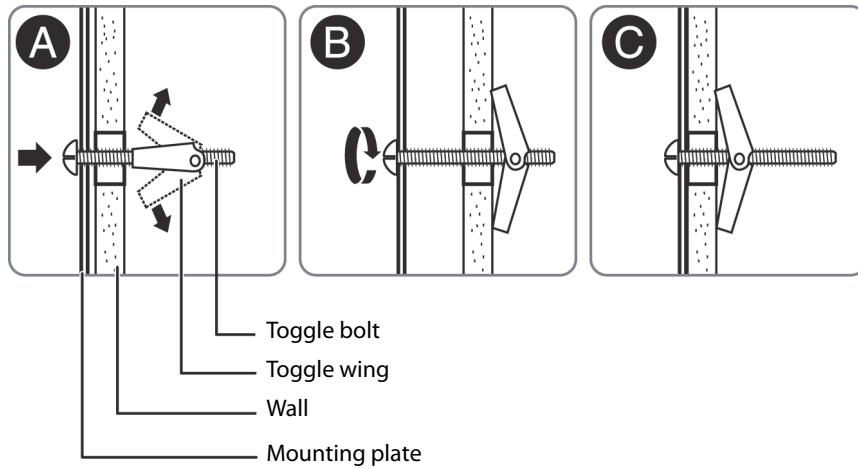


- 4 Place the mounting plate against the wall and insert the toggle wings into the holes you drilled in the drywall. Pull the mounting plate away from the wall to help tighten the toggle wings.

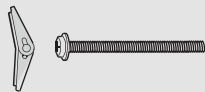
- 5 Insert wood screw(s) through the mounting plate and into the hole(s) drilled in the stud(s), then tighten both the wood screw(s) and toggle bolt(s) with a Phillips screwdriver to mount the plate. Make sure that the plate is centered before tightening fully.

Caution

Be careful to avoid pinching your fingers between the back of the mounting plate and the wall.



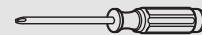
You'll need:



Toggle bolts



Wood screws



Phillips screwdrivers



Mounting plate (Qty. 1)
(ships attached to microwave)

Step 5: Option C - Preparing the top cabinet

You need to drill holes for the top support screws and a hole large enough for the power cord to fit through.

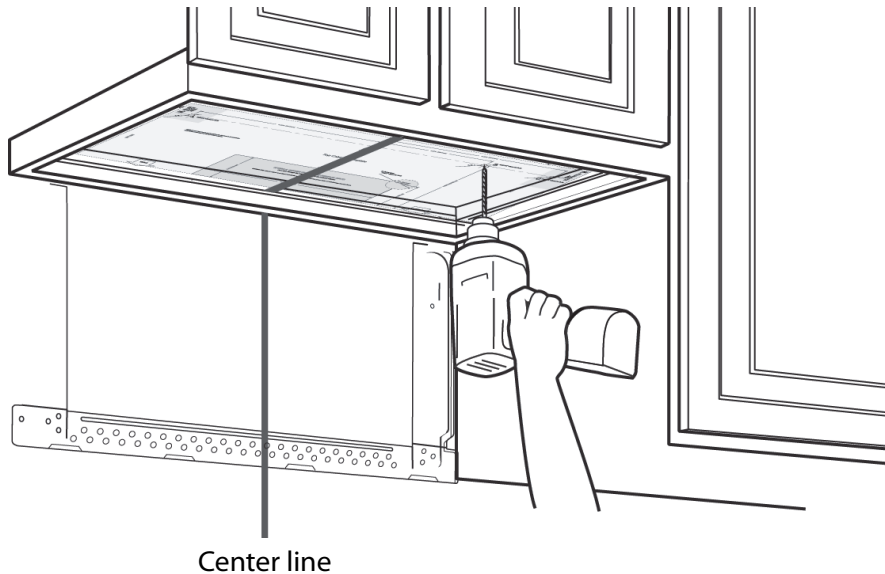
- 1 Turn off the power to the outlet in the cabinet.
- 2 Remove everything from the cabinet.
- 3 Trim the *Top Cabinet Template* along the dotted line.
- 4 If the bottom of your cabinet is recessed and the template is too large, trim the edges to fit. Your template should fit snugly inside the space with no overhang.

Note

- Make sure that you keep the left and right sides even. For example, if you need to trim the sides by 1", cut 1/2" from the left side and 1/2" from the right side.
- Some cabinets have a small bracket or glue block between the overhang and the underside of the cabinet bottom. Cut the template to fit around these so it lies flat on the bottom of the cabinet.

5 To position the *Top Cabinet Template*:

- Align the center line on the template with the center line that you drew on the wall.
- Align the back edge of the template to the rear wall (smooth or flat bottom cabinets) or to the back of the recess (recessed cabinets) to make sure that the holes cut into the upper cabinet align with the holes in the top of the microwave.



- 6 Tape the template to the bottom of the cabinet.
- 7 Drill 1/2" holes through the template at points **A**, **B**, and **C**.

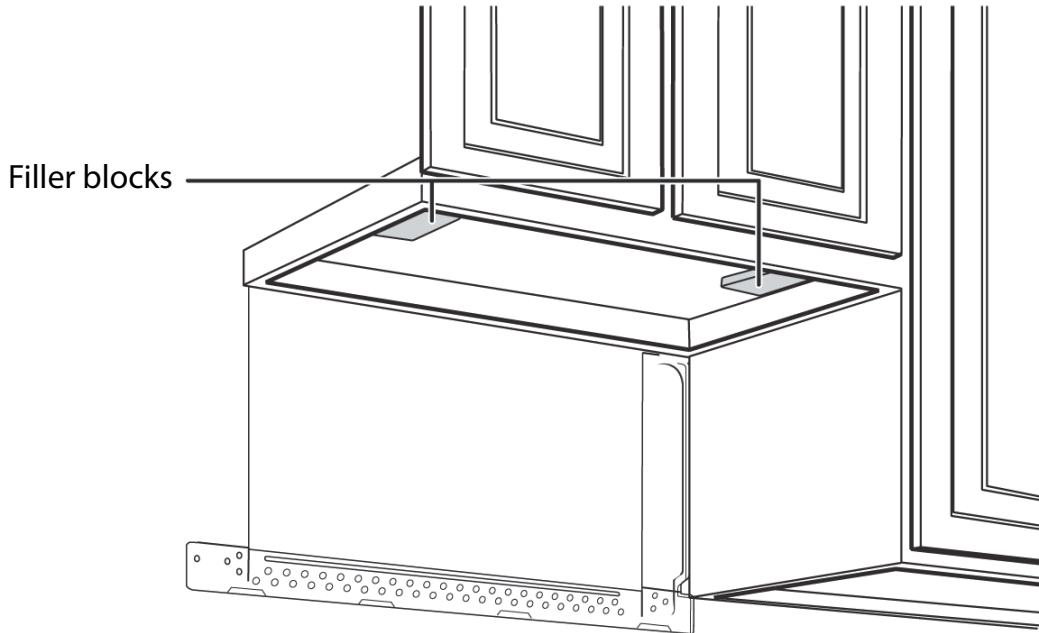
CAUTION

Wear safety goggles when drilling holes in the cabinet bottom.

- 8 Cut a 2" diameter hole at point **D** for the power cord.

9 If you have recessed cabinets:

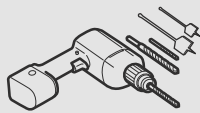
- Make two filler blocks out of scrap wood pieces the size of shaded areas **H**. They must be as thick as the depth of the cabinet recess.
- Drill 5/8" holes in the filler blocks to align with points **A** and **B**.



- Align the blocks with the corresponding holes in the cabinet. They should be at the same level as the bottom edge of the cabinet frame.

10 Remove the template.

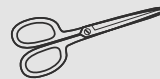
You'll need:



Electric drill with 1/2" and 5/8" bits



Duct tape



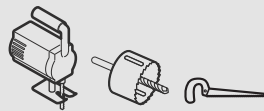
Scissors
(recessed cabinets only)



Safety goggles



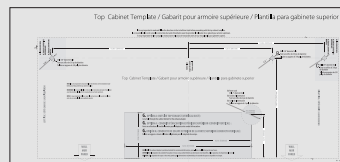
Ruler or tape measure



Saw
(saber, hole, or keyhole)



Filler blocks or scrap wood pieces
(for recessed cabinets only)



Top Cabinet Template

Step 6: Option C - Mount the microwave

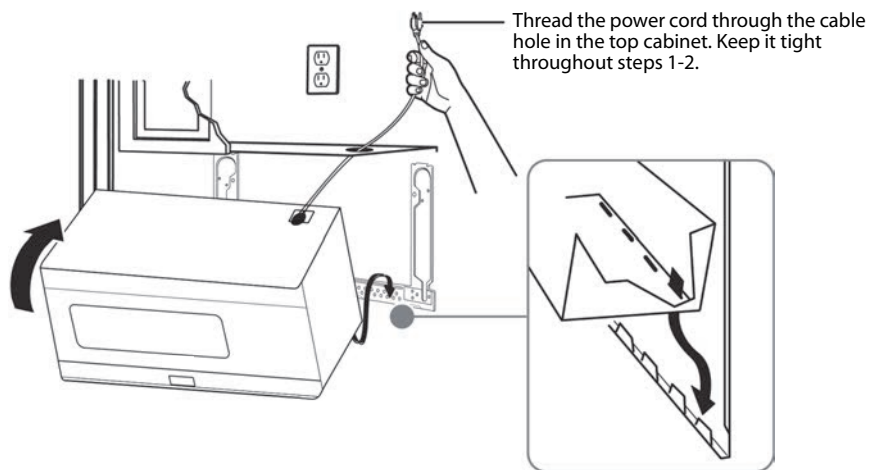
CAUTION

- For easier installation and personal safety, we recommend that two people install this microwave oven.
- Do not grip or use the handle during installation.
- To keep the power cord tight while mounting the microwave oven, thread the power cord through the hole in bottom of the top cabinet.

- 1 If your cabinet is metal, insert the nylon grommet into the power cord hole to prevent cutting the cord.
- 2 Lift the microwave, tilt it forward, and hook the slots on the back bottom edge onto the four lower tabs of the mounting plate. Rotate the front of the microwave up against the bottom of the cabinet.

Note

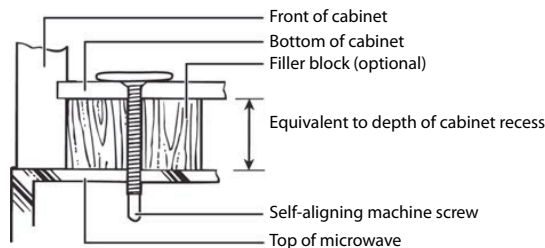
- We recommend using filler blocks if the front of the cabinet hangs below the cabinet's bottom shelf.
- If filler blocks are not used, damage may occur from over-tightening the screws.



- 3 To temporarily hold the microwave in place, insert a self-aligning machine screw through the top-center cabinet hole and rotate the screw **at least two full turns** (it will be fully tightened later).

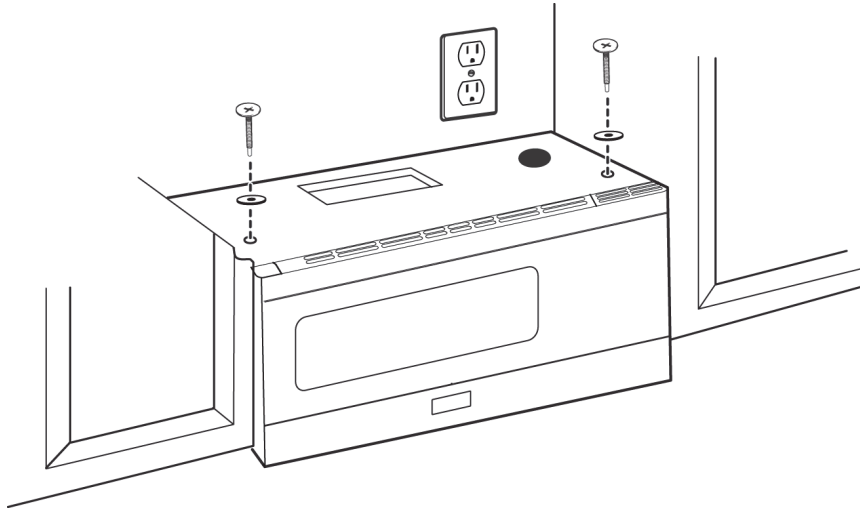
CAUTION

Be sure to keep the power cord tight. Do not pinch the cord, especially when mounting flush to the bottom of the cabinet.

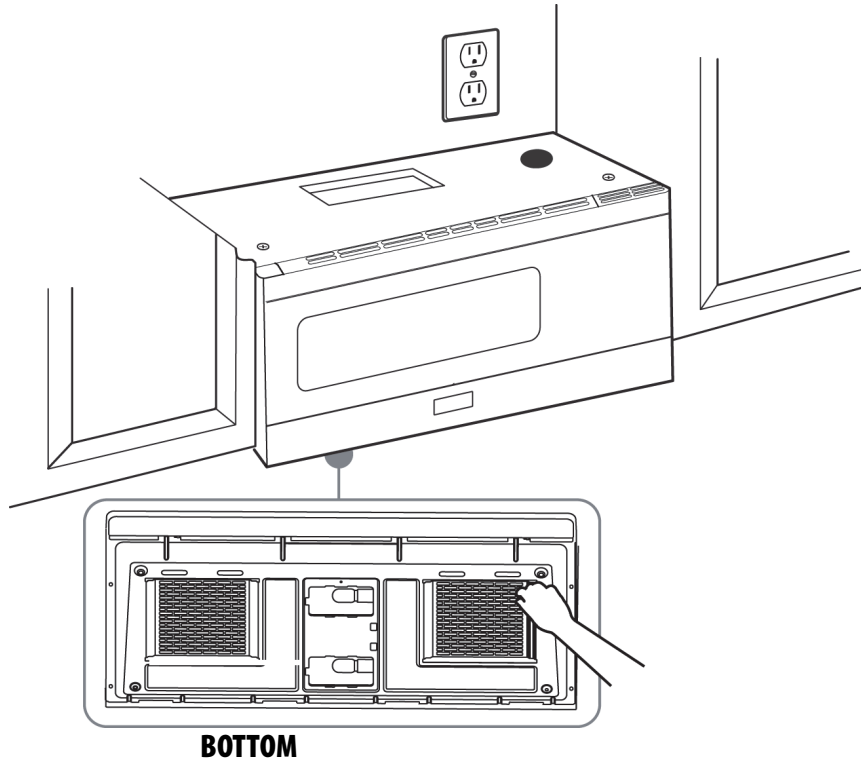


- 4 To attach the microwave oven to the top cabinet, insert two self-aligning machine screws through the holes you drilled in the bottom of the cabinet. Turn each screw at least two full turns (they will be fully tightened later).

- 5 While holding the microwave up against the wall and cabinet, fully tighten the top-center machine screw, then fully tighten the outer two screws.

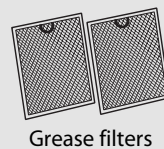


- 6 Fit the two grease filters into the openings underneath your microwave.



- 7 You're finished! Skip to "Before using your microwave" on page 40.

You'll need:



Before using your microwave

Note

Keep these installation instructions for the local inspector's use.

- 1 Make sure that all packing material has been removed from the microwave.
- 2 Install the turntable and ring inside your microwave. See your *User Guide* for more information.
- 3 Plug the power cord into a dedicated 20 amp electrical outlet.
- 4 Turn your circuit breaker back on.

Specifications

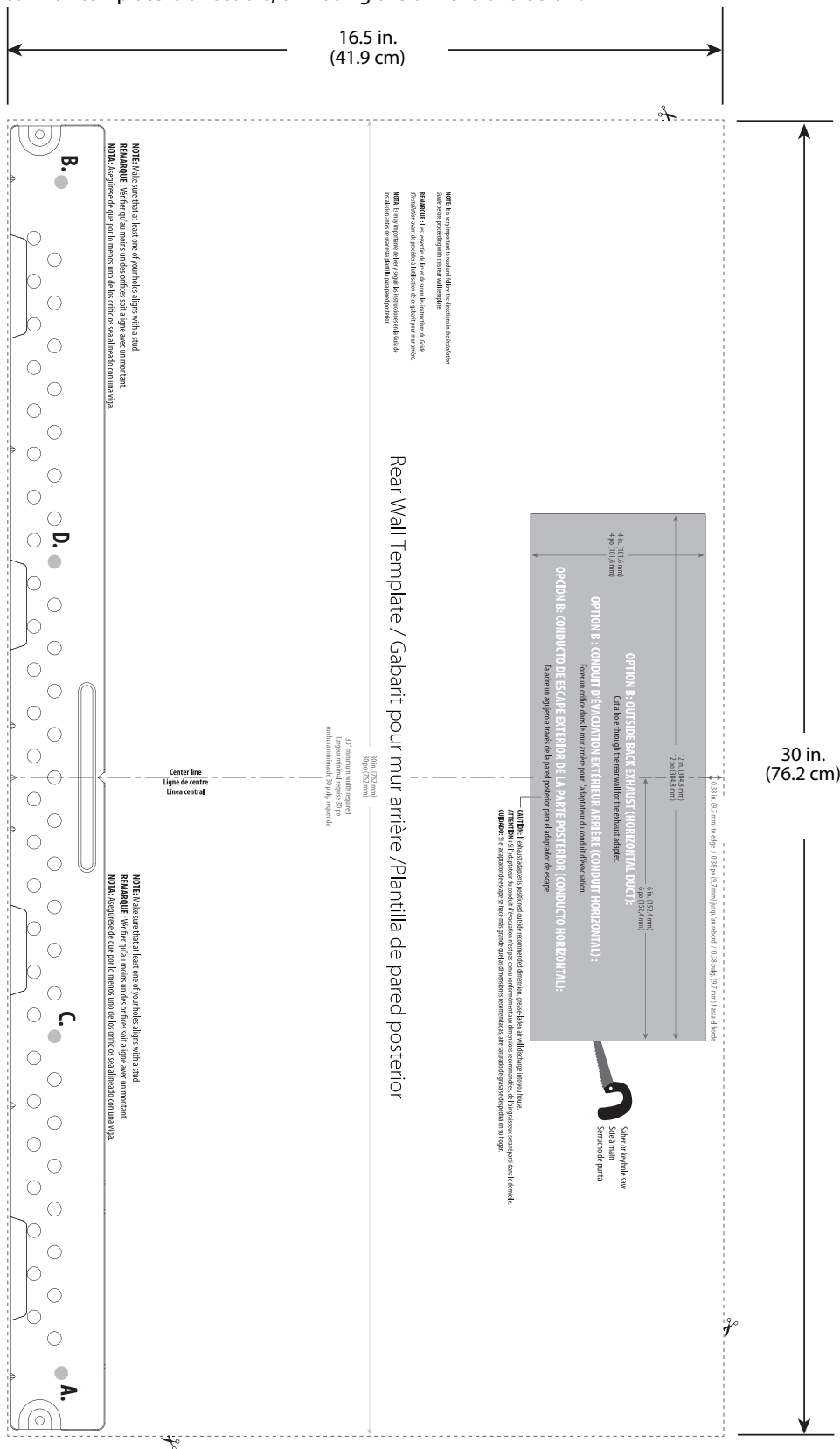
Model	EM044K6BB (BR-MW OH16-S)
Rated voltage	120V / 60 Hz
Rated input power	1550W
Rated output power	1000W
Microwave capacity	1.6 cu. ft.
Turntable diameter	13.5 in. (34.5 cm)
External dimensions (WxDxH)	31.3 x 15 x 16.4 in. (79.5 x 38.2 x 41.7 cm)
Internal dimensions (WxDxH)	20.24 x 14.41 x 9.25 (51.4 x 36.6 x 23.5 cm)
Certifications	UL approved
Power cord length	3.3 ft. (1 m)
Net weight	56 lbs. (25.4 kg)



Template dimensions

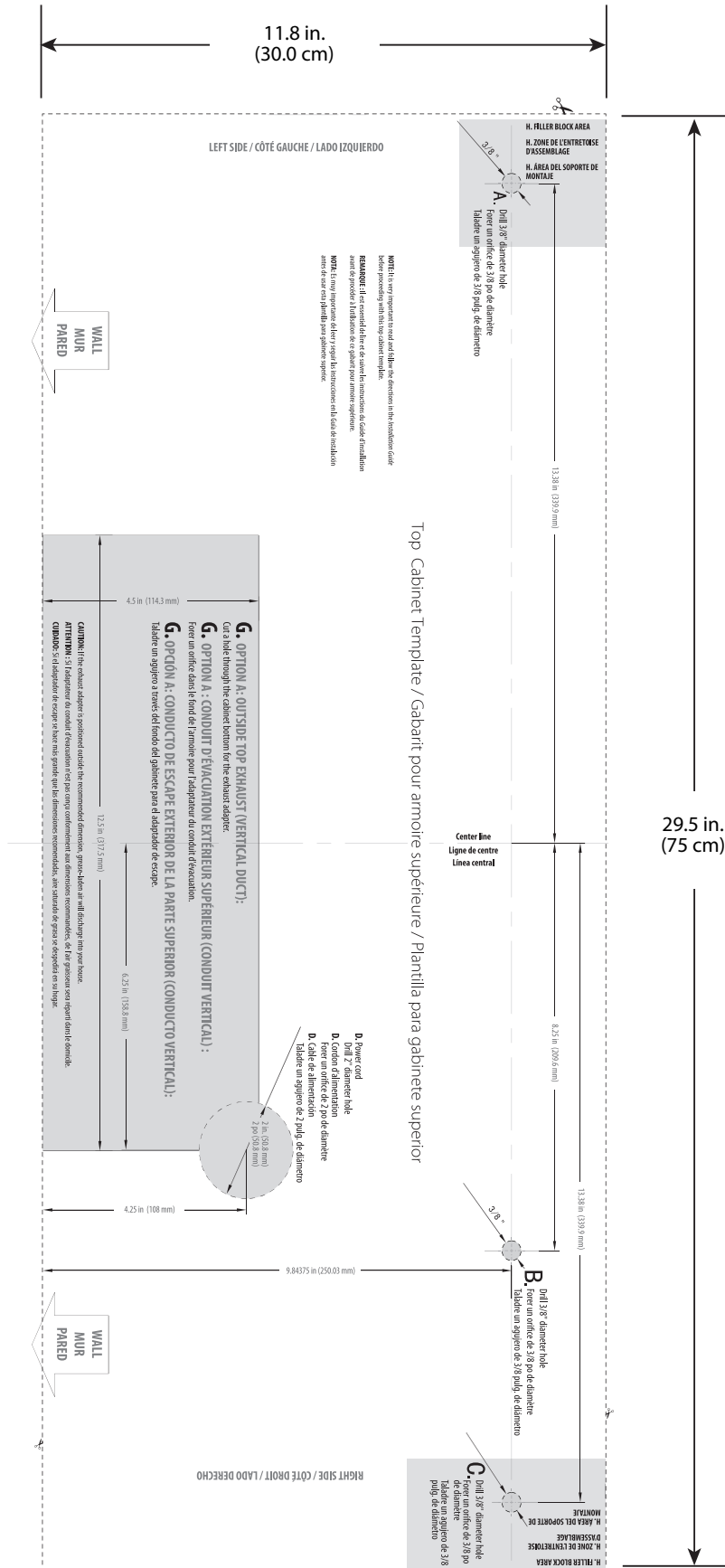
Rear wall template dimensions

If your rear wall template is unusable, drill using the dimensions below.



Top cabinet template dimensions

If your top cabinet template is unusable, drill/cut using the dimensions below.



TERMS & CONDITIONS

Shipping/Delivery fees are the responsibility of the Purchaser. Seller is not responsible for the carrier's missed/Non delivery for any reason. Delivery is curbside. Optional upgrades in delivery service is an additional fee. If upgraded delivery service cannot be performed properly, Purchaser agrees to accept delivery curbside and the difference in upgraded cost will not be refunded. If item with free shipping/freight is canceled in transit, a charge of 25% of the price of the unit/s plus freight costs both ways will be charged. All damages must be noted at time of delivery on BOL and Seller to be notified within 48 hours of delivery of such damage. Purchaser acknowledges if cancelation is authorized by Seller, a 35% restocking fee and freight both ways will be charged. No cancelation or refund on made-to- order products. If an order has been placed and production has not started, cancellation fee of 15% of total amount will be charged. Cancelled orders paid by Credit Card will have an additional fee of 3% deducted from the total refund. Refurbished units are sold as is. Purchaser assumes risks to the quality and performance of goods and assumes the costs of all necessary service or repair not covered herein.

(Box here for check mark) Accept Terms & Conditions

Vinotemp International Corp. ("Seller") and the person or entity that acquires these goods from Seller ("Purchaser") hereby fully agrees to the following terms and conditions of the sale: **Shipping/Delivery** fees are the responsibility of the Purchaser whether freight prepaid or freight collect. Seller assumes responsibility for the goods sold to the Purchaser until the goods have reached Purchaser's delivery address (FOB Destination) and the delivery receipt is signed clear. Seller is not responsible for the carrier's late delivery, missed delivery, unpaved roads, remote locations, stairs, elevators, narrow door openings and other such issues in attempting to fit or deliver the goods into the Purchaser's location. Delivery to remote locations may require additional fees. Remote location may be defined at the discretion of the carrier as more or less than 50 miles from the nearest major city. Purchaser assumes all responsibility for additional costs related to freight such as access, measurement, installation, hookup, wiring, moving and storage of the goods, flight of stairs, carrier's inability to safely and/or adequately deliver, inability to use the building elevator to lift the goods, narrow openings, along with any additional costs to deliver or redeliver the product properly. Make sure to review access to the property and size of the product ordered. The transportation of all goods is subject to the terms and conditions which the carrier imposes on Purchaser. Installation is the responsibility of the Purchaser. If white glove delivery was ordered and cannot be performed properly, or access is hindered in any way, Purchaser agrees to accept delivery curbside (delivery service cannot be refunded). If Purchaser will-calls or pays for their own freight responsibility transfers to the Purchaser when the Purchaser or Purchasers freight company picks up the unit from Seller. Freight quoted are either curbside, threshold or white glove. Standard white glove delivery is main floor, easy access and NO STAIRS, Doors, aligned feet attached (if necessary) and removal of packaging, additional fees for additional requests. Each service has a different rate and will require additional fees. If freight is not charged (Free Shipping or Freight Included) and the order is cancelled after shipping, a freight charge of 25% of the cost of the unit, each direction will be charged. Item swap outs are arranged as curbside delivery and pickup unless noted otherwise. There is no white glove service for returns. Approved returns must have original and/or proper packaging. Swap-outs (Delivery and Pick up are at the same time) Original unit must be packed and ready for carrier pick up at time of delivery of new unit. Packaging of old unit must be adequate for shipping, not oversized or on a pallet if unit was not originally delivered on a pallet. Carrier will not drop off new unit if the original unit is not ready. If the carrier has to make a second attempt, customer will be subject to additional charges for the attempted delivery and for any packaging issues. Deliveries include ONE attempt by the shipping company to deliver the product to the consumer. If

for any reason the customer is unavailable to accept the order and the product is undeliverable under any circumstances, the customer will be responsible for any extra shipping and handling charges.

We are a manufacturer not a shipping company, deliveries are done by a 3rd party service. Email us at info@vinotemp.com for a quote or any additional information. Freight discussed is Continental USA (excluding Alaska, Puerto Rico, Hawaii), cost is additional please email info@vinotemp.com for a quote.

California **Proposition 65** Warning: The products sold on this ecommerce website and to the public may contain chemicals and other substances known to the State of California to cause cancer and birth defects and other reproductive harm.

Totes made of vinyl, imitation leather, and/or leather material contain lead and/or other substances that are known to the State of California to cause cancer, birth defects and other reproductive harm. Microfiber "Plastic microfiber" means a small synthetic particle that is fibrous in shape, less than 5 millimeters in length, and is released into water through the regular washing of textiles made from synthetic material.

Composite wood: May contain formaldehyde.

Galvanized metal and some of its constituents contain lead and/or other substances that are known to the State of California to cause cancer, birth defects and other reproductive harm.

Products made of vinyl contain lead, Diethyl Hexyl Phthalate (DEHP), and/or other substances that are known to the State of California to cause cancer, birth defects and other reproductive harm.

Acrylic may contain Acrylic Acid and/or other substances that are known to the State of California to cause cancer, birth defects, and other reproductive harm.

Appliances may contain tin or lead in either the paint or the controllers, and/or other substances that are known to the State of California to cause cancer, birth defects, and other reproductive harm.

Our barware items may contain plastic, acrylic, enamel, crystal, metal and/or other substances that are known to the State of California to cause cancer, birth defects, and other reproductive harm.

Appliances may contain Tin, Lead or Nickel

Damage: All damages must be noted at time of delivery. If a bill is signed that there is no damage, buyer accepts delivery as free and clear. Any claim for damages of the goods, when FOB Destination, that incurred during shipment by the carrier are insured and handled directly with the carrier by the Seller if noted on the receipt and notified within 48 hours of delivery. OPEN AND INSPECT YOUR DELIVERY. When FOB Destination, if the item is damaged by the freight company, and Purchaser cancels rather than accepts a replacement, the order can be cancelled by paying for freight costs both ways and a 35% restocking fee for stocked items. No cancellation or refunds on custom/made or made to order products. When shipped 3rd Party (FOB Warehouse), Purchaser assumes all responsibility for delivery, payment of freight and freight claims for damages during shipment. Manufacture defects will be handled directly with Seller, subject to the limited warranty below.

Fees: All sales are final. Unless authorized in writing by the Seller, Purchaser may not return the goods under any circumstance. If Seller agrees in writing to take back stocked goods, there will be a restocking/service fee that is 35% of the purchase price of the goods and freight both ways (product must be new, unused, and in original packaging). If Purchaser returns goods claiming that the goods are defective and goods are found to be in working condition by the Seller, Purchaser is liable for the cost of freight both ways plus and a service fee that is 35% of the purchase price of the goods. Built to Order and Custom products are nonreturnable, nonrefundable. Purchaser must notify Seller of nonconforming goods within 48 hours of receipt, after which time all goods are deemed accepted by the Purchaser. If an order has been placed and production has not started, cancellation of your order



will be a 15% charge. If Purchaser tenders payment with a check that has insufficient funds (NSF), a collection fee plus NSF fee of \$50 will be added to the invoice, which Purchaser agrees to pay promptly. If Purchaser puts a stop payment on a check or credit card for any reason, Purchaser agrees to pay for all costs associated with the Seller's collection or litigation of such a claim, including, without limitation, general and special damages, court costs and attorneys' fees. Finance charges begin the date of invoice. Title to the goods reverts back to the Seller in the case of nonpayment of goods or services. All fees and costs to retrieve the product, cost of freight, legal costs, collection fees and court fees, credit card fees and interest rate of 18% (annual rate) will be the responsibility of the Purchaser. In a credit card dispute, Purchaser assumes and must immediately pay any "credit card arbitration" fees and chargeback fees which the credit card companies charge at the time of the chargeback. Cancelled orders using a Credit Card will have an additional fee of 3% deducted from the refund. Any disputes not resolved within 30 days from the invoice date will be reported to credit reporting agencies.

LIMITED WARRANTY: Seller warrants that the goods will be free of defects in materials and workmanship as follows:

Furniture style (wood) wine cabinets made in the U.S.: all cooling unit parts only for a period of 1 (year) year; cabinetry and labor (uninstalled) for a period of 12 (twelve) Months (Model numbers "Vino" and "Custom").

Metal cabinet units (appliances) (compressor) (made in China and Denmark)(Model numbers start with EL, VT, IL, or EP: parts and labor for cooling system and cabinetry for a period of 12 (twelve) months.

Thermoelectric Units: 90 (ninety) days (including Wine and Beverage Coolers, Beer Dispensers, Humidor, Portofino Wood Cellars, and Refrigerators). (Models start with EL, VT, IL or EP). WineMate and Cellar Tec (WM, Wine Mate or CT)(Wine Cooling Units) Split and Ducted Systems and other installed cooling units are parts only for 1 year, no labor. Self Contained WineMate Cooling Systems are 1 year parts, 1 year labor. Removal and reinstallation of cooling units is not included.

Wine Accessories, Racking Systems, Parts and Other miscellaneous items is a 30 day warranty.

Il Romanzo units: Warranty 90 (ninety) days. Replacement part 12 (twelve) months from the date of sale.

Brama: 1 year warranty from date of purchase.

Non-New Units (Scratch & Dent/Refurbished/Floor Models), warranty for compressor units is 90 days from your dated invoice and 30 days for thermoelectric units (parts for function only, not cosmetic defects). These units are refurbished and sold as is; Purchaser assumes risks to the quality and performance of goods and assumes the costs of all necessary service or repair not covered herein. Extended warranties via New Leaf may not be purchased on Non-New Units. Delivery is curbside. Upgrades in delivery will require an additional fee.

Element Grills (via Element Products LLC), grills have a thirty day limited parts warranty on grill accessories.

If a model is not listed here will have 90 day warranty on parts only if it's a new item.

Parts and Repairs: Warranty on in-house repairs: 90 days parts and labor for compressor; 30 days parts and labor for Thermoelectric; Customer is required to put down a labor deposit of \$75 for Thermoelectric units; \$150 for compressor based Wine Coolers and \$195 for WineMate units which will be kept if a unit is found to be in good working condition. Customer is responsible for freight costs to us.

Warranty on parts purchased: 30 days; if part fails within 30 days of purchase, customer is to ship us back the part; upon inspection, if defective, VT will send replacement part at no charge.

If a purchaser claims a product is “defective” with regards to refrigeration, Purchaser must obtain a letter from a qualified refrigeration technician at the Purchaser’s cost to verify that the unit was installed properly, with proper ventilation and the unit is truly malfunctioning due to a manufacturing defect.

Removal or reinstallation of a unit is not included in warranted costs. Purchaser’s exclusive remedy is limited at Seller’s option to repair or replace defective part[s] with either new or reconditioned part[s]. Purchaser is responsible for shipping the unit prepaid to a designated facility and Seller will pay return shipping charges in the continental United States for items repaired under warranty within 12 (twelve) months from date of sale. The returned unit must be packaged correctly, with enough protection to ensure the unit is not further damaged. Oversized or lack of packaging is not permitted and will be refused. Replacement or exchanged units will be returned to Purchaser through curbside delivery only. Any redelivery fees are the Purchasers responsibility. Since the natural variation in texture, density, grain, color, tone, and shade of wood is unavoidable; Seller does not guarantee the texture, color, tone, or shade of the wood: nor does seller guarantee the colorfastness of wood or against peeling, chipping, cracking, or scratching. Note: Unfinished wood is subject to warping; all wood surfaces must be sealed before placing cellar into service. Make sure doors are aligned by reviewing the owner’s manual. Improper repair or placement of the unit will void the warranty. Any third party repair facility must be preapproved in writing by Seller, before providing replacement parts under warranty. Change Orders: Custom units already in production that require a change will be subject to a change order fee.

Storage Fees: When having an item serviced by a Vinotemp service technician at the Vinotemp facility, Purchaser agrees to pick up their repaired item or make arrangements for return shipping within a 30 day period once they have been notified by Vinotemp through phone call, email, or letter that their unit is ready for pick up. If the item remains in the Vinotemp warehouse after 30 days but no longer than 60 days, the Purchaser will incur additional storage fees of 2%. After 60 days in storage, the item will become property of Vinotemp. For custom units with deposits: If product is not picked up or shipped within 60 days of completion, Purchaser deposit is forfeited and product becomes the property of Vinotemp. Warranty period is from the date of sale (not from shipping, delivery, nor installation). All completed cabinetry, racking, or other custom work must be picked up or shipped within a period of 14 days after Vinotemp has notified the Purchaser by phone call, email, or letter. Any completed cabinetry, racking, or other custom work stored longer than 14 days will incur an additional monthly storage fee. After 60 days, the product will become property of Vinotemp. This Limited Warranty does not cover damage due to such things as accident, misuse, abuse, mishandling, neglect, acts of God, fires, earthquakes, floods, high winds, government, war, riot or labor trouble, strikes, lockouts, delay of carrier, unauthorized repair, or any other cause beyond the control of the Seller, whether similar or dissimilar to the foregoing. Seller is not responsible for any damages caused to Purchaser’s property resulting from the goods. This limited warranty applies only inside the Continental US (Alaska, Puerto Rico, Hawaii and other territories/countries are not warranted). Purchaser understands and acknowledges that the goods sold here are wine cellars, cigar humidors, and/or other similar units which house wine or cigars or other items. Purchaser assumes all risk of using these units, including risk of spoilage, humidity variations, temperature variations, leaks, fire, water damage, mold, mildew, dryness and similar and any other perils that might occur. Seller is not responsible for incidental or consequential damages, and there are no warranties, expressed or implied, which extend beyond the Limited Warranty described above. Warranty and liability are nontransferable. The implied warranties of merchantability and of fitness for a particular purpose are hereby expressly disclaimed. Some states do not allow the exclusion of incidental or consequential damages, or a waiver of the implied warranties of fitness and/or merchantability, so the above limitations may not apply to you. This warranty gives you specific legal rights and you may also have other rights which vary from state to state. Seller disclaims any



indemnification for claims of infringement of any intellectual property of protectable nature. In the event of any dispute between Seller and Purchaser arising out of or relating to these terms and conditions or to the goods sold generally, Purchaser must first file a written claim with Seller within ten days of the occurrence giving rise to the claim and wait an additional thirty days for a response before initiating any legal action. The sale and all terms are subject to Nevada law. Any legal proceeding arising out of or relating to these terms and conditions or to the goods sold Purchaser shall bring, solely and exclusively in Clark County. In no event may Purchaser initiate any legal proceeding more than six months after the occurrence of the event giving rise to the dispute. Seller may make nonpayment claims until debt is paid in full. Any dispute or claim relating in any way to these to the Terms and Conditions, the Website, or any products or services sold or distributed by or through this Website, store, or catalog will be resolved by binding arbitration, rather than in court, except that you may assert claims in small claims court if your claims qualify. The Federal Arbitration Act and federal arbitration law apply to the Terms and Conditions. We each agree that any dispute resolution proceedings will be conducted only on an individual basis and not in a class, consolidated or representative action. If for any reason a claim proceeds in court rather than in arbitration we each waive any right to a jury trial. Both parties agree to bring suit in court to enjoin infringement or other misuse of intellectual property rights.

The above terms and conditions are the only ones governing this transaction and Seller makes no oral representations of any kind. These Terms and Conditions can only be modified in writing, signed by both Purchaser and Seller.

SPECIFIC WARRANTY BELOW for SCRATCH & DENT/OPEN BOX/ REFURBISHED/FLOOR MODELS/ CLOSEOUTS, OVERSTOCK: TERMS AND CONDITIONS OF SALE

Vinotemp (and its brands Element, Wine Mate, Cellar Tec, Apex Wine Racks, Epicureanist II Romanzo, Brama("Seller") and the person of the entity that acquires these goods from Seller ("Purchaser") hereby fully agree to the following terms and conditions of the sale:

1. Freight: Vinotemp is not a freight, moving or installation company, if Freight is arranged for the Buyer, the Seller assumes no responsibility for the goods sold to the Purchaser once the goods have left the Seller's premises, including, but not limited to, late delivery by the moving carrier, or for events caused by any difficulty carrier incurs in attempting to fit the goods into the Purchaser's place of business or residence due to the size of the goods or otherwise, such as the disassembly and reassembly of the goods. Purchaser assumes all responsibility for delivery, payment of freight, extra fees, access, measurement, installation, hook-up, moving and storage of the goods. The transportation of all goods is subject to the terms and conditions which the moving carrier imposes on Purchaser including, but not limited to, additional charges imposed per flight of stairs, and/or additional charges resulting from the carrier's inability to safely and/or adequately use the building elevator to lift the goods to an upper floor. Any claim for damages incurred during shipment by the carrier of the goods are insured and handled directly with the carrier and must be noted at time of delivery.

2. All sales are final, and unless authorized in writing by the Seller, Purchaser is not entitled to return goods, under any circumstances. If Purchaser refuses to accept goods, the Purchaser is liable for the return and cost of freight both directions and a restocking/service fee that is 35% of the purchase price of the goods. Purchaser must notify Seller of non-conforming goods within four days of delivery, after which time all goods are deemed accepted.

3. If Purchaser tenders payment with a check that has insufficient funds (NSF), or stops payment on a check or credit card for any reason, Purchaser agrees to pay for all costs associated with the

Seller's connection or litigation of such a claim, including without limitation extra damages, court costs, collection fees and attorney's fees. Finance charges begin the date of invoice. Collection fees plus NSF fee of \$50 will be added to your invoice, which you agree to promptly pay. Title to the goods does not pass until payment is received in full by Seller and Seller retains a security interest in the goods until they are paid for in full. If the credit card dispute goes to arbitration, Buyer agrees to pay for credit card arbitration fees.

4. LIMITED WARRANTY on Non-New Units (Scratch & Dent/Refurbished and Floor Models): warranty for compressor units is 90 days from your dated invoice and 30 days for thermoelectric units (parts for function only, not cosmetic defects). These units are refurbished and sold as is; Purchaser assumes risks to the quality and performance of goods and assumes the costs of all

necessary service or repair not covered herein. Wine Accessories, Racking Systems and other items not mentioned are not warranted. There is no warranty on parts purchased separately. Removal and re-installation of unit is not included in warranted labor. Purchaser's exclusive remedy is limited, at Seller's option; to repair or replace defective part[s] with either new or factory reconditioned part[s]. Purchaser is responsible for shipping the unit pre-paid to designated facility and Seller will pay return shipping charges in the continental United States for items repaired under warranty. Since the natural variation in texture, density, grain, color, tone and shade of wood is unavoidable; Seller does not guarantee the texture, color, tone or shade of the wood: nor does seller guarantee the colorfastness of wood or against peeling, chipping, cracking or scratching. Note: Unfinished wood is subject to warping; all wood surfaces must be sealed before placing cellar into service. Improper placement of the unit will void the warranty. By Vinotemp in writing, any 3rd party repair facility must be pre-approved before providing parts free of charge.

5. Freight: If As-Is unit is shipped including freight and delivery is denied, customer is responsible for freight to and from buyer. Other costs Buyer is responsible for is storage, repackaging, and attempted delivery fees.

6. Vinotemp does not cover damage due to such things as accident, misuse, abuse, mishandling, neglect, acts of God, fires, earthquakes, floods, high winds, government, war, riot or labor trouble, strikes, lockouts, delay of carrier, unauthorized repair, or any other cause beyond the control of the Seller, whether similar or dissimilar to the foregoing. Seller is not responsible for any damages caused to Purchaser's property resulting from the good. This limited warranty applies only inside the Continental US. (Alaska, Puerto Rico and Hawaii are not warranted.)

7. Purchaser understands and acknowledges that the goods sold here are wine coolers, appliances, cigar humidors, and/or other similar units which may house wine or cigars or other consumables. Purchaser assumes all risk of using these units, including risk of spoilage, humidity variations, temperature variations, leaks, fire, water damage, mold, mildew, dryness and similar perils that might occur.

8. UNLESS OTHERWISE PROVIDED BY APPLICABLE LAW, SELLER IS NOT RESPONSIBLE FOR INCIDENTAL OR CONSEQUENTIAL DAMAGES, AND THERE ARE NO WARRANTIES, EXPRESS OR IMPLIED, WHICH EXTEND BEYOND THE DESCRIPTION ON THE FACE HEREOF; WARRANTY AND LIABILITY ARE NON-TRANSFERABLE. THE IMPLIED WARRANTIES OF MERCHANTABILITY AND OF FITNESS FOR A PARTICULAR PURPOSE ARE HEREBY EXPRESSLY DISCLAIMED. SELLER DISCLAIMS ANY INDEMNIFICATION FOR CLAIMS OF INFRINGEMENT OF ANY INTELLECTUAL PROPERTY OF PROTECTABLE NATURE.



9. In the event of any dispute between Seller and Purchaser arising out of or relating to these terms and conditions or to the goods sold generally, Purchaser must first file a written claim with Seller within thirty days of the occurrence giving rise to the claim and wait an additional thirty days for a response before initiating any legal action. Any legal proceeding arising out of or relating to these terms and conditions or to the goods sold generally shall be brought solely in Clark County. The prevailing party in any such proceeding is entitled to its attorney's fees and costs. In no event may Purchaser initiate any legal proceeding more than six months after the occurrence of the event giving rise to the dispute.

10. Delivery is curbside. Upgrades in delivery will require an additional fee.

The above terms and conditions are the only ones governing this transaction and Seller makes no oral representations of any kind. These Terms and Conditions can only be modified in writing, signed by both Purchaser and Seller. 02/05/2019

SERVICE & IMPORTANT NOTICE

Upon receipt and inspection of unit, the supply cord must be replaced if it is damaged. Contact our customer service at 1-800-777-8466 or info@vinotemp.com.

The manufacturer has a policy of continuous improvement on its products and reserves the right to change materials and specifications without notice.

WARNING:

**Please do not place the unit within reach of children.
For adult use only**

Contact info@vinotemp.com with any questions or visit

www.vinotemp.com



Add a New Leaf extended warranty to your order, and have the security of knowing that if there should be a problem, even years in the future, New Leaf will be there to assist! Usable for any Wine Cellar or other electronic device manufactured by Vinotemp. Add this warranty to purchases made from vinotemp.com or other qualified vendors. Warranty must be registered within the first 10 days from original purchase.

Visit www.Vinotemp.com to purchase.



732 S. Racetrack Road
Henderson, NV 89015
www.vinotemp.com

Vinotemp is a registered trademark of Vinotemp International. All products, features, and services are subject to change without notice. We cannot guarantee the accuracy of the contents of this document. We disclaim liability for errors, omissions, or future changes.

© 2021 Vinotemp International. All rights reserved.