

Installation Guide



5 SERIES Professional Indoor & Outdoor Hoods

VWH53012 / VWH53612
VWH53048 / VWH53648 / VWH54248
VWH54848 / VWH56048
VCWH53048 / VCWH53648 / VCWH54248
VCWH54848 / VCWH56048
VCIH53608 / VCIH54208 / VCIH55408 / VCIH56608
VBCV53638 / VBCV54238 / VBCV54838 / VBCV56038 / VBCV56038
VWHO3678 / VWHO4878 / VWHO6078 (Canadian Outdoor models not applicable)

Table of Contents

Warnings & Important Information	3-4
VWH/CVWH 10" H/12"H. Wall Hoods w/Standard Ventilator 30", & 36"	
Dimensions & Specifications	5
Clearance Dimensions	6
Interior Ventilator Dimensions	7
VWH/CVWH 18"H. 24"Deep Wall Hoods 30", 36", 42", 48", & 60"	
Dimensions & Specifications	8
Clearance Dimensions	9
Interior Ventilator Dimensions	10
Exterior Ventilator Dimensions	11
VWHO/CVWHO 18"H. Outdoor Wall Hoods 36", 48", & 60"	
Dimensions & Specifications	12
Clearance Dimensions	13
VCWH/CVCWH Chimney Wall Hoods 30", 36", 42", 48", & 60"	
Dimensions & Specifications	14
Clearance Dimensions	15
Interior Ventilator Dimensions	16
Exterior Ventilator Dimensions	17
VCIH/CVCIH Chimney Island Hoods 36", 42", 54", & 66"	
Dimensions & Specifications	18
Clearance Dimensions	19
Interior Ventilator Dimensions	20
Exterior Ventilator Dimensions	21
VBCV/CVBCV Wall Custom Ventilator System	
Dimensions & Specifications	22
Installing Hood Canopy	23
Clearance Dimensions	24
VBCV Ventilator Dimensions	25
Planning Information	27
Installation Procedures	
Installation (VWH/CVWH 10"H./12"H. Wall Hoods w/Standard Ventilator)	28
Duct Cover Option (VWH/CVWH 12"H. Wall Hoods w/Standard Ventilator)	30
Installation (VWH/CVWH 12"H. Wall Hoods w/Recirculating Kit)	30
Installation (VWH/CVWH 18"H. Wall & VCWH Chimney Wall Hoods)	33
Duct Cover Option (VWH/CVWH 18"H. Wall Hoods)	34
Duct Cover Option (VCWH/CVCWH Chimney Wall Hoods)	35
Installation (VCIH Island Hoods)	36
Service & Registration	38
Wiring Diagram	39

IMPORTANT—Please Read and Follow!

NOTE: If installing hood with warming shelf panel, install warming shelf panel first.

IMPORTANT – PLEASE READ AND FOLLOW

- Before beginning, please read these instructions completely and carefully.
- Do not remove permanently affixed labels, warnings, or plates from the product. This may void the warranty.
- Please observe all local and national codes and ordinances. If no local codes are applicable, wire in accordance with the National Electrical Code, ANSI/NFPA 70-latest edition.
- Damp environment approved models should be installed in a covered non-enclosed area and should be protected from the elements as much as possible.
- The installer should leave these instructions with the consumer who should retain for local inspector's use and for future reference.
- Check with a qualified and trained installer or local codes for makeup air requirement, if any.

This hood is for residential installation only and is not designed for installation over a commercial product. Make sure power is off at the main circuit breaker or fuse box before making connections. To avoid risk of fire, electric shock, or injury to persons, turn off the electricity to the hood from the power supply before servicing or cleaning. Viking hoods are equipped with variable speed control blowers. These units will not function with a single speed ventilator. All Viking Range ventilator kits are designed specifically for use with Viking Range hoods. Use of any non-Viking Range ventilator kit will void the hood warranty.

Viking hoods are equipped with the variable speed controls for blowers. These units will not function with a single speed ventilator. All Viking ventilator kits are designed specifically for use with Viking hoods. Use of any non-Viking ventilator kit will void the hood warranty.

READ AND SAVE THESE INSTRUCTIONS

WARNING

To reduce the risk of fire, electric shock, or injury to persons, observe the following:

- Use this unit only in the manner intended by the manufacturer. If you have any questions, contact the manufacturer.
- Before servicing or cleaning unit, switch power off at service panel and lock service panel to prevent power from being switched on accidentally. When the service disconnecting means cannot be locked, securely fasten a prominent warning device, such as a tag, to the service panel.

WARNING

TO REDUCE THE RISK OF FIRE, ELECTRICAL SHOCK, OR INJURY TO PERSONS, OBSERVE THE FOLLOWING:

1. Installation work and electrical wiring must be done by qualified person(s) in accordance with all applicable codes and standards, including fire-rated construction.
2. Sufficient air is needed for proper combustion and exhausting of gases through the flue (chimney) of fuel burning equipment to prevent back drafting. Follow the heating equipment manufacturer's guideline and safety standards such as those published by the National Fire Protection Association (NFPA), and the American Society for Heating, Refrigeration and Air Conditioning Engineers (ASHRAE), and the local code authorities.
3. When cutting or drilling into wall or ceiling, do not damage electrical wiring and other hidden utilities.
4. Ducted fans must always be vented to the outdoors.
5. **WARNING!** To reduce risk of fire, use only metal ductwork
6. **CAUTION!** To reduce risk of fire and to properly exhaust air, be sure to duct air outside. Do not vent exhaust air into spaces within walls or ceilings, or into attics, crawl spaces, or garages.
7. **CAUTION!** To Reduce the Risk of Fire and Electric Shock, Install this rangehood only with remote blower models manufactured by Viking, model numbers – DEV900/DEV1200, VEV900, VIL1200, OR DEV1500 or integral blowers manufactured by Viking, model numbers – VINV300/600/1200, or DIL1200. **NOTE** – Please refer inside for specific canopy/blower combinations.

IMPORTANT—Please Read and Follow!

⚠ WARNING

To reduce the risk of injury to persons in the event of a rangetop grease fire, observe the following. (Based on "Kitchen Firesafety Tips," published by NFPA.)

1. **SMOTHER FLAMES** with a close fitted lid, cookie sheet, or metal tray, then turn off the burner. **BE CAREFUL TO PREVENT BURNS.** If the flames do not go out immediately, **EVACUATE AND CALL THE FIRE DEPARTMENT.**
2. **NEVER PICK UP A FLAMING PAN.** You may be burned.
3. **DO NOT USE WATER,** including wet dishcloths or towels a violent steam explosion will result.
4. Use an extinguisher **ONLY** if
 - You know it is a Class ABC extinguisher, and you already know how to operate it.
 - The fire is small and contained in the area where it started.
 - The fire department is being called.
 - You can fight the fire with your back to an exit.

⚠ WARNING

This appliance is not to be used by persons (including children) with reduced physical, sensory or mental capabilities, or lack of experience and knowledge, unless they have been given supervision or instruction concerning the use of the appliance by a person responsible for their safety. Children should be supervised to ensure that they do not play with the appliance.

⚠ CAUTION

For general ventilating use only. Do not use to exhaust hazardous or explosive materials and vapors.

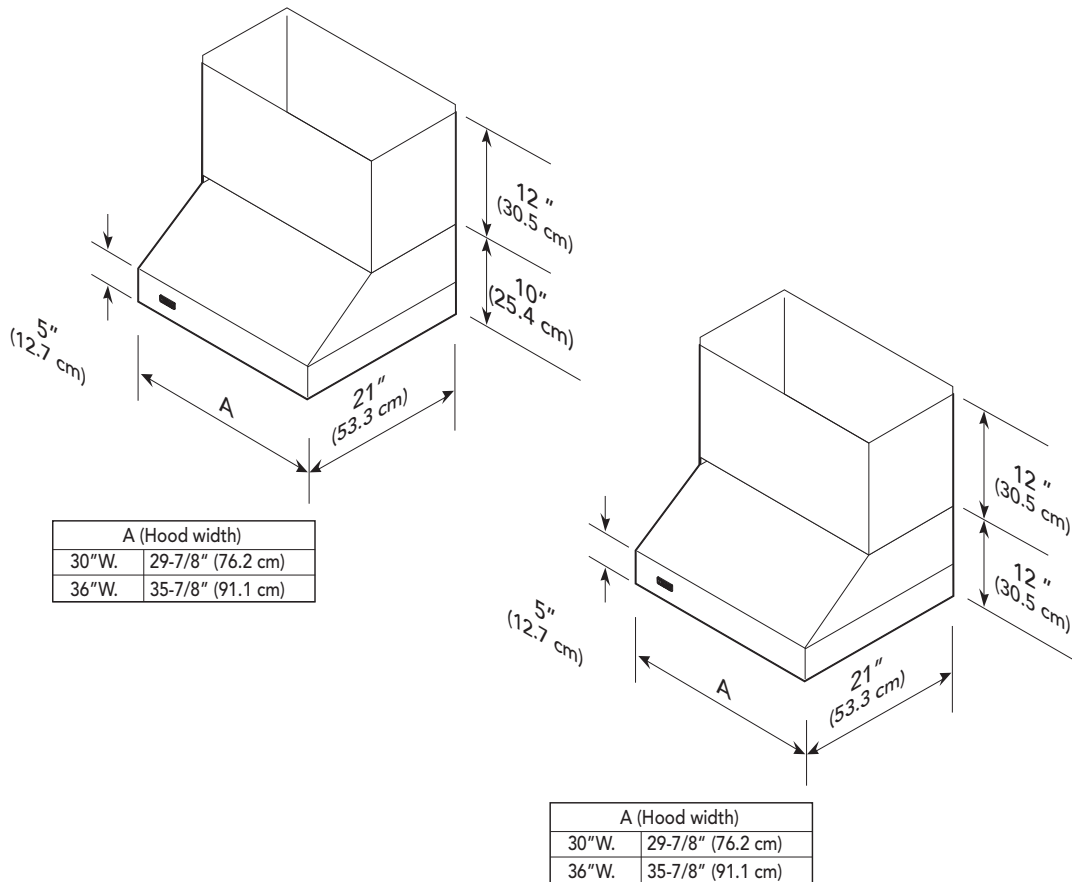
⚠ WARNING

TO REDUCE THE RISK OF FIRE, ELECTRICAL SHOCK, OR INJURY TO PERSONS
Rangehoods must be installed with the ventilators that are specified on their carton indicating suitability with this model. Other ventilators cannot be substituted.



Dimensions & Specifications

(VWH 10"H./12"H. Wall Hoods w/Standard Ventilator 30", & 36")



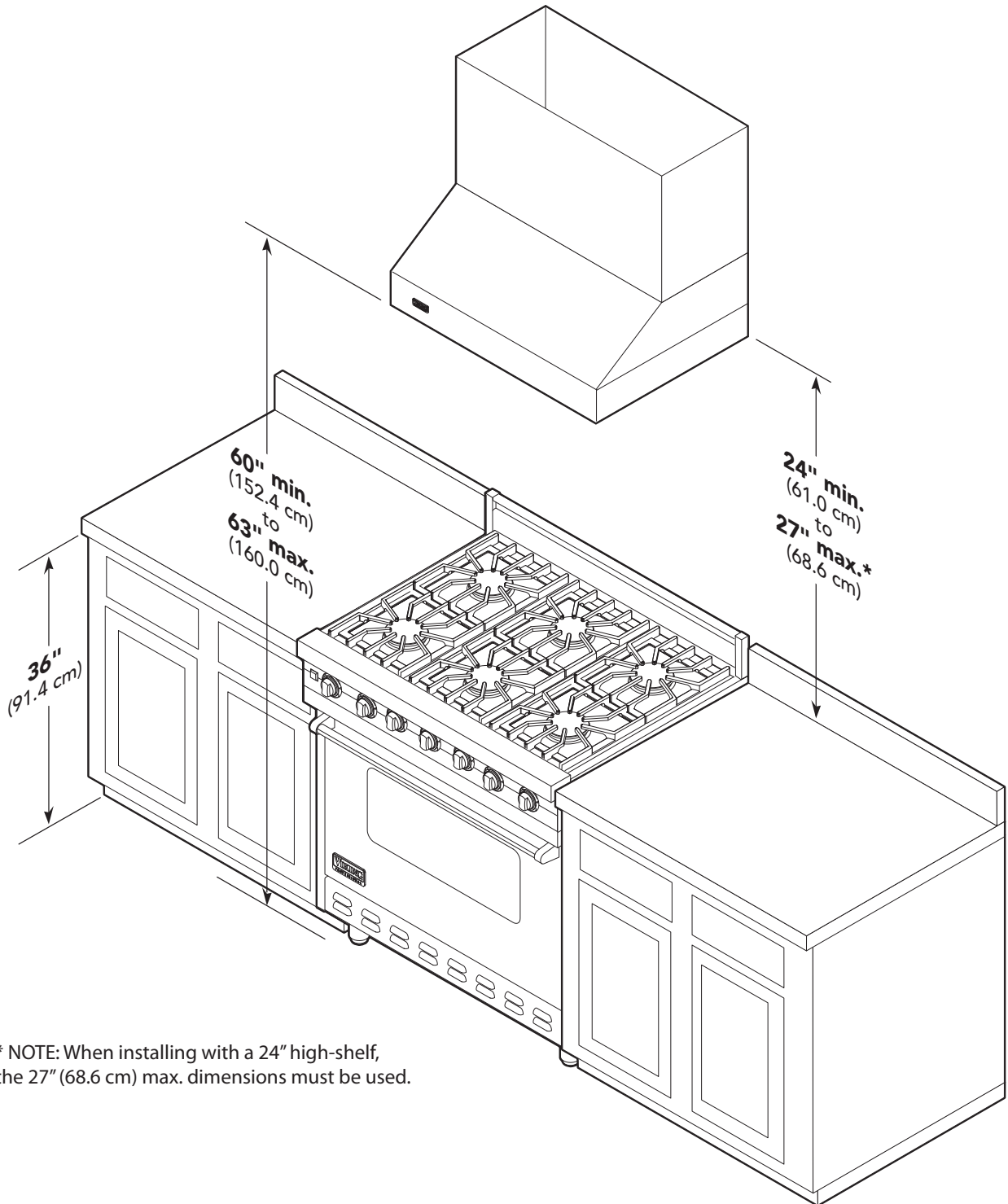
NOTE: Optional duct cover sold separately.

VWH/CVWH 10"H./12"H. Wall Hoods w/Standard Ventilator		
Description	30"	36"
Duct cover width	29-7/8" (75.9 cm)	35-7/8" (91.1 cm)
Duct cover depth	12" (30.5 cm)	
Duct cover height	12" (30.5 cm)	
Number of lights	2	
Number of filters	2	
Heat lamps	N/A	
Interior ventilator kit	460 CFM Standard	
Interior duct size*	7" (17.8 cm)	
Interior—Maximum amps	5.6 A	

* Disregard when using recirculating kits.
460 CFM blower is shipped with hood.

Clearance Dimensions

(VWH/CVWH 10"H./12"H. Wall Hoods w/Standard Ventilator)

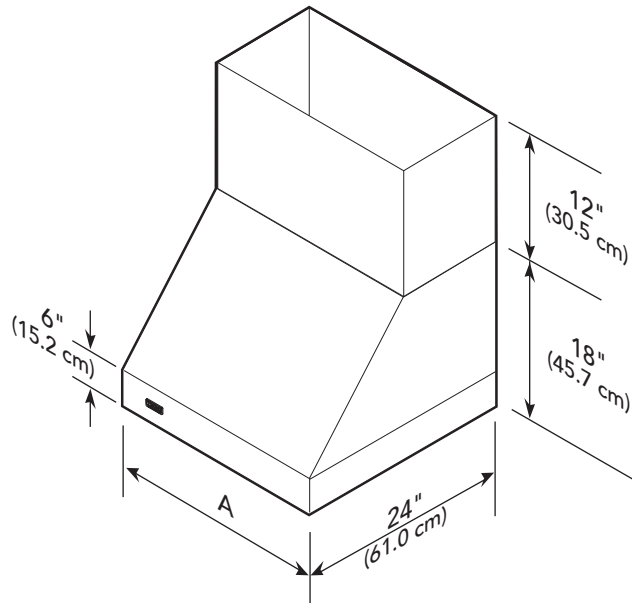


* NOTE: When installing with a 24" high-shelf, the 27" (68.6 cm) max. dimensions must be used.

Dimensions & Specifications

(VWH/CVWH 18"H. 24" Deep Wall Hoods 30", 36", 42", 48", & 60")

A	
30" W	29-7/8" (76.2 cm)
36" W	35-7/8" (91.1 cm)
42" W	41-7/8" (106.4 cm)
48" W	47-7/8" (121.6 cm)
60" W	59-7/8" (152.1 cm)



NOTE: Optional duct cover sold separately.

VWH/CVWH 18"H. Wall Hoods					
Description	30"	36"	42"	48"	60"
Duct cover width	29-7/8" (75.9 cm)	35-7/8" (91.1 cm)	41-7/8" (106.4 cm)	47-7/8" (121.6 cm)	59-7/8" (152.1 cm)
Duct cover depth	12" (30.5 cm)				
Duct cover height	12" (30.5 cm)				
Number of lights	2	2	2	3	4
Number of filters	2	2	2	3	4
Heat lamps	1	1	1	2	3
Interior ventilator kits	VINV300/ 600/1200	VINV300/ 600/1200	VINV600/ 1200	VINV1200*	VINV1200*
Exterior ventilator kits	DEV900/ 1200*	DEV900/ 1200*	DEV900/ 1200*	DEV1200*/ 1500**	DEV1200*/ 1500**
In-line ventilator kits	DIL1200	DIL1200	DIL1200	DIL1200	DIL1200
Interior duct size	7"/10" (17.8/25.4 cm)	7"/10" (17.8/25.4 cm)	7"/10" (17.8/25.4 cm)	10" (25.4 cm)	10" (25.4 cm)
Exterior duct size	10" (24.5 cm)				
Interior—Maximum amps	4.2/5.2/8.2	4.2/5.2/8.2	5.2/8.2	10.8	10.8
Exterior—Maximum amps	8.0/5.3	8.0/5.3	8.0/5.3	7.8/8.5	7.8/8.5
In-Line—Maximum amps	5.3/7.2	5.3/7.2	5.3/7.2	9.6	10.0
Total Watts	47 Watts				

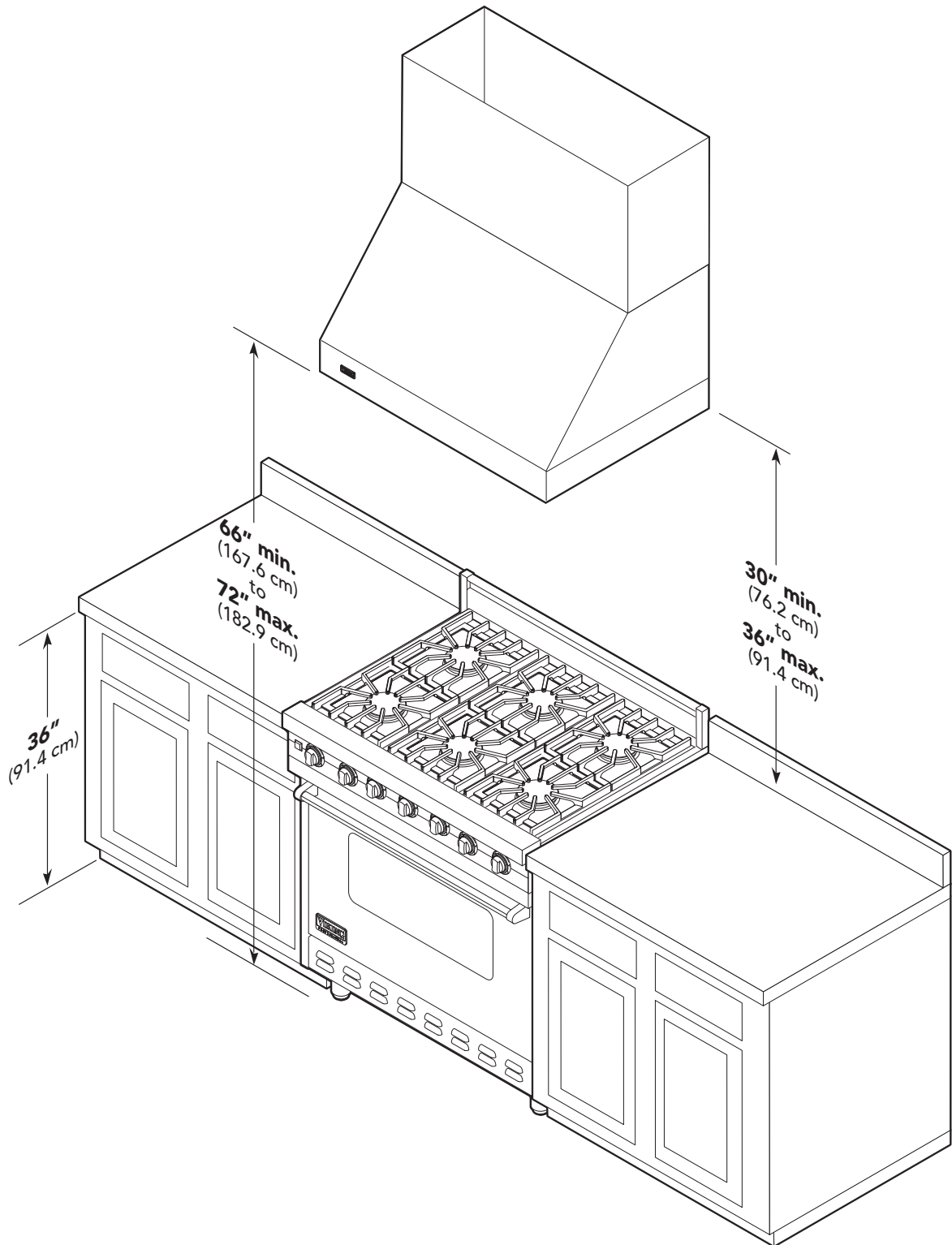
* A 1,200 CFM interior- or exterior-power ventilator should be used when installed over range/rangetop with gas char-grill. Max duct run is 50 ft.

** It is recommended that the 1,500 CFM ventilator be used with longer duct runs. Max duct run is 75 ft.

NOTE: Maximum amp rating for hoods includes recommended ventilator kit rating; All products must be hard wired with 2-wire with ground. An interior- or exterior-power ventilator kit must be purchased for installation with all 18"H. hoods.

Clearance Dimensions

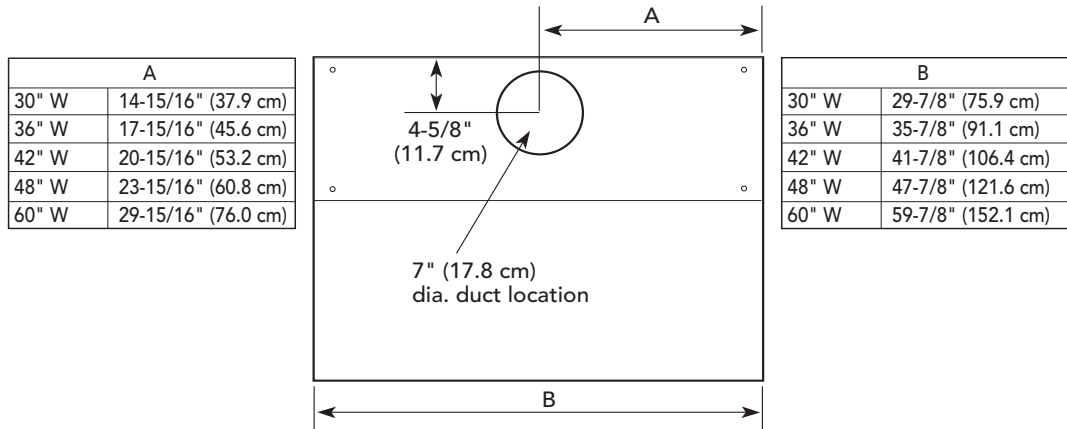
(VWH/CVWH 18"H. Wall Hoods)



Interior Ventilator Dimensions

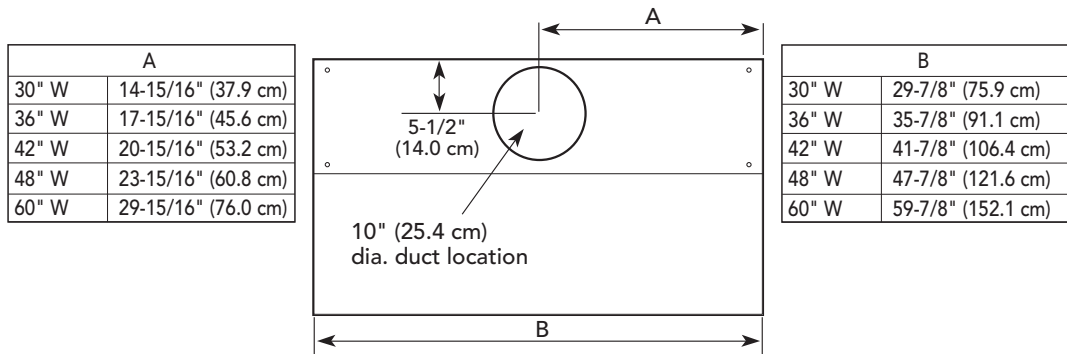
(VWH/CVWH 18"H. Wall Hoods)

Top View



300 or 600 CFM Interior Ventilator Installation for all Wall Hoods

Top View

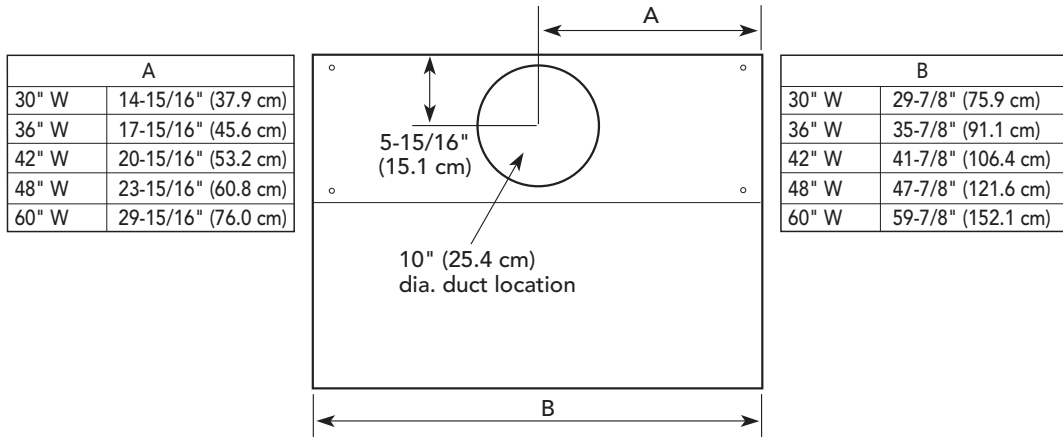


1200 CFM Interior Ventilator Installation for all Wall Hoods

Exterior Ventilator Dimensions

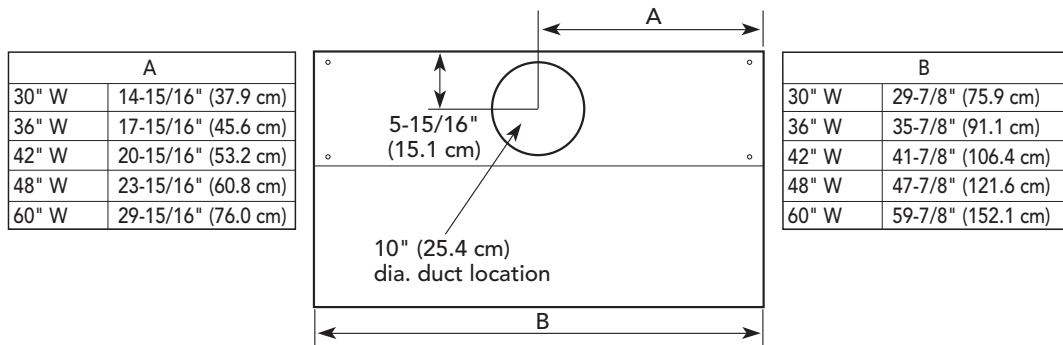
(VWH/CVWH 18"H. Wall Hoods)

Top View



900 or 1200 CFM Exterior or In-Line Ventilator Installation for all Wall Hoods

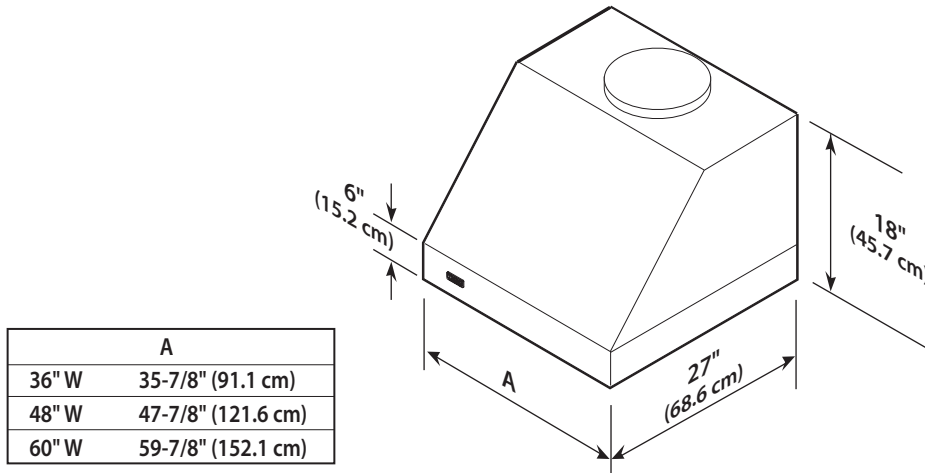
Top View



1200 or 1500 CFM Exterior or In-Line Ventilator Installation for all Wall Hoods

Dimensions & Specifications

(VWHO/CVWHO 18"H. Outdoor Wall Hoods 36", 48", & 60")



VWHO/CVWHO 18"H. Outdoor Wall Hoods			
Description	36"	48"	60"
Number of lights	2	3	4
Number of filters	2	3	4
Interior ventilator kits	VINV1200*	VINV1200*	VINV1200*
Exterior ventilator kits	DEV1200*/1500**	DEV1200*/1500**	DEV1200*/1500**
In-line ventilator kits	DIL1200	DIL1200	DIL1200
Interior duct size	10" (25.4 cm)		
Exterior duct size	10" (25.4 cm)		
Interior—Maximum amps	9.0	11.4	11.8
Exterior—Maximum amps	6.1/6.8	8.4/9.1	8.8/9.5
In-Line—Maximum amps	7.9	10.2	10.6
Total watts	47 Watts		

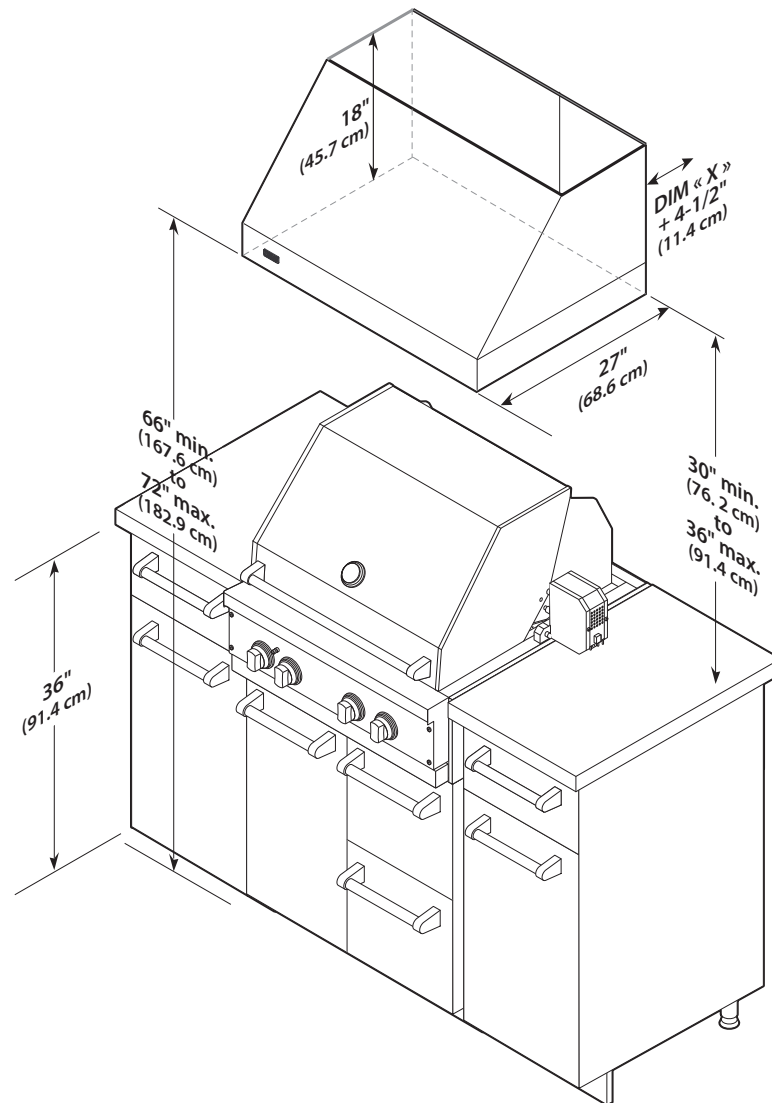
* A 1,200 CFM interior- or exterior-power ventilator should be used with all outdoor models and when indoor models are installed over range/rangetop with gas char-grill. Max duct run is 50 ft.

** It is recommended that the 1,500 CFM ventilator be used with longer duct runs. Max duct run is 75 ft.

NOTE: Maximum amp rating for hoods includes recommended ventilator kit rating; All products must be hard wired with 2-wire with ground. An interior- or exterior-power ventilator kit must be purchased for installation with all 18"H. hoods.

Clearance Dimensions

(VWHO/CVWHO 18"H. Outdoor Wall Hoods)



Note: Outdoor Models must be installed in a covered, non-enclosed area, and should be protected from the elements as much as possible.

The bottom of the hood should be 30" (76.2 cm) to 36" (91.4 cm) above the grill surface. The hood should be installed 4-1/2" (11.4 cm) plus the distance between the back trim and surface from the back wall. (Note: DIM "X" - There is a 3" minimum clearance from the back trim to non-combustible surfaces, and a 24" minimum to combustible surfaces.) This will require building the hood out from the wall. Any combustible material used for this purpose must be covered with locally-supplied stainless steel. It is also recommended to use a backsplash.

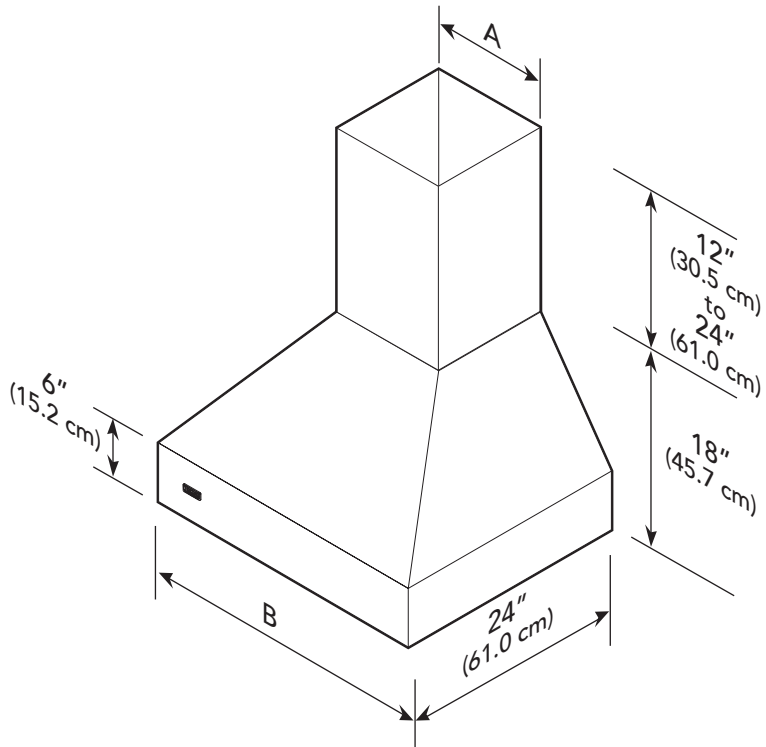
Dimensions & Specifications

(VCWH/CVCWH)

Chimney Wall Hoods 30", 36", 42", 48", 54", & 60")

A (Duct width)	
30"W.	12" (30.5 cm)
36"W.	12" (30.5 cm)
42"W.	12" (30.5 cm)
48"W.	18" (45.7 cm)
60"W.	24" (61.0 cm)
66"W.	24" (61.0 cm)

B (Hood width)	
30"W.	29-7/8" (76.2 cm)
36"W.	35-7/8" (91.1 cm)
42"W.	41-7/8" (106.4 cm)
48"W.	47-7/8" (121.6 cm)
60"W.	59-7/8" (152.1 cm)
66"W.	65-7/8" (167.3 cm)



NOTE: Optional duct cover sold separately.

VCWH/CVCWH Chimney Wall Hoods					
Description	30"	36"	42"	48"	60"
Duct cover width	12" (30.5 cm)	12" (30.5 cm)	12" (30.5 cm)	18" (45.7 cm)	24" (61.0 cm)
Duct cover depth	12" (30.5 cm)				
Duct cover height	12" (30.5 cm) to 24" (61.0 cm)				
Number of lights	2	2	2	3	4
Number of filters	2	2	2	2	3
Heat lamps	1	1	1	2	3
Interior ventilator kits	VINV300/600	VINV300/600	VINV600	VINV1200*	VINV1200*
Exterior ventilator kits	DEV900/1200*	DEV900/1200*	DEV900/1200*	DEV1200*/1500**	DEV1200*/1500**
In-line ventilator kits	DIL1200	DIL1200	DIL1200	DIL1200	DIL1200
Interior duct size	7" (17.8 cm)	7" (17.8 cm)	7" (17.8 cm)	10" (25.4 cm)	10" (25.4 cm)
Exterior duct size	10" (25.4 cm)				
Interior—Maximum amps	4.2/5.2	4.2/5.2	5.2	10.8	10.8
Exterior—Maximum amps	8.0/5.3	8.0/5.3	8.0/5.3	7.8/8.5	7.8/8.5
In-Line—Maximum amps	5.3/7.2	5.3/7.2	5.3/7.2	9.6	10.0
Total Watts	47Watts				

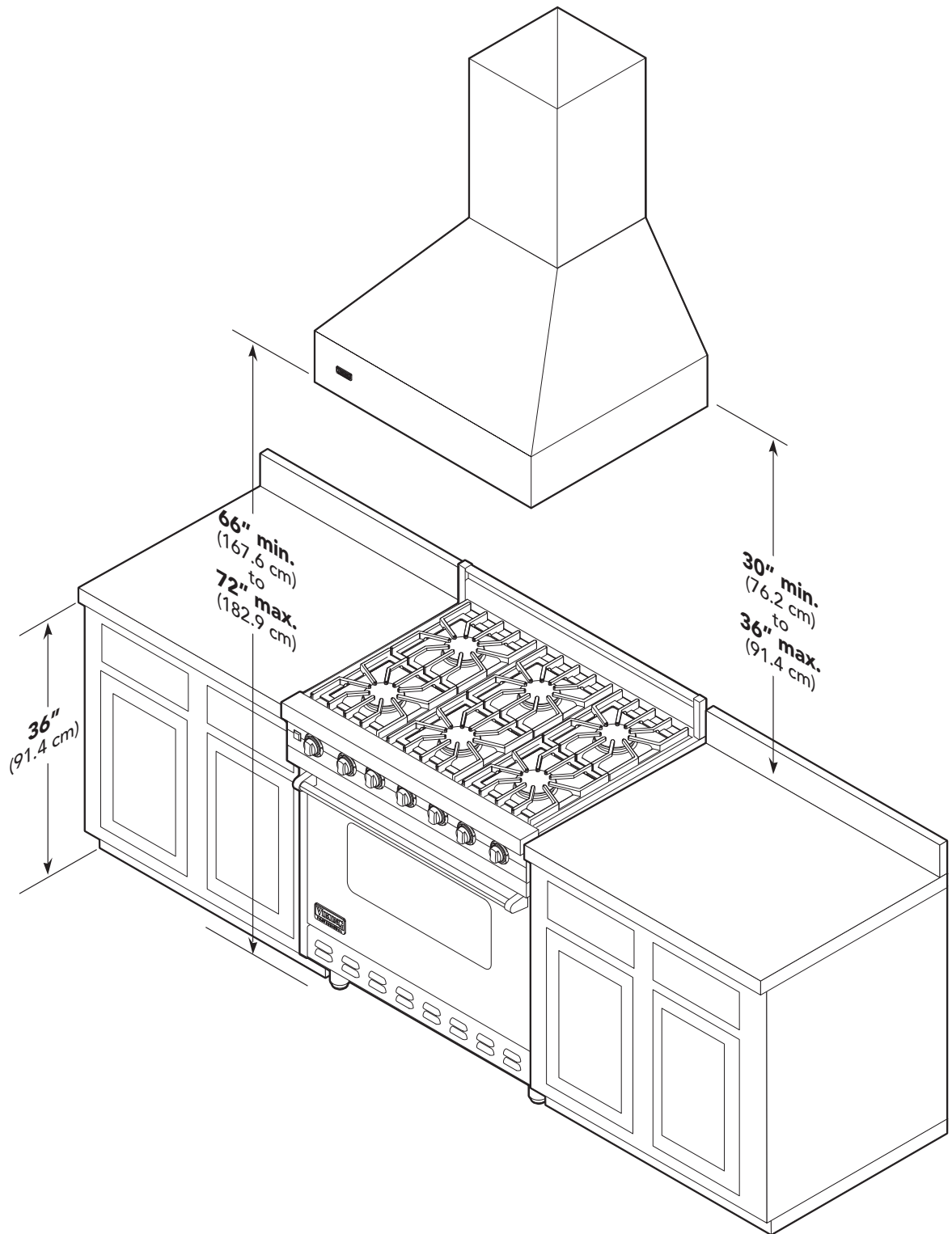
* A 1,200 CFM interior- or exterior-power ventilator should be used when installed over range/rangetop with gas char-grill. Max duct run is 50 ft.

** It is recommended that the 1,500 CFM ventilator be used with longer duct runs. Max duct run is 75 ft.

NOTE: Maximum amp rating for hoods includes recommended ventilator kit rating; All products must be hard wired with 2-wire with ground. An interior- or exterior-power ventilator kit must be purchased for installation with all 18"H. hoods.

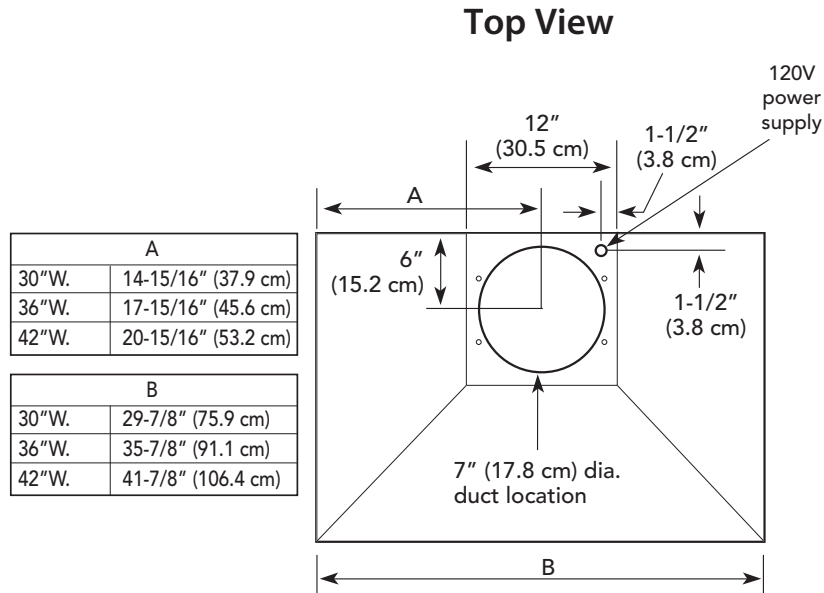
Clearance Dimensions

(VCWH/CVCWH Chimney Wall Hoods)

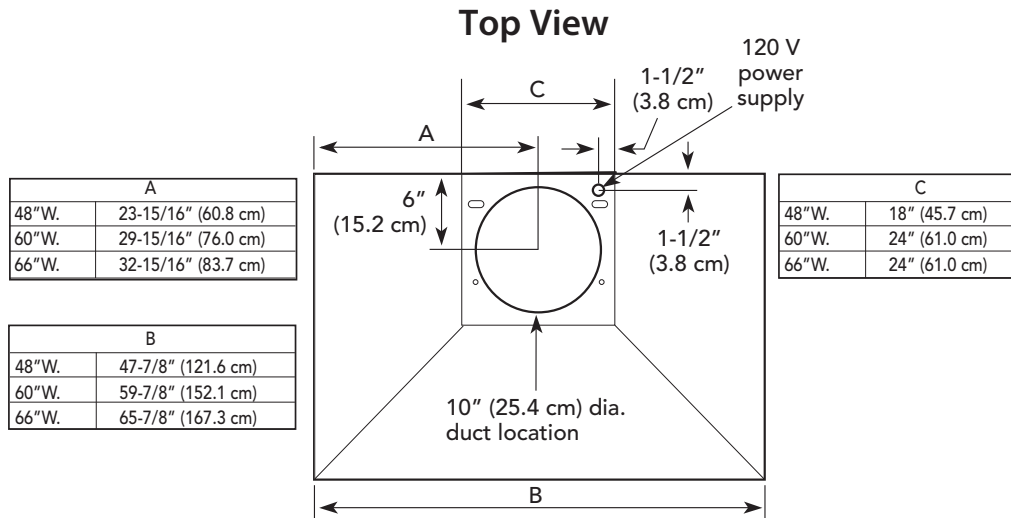


Interior Ventilator Dimensions

(VCWH/CVCWH Chimney Wall Hoods)



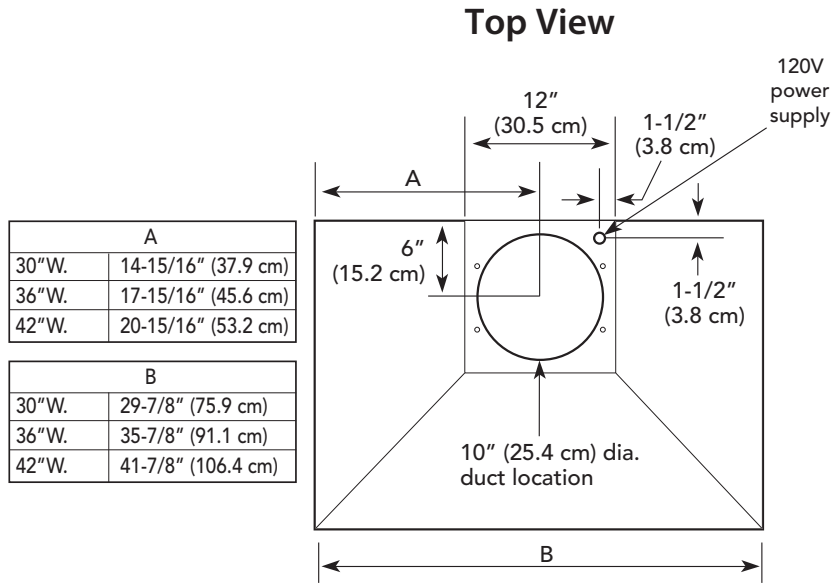
**300 or 600 CFM Interior Ventilator Installation
for 30", 36", & 42" models**



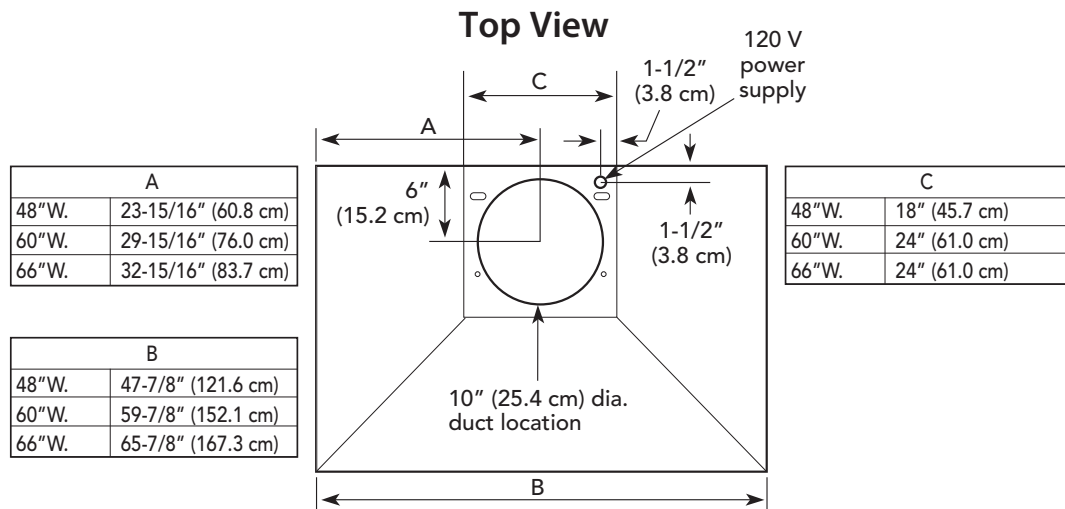
**1200 CFM Interior Ventilator Installation
for 48", & 60" models**

Exterior Ventilator Dimensions

(VCWH/CVCWH Chimney Wall Hoods)



900 or 1200 CFM Exterior or In-Line Ventilator Installation for 30", 36", & 42" models



900, 1200 or 1500 CFM Exterior or In-Line Ventilator Installation for 48", & 60" models

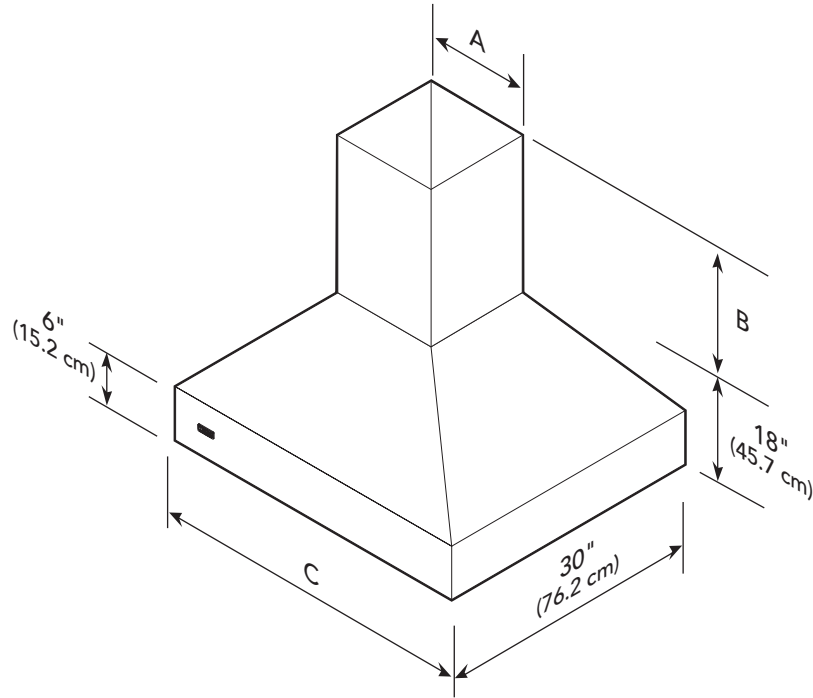
Dimensions & Specifications

(VCIH/CVCIH Chimney Island Hoods 36", 42", 54", & 66")

A	
36" W	12" (30.5 cm)
42" W	12" (30.5 cm)
54" W	18" (45.7 cm)
66" W	24" (70.0 cm)

B	
36" W.	12" (30.5 cm) or
42" W.	24" (61.0 cm)
54" W.	18" (45.7 cm) or
66" W.	36" (91.4 cm)

C	
36" W	35-7/8" (91.1 cm)
42" W	41-7/8" (106.4 cm)
54" W	53-7/8" (136.8 cm)
66" W	65-7/8" (167.3 cm)



NOTE: Optional duct cover sold separately.

VCIH/CVCIH Chimney Island Hoods				
Description	36"	42"	54"	66"
Duct cover width	12" (30.5 cm)	12" (30.5 cm)	18" (45.7 cm)	24" (70.0 cm)
Duct cover depth	12" (30.5 cm)			
Duct cover height	12" (30.5 cm) or 24" (61.0 cm) or 36" (91.4 cm)			
Number of lights	4	4	6	8
Number of filters	4	4	6	8
Heat lamps	N/A			
Interior ventilator kits	VINV600	VINV600	VINV1200*	VINV1200*
Exterior ventilator kits	DEV900/1200*	DEV900/1200*/1500**	DEV1200*/1500**	DEV1200*/1500**
In-line ventilator kits	DIL1200	DIL1200	DIL1200	DIL1200
Interior duct size	7" (17.8 cm)	7" (17.8 cm)	10" (25.4 cm)	10" (25.4 cm)
Exterior duct size	10" (25.4 cm)			
Interior—Maximum amps	4.2/5.2/8.2	5.2/8.2	8.9	9.3
Exterior—Maximum amps	7.4/4.7	7.4/4.7/5.5	5.6/6.4	6.4/7.4
In-Line—Maximum amps	4.7/6.5	3.9/5.7	7.4	7.4
total Watts	47 Watts			

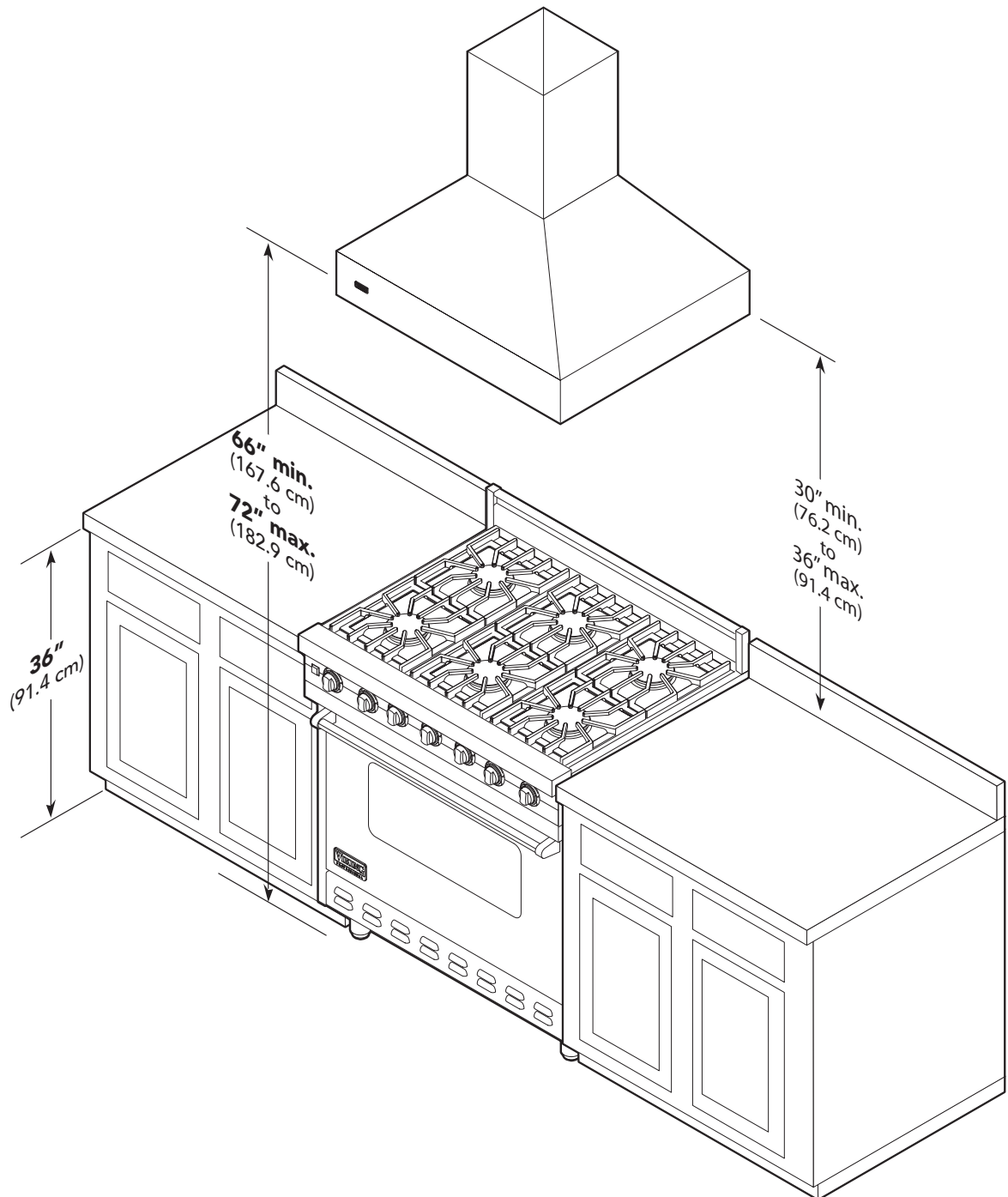
* A 1,200 CFM interior- or exterior-power ventilator should be used when installed over range/rangetop with gas char-grill. Max duct run is 50 ft.

** It is recommended that the 1,500 CFM ventilator be used with longer duct runs. Max duct run is 75 ft.

NOTE: Maximum amp rating for hoods includes recommended ventilator kit rating; All products must be hard wired with 2-wire with ground. An interior or exterior-power ventilator kit must be purchased for installation with all 18"H. hoods.

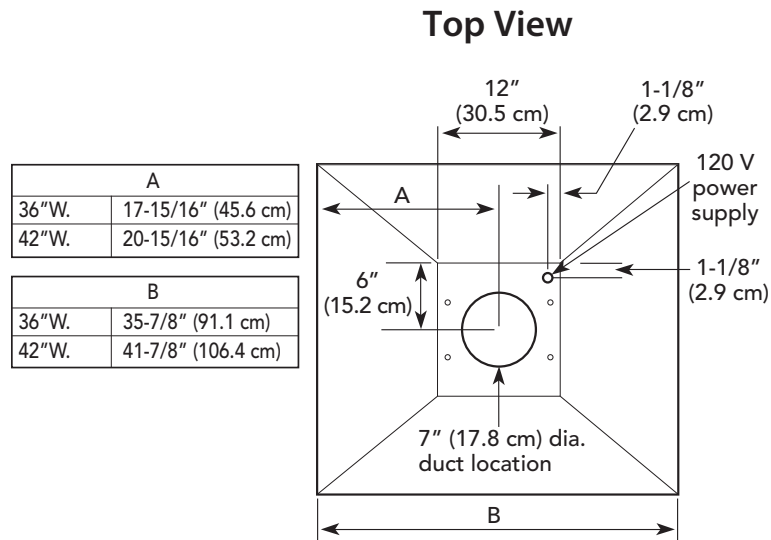
Clearance Dimensions

(VCIH /CVCIHChimney Island Hoods)

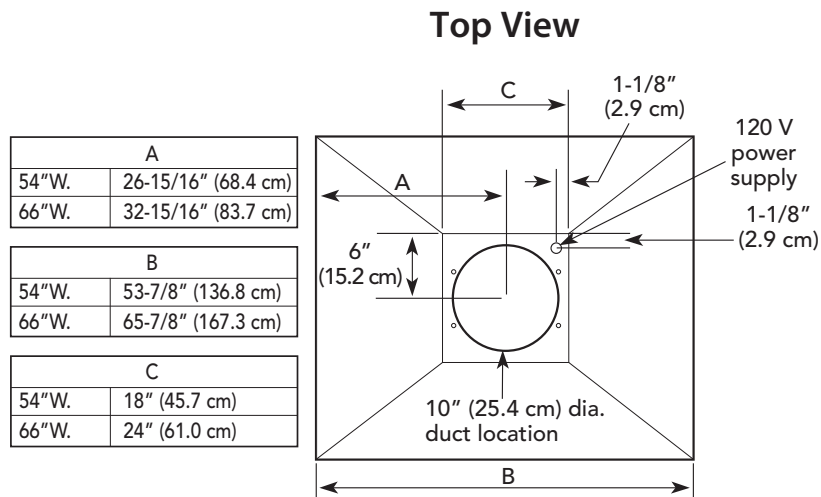


Interior Ventilator Dimensions

(VCIH/CVCIH Chimney Island Hoods)



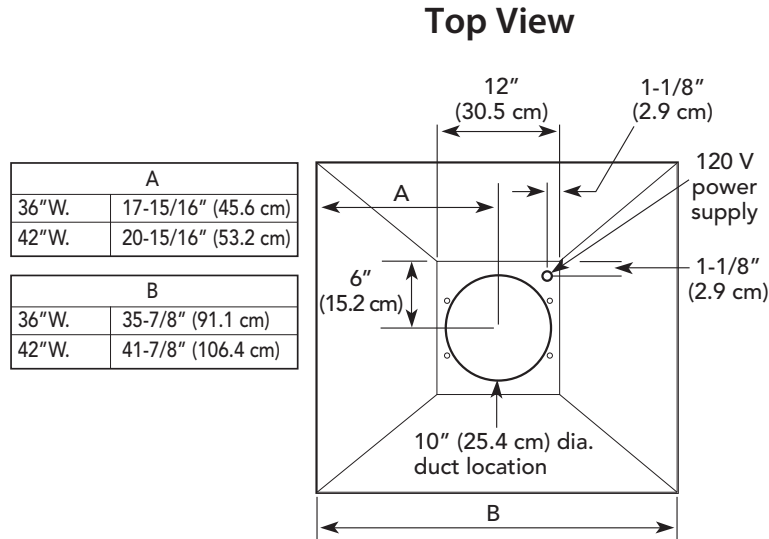
**600 CFM Interior Ventilator Installation
for all Chimney Island Hoods**



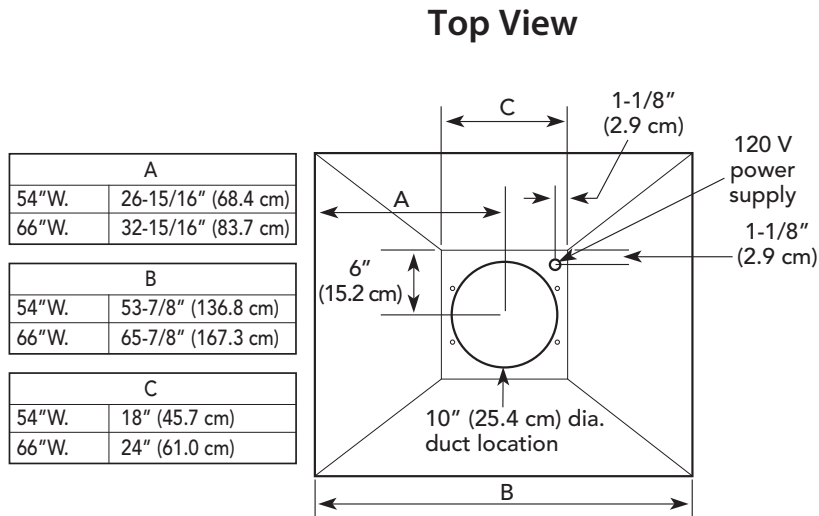
**1200 CFM Interior Ventilator Installation
for all Chimney Island Hoods**

Exterior Ventilator Dimensions

(VCIH/CVCIH Chimney Island Hoods)



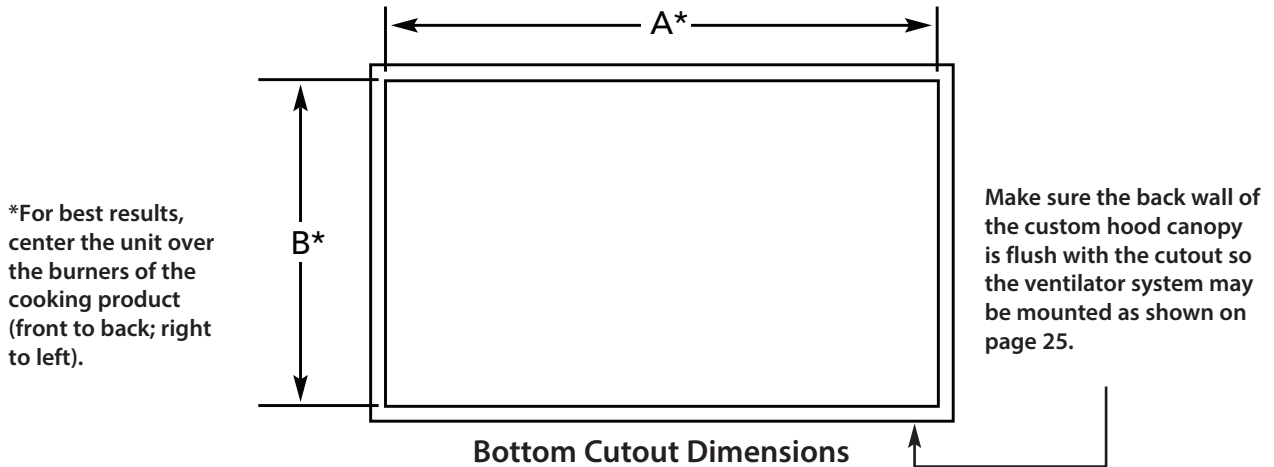
**900 or 1200 CFM Exterior or In-Line Ventilator Installation
for all Chimney Island Hoods**



**900, 1200 or 1500 CFM Exterior or In-Line Ventilator Installation
for all Chimney Island Hoods**

Dimensions & Specifications

(VBCV Wall Custom Ventilator System 36", 42", 48", & 60")



Wall Hoods		
Description	A (Hood Width)	B (Hood Depth)
36" W.	33-7/16" (84.9 cm)	21-7/16" (54.5 cm)
42" W.	39-7/16" (100.2 cm)	21-7/16" (54.5 cm)
48" W.	45-7/16" (115.4 cm)	21-7/16" (54.5 cm)
60" W.	57-7/16" (145.9 cm)	21-7/16" (54.5 cm)

VBCV Wall Custom Ventilator System				
Description	36"	42"	48"	60"
Number of lights	2	2	3	4
Number of filters	2	2	3	4
Heat lamps	1	1	2	3
Interior ventilator kits	VINV300/600	VINV600	VINV1200*	VINV1200*
Exterior ventilator kits	DEV900/1200*	DEV900/1200*	DEV1200*/1500**	DEV1200*/1500**
In-line ventilator kits	DIL1200	DIL900/1200	DIL1200	DIL1200
Interior duct size	7"/10" (17.8/25.4 cm)	7"/10" (17.8/25.4 cm)	10" (25.4 cm)	10" (25.4 cm)
Exterior duct size	10" (25.4)			
Interior—Maximum amps	4.2/5.2	10.8	10.8	10.8
Exterior—Maximum amps	8.0/5.3	8.0/5.3	7.8/8.5	7.8/8.5
In-Line—Maximum amps	5.3/7.2	5.3/7.2	9.6	10.0
Total Watts	47 Watts			

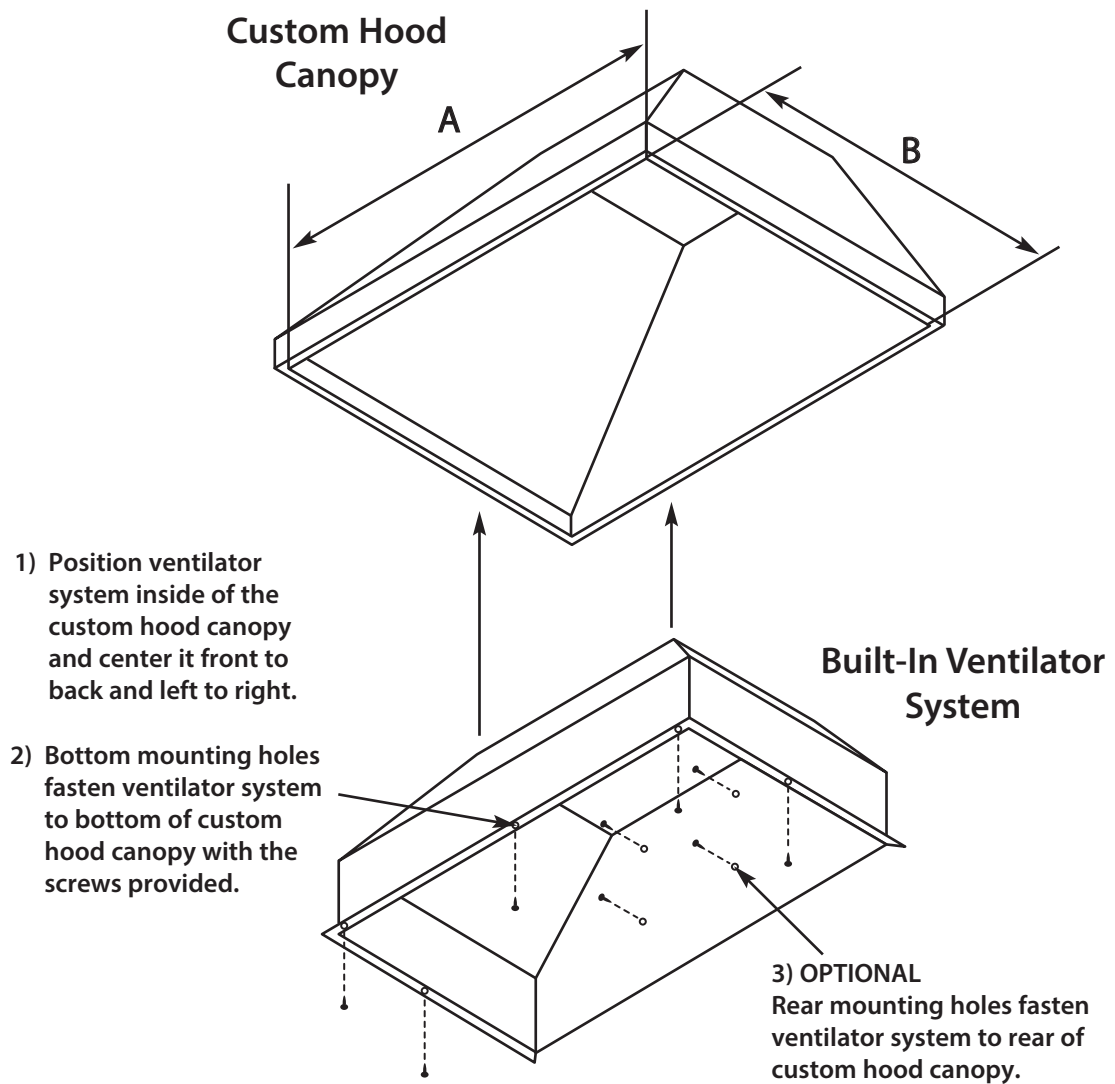
* A 1,200 CFM interior- or exterior-power ventilator should be used when installed over range/rangetop with gas char-grill. Max duct run is 50 ft.

** It is recommended that the 1,500 CFM ventilator be used with longer duct runs. Max duct run is 75 ft.

NOTE: Maximum amp rating for hoods includes recommended ventilator kit rating; All products must be hard wired with 2-wire with ground. An interior- or exterior-power ventilator kit must be purchased for installation with all 18"H. hoods.

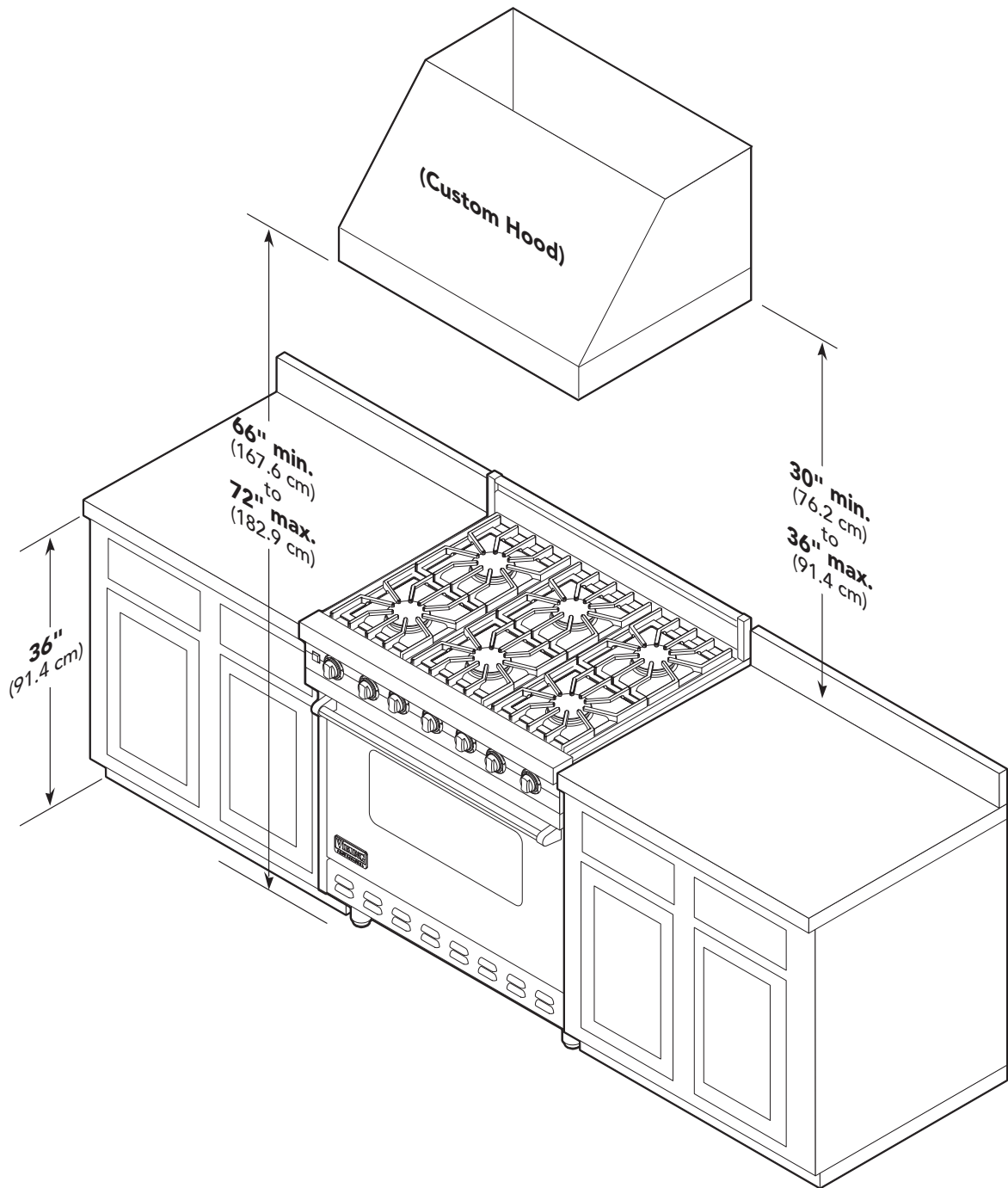
Installing Hood Canopy

(Custom Hood Canopy Cutouts)

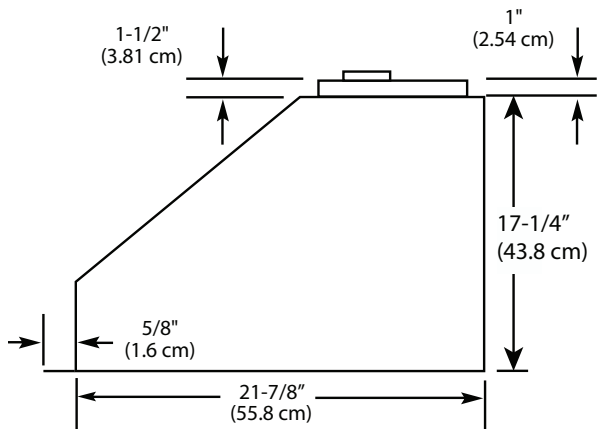


Clearance Dimensions

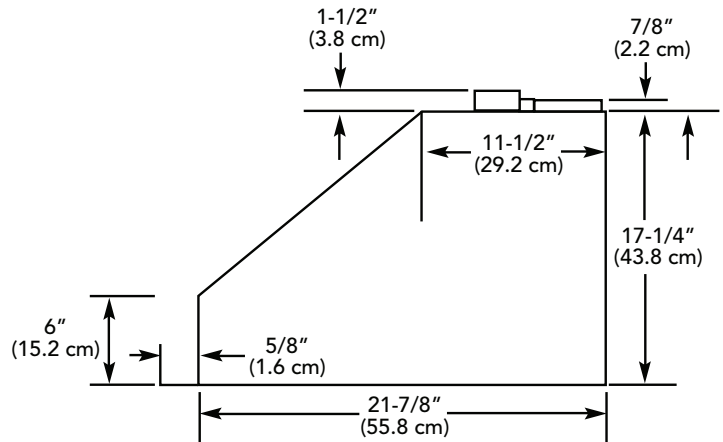
(VBCV/CVBCV Wall Custom Ventilator System)



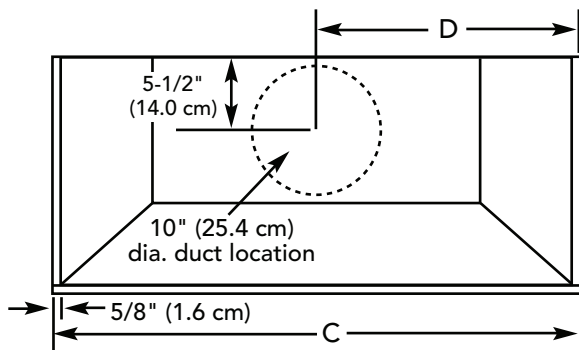
Built-In Wall Custom Ventilator System Dimensions (VBCV Models)



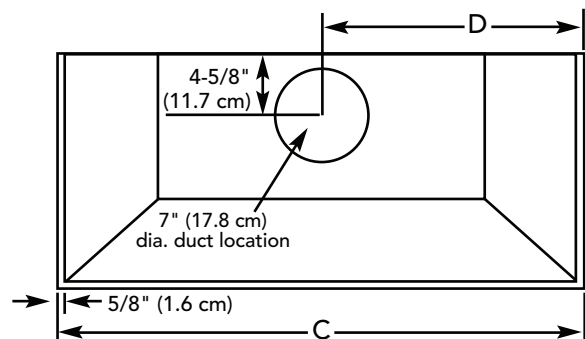
For 900, 1200 or 1500 CFM Exterior or In-Line Ventilator Installation



For 300, 600 or 1200 CFM Interior Ventilator Installation



900 or 1200 CFM Exterior or In-Line Ventilator Installation
36", 42" W. Models

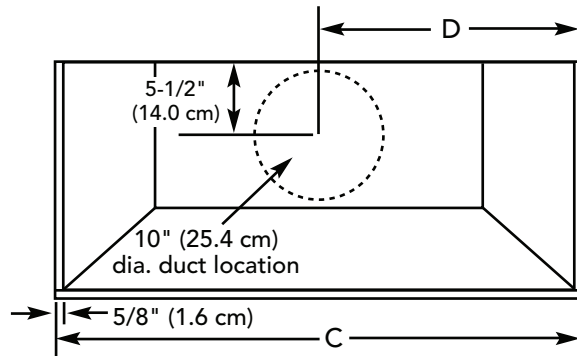


300 or 600 CFM Interior Ventilator Installation
36", 42" W. Models

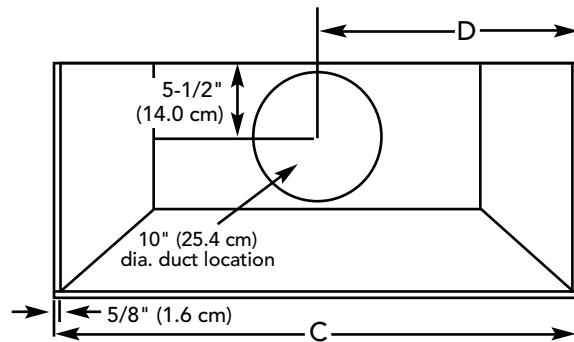
C	
36" W.	34-1/4" (87.0 cm)
42" W.	40-1/4" (102.2 cm)

D	
36" W.	17-1/8" (43.5 cm)
42" W.	20-1/8" (51.1 cm)

Built-In Wall Custom Ventilator System Dimensions (VBCV/CVBCV Models)



**1200 or 1500 CFM Exterior or In-Line Ventilator Installation
48", 60" W. Models**



**1200 CFM Interior Ventilator Installation
36", 42", 48", 60" W. Models**

C	
36" W.	34-1/4" (87.0 cm)
42" W.	40-1/4" (102.2 cm)
48" W.	46-1/4" (117.5 cm)
60" W.	58-1/4" (148.0 cm)

D	
36" W.	17-1/8" (43.5 cm)
42" W.	20-1/8" (51.1 cm)
48" W.	23-1/8" (58.7 cm)
60" W.	29-1/8" (74.0 cm)

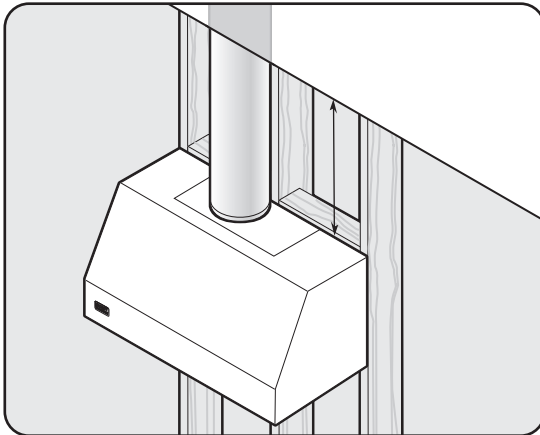
Planning Information

Proper installation of ducting is extremely important to ensure maximum performance from any ventilation product.

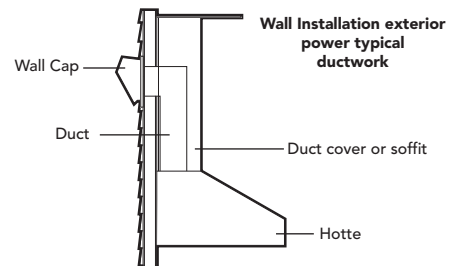
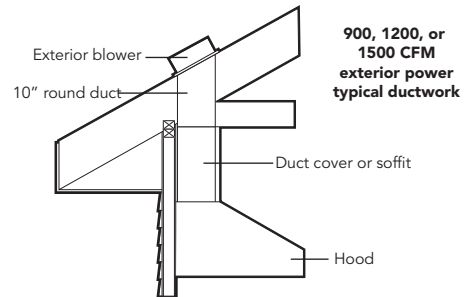
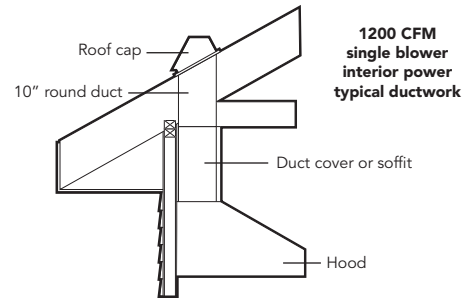
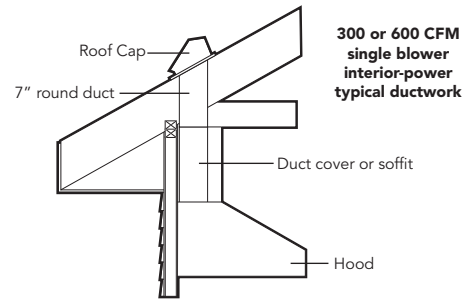
- All CFMs are based on tests at 0.1 static pressure: without applying static pressure, CFM would be greatly overstated.
- Straight runs and gradual turns are best; for example, each 90° elbow is equivalent to 5-10 feet (1.52-3.05 cm) of straight run.
- Never use flexible duct; it creates back pressure/air turbulence and greatly reduces performance.
- Proper performance is dependent on proper ducting; make sure that a qualified and trained installer is used.
- Check with a qualified and trained installer or local codes for makeup air requirement, if any.
- Max. amp rating for hoods includes recommended ventilator kit rating; all products must be hard wired direct with 2-wire with ground.

Plan where the duct work will be located. Install proper-sized duct work, and roof or wall cap for the type of blower you are using. Recommended hood locations for the most common installations are shown. Adjust your measurements for various heights of ceilings, soffits, cabinets, or ranges/rangetops.

Check Framing

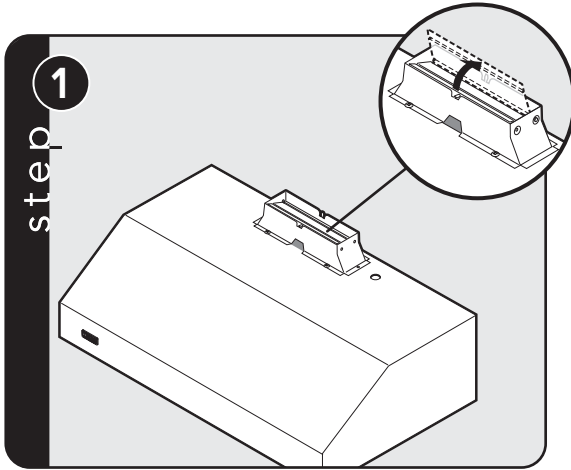


NOTE: Because of the weight of the hood make sure that the mounting screws are driven into the framing and not just the drywall. It may be necessary to drill additional holes in the canopy for proper alignment.

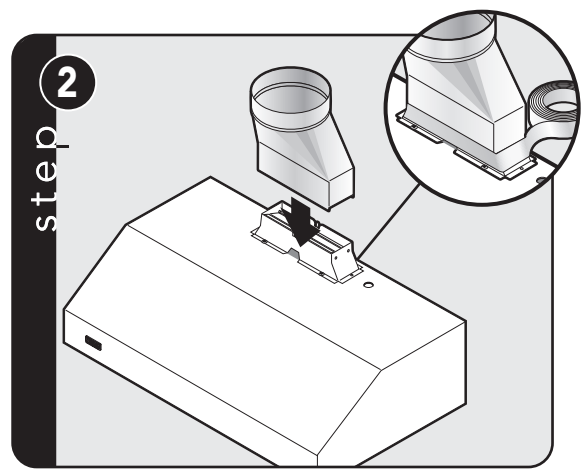


NOTE: Wall exhaust must be a minimum of 24" (61.0 cm) from ground. This may vary depending on local codes and geographic location.

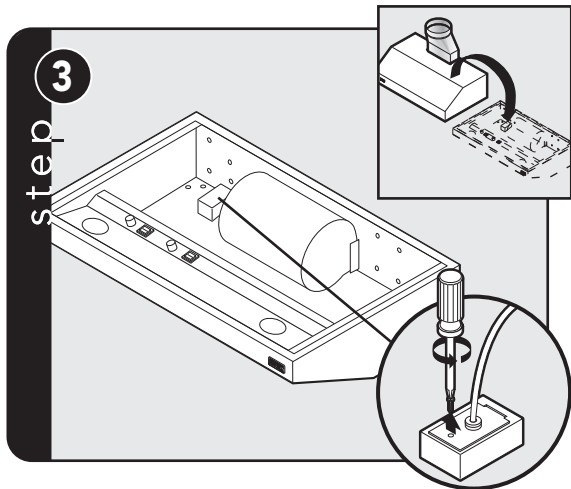
Installation (VWH/CVWH 10"H./12"H. Wall Hoods w/Standard Ventilator)



step 1
Check damper for unrestricted movement, adjust if necessary.



step 2
Attach transition to damper. Seal with aluminum tape.

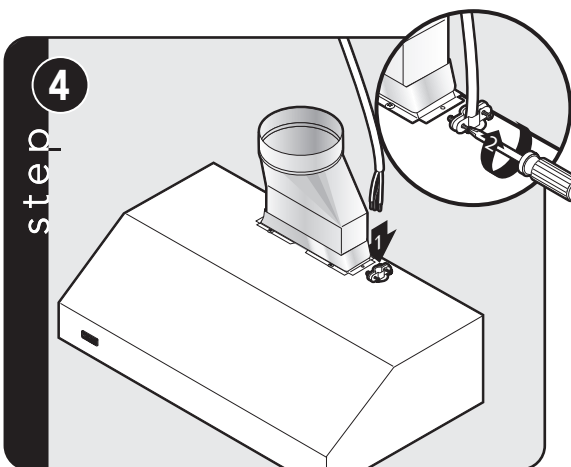


step 3
Flip hood over and remove electrical box cover.

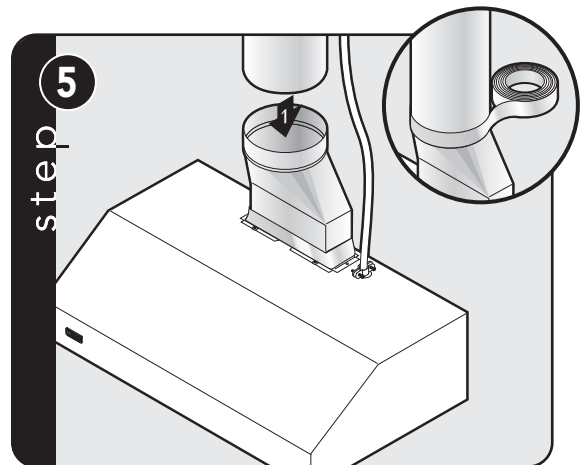
⚠ WARNING

To reduce the risk of fire, electric shock, or injury to persons, observe the following:

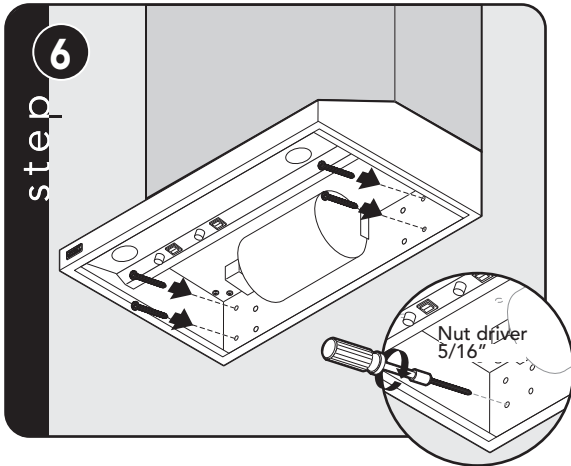
- Use this unit only in the manner intended by the manufacturer. If you have any questions, contact the manufacturer.
- Before servicing or cleaning unit, switch power off at service panel and lock service panel to prevent power from being switched on accidentally. When the service disconnecting means cannot be locked, securely fasten a prominent warning device, such as a tag, to the service panel.



step 4
Insert 6" of electrical wiring through the top of vent hood and secure using wiring restraint. Refer to local codes.

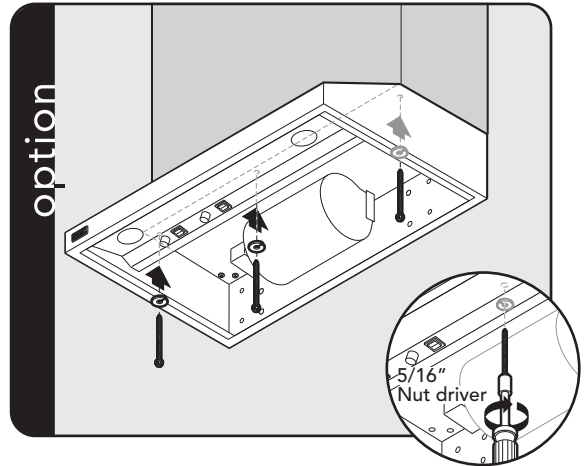


step 5
Slide duct over transition and tape around joint.



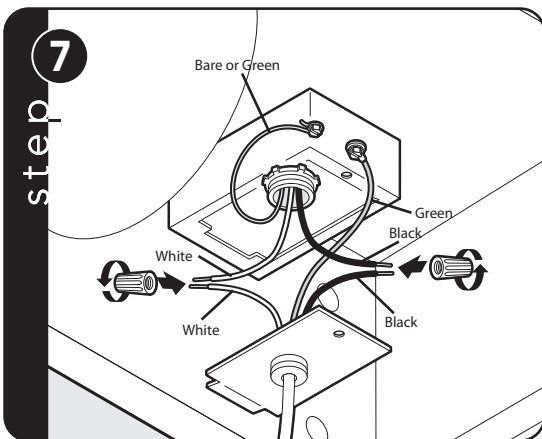
step 6

CAUTION: Secure vent hood to wall using screws provided. Use additional mounting screws and wall anchors, if necessary.



option

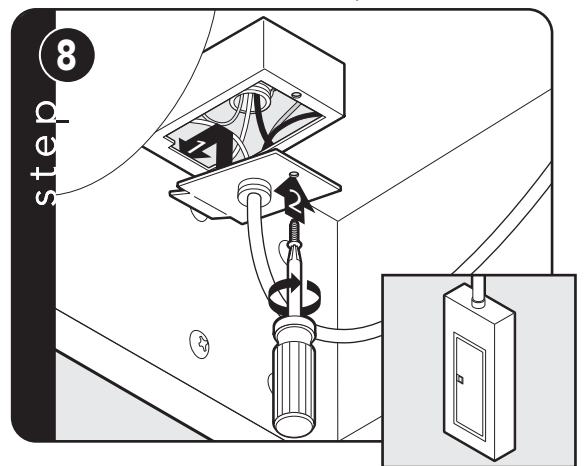
CAUTION: If not using a duct cover, using screws provided, make sure top mounting screws are secured into soffit or cabinet framing. Use additional mounting screws, if necessary.



step 7

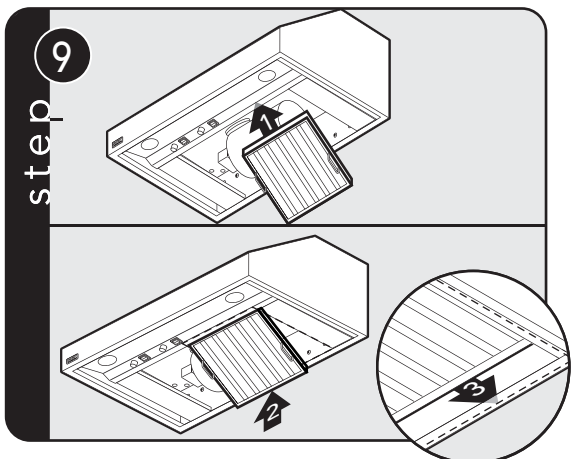
Connect black to black, white to white, and the green/bare wire under the green screw.

NOTE: Housing wiring must be properly installed for wiring to be correct when wiring unit.



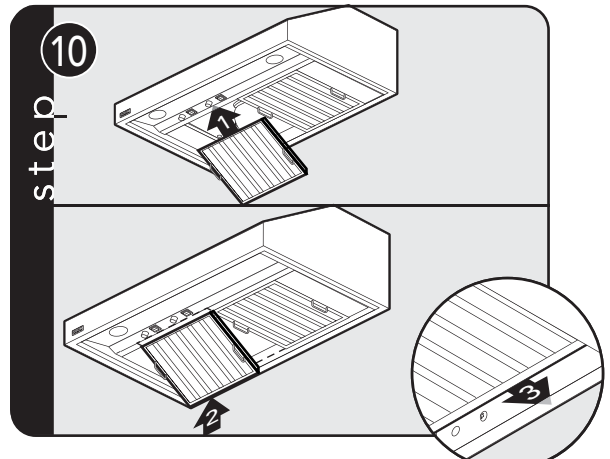
step 8

Replace electrical box cover. Make connection to breaker box.



step 9

Slide filter front over front lip. Push filter rear up, then slide back over rear lip.

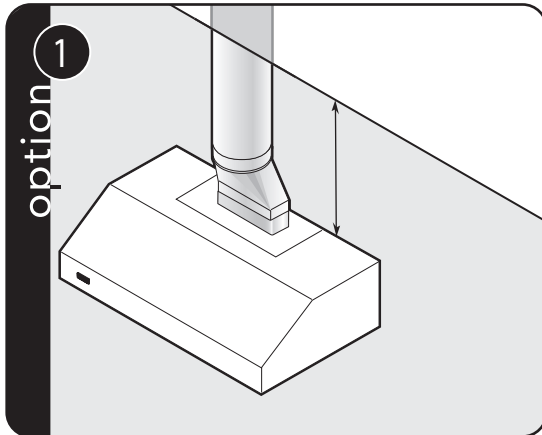


step 10

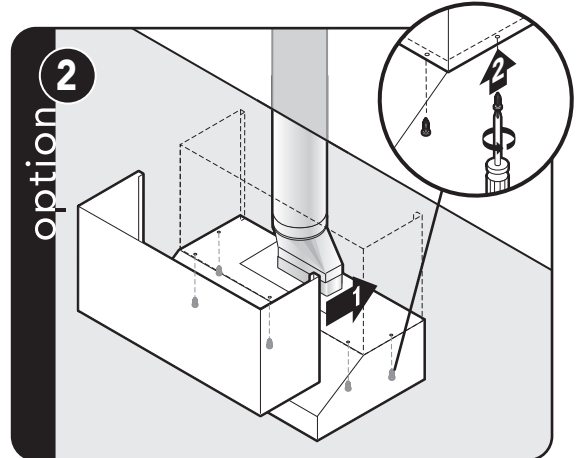
Slide filter front over front lip. Push filter rear up, then slide back over rear lip.

Duct Cover Option

(VWH/CVWH 10"H./12"H. Wall Hoods w/Standard Ventilator)



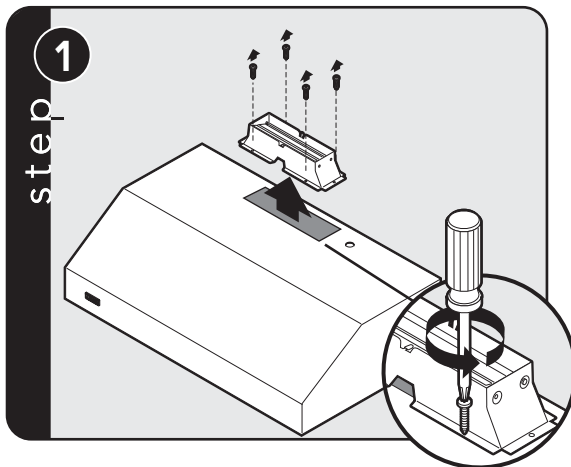
Measure distance from ceiling to canopy.



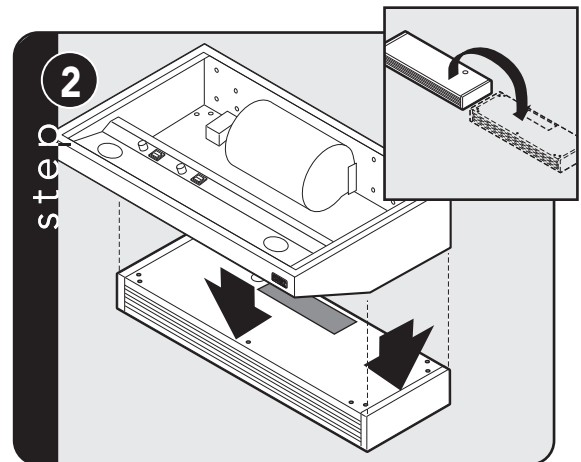
Slide the duct cover in place and fasten from inside canopy using the sheet metal screws provided.

Installation

(VWH/CVWH 10"H./12"H. Wall Hoods w/Recirculating Kit)



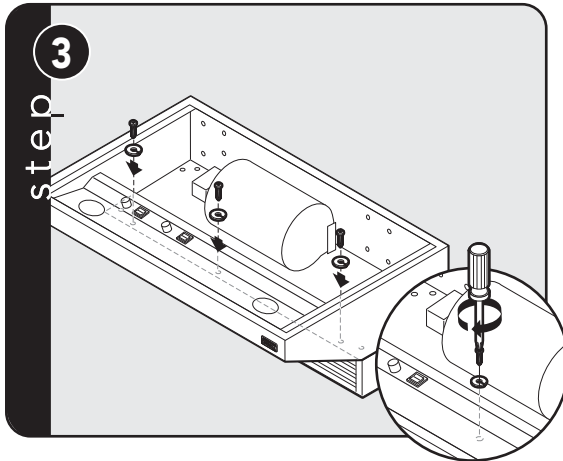
Remove damper and discard with transition.



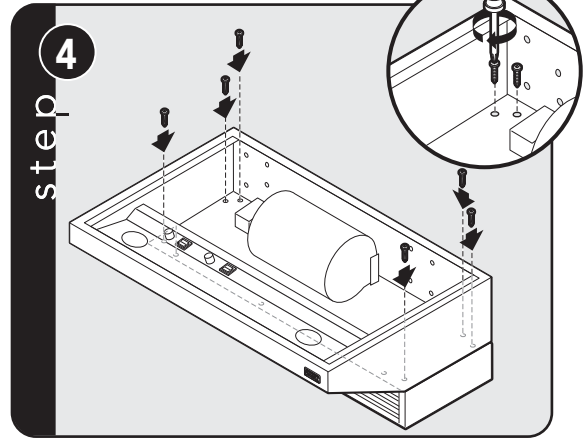
Turn recirculating unit upside down. Place vent hood upside down on recirculating unit.

Installation

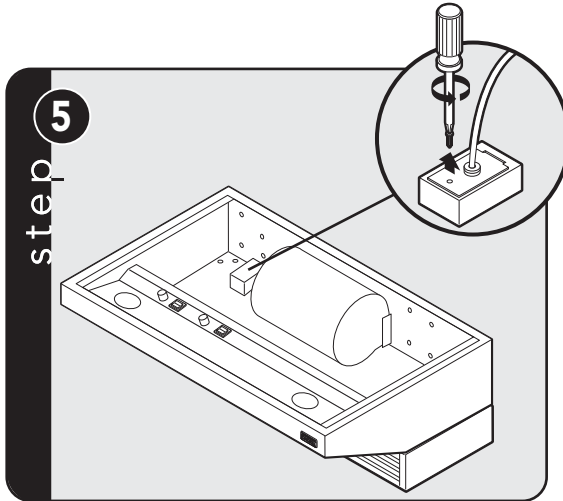
(VWH/CVWH 10"H./12"H. Wall Hoods w/Recirculating Kit)



Attach with screws and lock washers provided.



Attach with screws.

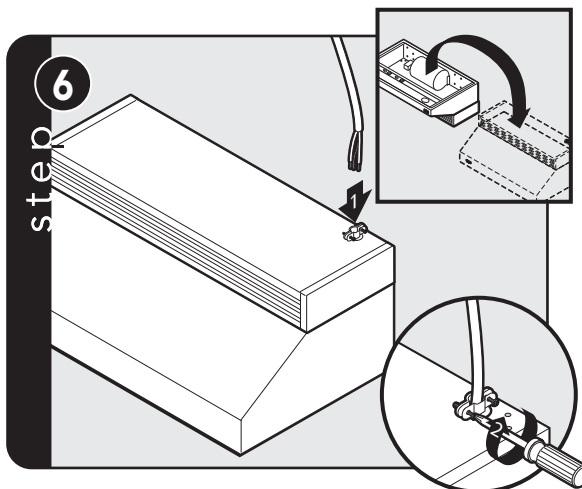


Remove electrical box cover.

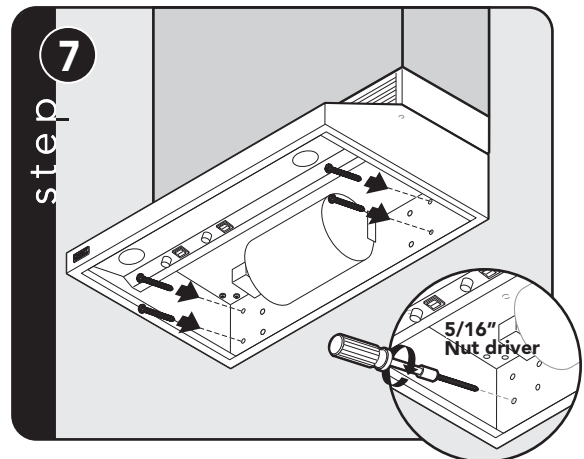
⚠ WARNING

To reduce the risk of fire, electric shock, or injury to persons, observe the following:

- Use this unit only in the manner intended by the manufacturer. If you have any questions, contact the manufacturer.
- Before servicing or cleaning unit, switch power off at service panel and lock service panel to prevent power from being switched on accidentally. When the service disconnecting means cannot be locked, securely fasten a prominent warning device, such as a tag, to the service panel.



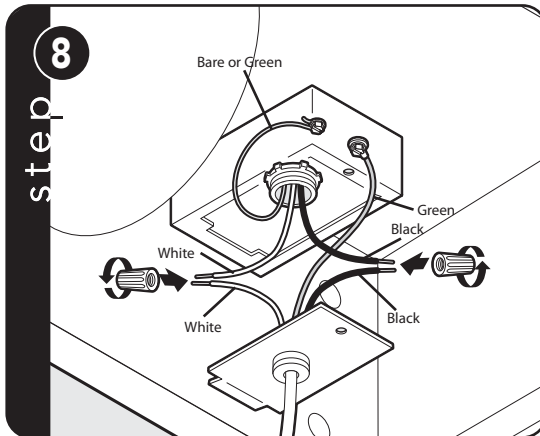
Flip hood over. Insert 6" of electrical wiring through the top of vent hood and secure. Refer to local codes.



CAUTION: Secure vent hood. Make sure mounting screws are secured into framing. Use additional mounting screws and wall anchors, if necessary.

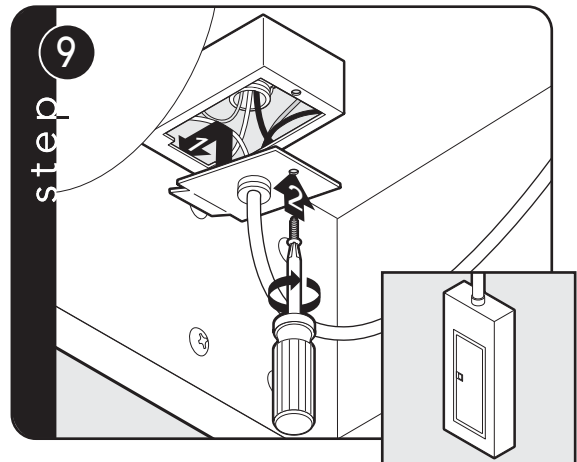
Installation (con't)

(VWH/CVWH 10"H./12"H. Wall Hoods w/Recirculating Kit)

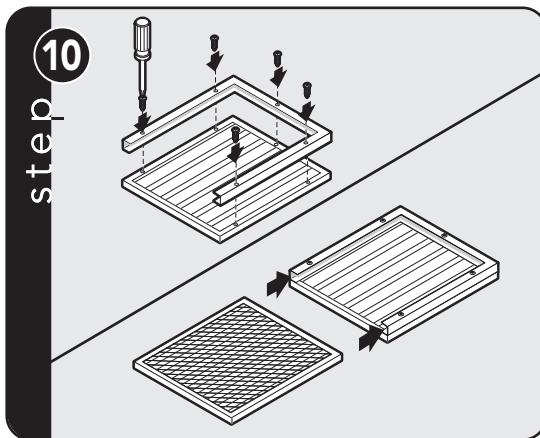


Connect black to black, white to white, and the green/bare wire under the green screw.

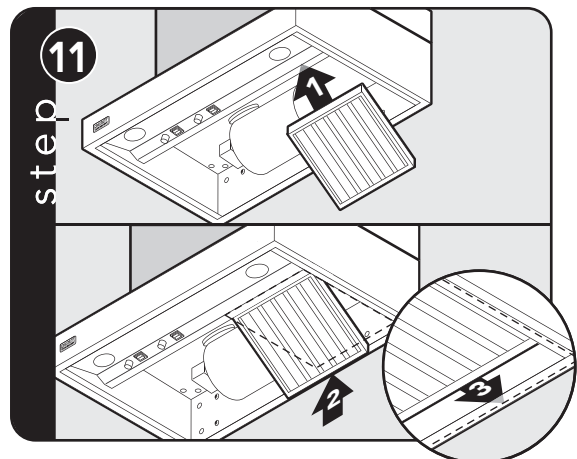
NOTE: Housing wiring must be properly installed for wiring to be correct when wiring unit.



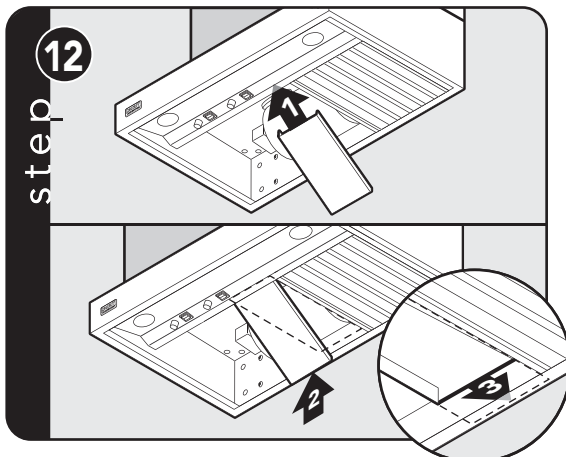
Replace electrical box cover. Make connection to breaker box.



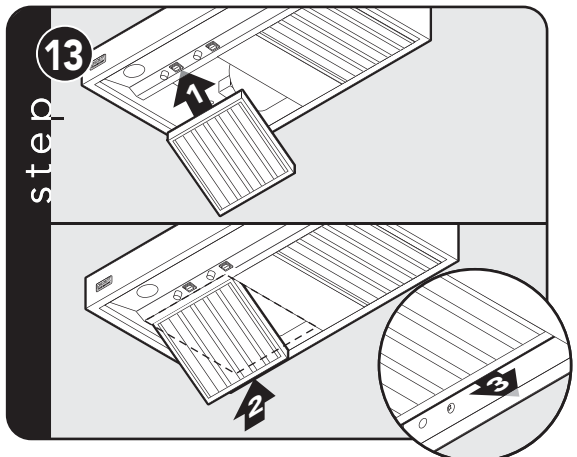
Assemble brackets to baffles and insert charcoal filters.



Slide filter front over front lip. Push filter rear up, then slide back over rear lip.



Slide spacer front over front lip. Push spacer rear up, then slide back over rear lip.

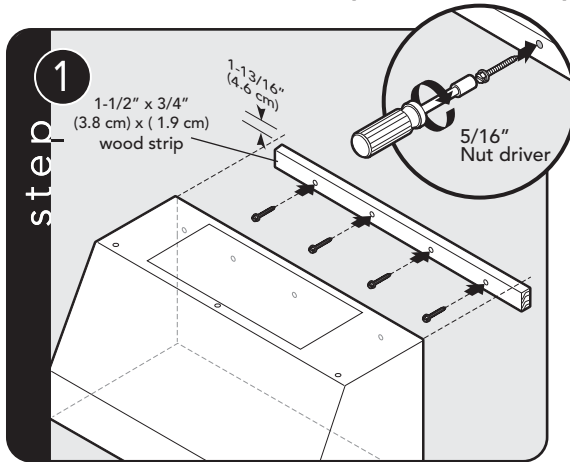


Slide filter front over front lip. Push filter rear up, then slide back over rear lip.

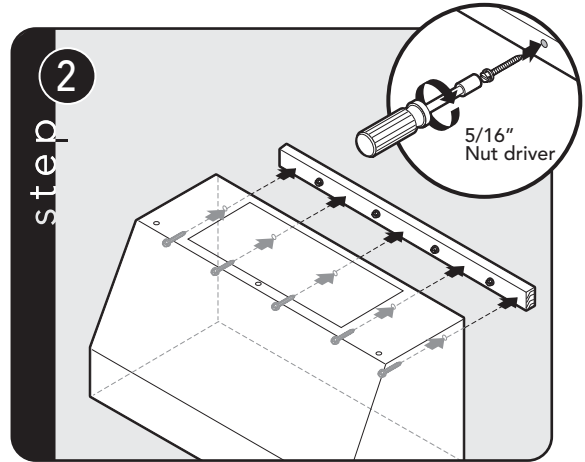
Installation

(VWH/CVWH 18" H. Wall & VCWH Chimney Wall Hoods) *For VCWH hoods, begin with Step

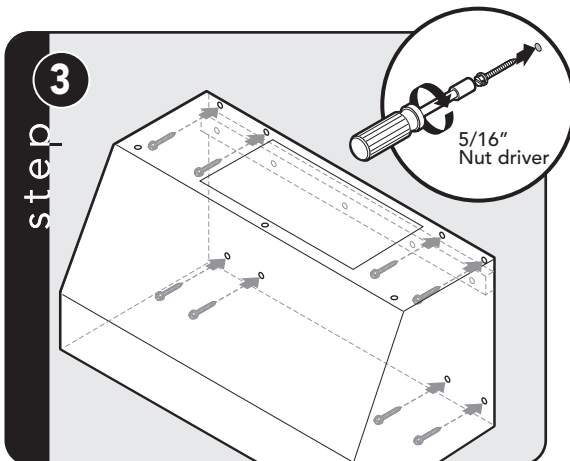
3. The VCWH hoods do not require the wood strip



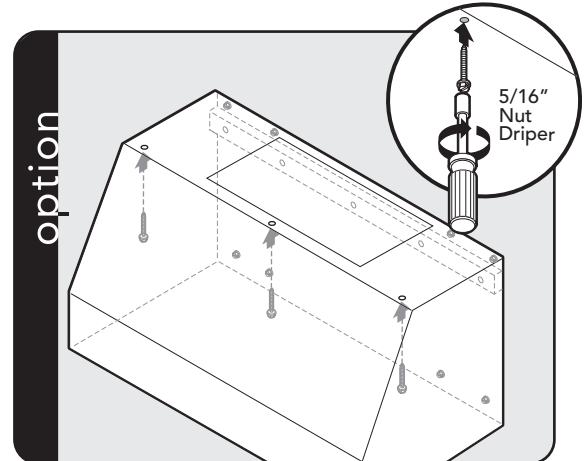
VWH/CVWH only! Measure down 1-13/16 (4.6 cm) from desired height of hood and secure 1-1/2" x 3/4" wood strip (provided locally) to wall using screws provided.



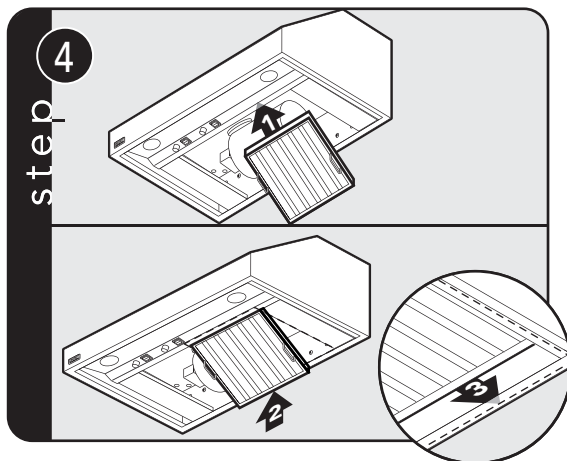
VWH/CVWH only! Use additional mounting screws to secure hood to wood strip.



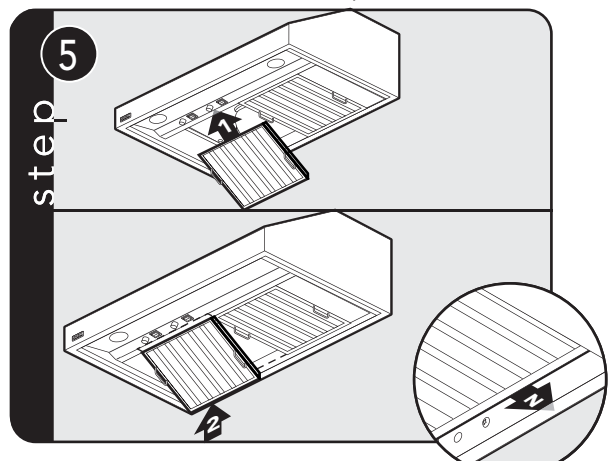
CAUTION: Secure vent hood to wall using screws provided. Use additional mounting screws and wall anchors, if necessary.



CAUTION: If not using a duct cover, using screws provided, make sure top mounting screws are secured into soffit or cabinet framing use additional mounting screws, if necessary.

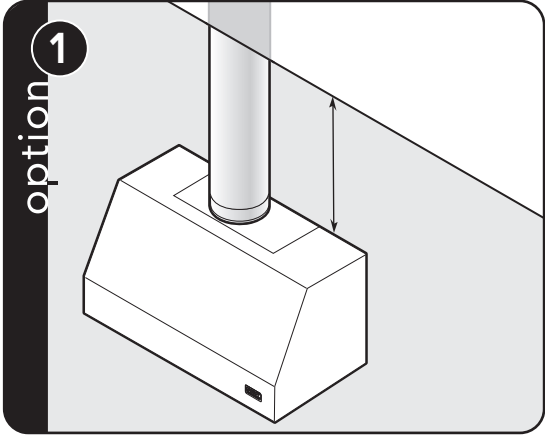


Slide filter front over front lip. Push filter rear up, then slide back over rear lip.

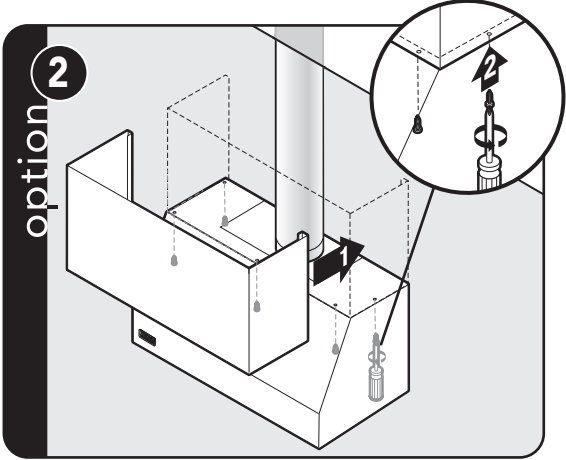


Slide filter front over front lip. Push filter rear up, then slide back over rear lip.

Duct Cover Option (VWH/CVWH 18"H. Wall Hoods)



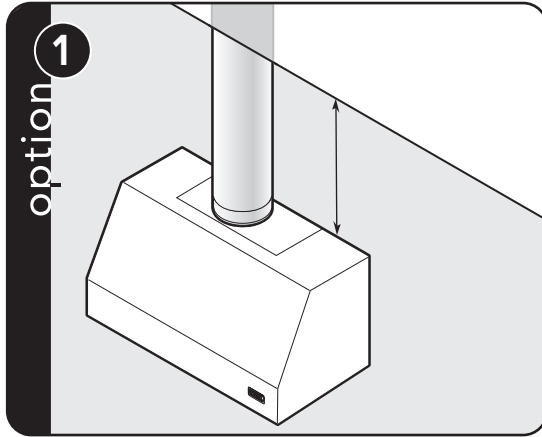
Measure distance from ceiling to canopy.



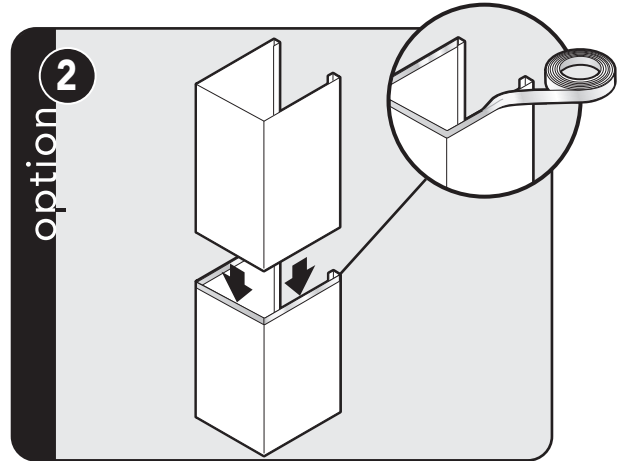
Slide the duct cover in place and fasten from inside canopy using the sheet metal screws provided.

To install ventillation kit refer to ventillation kit installation instructions.

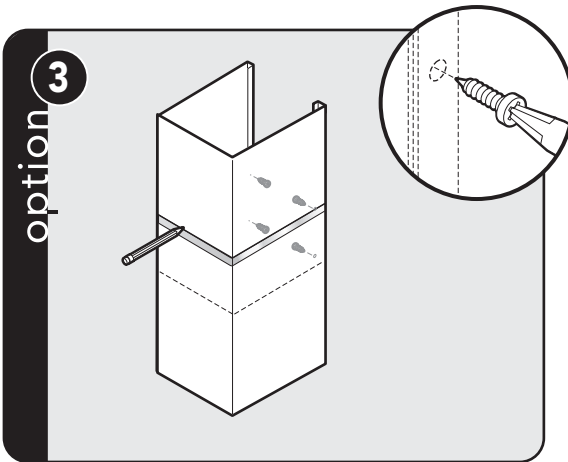
Duct Cover Option (VCWH/CVCWH Chimney Wall Hoods)



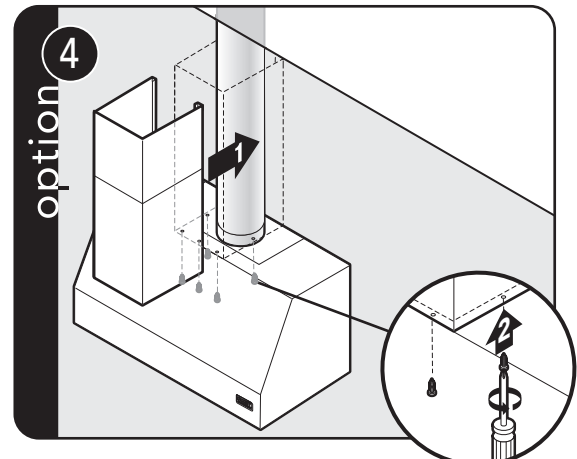
Measure distance from ceiling to canopy.



Tape to avoid scratching.

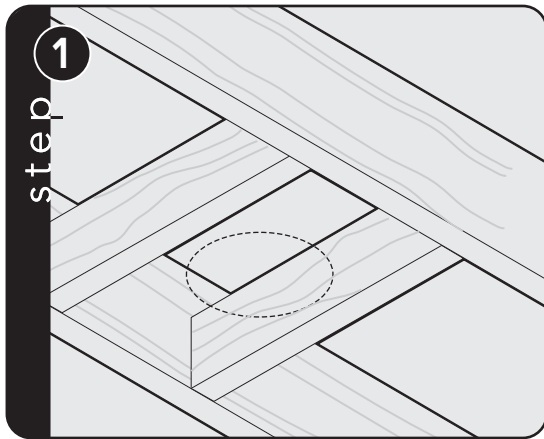


Place duct cover top inside duct cover base and lower until desired height is found. Mark height. Use the retaining nuts and bolts to fasten in place and remove tape.

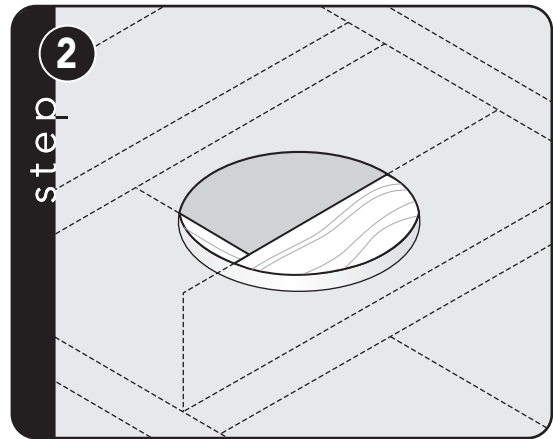


Slide the duct cover in place and fasten from inside canopy using the sheet metal screws provided.

Installation (VCIH/CVCIH Island Hoods)



Check framing where cutout will be.
NOTE: 200 lb. limit.



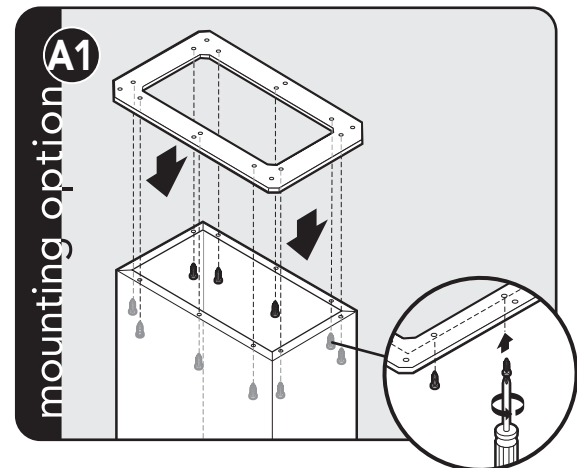
Cut appropriate size hole in ceiling. Either 7" or 10" depending on your specific unit and ventilator kit.

Mounting options:

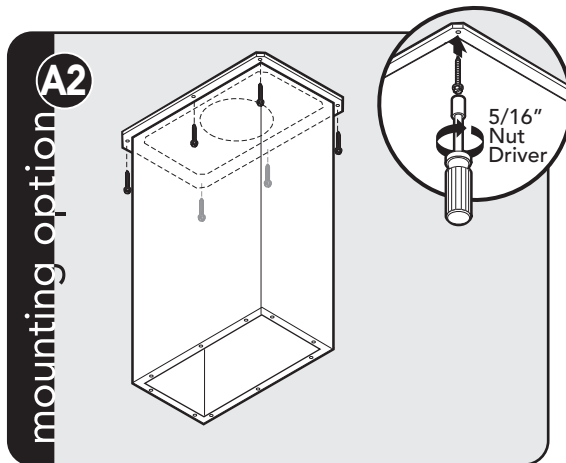
Using duct cover with ceiling mounting bracket. (Option A - VCIH only)

Using threaded rod for additional support. (Option B)

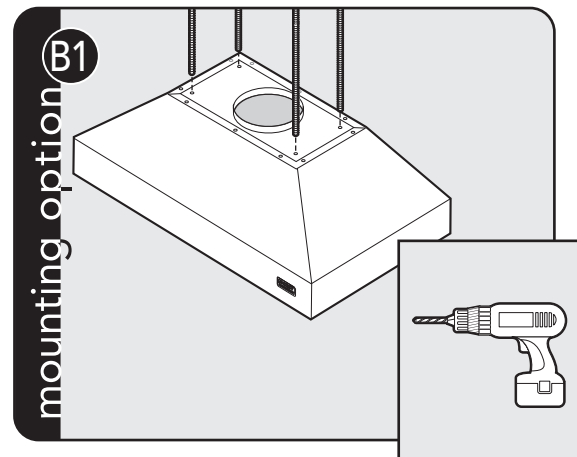
Attaching hood directly to soffit or duct cover. (Skip to step 3)



Attach duct cover to optional ceiling mounting bracket.

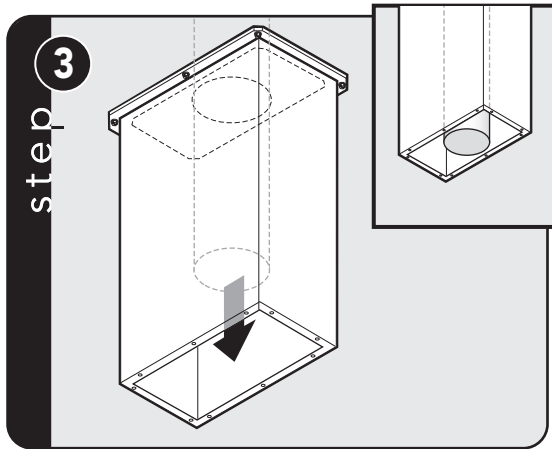


Attach duct cover to ceiling. The ceiling bracket can be hidden by using a locally supplied trim.

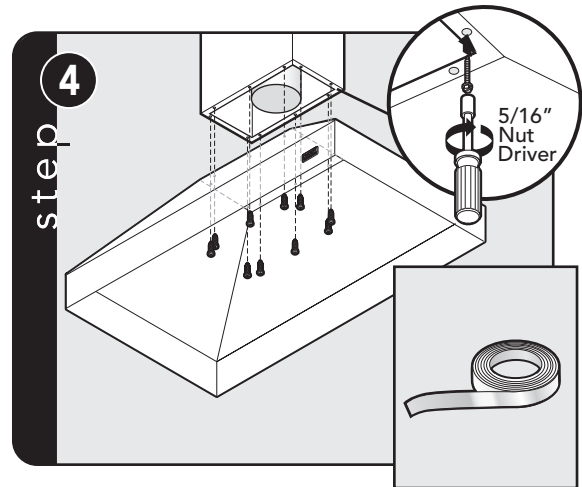


Additional support option. Drill holes in all four corners for threaded rod and run rods from hood to ceiling.

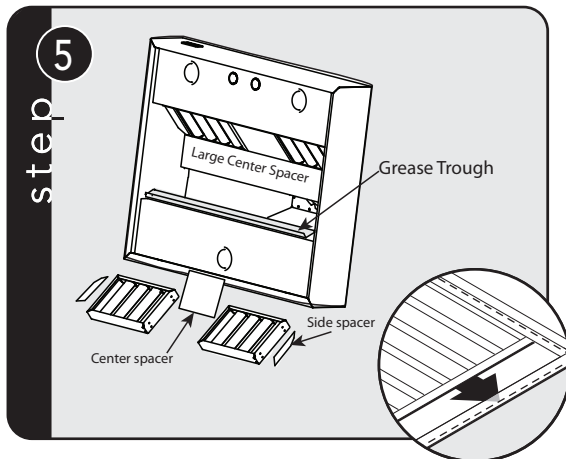
Installation (VCIH/CVCIH Island Hoods)



step 3
Run duct work down to bottom edge of duct cover/soffit and secure in place. Make sure the duct does not stick down past the cover.



step 4
Attach canopy to duct cover/soffit. Seal top of hood to duct with aluminum tape.



- step 5**
- Install larger center spacer in middle of canopy
 - Slide grease trough down into filter support with lip facing upward
 - Attach long edge of side spacers to outer side of baffle filters to installed next to canopy. Number of filters will vary due to size. Spacers only go on the (4) filters next to canopy.
 - Insert small center spacer (36" and 42" models only).
 - Slide top part of baffle filter up and under large center spacer.
 - Push bottom of filter up and into grease trough.

To install ventilation kit refer to ventilation kit installation instructions.

Service & Registration

If service is required, call your dealer or authorized service agency. The name of the authorized service agency can be obtained from the dealer or distributor in your area.

Have the following information readily available.

- Model number
- Serial number
- Date purchased
- Name of dealer from whom purchased

Clearly describe the problem that you are having. If you are unable to obtain the name of an authorized service agency, or if you continue to have service problems, contact Viking Range, LLC at 1-888-(845-4641), or write to:

VIKING RANGE, LLC
PREFERRED SERVICE
111 Front Street
Greenwood, Mississippi 38930 USA

Record the information indicated below. You will need it if service is ever required. The model and serial number for your hood is located behind the baffle filter on the left side panel in the lower right corner.

Model no. _____ Serial no. _____

Date of purchase _____ Date installed _____

Dealer's name _____

Address _____

If service requires installation of parts, use only authorized parts to ensure protection under the warranty.

THIS MANUAL SHOULD REMAIN WITH THE HOOD FOR FUTURE REFERENCE.

Viking Range, LLC
111 Front Street
Greenwood, Mississippi 38930 USA
(662) 455-1200

For product information,
call 1-888-(845-4641)
or visit our web site at vikingrange.com

