



5 SERIES 30"W. INDUCTION RANGE

Viking Professional 5 Series – VIR

COMMERCIAL-TYPE COOKING POWER

- MagneQuick™ Induction Power Generators utilize magnetic energy for superior power, responsiveness, and efficiency
- Power management induction system provides a boost of superior power on select elements for faster boil times
- Wide range of surface elements and wattages
 - Right front – 7" 1,850-watt element
 - Right rear – 7" 1,850-watt element
 - Left front – 8" 3,700-watt boost/2,300-watt element
 - Left rear – 6" 1,400-watt element
 - One of the largest oven cavities in the industry
- **NEW** Heavy-duty BlackChrome™ knobs and square bezels shipped standard
- **EXCLUSIVE** – patented Vari-Speed Dual Flow™ Convection System has the largest convection fan in the industry; the 8-1/2" fan works bi-directionally for maximum airflow and excellent cooking results
- Concealed 10-pass dual bake element provides precise temperature control
- Large 10-pass broiler with heat reflector
- Rapid Ready™ Preheat provides one of the fastest preheat times, so your oven is ready to begin cooking when you are
- Oven has six porcelain-coated rack positions and comes standard with three oven racks
- **NEW EXCLUSIVE** – Gentle Close™ Door allows door to close slowly
- **NEW** larger window opening
- Three strategically located oven lights provide maximum visibility
- High-performance cooking modes include bake, convection bake, TruConvec convection cooking, convection roast, broil, convection broil, convection dehydrate, and convection defrost



EASY OPERATION AND CLEANUP

- Strong, wear-resistant glass ceramic surface for excellent cleanability
- Self-cleaning porcelain oven
- Concealed 10-pass dual bake element makes for easy cleanup of the oven cavity

MODEL NUMBER

- VIR5304B – 30"W. Induction Range; four burners

ACCESSORIES

- BG8530SS – 8"H. backguard for 30" range
- HS24530SS – high shelf for 30" range
- P24CSTSS – countertop side trim (2 pieces)
- P30CRTSS – countertop rear trim for 30" range
- P30CBF4SS – curb base and custom curb base front for 30" range

COLOR FINISHES

- Available in seven exclusive color finishes
- Stainless Steel (SS), Black (BK), White (WH), Apple Red (AR), Burgundy (BU), Cobalt Blue (CB), Graphite Gray (GG)



WARRANTY

- 2-year full – complete product
- 90-day full – cosmetic parts such as glass, painted items and decorative items
- 5-year limited – electric heating elements

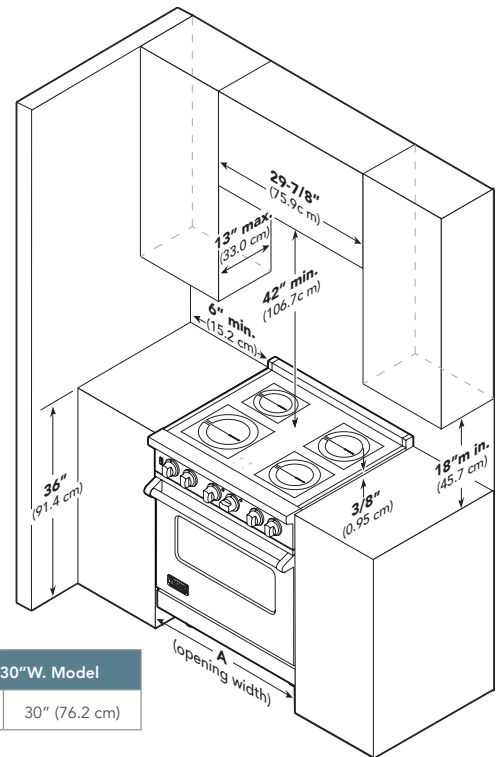
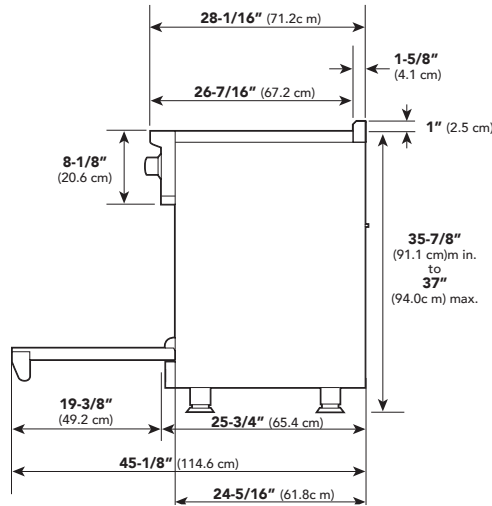
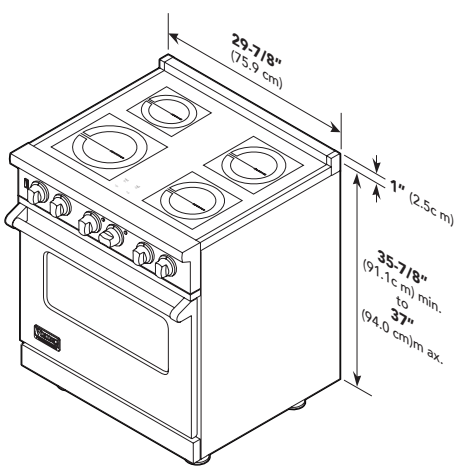


5 SERIES 30"W. INDUCTION RANGE

Viking Professional 5 Series – VIR

30"W. INDUCTION RANGE	
DESCRIPTION	VIR530
Overall Width	29 7/8" (75.9 cm)
Overall Height from Bottom	Base Height To top of glass frame – minimum 35 7/8" (91.1 cm) to maximum 37" (94 cm); legs adjust 1 1/8" (2.9 cm) Additions to Base Height To top of island trim – add 1" (2.5 cm); to top of backguard – add 8" (20.3 cm) To top of high shelf – add 23 1/2" (59.7 cm)
Overall Depth from Rear	To end of side panel – 24 5/16" (61.8 cm) To front of door – 25 3/4" (65.4 cm) To end of door handle – 28 11/16" (72.9 cm)
Gas Requirements	Shipped natural or LP/Propane gas; field convertible from natural to LP wit
Electrical Requirements	240-208VAC, 60 Hz electrical connection box on product, connect with locally supplied 3-wire, flexible cord or "pigtail" rated 40 amp 125-250VAC minimum. Cord must be agency approved for use with household electric ranges.
Maximum Amp Usage	240V – 54.9 amps 208V – 51.7 amps
Surface Burner/Element Rating	Left Front: 3,700-watt boost/2,300 watts Left Rear: 1,400 watt Right Front: 1,850 watts Right Rear: 1,850 watts
Oven Interior Dimensions	Overall Width – 25-5/16" (64.6 cm) Height – 16-1/2" (41.9 cm) Depth – 19-1/2" (49.5 cm) Overall Size – 4.7 cu. ft. AHAM Standard* – 4.1 cu. ft. 3 racks, 6 rack positions
Approximate Shipping Weight	426 lb. (191.7 kg)

Please do not prepare installation from brochure data only. See installation instructions for important clearance/installation information.
 **The AHAM Standard for measuring oven capacity subtracts the door plug and convection baffle dimension from the total oven volume.
 208V ratings – Time required for some functions may be extended due to less wattage.



30"W. Model	
A	30" (76.2 cm)



VIKING RANGE, LLC 111 FRONT STREET GREENWOOD, MISSISSIPPI 38930 USA

For detailed product information, model numbers, or to request a quote call 1-888-845-4641 or visit vikingrange.com
 © 2017 Viking Range, LLC All rights reserved. Specifications subject to change without notice.