

Use & Care MANUAL



Outdoor Stainless Steel Cabinets

VBBO1601 / VBBO2602 / VURO3200 / VBO1811 / VBO1830 / VSBO2402 / VTOP1810

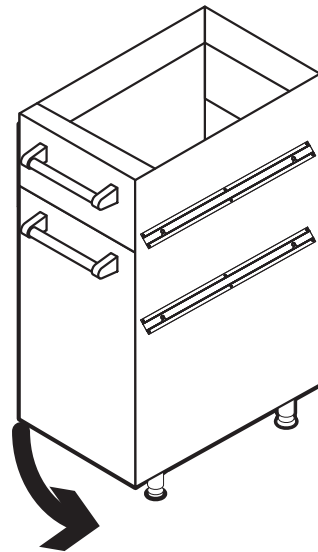
IMPORTANT - PLEASE READ AND FOLLOW

- Before beginning, please read these instructions completely and carefully.
- Do not remove permanently affixed labels, warnings, or plates from product. This may void the warranty.
- Outdoor stainless steel cabinets are not designed to be water tight. Water may enter cabinetry under certain conditions
- The installer should leave instructions with the consumer who should retain for future reference
- NEVER use LP tanks inside any stainless steel cabinetry. Tanks must be located outside of the cabinetry at all times.

TO INSTALL CABINETS:

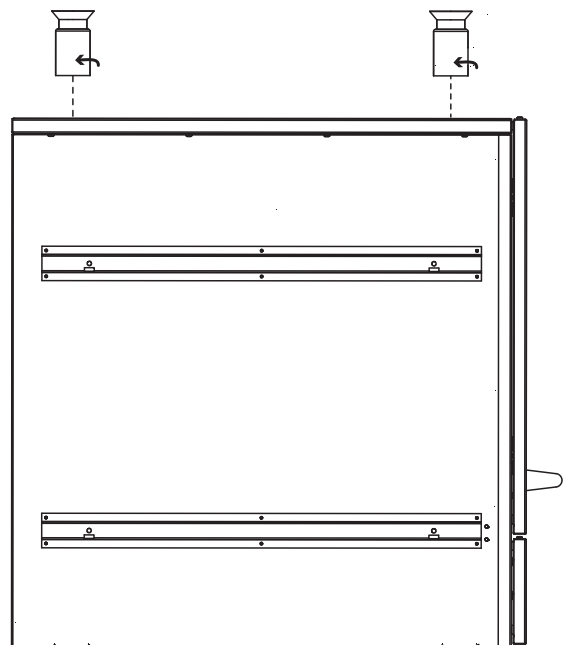
1. Verify cabinet product number(s) on box(es) to list of cabinets ordered.
2. Carefully unpack cabinets making sure not to scratch fronts. Front panels are protected by plastic coating (that must be removed after setup). Cabinets with interchangeable doors are shipped from the factory with opening from left to right as shown (See illustration #1).
3. In cabinets with interchangeable doors, hardware package will contain hole covers and hardware to install.

Illustration #1



4. Install 4 legs in the leg plates attached to bottom of each cabinet. Screw in place. (See illustration #2).

Illustration #2

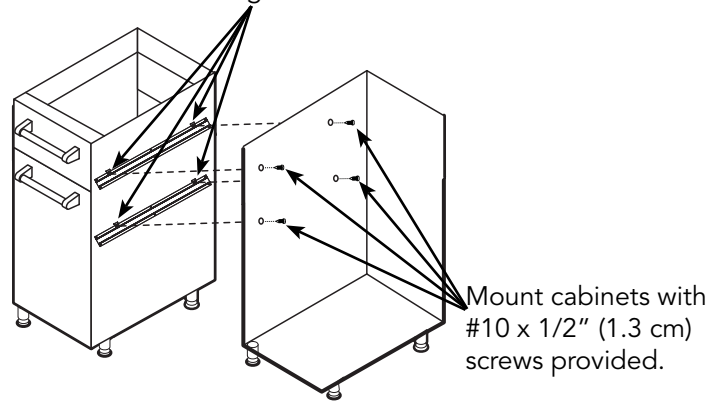


IMPORTANT - PLEASE READ AND FOLLOW!

5. Place cabinet(s) in approximate final position. Level cabinets using leveling legs. If installing two or more cabinets, use 1/2" SMS screws provided to screw them together. (See illustration #3).

Illustration #3

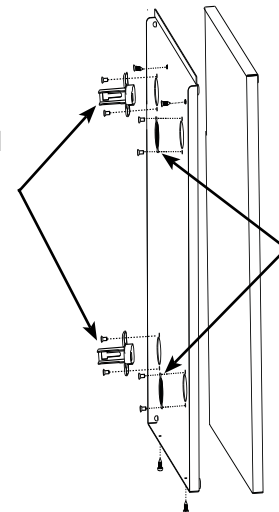
Install (4) Tinnerman clips (provided) before fastening cabinets together.



6. On cabinets with interchangeable left or right hand swing, determine appropriate hinge side for cabinets. Remove outside door panel. Install hinges by placing hinge bracket in hole in door and fasten in place with hardware provided. Screw hole plate covers in appropriate pre-drilled holes in cabinet side. Fasten hole covers with hardware provided. (See Illustration #4).

Use #8 x 3/8" (.95 cm) flat head M.S. and locknut to attach hinge bracket to the inside door

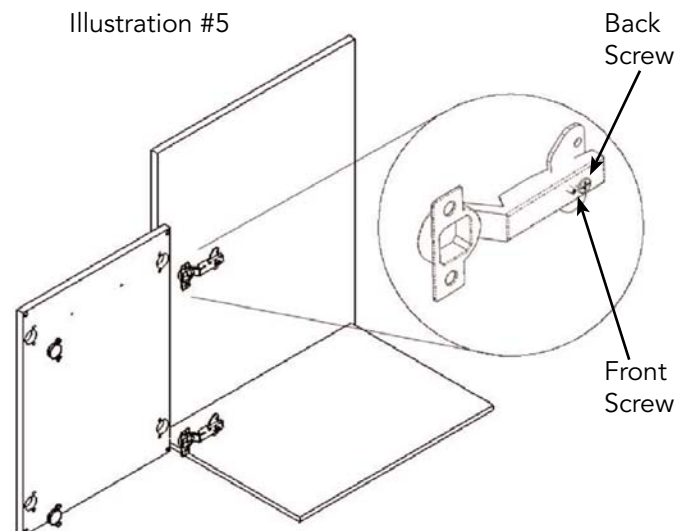
Use #8 x 3/8" (.95 cm) M.S. and locknut to fasten hole cover to inside door panel.



7. Cabinet doors must be adjusted when cabinets are level in final position. There are two adjustment screws on the hinge receiver. (See Illustration #5)

- The front screw is used to center the door in the opening. Turning the front screws in or out will center the door over the cabinet opening.
- The back screw is used to align the front of the door with the cabinet frame and secure the door to the cabinet. Slightly loosen the screw and slide door in or out. Retighten the screw to secure the door.

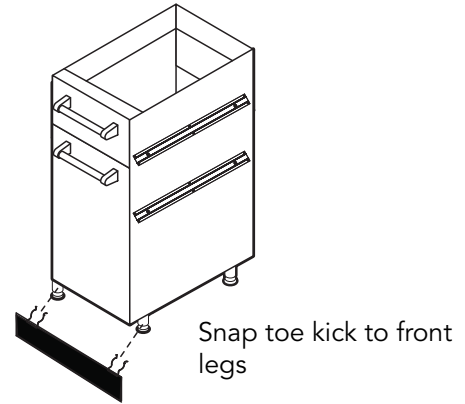
Illustration #5



INSTALLATION

8. If desired, snap toe kick included with each unit to front legs. (See illustration #6).

Illustration #6



9. SIDE PANEL INSTALLATION (End of Run Only)

- Remove all drawers. (If applicable)
- Remove all protective covering from panel and install using the #10 x 1/2" tek screws provided. (See Illustration #7)
- Attach toe kick to legs (See Illustration #6).

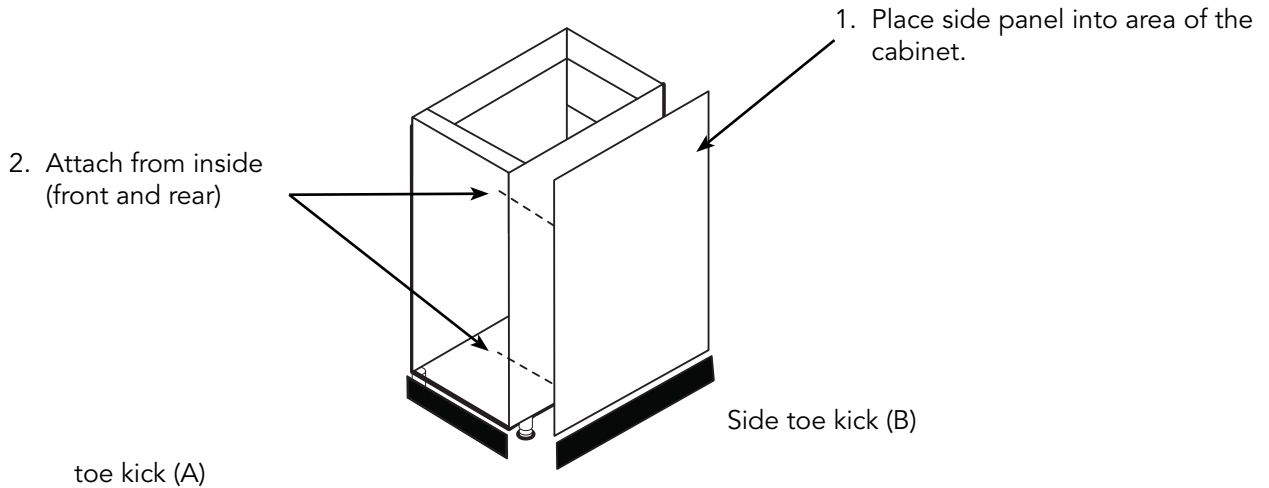
NOTE: FOR WALL INSTALLATIONS:

The front portion of the side toe kick must be shortened to match the front toe kick. (See Illustration #7). The plastic material can be cut with any common type wood saw blade.

FOR ISLAND INSTALLATIONS:

The side, front, and rear toe kick must be modified (See Illustration #7)

Illustration #7



LH Side panel Installation shown
(RH installs the same way)

	Toe Kick Dimensions Wall Installation	Island Installation
Front Toe Kick (A)	16 3/4" (42.5 cm)	16 3/4" (42.5 cm)
Side Toe Kick (B)	27 1/4" (61.6 cm)	25 1/2" (64.8 cm)
Rear Toe Kick (C)	N/A	16 3/4" (42.5 cm)

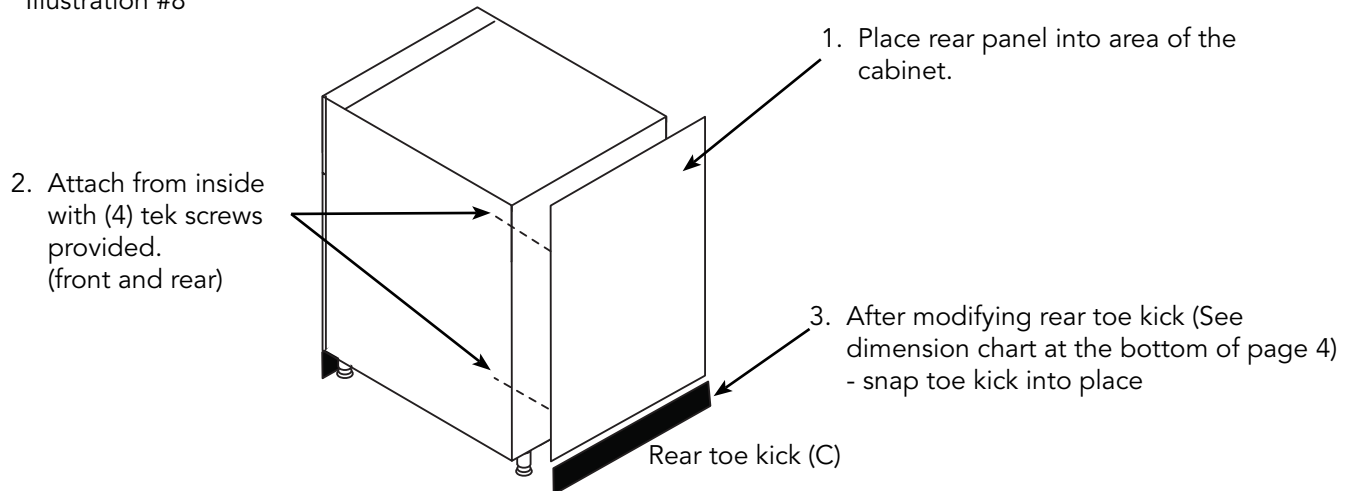
INSTALLATION

10. BACK PANEL INSTALLATION

- Remove all protective covering from panel and install using the 10 x 1/2" tek screws provided. (See Illustration #8).
- Attach rear toe kick to legs. (See illustration #8).

NOTE: For end of the run panels, the rear, front, and side toe kicks must be modified. (See illustrations #7 & #8)

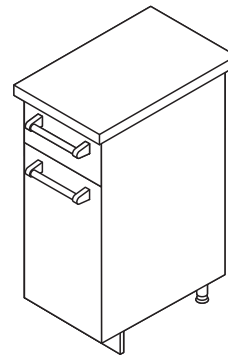
Illustration #8



11. INSTALL LOCALLY SUPPLIED COUNTERTOP

Viking outdoor cabinets are designed for a minimum countertop thickness of 1 1/8" (2.9 cm) such as you would find with granite or quartz material. If a countertop material thicker than 1 1/2" (3.8 cm) is used, the appliances should be shimmed to the proper height.

12. Install per appliance's installation instructions.



CLEANING AND MAINTENANCE

⚠ CAUTION

- Do not use any cleaning agent with chlorine or chlorine compounds on stainless steel finish. Chlorine and chlorine compounds are corrosive to stainless steel
- Do not use a metal knife or any other metal tool to scrape stainless steel parts
- Do not permit citrus or tomato juice to remain on stainless steel surfaces, as citric acid will permanently discolor stainless steel. Wipe up spills immediately.
- Do not use abrasive cleaners, steel wool pads, or abrasive cloths as they will scratch the finish.

1. Carefully remove protective plastic peel coat from each stainless steel surface. Clean stainless with stainless steel cleaner in direction of grain. Clean the stainless with any product made for stainless. Always rub with the grain direction. Rubbing across the grain direction may produce minor scratches. Some good cleaners are Stainless Steel Magic™, and Sheila Shine™.
2. In a salt air environment, small amounts of rust may accumulate on stainless steel. A slightly more oily cleaner like Sheila Shine™ will protect better against oxidation or slight surface rust. Cleaning the surfaces periodically will protect the finish for many years.

BASIC SPECIFICATIONS

	OVERALL WIDTH	OVERALL HEIGHT	OVERALL DEPTH
VBBO1601/CVBBO1601	15 5/8" (939.7 cm)	34 1/2" (87.6 cm)	29 7/8" (75.9 cm)
VBBO2602/CVBBO2602	26 3/8" (67.0 cm)	34 1/2" (87.6 cm)	29 7/8" (75.9 cm)
VBO1811/CVBO1811, including doors	18" (45.7 cm)	34 1/2" (87.6 cm)	29 7/8" (75.9 cm)
VTPO1810/CVTPPO1810, including doors	18" (45.7 cm)	34 1/2" (87.6 cm)	29 7/8" (75.9 cm)
VBO1830/CVBO1830, including doors	18" (45.7 cm)	34 1/2" (87.6 cm)	29 7/8" (75.9 cm)
VSBO2402/CSVBO2402, including doors	24" (61.0 cm)	34 1/2" (87.6 cm)	29 7/8" (75.9 cm)
VQBO4121/CVQBO4121, VQWO4120/CVQWO4120	41 7/8" (106.4 cm)	34 1/2" (87.6 cm)	29 7/8" (75.9 cm)
VQBO5322/CVQBO5322, VQWO5311/CVQWO5311	53 7/8" (136.8 cm)	34 1/2" (87.6 cm)	29 7/8" (75.9 cm)
VURO3200/CVURO3200	32" (81.3 cm)	34 1/2" (87.6 cm)	29 7/8" (75.9 cm)
VBPFLR4	4" (10.2 cm)	34 1/2" (87.6 cm)*	3/4" (1.9 cm)
VFLR4	4" (10.2 cm)	34 1/2" (87.6 cm)*	3/4" (1.9 cm)
VBFLR8	8" (20.3 cm)	34 1/2" (87.6 cm)*	3/4" (1.9 cm)
VFLR8	8" (20.3 cm)	34 1/2" (87.6 cm)*	3/4" (1.9 cm)
VSP30	29 7/8" (75.9 cm)	34 1/2" (87.6 cm)*	0"
VCF90	3" (7.6 cm)**	34" (86.4 cm)*	3/4" (1.9 cm)
VOCF90	33" (83.8 cm)**	34 1/2" (87.6 cm)*	3/4" (1.9 cm)
VCF135	3" (7.6 cm)**	34 1/2" (87.6 cm)*	3/4" (1.9 cm)
VOCF135	15 1/2" (39.4 cm)**	34 1/2" (87.6 cm)*	3/4" (1.9 cm)
VBP16	16" (40.6 cm)	34 1/2" (87.6 cm)*	3/4" (1.9 cm)
VBP18	18" (45.7 cm)	34 1/2" (87.6 cm)*	3/4" (1.9 cm)
VBP24	24" (61.0 cm)	34 1/2" (87.6 cm)*	3/4" (1.9 cm)
VBP26	26 3/8" (67.0 cm)	34 1/2" (87.6 cm)*	3/4" (1.9 cm)
VBP32	32" (81.3 cm)	34 1/2" (87.6 cm)*	3/4" (1.9 cm)
VBP41	41 7/8" (106.4 cm)	34 1/2" (87.6 cm)*	3/4" (1.9 cm)
VBP53	53 7/8" (136.8 cm)	34 1/2" (87.6 cm)*	3/4" (1.9 cm)

*includes provided toe kick

**from inside of turn to next cabinet

SERVICE INFORMATION

If service is required, call your authorized service agency.

Have the following information readily available:

- Model number
- Serial number
- Date purchased
- Name of dealer from whom purchased

Clearly describe the problem that you are having. If you are unable to obtain the name of an authorized service agency, or if you continue to have service problems, contact Viking Range at (888) 845-4641 or write to:

**VIKING RANGE, LLC
PREFERRED SERVICE
111 Front Street
Greenwood, Mississippi 38930 USA**

Record the information indicated below. You will need it if service is ever required.

Model No. _____ Serial No. _____

Date of Purchase _____ Date Installed _____

Dealer's Name _____

Address _____

If service requires installation of parts, use only authorized parts to insure protection under the warranty.

Keep this manual for future reference.

WARRANTY

PROFESSIONAL SERIES OUTDOOR STAINLESS STEEL WARRANTY TWO YEAR FULL WARRANTY

Outdoor cabinets and all of their component parts, except as detailed below*, are warranted to be free from defective materials or workmanship in normal residential use for a period of two (2) years from the date of original retail purchase or closing date for new construction, whichever period is longer. Viking Range, LLC, warrantor, agrees to repair or replace, at its option, any part which fails or is found to be defective during the warranty period.

*FULL NINETY (90) DAY COSMETIC WARRANTY: Decorative items are warranted to be free from defective materials or workmanship (such as scratches on stainless steel, etc.) for a period of ninety (90) days from the date of original retail purchase. ANY DEFECTS MUST BE REPORTED TO THE SELLING DEALER WITHIN NINETY (90) DAYS FROM DATE OF ORIGINAL RETAIL PURCHASE. Viking Range, LLC uses the most up-to-date processes and best materials available to produce all finishes. However, slight color variation may be noticed because of the inherent differences in lighting, product locations, and other factors. Therefore, this warranty does not apply to variations attributable to such factors.

TWO YEAR FULL WARRANTY

Any door hinges or drawer slides which fail due to defective materials or workmanship in normal household use during the second year from the date of original retail purchase will be repaired or replaced, free of charge for the part itself, with the owner paying all other costs, including labor.

LIFETIME LIMITED WARRANTY

During the life of the product, any stainless steel parts found to be defective in material or workmanship will be repaired or replaced, free of charge for the part itself, with the owner paying all other costs, including labor. This warranty excludes surface corrosion or rust, scratches, discoloration, water or atmospheric conditions, or cleaning practices which are part of normal residential use.

This warranty extends to the original purchaser of the product warranted hereunder and to each transferee owner of the product during the term of the warranty.

TERMS AND CONDITIONS

This warranty extends to the original purchaser of the product warranted hereunder and to each transferee owner of the product during the term of the warranty and applies to products purchased and located in the United States and Canada. Products must be purchased in the country where service is requested. If the product or one of its component parts contains a defect or malfunction during the full warranty period after a reasonable number of attempts by the warrantor to remedy the defect or malfunction, the owner is entitled to either a refund or replacement of the product or its component part or parts. Replacement of a component part includes its free installation, except as specified under the limited warranty. Under the terms of this warranty, service must be performed by a factory authorized Viking Range, LLC service agent or representative. Service will be provided during normal business hours, and labor performed at overtime or premium rates shall not be covered by this warranty.

Owner shall be responsible for proper installation, providing reasonable and necessary maintenance, providing proof of purchase upon request, and making the appliance reasonably accessible for service. The return of the Owner Registration Card is not a condition of warranty coverage. You should, however, return the Owner Registration Card so that Viking Range, LLC can contact you should any question of safety arise which could affect you. This warranty gives you specific legal rights, and you may also have other rights which may vary from jurisdiction to jurisdiction.

WHAT IS NOT COVERED BY THIS WARRANTY: This warranty shall not apply to damage resulting from abuse, failure to provide reasonable and necessary maintenance, accident, delivery, negligence, natural disaster, loss of electrical power to the product for any reason, alteration, outdoor use, improper installation, improper operation, or repair or service of the product by anyone other than an authorized Viking Range, LLC service agency or representative. This warranty does not apply to commercial usage.

LIMITATION OF REMEDIES AND DURATION OF IMPLIED WARRANTY OWNER'S SOLE AND EXCLUSIVE REMEDY FOR A CLAIM OF ANY KIND WITH RESPECT TO THIS PRODUCT SHALL BE THE REMEDIES SET FORTH ABOVE. VIKING RANGE, LLC IS NOT RESPONSIBLE FOR CONSEQUENTIAL OR INCIDENTAL DAMAGE, INCLUDING BUT NOT LIMITED TO FOOD OR MEDICINE LOSS, DUE TO PRODUCT FAILURE, WHETHER ARISING OUT OF BREACH OF WARRANTY, BREACH OF CONTRACT OR OTHERWISE. Some jurisdictions do not allow the exclusion or limitation of incidental or consequential damages, so the above limitation or exclusions may not apply to you. **ANY IMPLIED WARRANTIES OF MERCHANTABILITY OR FITNESS FOR A PARTICULAR PURPOSE APPLICABLE TO THIS PRODUCT ARE LIMITED IN DURATION TO THE PERIOD OF COVERAGE OF THE APPLICABLE EXPRESS WRITTEN LIMITED WARRANTIES SET FORTH ABOVE.** Some states do not allow limitations on how long an implied warranty lasts, so the above limitation may not apply to you.

WARRANTY SERVICE: To obtain warranty service, contact an authorized Viking Range, LLC service agent, or Viking Range, LLC, 111 Front Street, Greenwood, Mississippi 38930, (888) 845-4641. Provide model and serial number and date of original purchase or closing date for a new construction. For the name of your nearest authorized Viking Range, LLC service agency, call Viking Range, LLC. **IMPORTANT:** Retain proof of original purchase to establish warranty period.

Specifications subject to change without notice.

Viking Range, LLC
111 Front Street
Greenwood, Mississippi 38930 USA
(662) 455-1200

For product information,
call 1-888-(845-4641)

or visit the Viking Web site at vikingrange.com in the U.S. or brigade.ca in Canada.