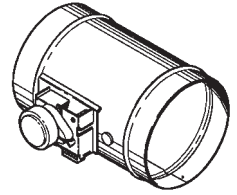


# AUTOMATIC MAKE-UP AIR DAMPER WITH TRANSFORMER & PRESSURE SWITCH



## READ AND SAVE THESE INSTRUCTIONS

**! FOR RESIDENTIAL USE ONLY !**

### WARNING



**TO REDUCE THE RISK OF FIRE, ELECTRIC SHOCK, OR INJURY TO PERSONS, OBSERVE THE FOLLOWING:**

1. Installation work and electrical wiring must be done by a qualified person(s) in accordance with all applicable codes and standards, including fire-rated construction codes and standards.
2. Validated performance testing certified for use with BEST, Broan, and Broan Elite range hoods.
3. This unit is not designed to provide combustion air for fuel-burning appliances.
4. Do not connect the unit directly to a combustion appliance of any type.
5. Sufficient air is needed for proper combustion and exhausting of gases through the flue (chimney) of fuel burning equipment to prevent backdrafting. Follow the heating equipment manufacturer's guideline and safety standards such as those published by the National Fire Protection Association (NFPA), and the American Society for Heating, Refrigeration and Air Conditioning Engineers (ASHRAE), and the local code authorities.
6. Before servicing or cleaning unit, switch power off at service panel and lock the service disconnecting means to prevent power from being switched on accidentally. When the service disconnecting means cannot be locked, securely fasten a prominent warning device, such as a tag, to the service panel.
7. When performing installation, servicing or cleaning the unit, it is recommended to wear safety glasses and gloves.
8. During extreme weather events including snow storms, ensure that the intake area for the outside air duct is not blocked and able to provide a clear pathway for outside air to enter the system.
9. When cutting or drilling into wall or ceiling, do not damage electrical wiring or other hidden utilities.
10. When notching or drilling into framing including floor supports, rim joists, and wall studs, comply with code and manufacturer limitations on allowable modifications to these structural members.
11. This unit is intended to be installed within the home in a location protected from moisture.
12. This unit must be in an accessible location which allows for inspection of the unit.
13. Use this unit only in the manner intended by the manufacturer. If you have questions, contact the manufacturer at the address or telephone number listed in this document.
14. When federal, provincial or state legislation comprises more restrictive installation and/or certification requirements, the aforementioned requirements prevail on those of this document and the installer agrees to conform to these at his own expense.

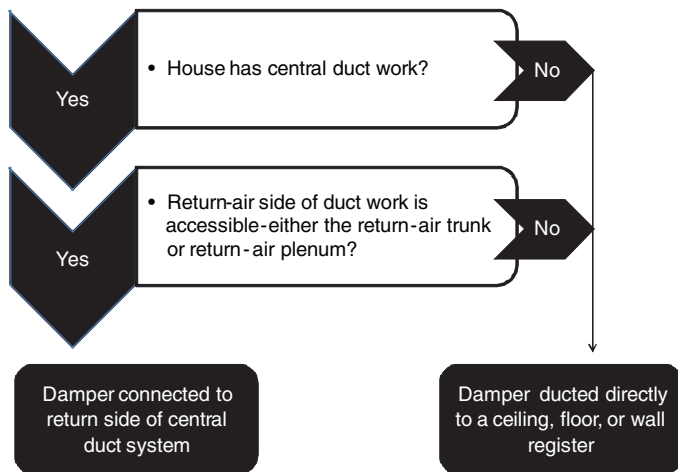
### CAUTION



1. Do not locate outside air inlet near hazardous materials or explosives.
2. Unit shall not be installed to introduce air from crawlspaces, garages, attics, adjacent dwelling units, or other locations within the building shell. Unit shall be installed to introduce air directly from outdoors.
3. Do not run the outside air duct directly above or closer than 2 ft to any furnace or its supply plenum, boiler, or other heat producing appliance.
4. Any ductwork used in conjunction with the Damper must be installed in compliance with all local and national codes that are applicable.
5. Do not operate the Damper for fresh air introduction until all system filters, including the central duct system filter, have been installed per the system design.
6. Please read the unit specification label on the product for further information and requirements.
7. The Damper's outdoor air intake, ducting, and any filters should be inspected and maintained on a regular basis.
8. Insulate the duct and damper to prevent build-up of condensation in cold weather climates. Vapor barriers on both sides of insulation are recommended.

## PLAN THE INSTALLATION

Planning the installation first requires selecting the most appropriate installation approach. The chart below offers suggestions for the most effective installation approach by considering a few important factors. Further details on the two main types of installations are provided below.



### OUTSIDE AIR INTAKE LOCATION

Proper design and location of the outside air intake location is critical in ensuring that the Damper can safely and reliably provide an opening for fresh air to enter the home. The following requirements for the location of the outside air intake must be met:

- Outside air intake is located a minimum of 10' from combustion appliance vents, chimneys, plumbing stacks, and bathroom or kitchen exhaust vents. If local codes have more stringent separation requirements, they shall apply.
- Outside air intake is placed high enough above grade to prevent blockage from snow or other debris such as leaves, and at a minimum of 1' above grade.
- Make-up air damper should not draw air from crawlspaces, garages, attics, adjacent dwelling units, or any enclosed part of the building. The Damper should be installed to draw air directly from outdoors.

### OUTSIDE AIR INTAKE OPENING PROTECTION

Because the Damper, together with the end cap and outside air duct which are installed with it, will allow outdoor air into the indoor environment, it is important to meet the following requirements:

- Fresh air inlet wall caps need protective bird screens to keep out animals and outside debris. Clean screens often and do not remove.
- If a protective bird screen other than the screen provided is used, it must cover the entire opening of the outside air duct. This screen must also have openings of at least 1/4" but no larger than 1/2".
- The outdoor air intake opening should meet local code provisions for the protection of openings in exterior walls, including steps to prevent moisture intrusion around the opening.

Note that the screen over the outside air opening is not a filter. It is intended to prevent the intake of leaves, animals, or debris into the outside air duct. A downstream filter is necessary to remove pollen, dust, and other airborne particles. Potential filter locations are shown below in the Typical Installations section.

### MINIMUM RETURN AIR TEMPERATURE REQUIREMENTS

HVAC equipment manufacturers may have minimum requirements for the air temperature in the return air plenum. Introducing outdoor air to the return side of the central duct system may impact this temperature. The installer should adjust both the size of the outside air duct and the location of its connection to the return side of the central duct system in a manner so that minimum air temperature requirements are satisfied under design conditions.

## WHAT IS INCLUDED IN THE PACKAGE

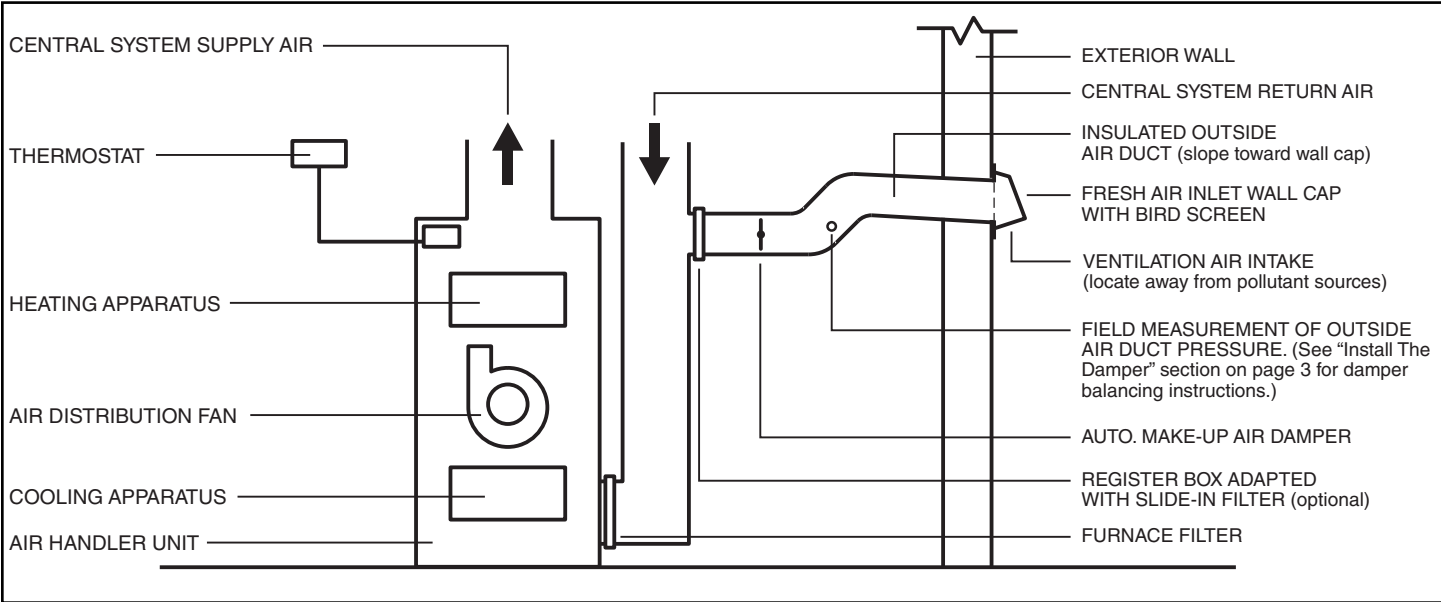
- Motorized Damper
- Transformer
- Pressure Switch Kit which includes:
  - Pressure Switch
  - Probe
  - 12" PVC tubing 1/4" I.D.
  - Gasket
  - (6) Sheet Metal Screws

## TOOLS REQUIRED

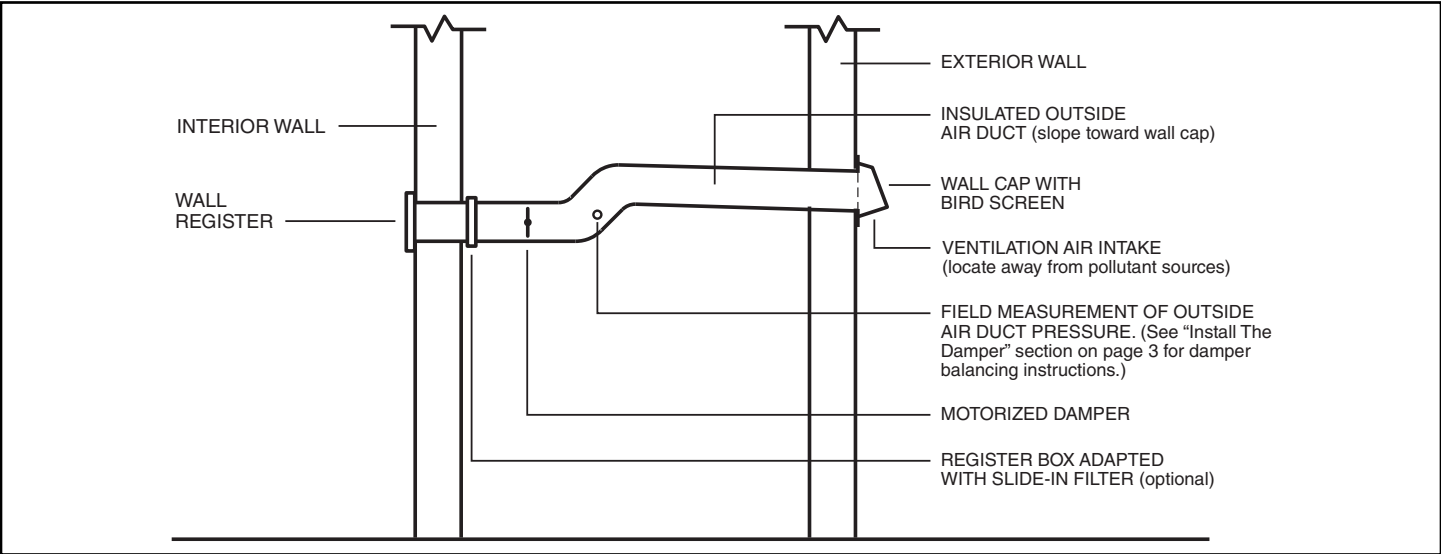
- 1/4" Socket Drive
- Flathead or Phillips Screw Driver
- 3/8" Drill Bit
- Duct Tape
- Low Voltage Wire (2 Conductor)
- (2) 1/4" Female Spade Terminals
- Wire Nuts

# TYPICAL INSTALLATIONS

Installations will vary according to the location in the home where the unit is installed and which model Damper is used. Use the following illustrations and notes as guidance for your own installation. Always comply with local code requirements and in any instance where a detail shown below conflicts with local code, the local code provision shall apply.

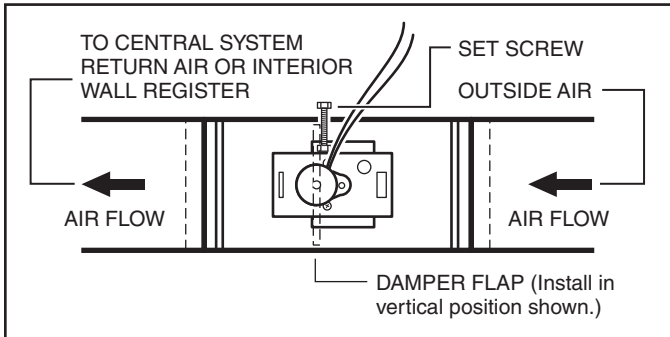


*Damper connected to return side of central duct system.*



*Damper and outside air duct connected directly to a ceiling, floor, or wall register.*

## INSTALL THE DAMPER



Install the damper as shown. Make sure damper flap is in a vertical position when closed and power is off. The set screw can be used to adjust the damper opening - thereby balancing the inside and outside air pressure when the range hood exhausts at high speed.

## PRESSURE SWITCH OPERATION

The pressure switch is designed to operate when the static pressure increases to 0.05" Ps or more. It may not operate at low speeds since the pressure is below this limit.

## MULTIPLE DAMPERS

More than one damper may be required to balance the system. Refer to local building codes. Multiple dampers can be ganged together with one pressure switch and one transformer - for up to three dampers.

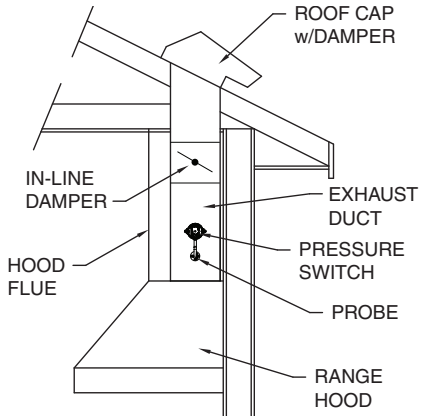
## INSTALLATION OF PRESSURE SWITCH AND PROBE

For the probe & pressure switch to work effectively the roof or wall cap must have a spring loaded damper.

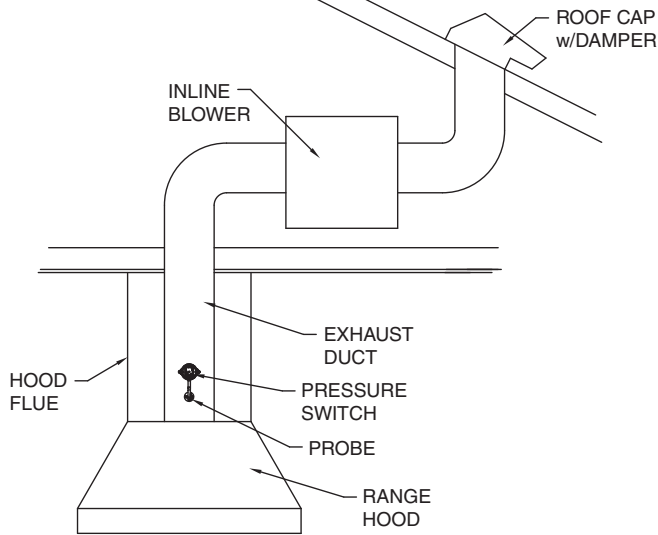
# LOCATION OF PROBE AND PRESSURE SWITCH

The probe must be mounted between the range hood damper and the wall cap, roof cap, in-line blower or external blower. Mount the probe as close to the hood outlet as possible but make sure the hood damper operation is not affected.

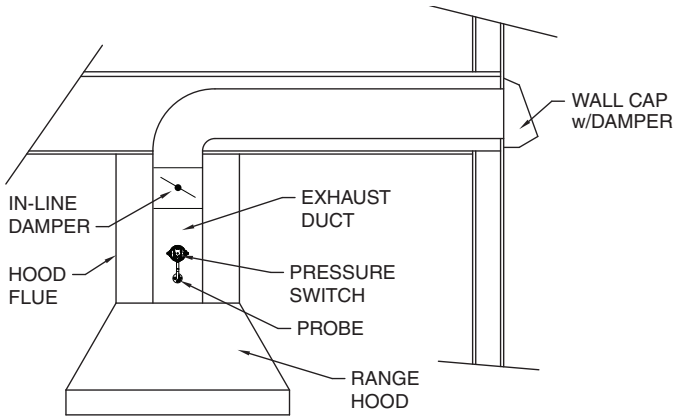
The pressure switch should be mounted so it is accessible for any future service. The switch can mounted no more than 72" away from the probe. If longer tubing is required then what is supplied, purchase 1/4" I.D. PVC tubing from a local source. See the illustrations below for possible installation scenarios.



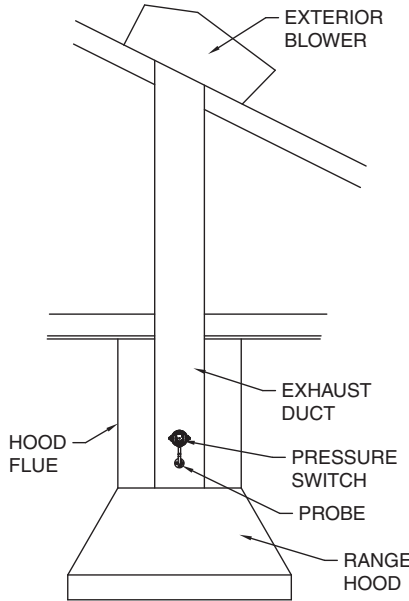
TYPICAL INSTALLATION WITH INTERNAL BLOWER AND ROOF VENT



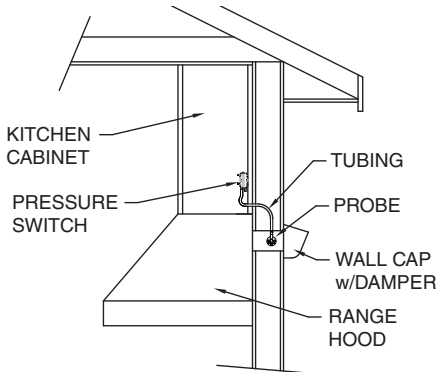
TYPICAL INSTALLATION WITH INLINE BLOWER



TYPICAL INSTALLATION WITH

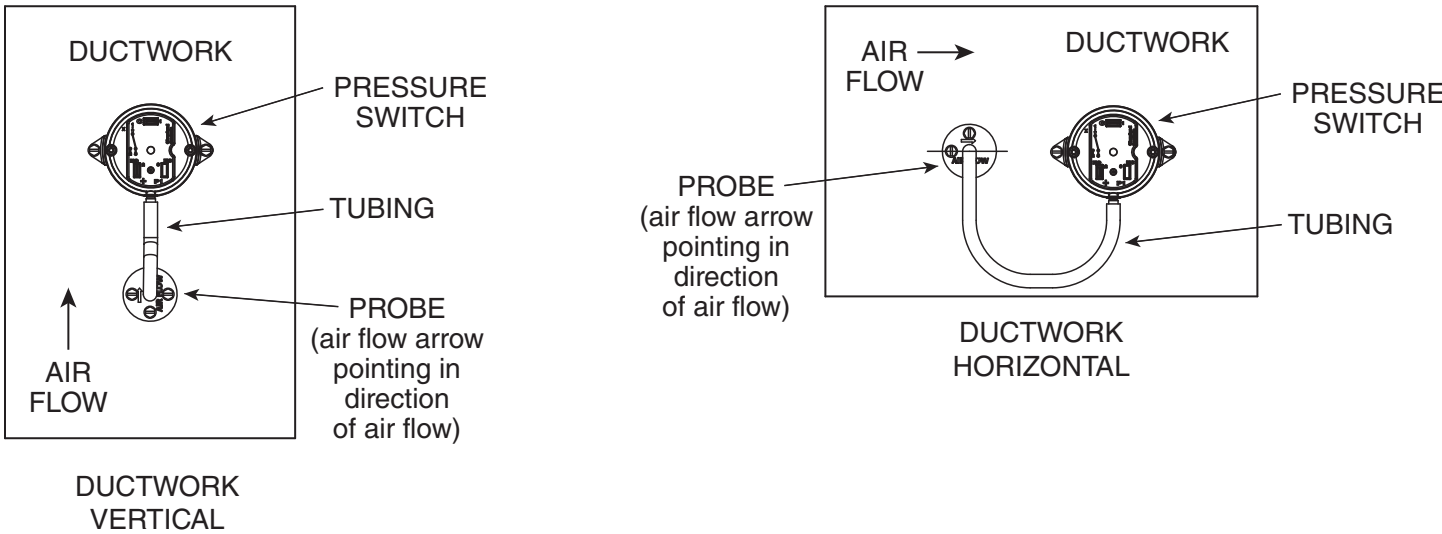


TYPICAL INSTALLATION WITH EXTERIOR BLOWER

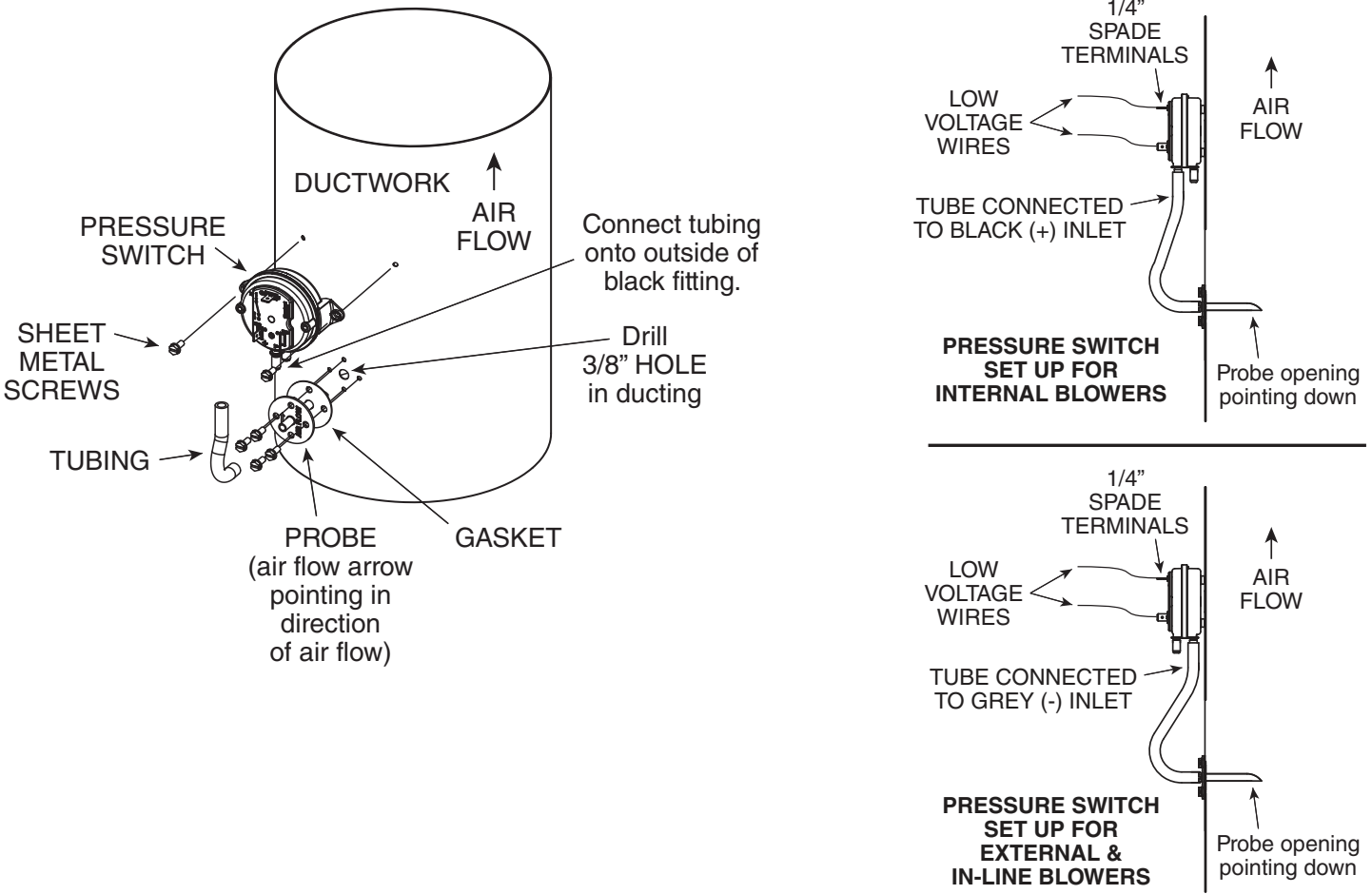


TYPICAL INSTALLATION WITH INTERNAL BLOWER AND HORIZONTAL

# MOUNTING POSITIONS OF PROBE & PRESSURE SWITCH

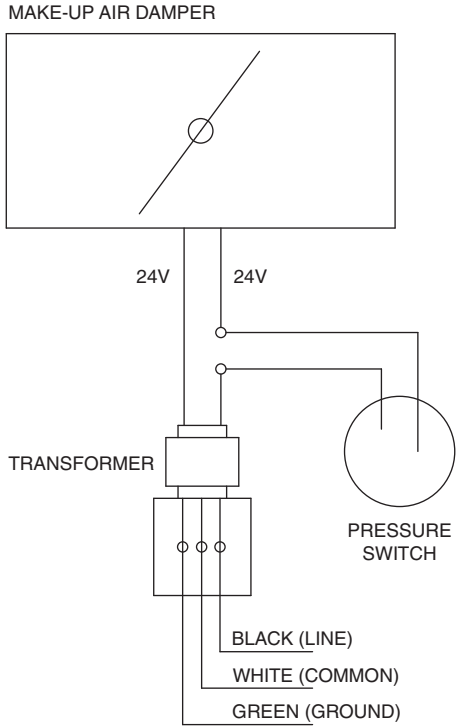


# MOUNT THE PROBE & PRESSURE SWITCH

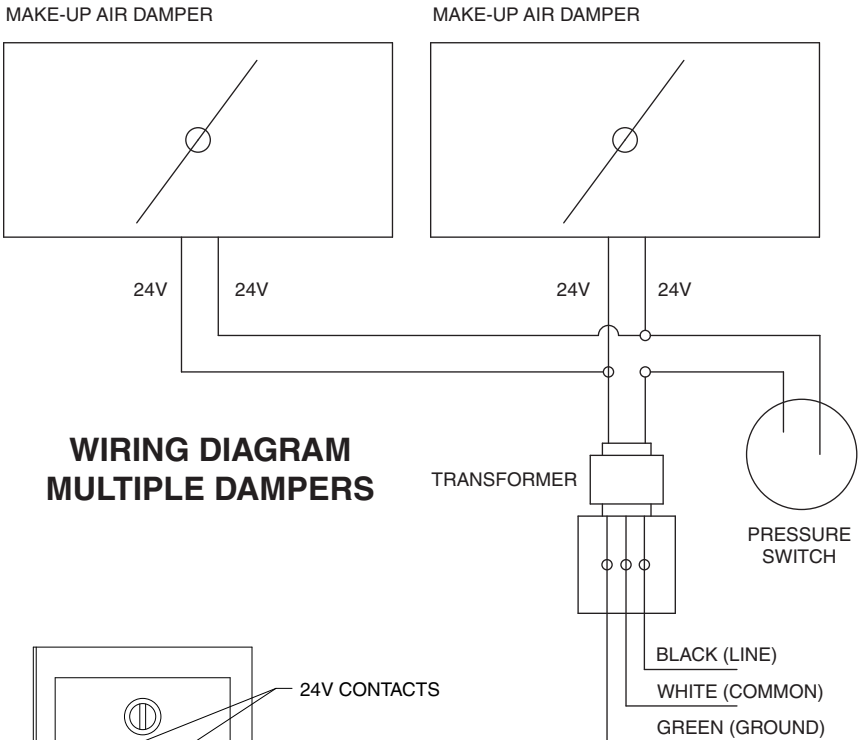


# WIRE THE SYSTEM

Wire the system as shown.



**WIRING DIAGRAM ONE DAMPER**



**WIRING DIAGRAM MULTIPLE DAMPERS**

**TRANSFORMER WIRING**

# TEST THE SYSTEM

Once the damper, pressure switch, and probe is installed. Turn on the range hood to high speed and confirm that the damper opens. Turn off the hood and check to see if the damper closes.

A qualified HVAC contractor should also ensure the proper operation and venting of all combustion equipment in the home.

# FALSE TRIPPING

Under certain extreme conditions there could be false tripping of the damper (opening when the range hood blower is off). If false tripping is encountered, place an in-line backdraft damper (not included) between the probe and the roof or wall cap.

# MAINTENANCE

Regular maintenance is necessary to ensure the proper operation of the Damper system. Failure to conduct such routine maintenance can jeopardize the ability of the Damper to introduce fresh air into the home. Regular maintenance should include the following activities:

- Clean the outside bird screen to ensure it is free from debris and open to allow fresh air to enter.
- Clean or replace the interior filter(s) which serve to filter fresh air before it enters the home.
- Maintain a clear opening at the outdoor end cap, which means preventing the buildup of snow, leaves, or vegetation at the end cap.
- During regular HVAC maintenance, have the mechanical contractor inspect the Damper system for proper operation.

# FREQUENTLY ASKED QUESTIONS (FAQS)

## 1. What does the Automatic Make-Up Air Damper do?

The Broan Automatic Make-Up Air Damper (the “Damper”) provides a pathway for fresh air to enter a home from outdoors when a compatible exhaust device is operating. The Damper opens when a range hood is operating, thereby creating a known, controlled point for fresh air to enter the home while air is being exhausted from the building by the range hood.

By operating in this manner, the Damper provides two key benefits for the home:

- It facilitates air exchange between indoors and outdoors, by helping to allow fresh air into the home to replace air which is exhausted out of the home.
- By allowing fresh air into the building when a compatible exhaust device is on, the Damper helps to avoid negative pressure conditions within the home which may interfere with the proper operation of combustion equipment within the home.

Overall, the Damper allows exhaust devices do their job more effectively and without interfering with the proper operation of other home systems.

## 2. Does the “Damper” provide combustion air for combustion appliances like a water heater or a furnace?

No. The Damper helps to replace air which is exhausted by a compatible range hood. But it does NOT help to replace air which is drawn from the indoors by a combustion appliance like a natural gas water heater, and it should not be relied upon to perform this function. One main reason for this restriction is that the Damper is only open when the range hood that it's connected to is operating. So there is no assurance that the Damper would be open when other appliances, like a water heater, are operating. Other means must be provided to ensure adequate combustion air for these appliances.

## 3. How do I know if I need make-up air for my range hood?

In some cases the local building code may tell you that make-up air is necessary. For example, some codes specify that range hoods with exhaust flows of 300 cubic feet per minute (CFM) or higher need a mechanical system to introduce make-up air.

In other cases, make-up air for a range hood is desirable regardless of whether code requires it. This is especially true for:

- larger range hoods (those over 300 cfm).
- homes which are well air-sealed - so outside air may not be able to easily find its way into the home through cracks, to replace air which is exhausted out.

- homes with atmospherically vented combustion appliances (i.e. a water heater or natural draft fireplace), which are more susceptible to improper venting if depressurization occurs in the home.

In homes with any one of these factors make-up air is advised. And in homes with more than one of these conditions make-up air for the range hood is strongly advised.

## 4. What are the benefits of providing make-up air to replace air which is exhausted out of the home by a range hood?

Range hoods are designed to pull out pollutants like cooking odors or moisture at the source, so they don't linger in the home. Because these fans pull air out of the house, this air needs to be replaced with “new” air from outdoors. Normally this make-up air enters the home through cracks and holes in the “shell” of the building. But modern homes are air-sealed much more thoroughly so there are not as many cracks and openings. Plus some exhaust fans like range hoods exhaust a lot more air than can be replaced through normal cracks in the building shell.

By providing an intentionally designed opening for fresh air to replace air which is exhausted out by the range hood, several important benefits result:

- The make-up air entering the home comes in at a known point, where it is also filtered
- Negative pressure conditions, which could arise if air is exhausted from a home without being replaced by new fresh air, are prevented
- Pollutants are more effectively exhausted from the home while fresh replacement air is drawn into the home, improving ventilation

## 5. Does ASHRAE 62.2-2007 – “Ventilation and Acceptable Indoor Air Quality in Low-Rise Residential Buildings” – require the use of a make-up air damper?

ASHRAE 62.2-2007 does not specifically require make-up air dampers. In a few limited circumstances, this standard does require that net exhaust flows from a house be limited. For example, Section 6.4 of the standard limits the net exhaust flow from a home's two largest exhaust appliances if the home has atmospherically vented or solid-fuel burning appliances located within the pressure boundary of the house. This standard is available at [www.ashrae.org](http://www.ashrae.org).

## 6. Can I use the Automatic Make-Up Air Damper with other equipment in my home?

No. The Automatic Make-Up Air Damper is intended for use with range hoods.

## 7. What are the different ways that the Damper can be installed in my home?

The most common way to install the Damper is to connect it to a home's central duct system. In this application, outside fresh air enters the home through the Damper and is then routed and distributed through the home's ducts.

## 8. What if my home doesn't have ducts?

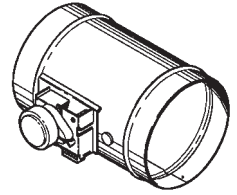
Homes without ducts can still utilize the Damper to help replace air which is exhausted from the home by the range hood.

## 9. What happens after a power outage?

The Damper system and the associated exhaust devices will not lose their settings following a power outage. So the system will resume its normal operation following a power outage, based on the settings it used prior to the outage.



# CLAPET AUTOMATIQUE D'AIR DE COMPENSATION AVEC TRANSFORMATEUR ET MANOCONTACTEUR



## LIRE CES DIRECTIVES ET LES CONSERVER

**⚠ POUR USAGE RÉSIDENTIEL SEULEMENT ⚠**

### AVERTISSEMENT



**OBSERVEZ LES DIRECTIVES CI-DESSOUS AFIN DE RÉDUIRE LES RISQUES D'INCENDIE, DE CHOC ÉLECTRIQUE OU DE BLESSURES CORPORELLES :**

1. La pose de l'appareil et les travaux d'électricité doivent être effectués par des personnes qualifiées conformément à la réglementation en vigueur, notamment les normes de la construction ayant trait à la protection contre les incendies.
2. Tests de performance validé certifié pour une utilisation avec et des hottes de cuisinière BEST, Broan, et Broan Elite.
3. Cet appareil n'est pas conçu pour procurer de l'air de combustion aux appareils de chauffage au mazout.
4. Ne raccordez pas directement cet appareil à un appareil combustion de quelque type que ce soit.
5. Pour éviter les refoulements, l'apport d'air doit être suffisant pour brûler les gaz produits par les appareils à combustion et les évacuer dans le conduit de fumée (cheminée). Respectez les directives du fabricant de l'appareil de chauffage et les normes de sécurité, notamment celles publiées par la National Fire Protection Association (NFPA), l'American Society for Heating, Refrigeration and Air Conditioning Engineers (ASHRAE) et les codes des autorités locales.
6. Avant de procéder à l'entretien ou au nettoyage de l'appareil, coupez l'alimentation du panneau électrique et verrouillez l'interrupteur principal afin d'empêcher que le courant ne soit accidentellement rétabli. S'il est impossible de verrouiller l'interrupteur principal, fixez solidement un message d'avertissement, par exemple une étiquette, sur le panneau électrique.
7. Il est conseillé de porter des lunettes de sécurité et des gants lors de l'installation, de l'entretien ou du nettoyage de l'appareil.
8. Par mauvais temps, comme lors d'une tempête de neige, assurez-vous que la prise d'air du conduit extérieur n'est pas obstruée et permet à l'air extérieur d'entrer librement dans le conduit.
9. Veillez à ne pas endommager le câblage électrique ou autres connexions non apparentes lors de la découpe ou du perçage d'un mur ou d'un plafond.
10. Si vous devez encocher ou percer les solives d'un plancher ou les montants d'un mur, veuillez respecter les codes et limitations du fabricant quant aux modifications acceptables de ces éléments de charpente.
11. Cet appareil est conçu pour être installé dans une habitation à un endroit à l'abri de l'humidité.
12. Il doit être placé dans un lieu accessible permettant son inspection.
13. N'utilisez cet appareil que de la manière prévue par le fabricant. Si vous avez des questions, communiquez avec le fabricant à l'adresse ou au numéro de téléphone indiqués dans ce document.
14. Lorsque les législations fédérales, provinciales ou d'état comportent des exigences plus sévères quant à l'installation et/ou l'homologation, celles-ci auront préséance sur celles de ce document et l'installateur s'engage à s'y conformer à ses frais.

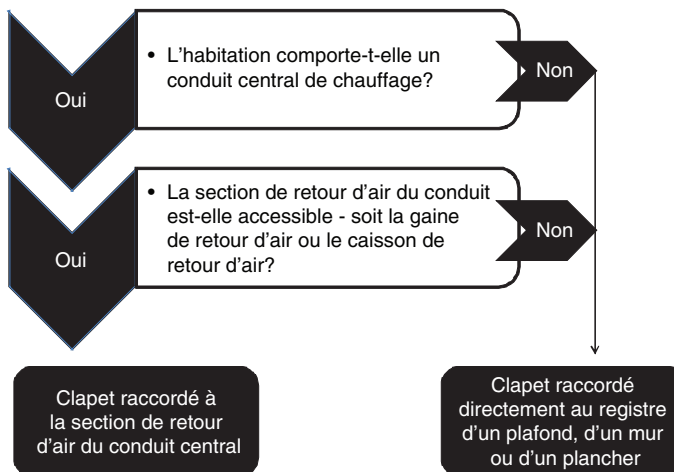
### ATTENTION



1. Ne situez pas la prise d'air extérieur près de matières dangereuses ou explosives.
2. L'installation de l'appareil ne doit pas permettre d'aspirer l'air d'un vide sanitaire, d'un garage, d'un grenier, d'un logement adjacent ni de tout autre espace situé à l'intérieur de l'enceinte de l'édifice. L'appareil doit être installé pour aspirer l'air directement de l'extérieur.
3. Ne placez pas le conduit d'arrivée d'air extérieur directement au-dessus d'un appareil de chauffage, d'un caisson de distribution ou d'une chaudière, ni à moins de 60 cm (2 pi).
4. Installez tout conduit utilisé avec le clapet conformément aux codes locaux et nationaux en vigueur.
5. N'utilisez pas le clapet pour introduire de l'air frais tant que les filtres, et notamment le filtre du conduit central du système, n'ont pas été installés tels que conçus.
6. Veuillez lire l'étiquette de spécifications du produit pour obtenir plus de renseignements, notamment sur les exigences.
7. La prise d'air extérieur du clapet, les conduits et les filtres doivent être régulièrement inspectés et entretenus.
8. Dans les climats froids, isolez le conduit et le clapet pour éviter la condensation. Il est conseillé de placer un coupe-vapeur des deux côtés de l'isolant.

# PLANIFICATION DE L'INSTALLATION

La planification de l'installation exige d'abord le choix du mode d'installation le plus approprié. Le tableau ci-dessous présente des suggestions pour le type d'installation le plus efficace compte tenu de quelques facteurs importants. De plus amples informations sur les deux principaux types d'installation sont présentées ci-dessous.



## EMPLACEMENT DE LA PRISE D'AIR EXTÉRIEUR

La conception et l'emplacement adéquats de la prise d'air extérieur sont indispensables au bon fonctionnement et à la fiabilité du clapet pour faire pénétrer de l'air frais dans la maison. Il importe de respecter les exigences suivantes lors du positionnement de la prise d'air :

- La prise d'air extérieur est située à au moins 3 m (10 pi) de tout événement d'appareil à combustion, cheminée, colonne de plomberie ou événement de salle de bain ou de cuisine. Si les exigences des codes locaux sont encore plus sévères, elles prévaudront.
- La prise d'air extérieur est à une hauteur suffisante pour empêcher qu'elle ne soit obstruée par la neige ou des débris, telles que des feuilles, et doit être à au moins 30 cm (1 pi) au-dessus du sol.
- Le clapet d'air de compensation ne doit pas aspirer l'air d'un vide sanitaire, d'un garage, d'un grenier, d'un logement adjacent ni de tout autre espace situé à l'intérieur de l'édifice. Le clapet doit être installé pour aspirer l'air directement de l'extérieur.

## PROTECTION DE L'OUVERTURE DE LA PRISE D'AIR EXTÉRIEUR

Puisque le clapet, ainsi que le capuchon mural et la prise d'air extérieur qui lui sont rattachés, permettront à l'air extérieur d'entrer à l'intérieur de l'habitation, il importe de respecter les exigences suivantes :

- Les capuchons mural d'air frais doivent écrans d'un grillage aviaire pour empêcher les oiseaux, les animaux ou les débris d'entrer. Nettoyez souvent ce grillage et ne l'enlevez pas.
- Si vous utilisez un autre grillage aviaire que celui fourni, il doit couvrir toute l'ouverture de la prise d'air extérieur. Ce grillage doit également avoir des ouvertures d'au moins 6 mm (¼ po) mais de pas plus de 13 mm (½ po).
- L'ouverture de la prise d'air extérieur doit respecter les dispositions des codes locaux concernant la protection des ouvertures dans les murs extérieurs, dont les mesures à prendre pour empêcher l'entrée d'humidité autour de l'ouverture.

Veuillez noter que le grillage de la prise d'air ne constitue pas un filtre. Il ne vise qu'à empêcher l'entrée des feuilles, des animaux ou des débris dans le conduit. Un filtre situé en aval est nécessaire pour enlever le pollen, la poussière et les autres particules en suspension. Les emplacements possibles du filtre sont indiqués ci-dessous dans la section des Installations type.

## EXIGENCES RELATIVES À LA TEMPÉRATURE MINIMALE DE L'AIR DE RETOUR

Les fabricants d'appareils de chauffage et de climatisation ont parfois des exigences relatives à la température minimale de l'air du caisson de retour. Faire pénétrer de l'air extérieur dans la section de retour du système central peut affecter cette température. L'installateur devra choisir la taille adéquate du conduit d'air extérieur et l'emplacement approprié de son raccordement à la section de retour d'air du système central afin de satisfaire les exigences de température minimale, conformément à sa conception.

## CET ENSEMBLE COMPREND

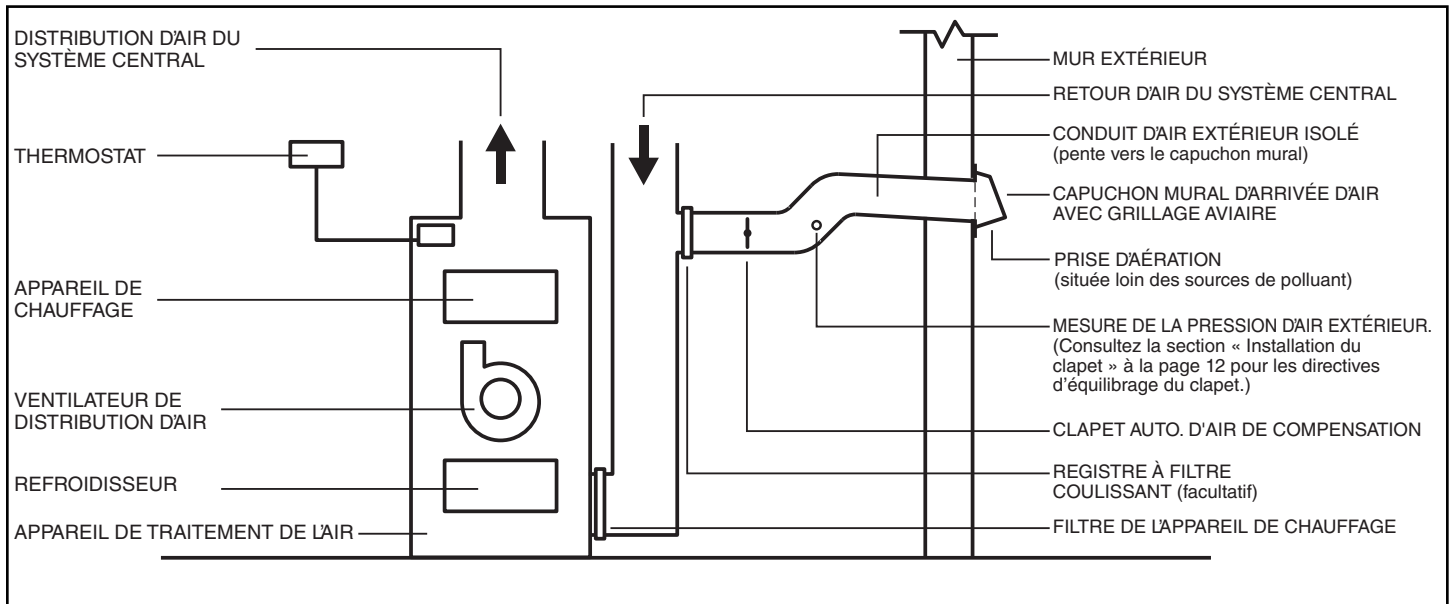
- Clapet motorisé
- Transformateur
- Ensemble de manocontacteur, incluant :
  - Manocontacteur
  - Sonde
  - Tube PVC 6 mm (1/4 po) D.I. de 30 cm (12 po)
  - Joint
  - (6) Vis à tôle

## OUTILS REQUIS

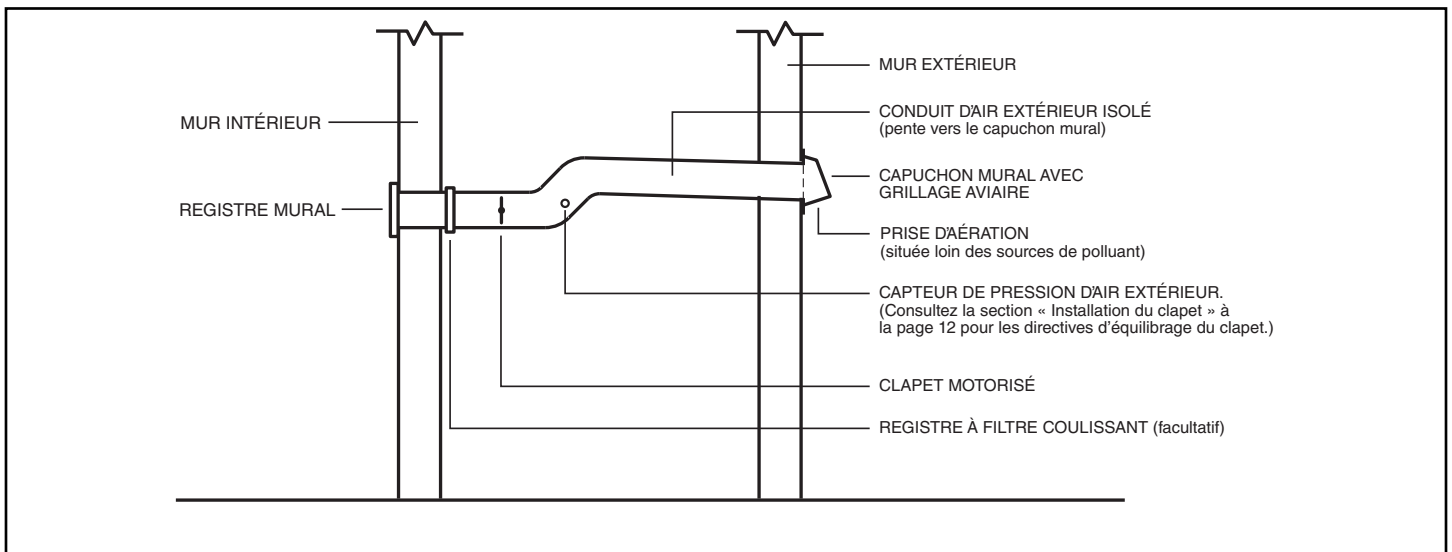
- Clé à cliquet à prise 1/4 po
- Tournevis plat ou cruciforme
- Mèche 3/8 po
- Ruban pour conduit
- Fil à basse tension (2 conducteurs)
- (2) Cosses ouvertes femelles 1/4 po
- Serre-fils

## INSTALLATIONS TYPE

Les installations varieront en fonction de l'emplacement de l'appareil dans la maison et du modèle de clapet utilisé. Consultez les illustrations et notes ci-dessous pour vous guider dans l'installation. Respectez toujours les exigences des codes dans toute situation où un détail indiqué ci-dessous contredirait les codes locaux. Ceux-ci ont préséance.

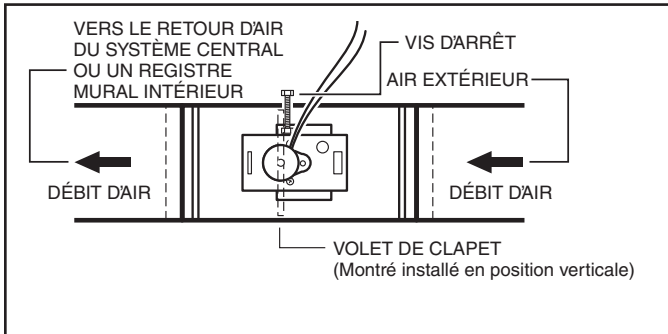


*Clapet raccordé à la section de retour d'air du conduit central.*



*Clapet et conduit extérieur raccordés directement au registre d'un plafond, d'un mur ou d'un plancher.*

## INSTALLATION DU CLAPET



Installez le clapet tel qu'illustré. Assurez-vous que le volet du clapet est en position verticale lorsqu'il est fermé et que le courant est coupé. L'ouverture du clapet peut être réglée à l'aide de la vis d'arrêt - en équilibrant la pression d'air intérieur et extérieur lorsque la hotte de cuisine expulse l'air à haute vitesse.

## FONCTIONNEMENT DU MANOCONTACTEUR

Le manocontacteur est conçu pour fonctionner à une augmentation de la pression statique de 0,05 po Ps ou plus. Il peut ne pas fonctionner à basse vitesse si la pression est inférieure à ce seuil.

## CLAPETS MULTIPLES

Plusieurs clapets peuvent être nécessaires pour équilibrer le système.

Reportez-vous aux codes du bâtiment locaux. Plusieurs volets peuvent être groupés avec un pressostat et un transformateur - pour un maximum de trois registres.

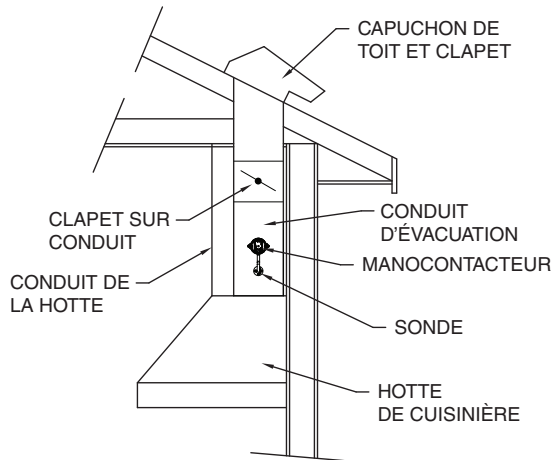
## INSTALLATION DU MANOCONTACTEUR ET DE LA SONDE

Pour que la sonde et le manocontacteur fonctionnent correctement, le capuchon mural ou de toit doit avoir un clapet à ressort.

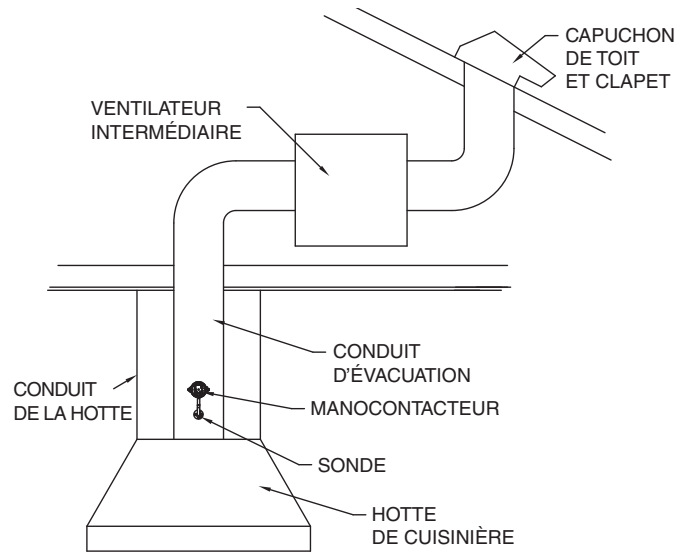
## EMPLACEMENT DE LA SONDE ET DU MANOCONTACTEUR

La sonde doit être installée entre le clapet de la hotte et le capuchon mural, le capuchon de toit, le ventilateur intermédiaire ou le ventilateur extérieur. Installez la sonde le plus près possible de la sortie de la hotte mais assurez-vous qu'elle ne gêne pas le fonctionnement de son clapet.

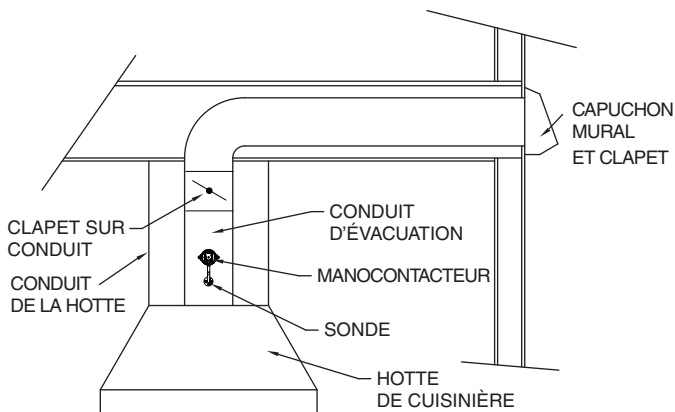
Le manocontacteur doit être placé à un endroit accessible pour un entretien éventuel. Il ne doit pas être à plus de 1,83 m (72 po) de la sonde. Si un tube plus long que celui fourni est nécessaire, achetez du tube de PVC de 1/4 po D.I. chez votre magasin local. Voir les illustrations ci-dessous pour les différentes possibilités d'installation.



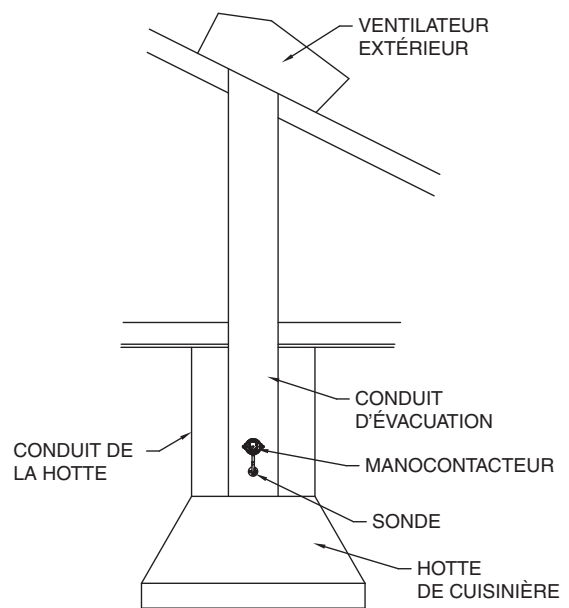
INSTALLATION TYPE AVEC VENTILATEUR INTERNE ET ÉVENT DE TOIT



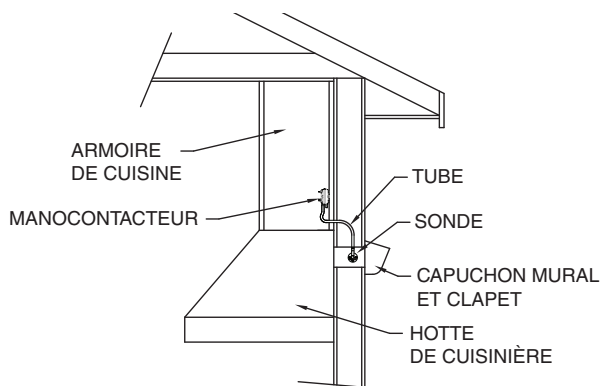
INSTALLATION TYPE AVEC VENTILATEUR INTERMÉDIAIRE



INSTALLATION TYPE AVEC VENTILATEUR INTERNE ET ÉVENT MURAL

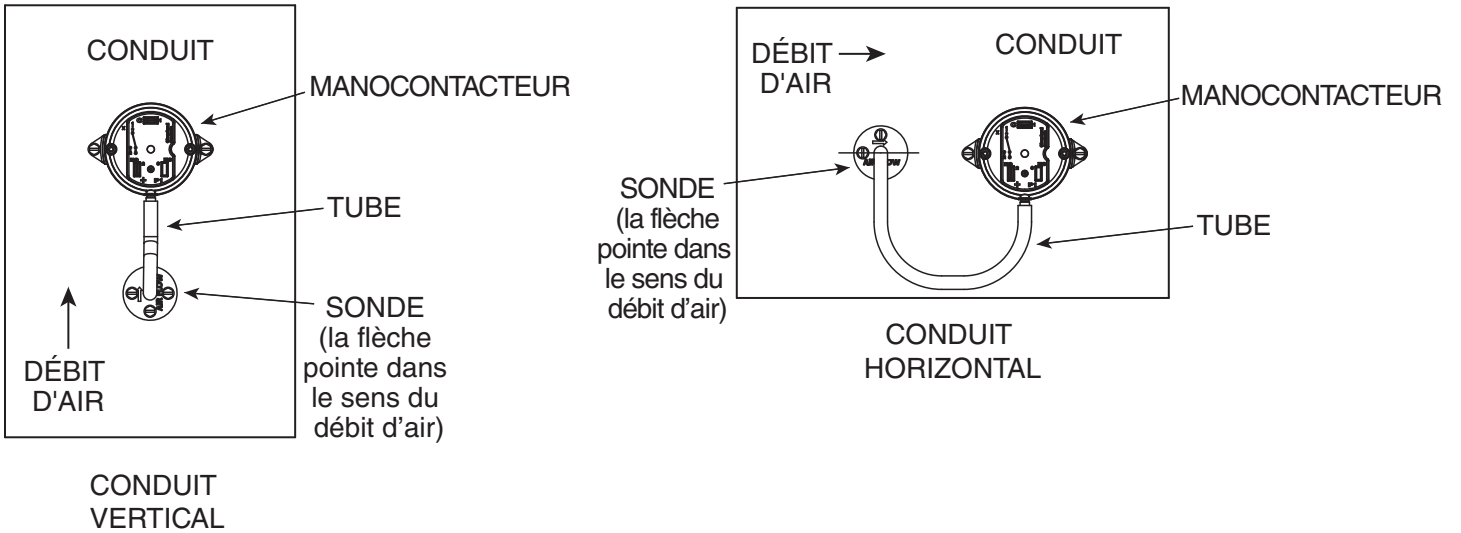


INSTALLATION TYPE AVEC VENTILATEUR EXTÉRIEUR

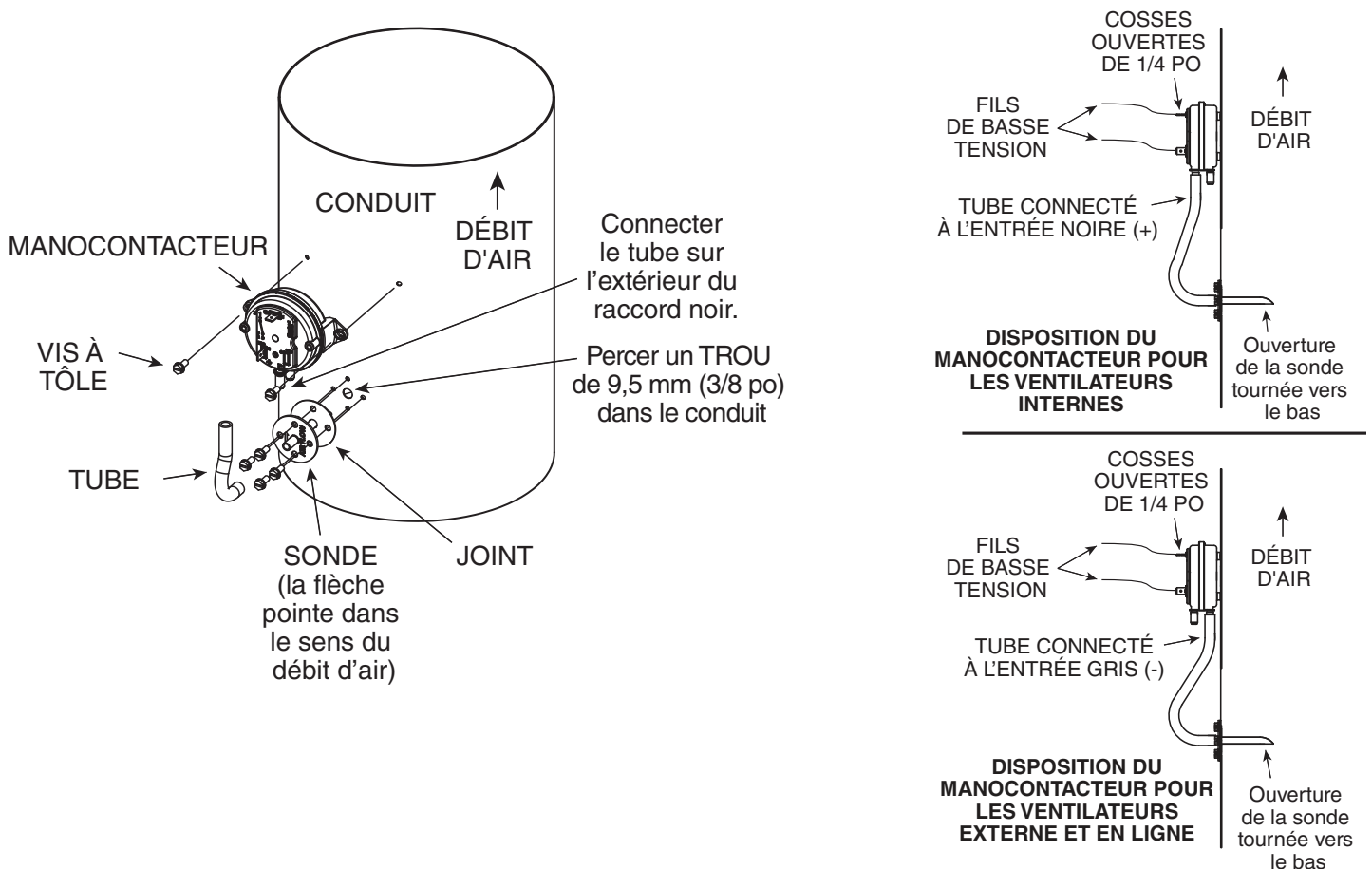


INSTALLATION TYPE AVEC VENTILATEUR INTERNE ET CONDUIT HORIZONTAL AVEC ÉVENT MURAL

## POSITIONS DE MONTAGE DE LA SONDE ET DU MANOCONTACTEUR

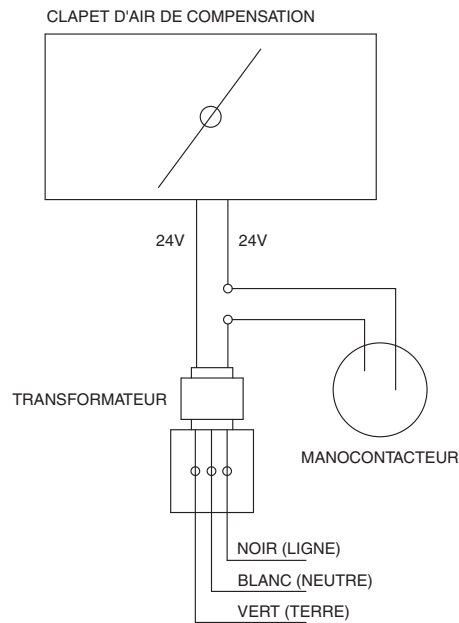


## MONTAGE DE LA SONDE ET DU MANOCONTACTEUR

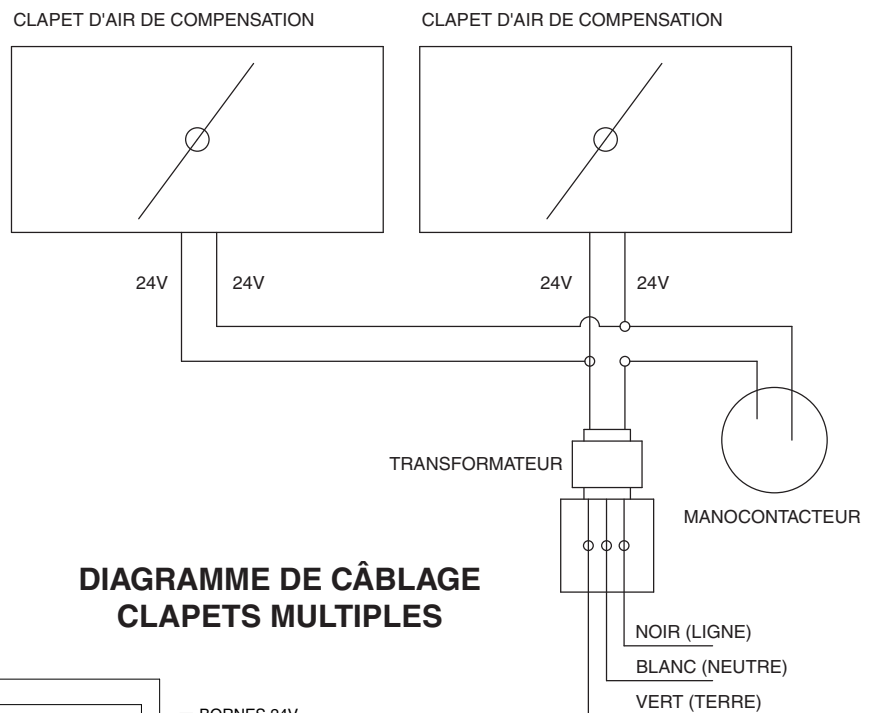


## CÂBLAGE DU SYSTÈME

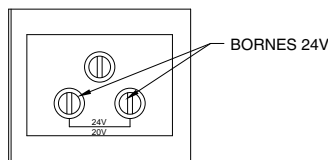
Effectuez le câblage tel qu'illustré.



**DIAGRAMME DE CÂBLAGE  
UN CLAPET**



**DIAGRAMME DE CÂBLAGE  
CLAPETS MULTIPLES**



**CÂBLAGE DU TRANSFORMATEUR**

## TESTER LE SYSTÈME

Une fois le clapet, le manocontacteur et la sonde installés, actionnez la hotte à haute vitesse et vérifiez que le clapet s'ouvre. Arrêtez la hotte et vérifiez que le clapet se referme.

Un spécialiste en appareil de chauffage et de climatisation doit également s'assurer du bon fonctionnement de tout appareil de combustion, notamment l'évacuation des gaz de combustion.

## DÉCLENCHEMENT INDÉSIRABLE

Dans certaines conditions extrêmes, le clapet peut se déclencher alors qu'il ne le devrait pas (s'ouvre alors que la hotte est arrêtée). Si un tel déclenchement indésirable se produit, placez un clapet refoulement intermédiaire (pas inclus) entre la sonde et le capuchon mural ou de toit.

## ENTRETIEN

Un entretien régulier est nécessaire pour garantir le bon fonctionnement du système de clapet. Toute négligence à cet égard risque d'affecter la capacité du clapet d'introduire de l'air frais dans l'habitation. Cet entretien régulier doit comporter les points suivants :

- Nettoyer l'extérieur du grillage aviaire de la prise d'air pour éviter que des débris empêchent l'arrivée de l'air frais.
- Nettoyer ou remplacer le(s) filtre(s) d'air frais avant l'entrée de l'air dans la maison.
- Veiller à ce que l'ouverture du capuchon mural extérieur reste dégagée : débayer la neige, enlever les feuilles ou la végétation autour du capuchon.
- Lors de la visite d'entretien régulière du spécialiste du chauffage, demandez-lui de vérifier le bon fonctionnement du clapet.

## FOIRE AUX QUESTIONS (FAQ)

### 1. À quoi sert le Clapet automatique d'air de compensation?

Le Clapet automatique d'air de compensation (le « clapet ») permet l'entrée d'air frais dans l'habitation lorsqu'un dispositif d'évacuation compatible est mis en marche. Le clapet s'ouvre lorsqu'une hotte est actionnée, offrant ainsi un point d'entrée contrôlé permettant à de l'air frais de pénétrer dans l'habitation pendant que de l'air est expulsé hors de l'édifice.

En fonctionnant ainsi, le clapet offre deux avantages pour l'habitation :

- Il facilite l'échange d'air entre l'intérieur et l'extérieur en permettant à de l'air frais d'entrer à l'intérieur pour remplacer l'air évacué.
- En laissant pénétrer de l'air frais dans l'habitation lorsqu'un appareil d'évacuation compatible est mis en marche, le clapet contribue à éviter qu'une pression négative s'exerce et nuise au bon fonctionnement des appareils de combustion situés dans la maison.

Bref, le clapet permet à votre appareil d'évacuation de fonctionner avec plus d'efficacité et sans nuire au fonctionnement adéquat des autres systèmes de la maison.

### 2. Est-ce que le « clapet » fournit de l'air aux appareils à combustion comme un chauffe-eau ou un appareil de chauffage?

Non. Le clapet aide à remplacer l'air évacué par une hotte compatible. Il ne contribue PAS à remplacer l'air tiré de l'intérieur par un appareil à combustion comme un chauffe-eau au gaz naturel et il ne faut pas lui conférer cette fonction. Cette restriction se justifie principalement parce que le clapet ne s'ouvre que si la hotte à laquelle il est connecté est mise en marche. Il n'y a donc rien qui garantit que le clapet soit ouvert lorsqu'un autre appareil, tel qu'un chauffe-eau, est en marche. Il faut faire appel à d'autres moyens pour assurer une alimentation d'air de combustion adéquate à ces appareils.

### 3. Comment puis-je savoir si une hotte nécessite un apport d'air de compensation?

Dans certains cas, le code du bâtiment stipule que cet apport d'air est nécessaire. Par exemple, certains codes stipulent que les hottes ayant un débit de 300 pieds cubes par minute ( $\text{pi}^3/\text{m}$ ) ou plus exigent un dispositif mécanique d'apport d'air de compensation.

Dans d'autres cas, l'air de compensation est souhaitable même si le code ne l'exige pas. Particulièrement lorsque :

- il s'agit d'une grande hotte (de plus de  $300 \text{ pi}^3/\text{m}$ )
- la maison est très étanche, de sorte que l'air extérieur peut difficilement s'infiltrer à l'intérieur par les fentes et remplacer l'air évacué à l'extérieur
- la maison comporte des appareils à combustion ventilés par l'atmosphère (par ex., chauffe-eau ou foyer à tirage naturel), qui sont plus susceptibles d'être mal ventilés si la maison subit une dépressurisation.

Dans les maisons présentant l'un ou l'autre de ces facteurs, l'air de compensation est conseillé. Et dans les maisons présentant plusieurs de ces situations, l'air de compensation pour la hotte est fortement conseillé.

### 4. Quels avantages y a-t-il à fournir de l'air de compensation pour remplacer l'air évacué à l'extérieur par une hotte de cuisine?

Les hottes de cuisine sont conçues pour aspirer les polluants comme les odeurs et vapeurs de cuisson à la source, afin qu'elles ne stagnent pas dans la maison. Puisque ces ventilateurs évacuent l'air de la maison, celui-ci doit être remplacé par de l'air « neuf » de l'extérieur. Normalement, cet air de compensation entre dans l'habitation par les ouvertures et les fentes de « l'enveloppe » de l'édifice. Or, les maisons modernes sont beaucoup plus étanches et ne présentent plus autant de fentes et d'ouvertures. De plus, certains ventilateurs comme ceux des grandes hottes évacuent beaucoup plus d'air que celui pouvant être remplacé par les fentes et les fissures de l'enceinte de la maison.

Le fait de créer délibérément un passage pour l'air frais afin de remplacer l'air évacué par la hotte présente plusieurs avantages importants :

- L'air de compensation qui pénètre dans la maison le fait à un endroit connu, ce qui permet de le filtrer
- On évite les situations de pression négative qui découlent de l'évacuation de l'air de l'habitation sans le remplacer par de l'air frais
- Les polluants sont évacués hors de la maison avec plus d'efficacité, alors que l'air frais de remplacement est tiré dans la maison, ce qui améliore la ventilation

### 5. Est-ce que la norme ASHRAE 62.2-2007 – « Ventilation et qualité d'air intérieur acceptable dans les constructions résidentielles basses » – exige l'utilisation d'un clapet d'air de compensation?

La norme ASHRAE 62.2-2007 n'exige pas spécifiquement le recours aux clapets d'air de compensation. Ce n'est que dans quelques circonstances que cette norme exige de limiter le débit d'évacuation nette de l'air de l'habitation. Par exemple, à la Section 6.4, la norme limite le débit d'évacuation nette d'une maison à deux grands appareils d'évacuation si ceux-ci sont ventilés par l'atmosphère ou s'il s'agit de brûleurs à combustible solide situés à l'intérieur de l'enceinte pressurisée de l'habitation. Cette norme peut être consultée à [www.ashrae.org](http://www.ashrae.org).

### 6. Puis-je utiliser le Clapet automatique d'air de compensation avec d'autres appareils de mon habitation?

Non. Le Clapet automatique d'air de compensation est conçu pour être utilisé avec les hottes.

### 7. De quelles façons puis-je installer ce clapet dans ma maison?

La façon la plus courante d'installer le clapet est de le raccorder au système de conduit central. Dans cette application, l'air frais extérieur pénètre dans la maison par le clapet, puis est distribué dans la maison par les conduits.

### 8. Que faire si ma maison n'a pas de conduits de ventilation?

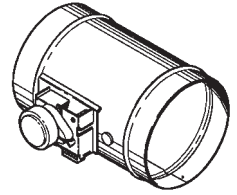
Dans une maison sans conduits, vous pouvez également utiliser le clapet pour remplacer l'air évacué par la hotte de cuisine.

### 9. Que se passe-t-il après une panne de courant?

Le système de clapet et les appareils d'évacuation qui lui sont associés conserveront leur configuration après une panne d'électricité. Il reprendra ainsi son fonctionnement normal une fois le courant rétabli, tel que configuré avant la panne.



# REGULADOR DE AIRE AUTOMÁTICO DE REPUESTO, CON TRANSFORMADOR E INTERRUPTOR DE PRESIÓN



## LEA Y CONSERVE ESTAS INSTRUCCIONES

**! SOLO PARA USO RESIDENCIAL !**

### ADVERTENCIA



**PARA REDUCIR EL RIESGO DE INCENDIOS, DESCARGAS ELÉCTRICAS O LESIONES PERSONALES, SIGA LAS SIGUIENTES PRECAUCIONES:**

- Una o más personas calificadas deben realizar el trabajo de instalación y el cableado eléctrico, de acuerdo con todos los códigos y normas correspondientes, incluidos los códigos y las normas de construcción específicos de protección contra incendios.
- Las pruebas de rendimiento validadas certificado para su uso con las campanas de BEST, Broan, y Broan Elite.
- Esta unidad no está diseñada para suministrar aire de combustión para los electrodomésticos que queman combustible.
- No conecte la unidad directamente a un electrodoméstico de combustión de ningún tipo.
- Es necesario suficiente aire para que se lleve a cabo una combustión y una extracción adecuadas de los gases a través del tubo de humos (chimenea) del equipo quemador de combustible, con el fin de evitar el contratiro. Siga las directrices y las normas de seguridad del fabricante del equipo de calefacción, como las publicadas por la Asociación Nacional de Protección contra Incendios (National Fire Protection Association, NFPA), la Sociedad Americana de Ingenieros de Calefacción, Refrigeración y Aire Acondicionado (American Society for Heating, Refrigeration and Air Conditioning Engineers, ASHRAE) y las autoridades normativas locales.
- Antes de dar servicio a la unidad o de limpiarla, interrumpa el suministro eléctrico en el panel de servicio y bloquee los medios de desconexión del servicio para evitar que la electricidad se reanude accidentalmente. Cuando no sea posible bloquear los medios de desconexión del servicio, fije firmemente una señal de advertencia (como una etiqueta) en un lugar visible del panel de servicio.
- Cuando realice la instalación, el servicio o la limpieza de la unidad, se recomienda que use gafas de seguridad y guantes.
- En climas extremos, que incluyen tormentas de nieve, asegúrese de que el área de admisión para el conducto de aire exterior no esté bloqueada y que pueda suministrar una trayectoria despejada para que el aire exterior entre al sistema.
- Al cortar o perforar a través de la pared o del cielo raso, no dañe el cableado eléctrico ni otros servicios ocultos.
- Al crear muescas o al perforar la estructura, lo cual incluye apoyos para el piso, vigas y montantes de pared, cumpla con las limitaciones de los códigos y del fabricante respecto a las modificaciones permitidas sobre estos miembros estructurales.
- Esta unidad está diseñada para instalarse dentro de la casa en un sitio protegido contra la humedad.
- Esta unidad debe estar en un sitio accesible que permita la inspección de la misma.
- Use la unidad solo de la manera indicada por el fabricante. Si tiene preguntas, comuníquese con el fabricante a la dirección o al número telefónico que se incluye en este documento.
- Cuando la legislación federal, provincial o estatal incluya requisitos más estrictos de instalación o de certificación, los requisitos ya mencionados prevalecen sobre los de este documento, y el instalador acepta cumplir con ellos a sus propias expensas.

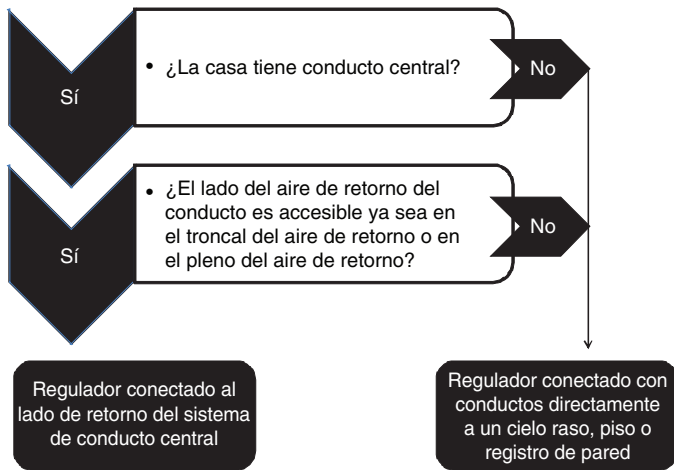
### PRECAUCIÓN



- No sitúe la entrada de aire exterior cerca de materiales peligrosos o explosivos.
- La unidad no deberá instalarse de tal manera que introduzca aire de entresuelos, cocheras, áticos, unidades de vivienda adyacentes u otros sitios dentro de la estructura del edificio. La unidad deberá instalarse de tal manera que introduzca el aire directo del exterior.
- No tienda el conducto de aire exterior directamente arriba o más cerca de 2 pies (60 cm) de cualquier caldera o su pleno de suministro, calentador u otro aparato que genere calor.
- Cualquier conducto que se utilice en conjunto con el regulador se debe instalar cumpliendo con todos los códigos locales y nacionales que correspondan.
- No haga funcionar el regulador para que introduzca aire fresco hasta que todos los filtros del sistema, incluyendo el filtro del sistema de conductos centrales, se hayan instalado según el diseño del sistema.
- Lea la etiqueta de especificaciones de la unidad que tiene el producto para ver información y requisitos adicionales.
- La entrada de aire exterior, los conductos y los filtros del regulador se deben inspeccionar y mantener con regularidad.
- Aísle el conducto y el regulador para prevenir la acumulación de condensación en climas fríos. Se recomiendan barreras de vapor a ambos lados del aislamiento.

# PLANEACIÓN DE LA INSTALACIÓN

La planeación de la instalación requiere primero que seleccione el criterio de instalación más adecuado. El siguiente cuadro ofrece sugerencias del criterio de instalación más eficaz considerando algunos factores importantes. A continuación se indican más detalles sobre los dos tipos principales de instalación.



## UBICACIÓN DE LA ENTRADA DEL AIRE EXTERIOR

El diseño y el sitio adecuados de la ubicación de la entrada de aire exterior son vitales para garantizar que el regulador pueda suministrar de manera segura y confiable una abertura para que entre el aire fresco a la casa. Se deben cumplir los siguientes requisitos para la ubicación de la entrada del aire exterior:

- La entrada de aire exterior se encuentra a un mínimo de 10 pies (3 m) de las ventilaciones de los electrodomésticos de combustión, chimeneas, tiros de plomería y ventilaciones de extracción del baño o la cocina. Si los códigos locales tienen requisitos de separación más estrictos, deberán ser aplicados.
- La entrada de aire exterior se coloca a suficiente altura del rasante para prevenir que sea bloqueada por nieve u otros residuos como hojas, y a un mínimo de 1 pie (30 cm) por arriba del rasante.
- El regulador de aire de repuesto no debe extraer aire de entresuelos, cocheras, áticos, unidades de vivienda adyacentes o cualquier parte cerrada del edificio. El regulador debe instalarse para tomar aire directamente del exterior.

## PROTECCIÓN PARA LA ABERTURA DE LA ENTRADA DEL AIRE EXTERIOR

Debido a que el regulador, en conjunto con la tapa del extremo y el conducto de aire exterior instalados en el regulador, permitirá que entre aire exterior al entorno interior, es importante cumplir con los siguientes requisitos:

- Las tapas para pared de entrada de aire fresco necesitan mallas para pájaros como protección para impedir la entrada de animales y desperdicios del exterior. Limpie las mallas con frecuencia y no las quite.
- Si se usa una malla para pájaros diferente a la malla protectora, debe cubrir toda la abertura del conducto de aire exterior. La malla también debe tener aberturas de por lo menos ¼ pulg. (6 mm), pero no mayores de ½ pulg. (13 mm).
- La abertura de entrada de aire exterior debe cumplir con las disposiciones de los códigos locales para proteger las aberturas en las paredes exteriores, incluyendo pasos para prevenir que entre humedad alrededor de la abertura.

Tome en cuenta que la malla sobre la abertura de aire exterior no es un filtro. Está diseñada para prevenir la entrada de hojas, animales o desperdicios al conducto de aire exterior. Es necesario contar flujo hacia abajo con un filtro para extraer polen, polvo y otras partículas transportadas por el aire. Las posibles ubicaciones del filtro se muestran más abajo, en la sección de Instalaciones típicas.

## REQUISITOS MÍNIMOS DE LA TEMPERATURA DEL AIRE DE RETORNO

Los fabricantes del equipo HVAC pueden tener requisitos mínimos para la temperatura del aire en el pleno de aire de retorno. La introducción de aire exterior al lado de retorno del sistema de conductos centrales puede afectar esta temperatura. El instalador debe ajustar tanto el tamaño del conducto de aire exterior como la ubicación de su conexión al lado de retorno del sistema de conductos centrales, de tal manera que se cumplan los requisitos de temperatura mínima del aire bajo condiciones de diseño.

## LO QUE SE INCLUYE EN EL PAQUETE

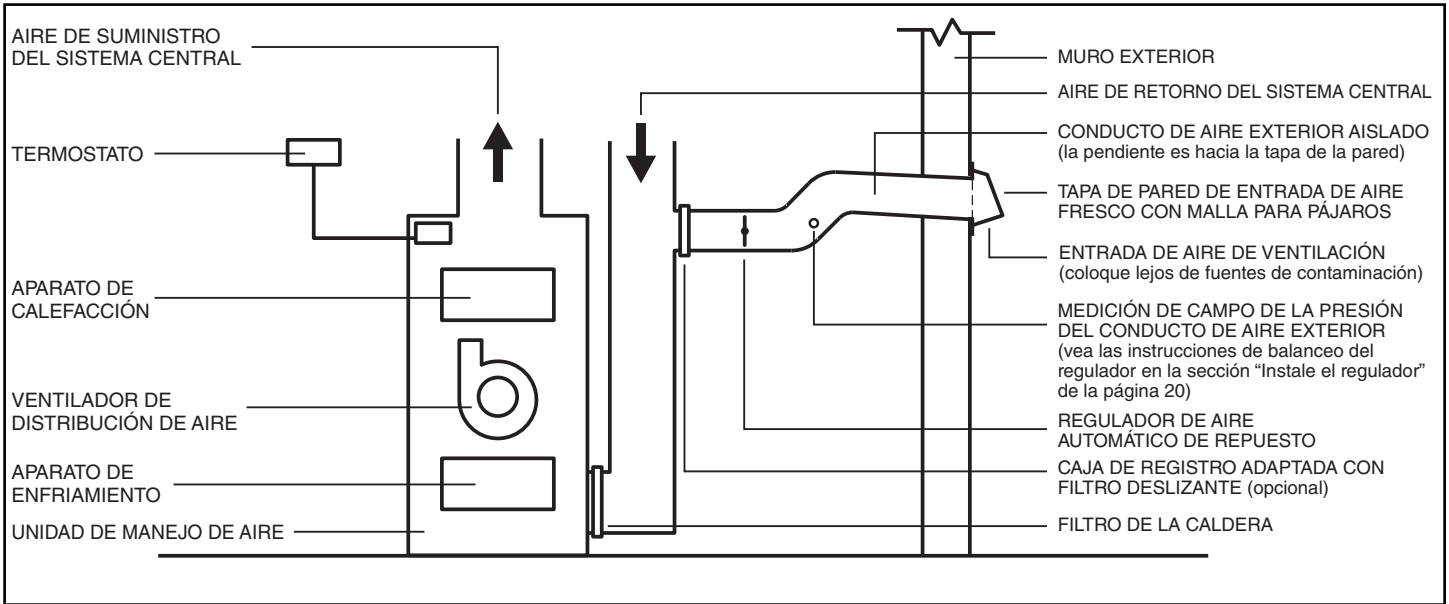
- Regulador motorizado
- Transformador
- Conjunto del interruptor de presión, que incluye:
  - Interruptor de presión
  - Sonda
  - Tubo de PVC de 12 pulg. (30 cm) y ¼ pulg. (6 mm) de D.I.
  - Empaque
  - (6) Tornillos para chapa metálica

## HERRAMIENTAS REQUERIDAS

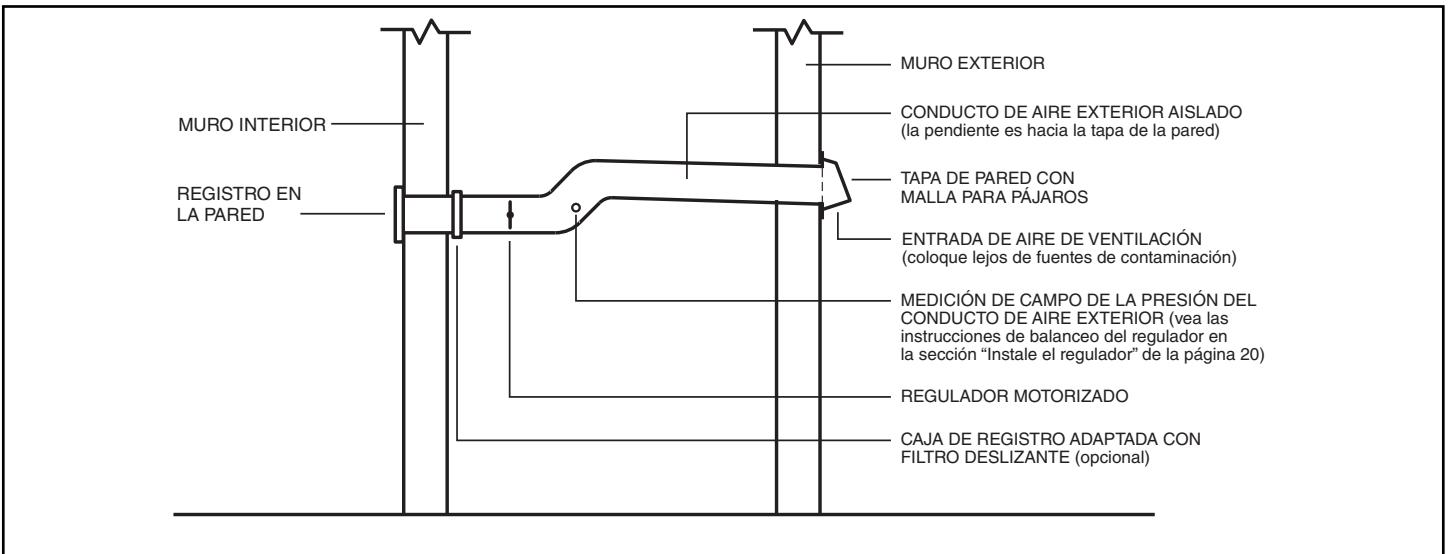
- Dado de ¼ pulg.
- Destornillador plano o Phillips
- Broca para taladro de 3/8 pulg.
- Cinta para conductos
- Cable de bajo voltaje (2 conductores)
- (2) Terminales con paleta hembra de ¼ de pulg.
- Tuercas para cable

# INSTALACIONES TÍPICAS

Las instalaciones van a variar de acuerdo con la ubicación de la casa donde se instale la unidad y del modelo de regulador que se use. Utilice las siguientes ilustraciones y notas como guía para su propia instalación. Siempre cumpla con los requisitos de los códigos locales y, en cualquier caso donde alguno de los detalles que se muestran a continuación tenga conflicto con los códigos locales, se aplicará la disposición del código local.

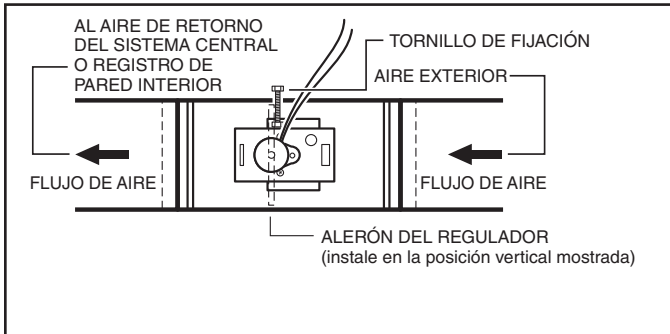


*Regulador conectado al lado de retorno del sistema de conducto central.*



*Regulador conectado con conductos de aire exterior directamente a un cielo raso, piso o registro de pared.*

## INSTALE EL REGULADOR



Instale el regulador como se ilustra. Asegúrese de que el alerón se encuentre en posición vertical cuando se cierre y que la electricidad esté desconectada. Se puede usar el tornillo de fijación para ajustar la abertura del regulador, con lo cual se balancea la presión de aire interior y exterior cuando la campana extrae aire a alta velocidad.

## FUNCIONAMIENTO DEL INTERRUPTOR DE PRESIÓN

El interruptor de presión está diseñado para funcionar cuando la presión estática aumenta a 0.05 pulg. Ps o más. Podría no funcionar a bajas velocidades, ya que la presión está por debajo de este límite.

## MÚLTIPLES REGULADORES

Tal vez se requiera más de un regulador para equilibrar el sistema. Consulte los códigos de construcción locales. Amortiguadores múltiples pueden ser agrupados junto con el interruptor de presión y un transformador de uno - por un máximo de tres amortiguadores.

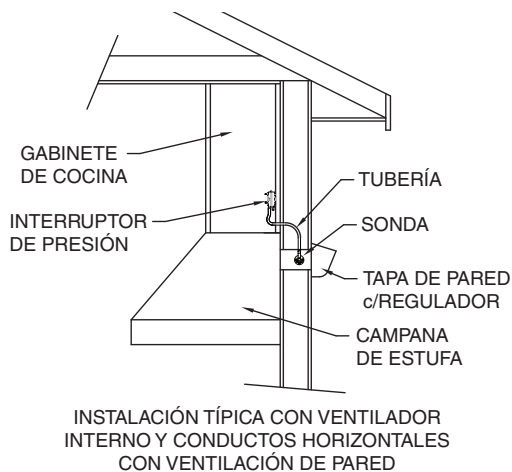
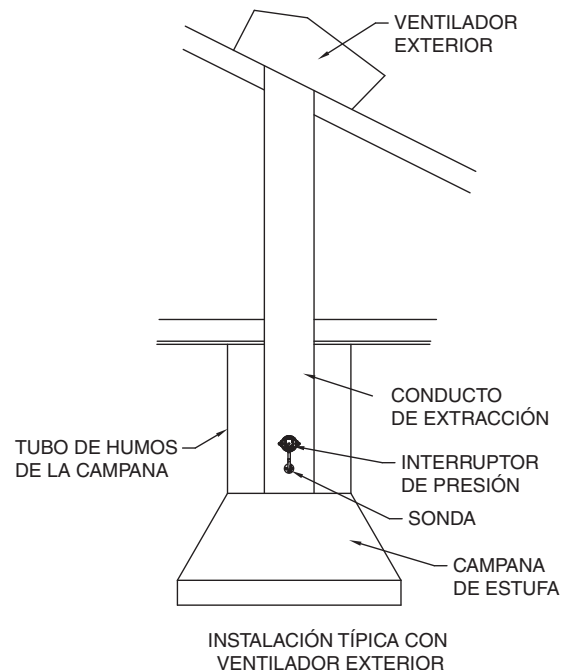
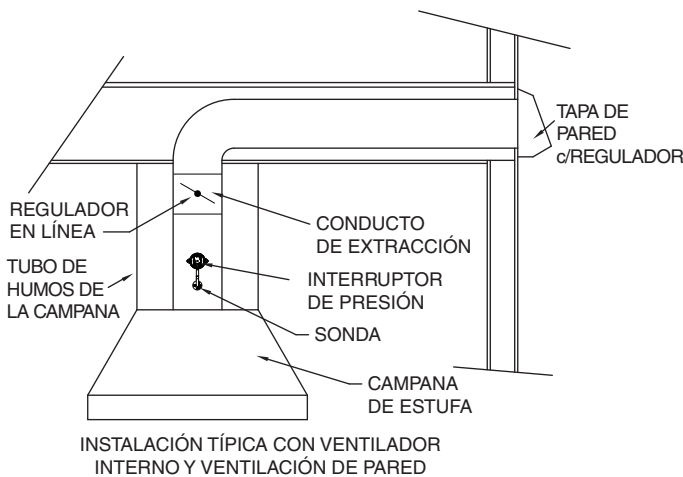
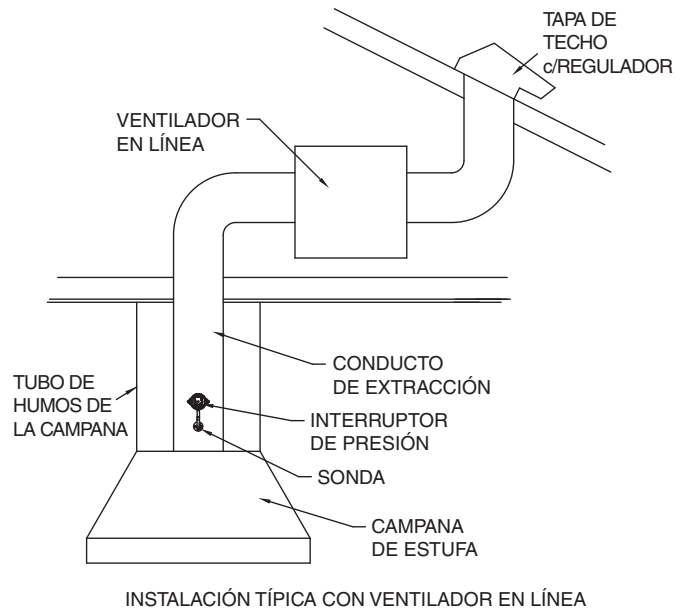
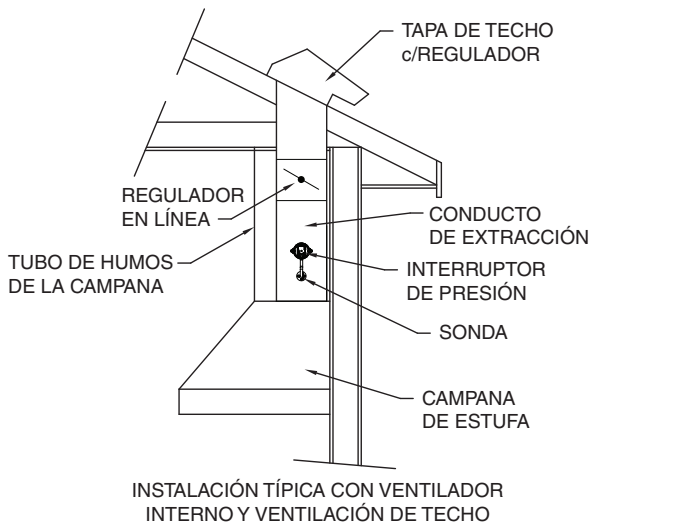
## INSTALACIÓN DEL INTERRUPTOR DE PRESIÓN Y SONDA

Para que la sonda y el interruptor de presión funcionen con eficacia, la tapa para techo o pared debe tener un regulador cargado por resorte.

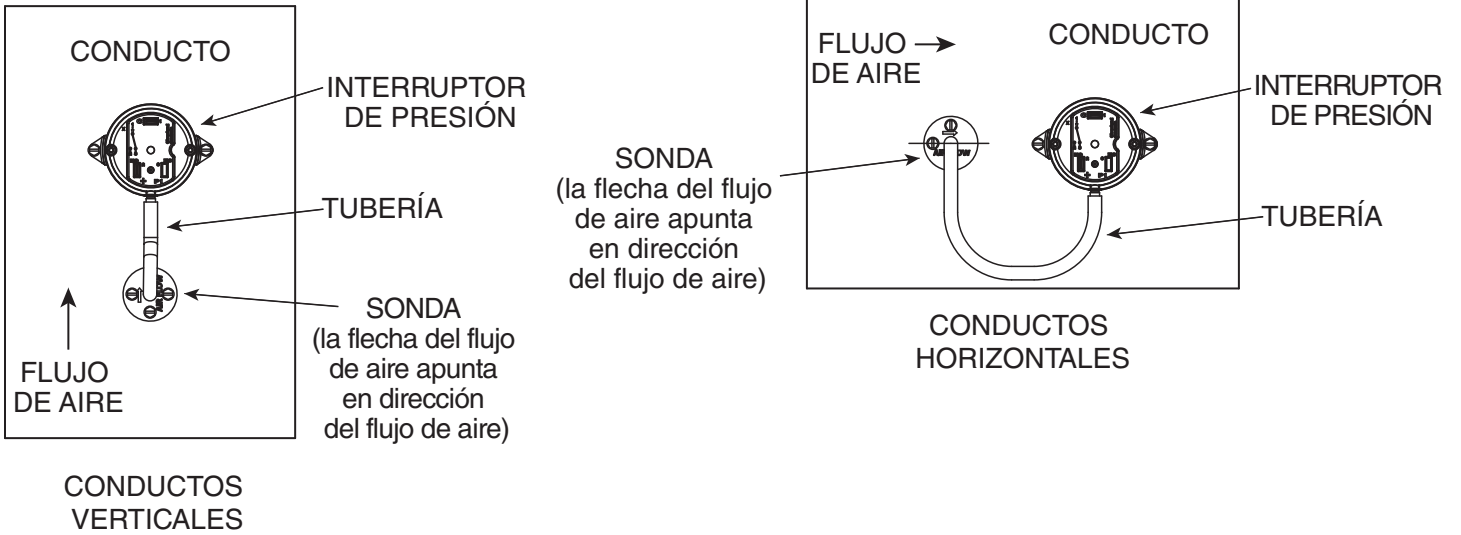
# UBICACIÓN DE LA SONDA Y DEL INTERRUPTOR DE PRESIÓN

La sonda debe montarse entre el regulador de la campana y la tapa de pared, tapa de techo, ventilador en línea o ventilador externo. Coloque la sonda tan cerca como sea posible de la salida de la campana, pero asegúrese de no afectar el funcionamiento del regulador de la campana.

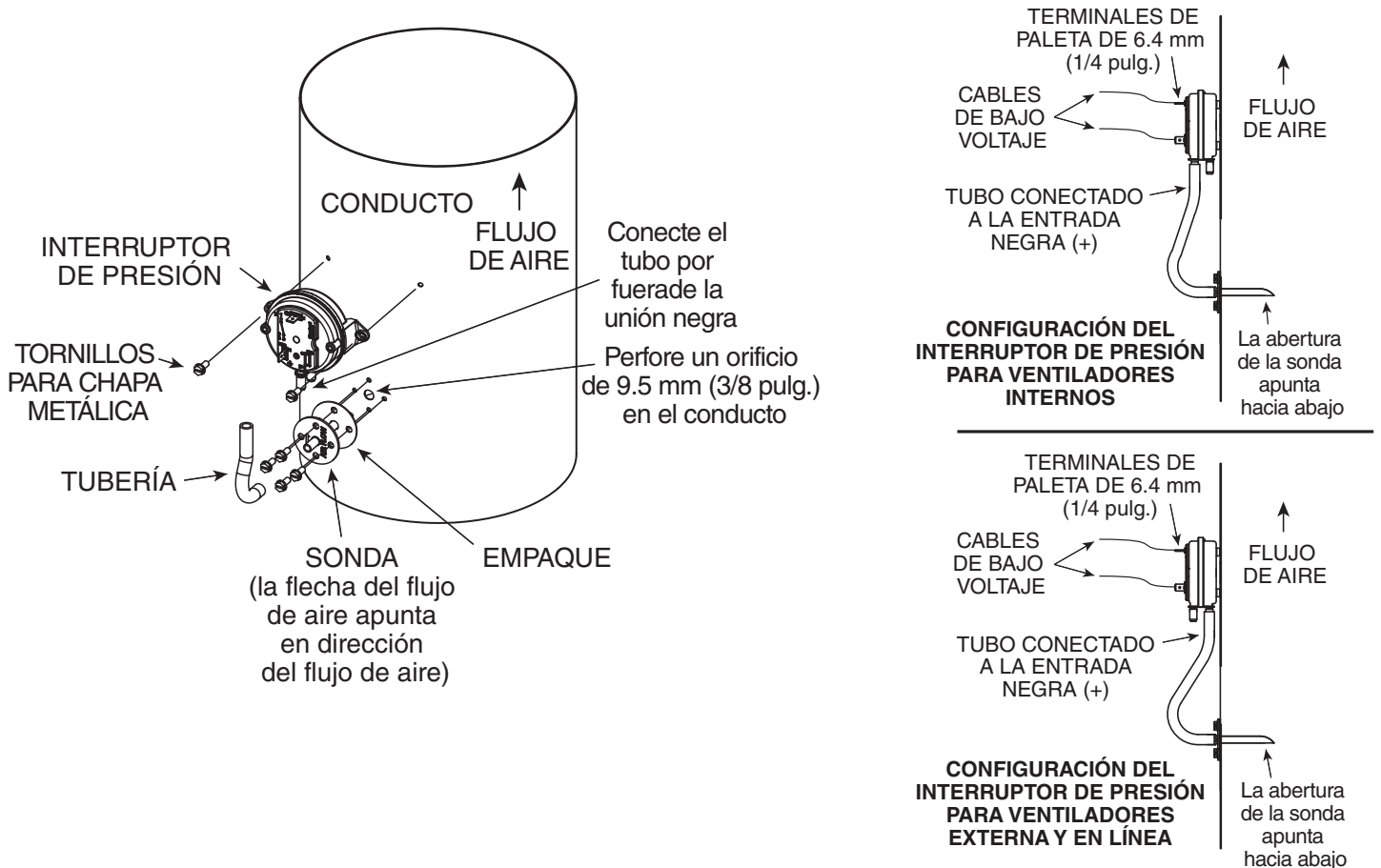
El interruptor de presión debe colocarse de tal manera que sea accesible para cualquier servicio en el futuro. El interruptor no puede montarse a más de 72 pulg. (1.83 m) de la sonda. Si se requieren tubos más largos de los suministrados, compre tubos de PVC de 1/4 pulg. de D.I. con un proveedor de la localidad. Consulte las ilustraciones siguientes para ver posibles escenarios de instalación.



## POSICIONES DE MONTAJE DE LA SONDA Y EL INTERRUPTOR DE PRESIÓN

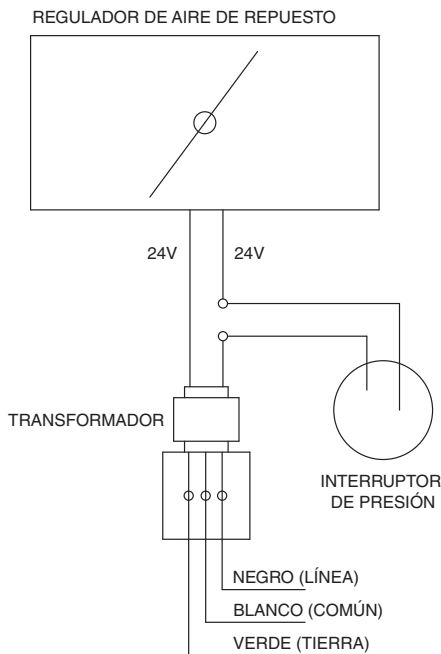


## MONTE LA Sonda Y EL INTERRUPTOR DE PRESIÓN

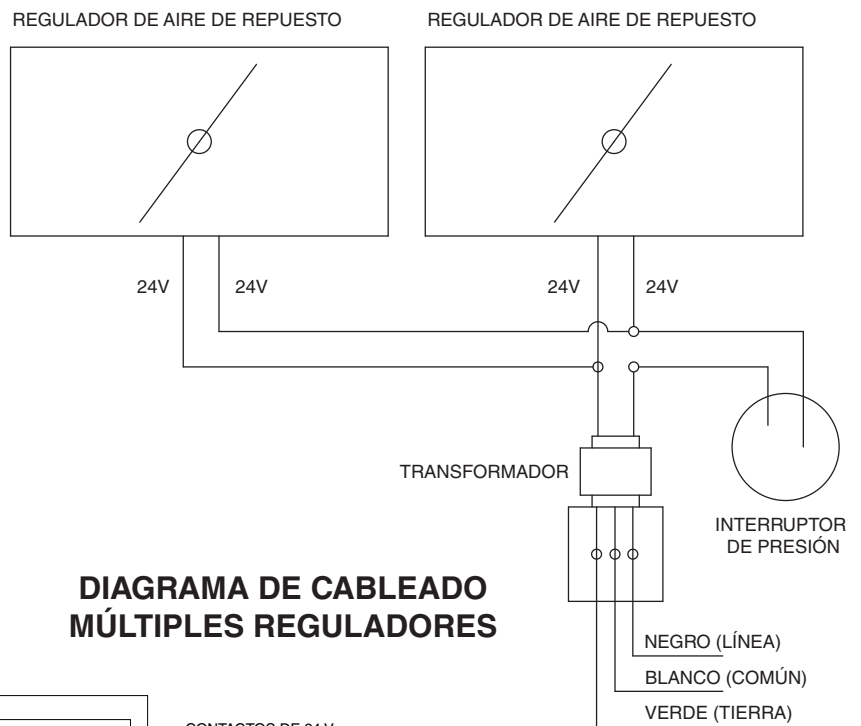


# CABLEADO DEL SISTEMA

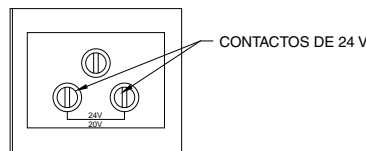
Cablee el sistema como se ilustra.



**DIAGRAMA DE CABLEADO UN REGULADOR**



**DIAGRAMA DE CABLEADO MÚLTIPLES REGULADORES**



**CABLEADO DEL TRANSFORMADOR**

# PRUEBA DEL SISTEMA

Una vez que tenga instalado el regulador, el interruptor de presión y la sonda, encienda la campana en alta velocidad y confirme que se abre el regulador. Apague la campana y compruebe que se cierra el regulador.

Un contratista calificado en HVAC también debe asegurarse la operación adecuada y la ventilación de todo el equipo de combustión en la casa.

# DISPARO EN FALSO

Bajo ciertas condiciones extremas podría haber el disparo en falso del regulador (se abre cuando el ventilador de la campana está apagado). Si se encuentra un disparo en falso, coloque un regulador contratiro en línea (no incluye) entre la sonda y la tapa de techo o de pared.

## MANTENIMIENTO

Es necesario realizar mantenimiento con regularidad para garantizar la operación adecuada del sistema del regulador. De no realizar dicho procedimiento de rutina se podría poner en riesgo la capacidad del regulador de introducir aire fresco hacia la casa. El mantenimiento regular debe incluir las siguientes actividades:

- Limpie la malla para pájaros exterior para asegurar que esté libre de residuos y abierta para permitir que entre el aire fresco.
- Limpie o reemplace los filtros interiores que sirven para filtrar el aire fresco antes de que entre en la casa.
- Mantenga una abertura sin obstrucciones de la tapa del extremo al exterior, lo cual significa prevenir la acumulación de nieve, hojas o vegetación en dicha tapa.
- Durante el mantenimiento regular del HVAC, pida al contratista mecánico que inspeccione la operación adecuada del sistema del regulador.

## PREGUNTAS FRECUENTES

### 1. ¿Qué hace el regulador de aire automático de repuesto?

El regulador de aire automático de repuesto (el “regulador”) proporciona una trayectoria para que el aire fresco entre a una casa desde el exterior cuando funciona un dispositivo de extracción compatible. El regulador se abre cuando funciona una campana, con lo cual se genera un punto conocido y controlado para que entre el aire fresco a la casa mientras se extrae el aire del edificio mediante la campana.

Al funcionar de esta manera, el regulador brinda dos beneficios clave para la casa:

- Facilita el intercambio de aire entre el interior y el exterior, ayudando para permitir que el aire fresco hacia la casa reemplace el aire que se extrae de la casa.
- Al permitir aire fresco hacia el edificio cuando se enciende un dispositivo de extracción compatible, el regulador ayuda a evitar las condiciones de presión negativa dentro de la casa que pueden interferir con la operación adecuada del equipo de combustión de la casa.

En general, el regulador permite que sus dispositivos de extracción realicen su función con más eficacia y sin interferir con la operación adecuada de los demás sistemas de la casa.

### 2. ¿Suministra el “regulador” aire de combustión para aparatos de combustión como un calentador de agua o una caldera?

No. El regulador ayuda a reemplazar el aire que se extrae mediante una campana compatible. Pero NO ayuda a reemplazar el aire que se extrae del interior mediante un aparato de combustión como un calentador de agua de gas natural, y no debe confiar en que realizará esta función. Una razón importante para esta restricción es que el regulador se abre solamente cuando funciona la campana que tiene conectada. Así que no hay garantía de que el regulador se abra cuando funcionen otros electrodomésticos, como un calentador de agua. Se deben suministrar otros medios para garantizar el aire de combustión adecuado para estos aparatos.

### 3. ¿Cómo sé si necesito aire de repuesto para mi campana?

En algunos casos el código local para edificios le puede indicar si es necesario el aire de repuesto. Por ejemplo, algunos códigos especifican que las campanas extraerán flujos de 300 pies cúbicos por minuto (CFM) o superiores si se necesita que un sistema mecánico introduzca aire de repuesto.

En otros casos, es deseable contar con aire de repuesto para una campana, sin importar si lo requiere el código o no. Esto es cierto particularmente para:

- Campanas de mayor tamaño (superiores a 300 cfm).
- Casas que están bien selladas en cuanto al aire, de tal modo que el aire exterior no encuentra el camino fácilmente hacia la casa por las grietas para reemplazar el aire que se extrae.
- Casas con aparatos de combustión ventilados a la atmósfera (es decir, un calentador de agua o una chimenea con tiro natural) que son más susceptibles para mejorar la ventilación si la despresurización ocurre en la casa.

Se aconseja el aire de repuesto en casas con cualquiera de estos factores. Yen casas con más de una de estas condiciones se aconseja encarecidamente el aire de repuesto para la campana.

### 4. ¿Cuáles son los beneficios de suministrar aire de repuesto para reemplazar el aire que se extrae de la casa mediante una campana?

Las campanas están diseñadas para extraer contaminantes como olores de cocinado o humedad en la fuente, de tal manera que no perduren en la casa. Debido a que estos ventiladores extraen el aire de la casa, es necesario reemplazar este aire con aire “nuevo” del exterior. Normalmente, este aire de repuesto entra a la casa a través de grietas y orificios en la “armazón” del edificio. Pero las casas modernas están mucho más selladas para el aire, así que no hay tantas grietas y aberturas. Además, algunos ventiladores de extracción, como los de las campanas, extraen mucho más aire del que se puede reemplazar a través de las grietas normales de la armazón del edificio.

Al suministrar una abertura diseñada intencionalmente para que el aire fresco reemplace el aire extraído por la campana, resultan varios beneficios importantes:

- El aire de repuesto que entra a la casa llega a un punto conocido, donde también se filtra.
- Se previenen las condiciones de presión negativa, que también podrían surgir si el aire se extrae de una casa sin que se reemplace con aire fresco nuevo.
- Los contaminantes se extraen con más eficacia de la casa mientras que el aire fresco de repuesto se atrae hacia la casa, mejorando la ventilación.

### 5. ¿Requiere la norma ASHRAE 62.2-2007 “Calidad de la ventilación y del aire en interiores en edificios residenciales de baja elevación” el uso de un regulador de aire de repuesto?

La norma ASHRAE 62.2-2007 no requiere específicamente reguladores de aire de repuesto. En algunas circunstancias limitadas, esta norma requiere que se limiten los flujos de extracción netos de una casa. Por ejemplo, la sección 6.4 de la norma limita el flujo de extracción neto de los dos aparatos de extracción más grandes de la casa si ésta tiene aparatos que queman combustible sólido o se ventean con la atmósfera y que estén situados dentro del límite de presión de la casa. Esta norma está disponible en [www.ashrae.org](http://www.ashrae.org).

### 6. ¿Puedo usar el regulador de aire automático de repuesto con otros equipos en mi casa?

No. El regulador está diseñado para uso con campanas.

### 7. ¿Cuáles son las diferentes maneras en que se puede instalar el regulador en mi casa?

La manera más usual de instalar el regulador es conectarlo al sistema de conductos centrales de la casa. En esta aplicación, el aire fresco exterior entra a la casa a través del regulador y luego se encamina y se distribuye a través de los conductos de la casa. Puede encontrar más información sobre este criterio de aplicación en la Guía de aplicación del regulador de aire automático de repuesto Broan o en nuestro sitio Web: [www.broan.com](http://www.broan.com).

### 8. ¿Qué pasa si mi casa no tiene conductos?

Las casas sin conductos pueden utilizar el regulador para ayudar a reemplazar el aire que se extrae de la casa mediante la campana.

### 9. ¿Qué pasa después de un corte de energía?

El sistema del regulador y los dispositivos de extracción relacionados no perderán sus ajustes después de un corte de energía. Así que el sistema reanudará su operación normal después de un corte de energía, con base en los ajustes que usó antes del corte.