

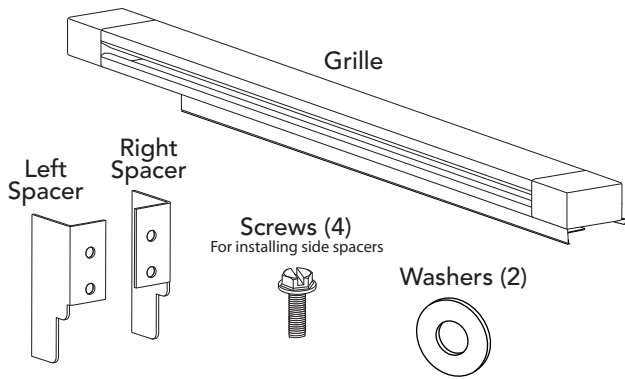
# Installation GUIDE

## **3 SERIES**

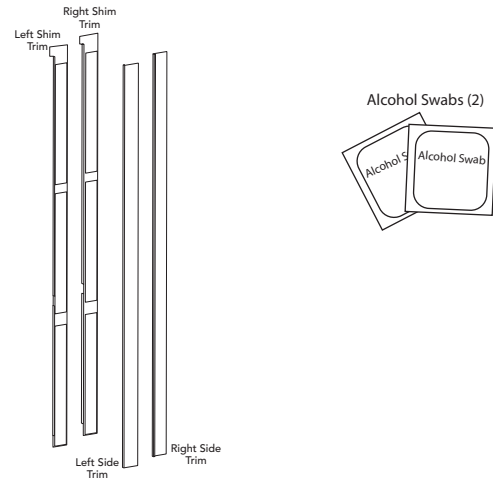
French Door Refrigeration (RVRF336 Series)  
Side Trim and Top Grille Kit

*GKRVRF1SS*  
*STKRVRFSS*

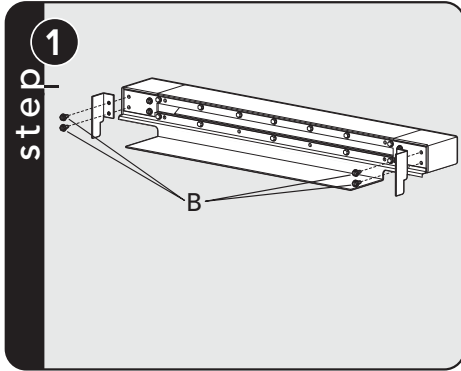
Parts included in  
GKRVERFSS Top Grille Kit



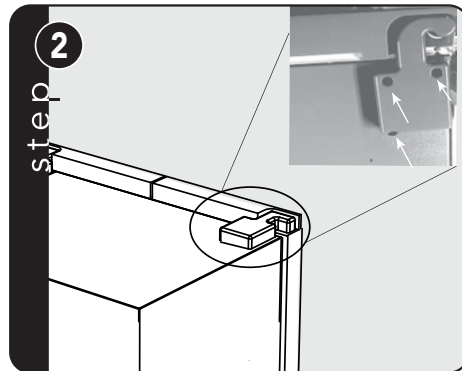
Parts included in  
STKVERFSS Top Grille Kit



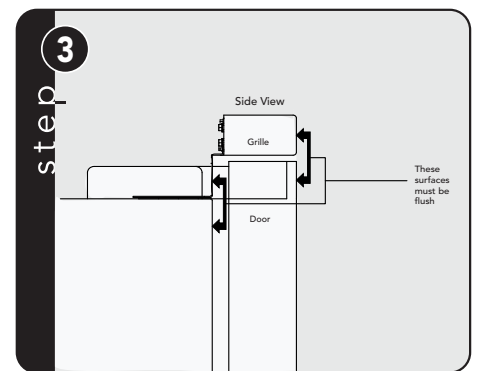
Installation - GKRVERFSS (Top Grille without side trim)



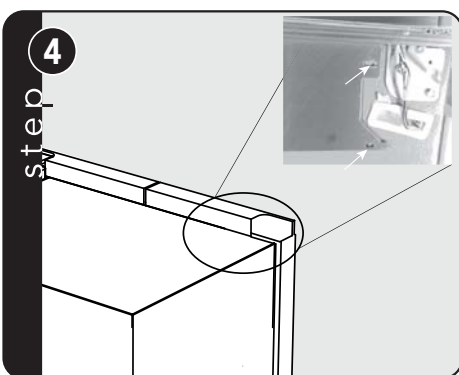
Attach spacers, included in the kit, to the grille assembly with four screws. **DO NOT** install spacers if installing the side trim.



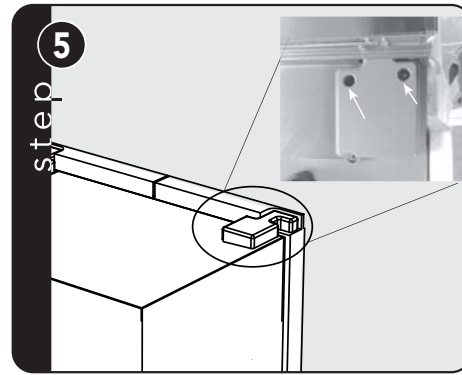
Remove plastic caps from the top hinges by removing (3) 1/4" hex head screws. Save these screws to replace plastic caps.



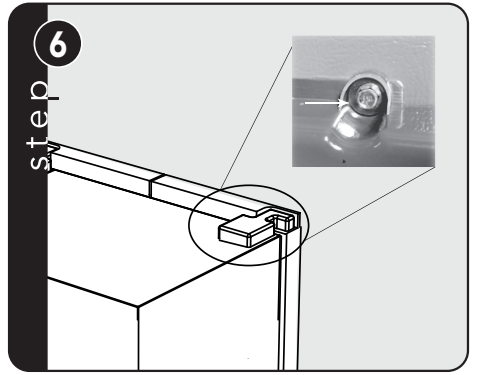
Align and position grille on top of unit so that the face of the grille and the face of the door are flush.



Use the two inner hole locations to properly align the grille.



Place plastic caps back on top of hinges and located existing holes. Insert screws making sure the grille is centered.

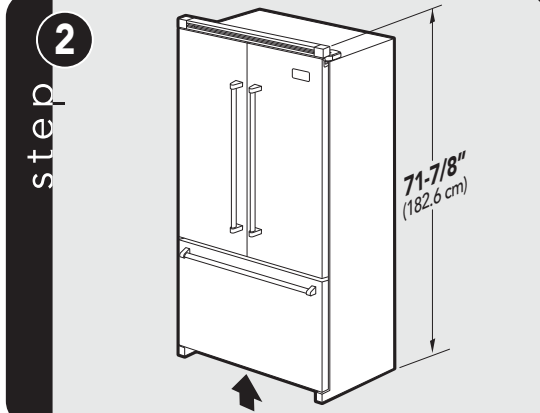


Use washer when replacing screw in rear hole of plastic cap. Tighten all hex screws

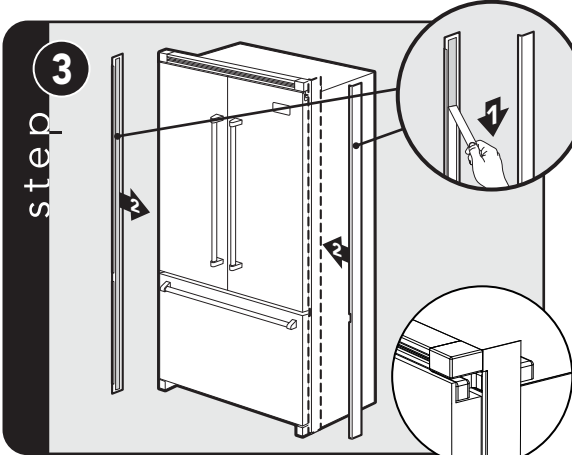
# Installation - GKRVRFSS and STKVRFSS (Top Grille and Side Trim)

Side trim can be installed after attaching the grille assembly without the side spacers.

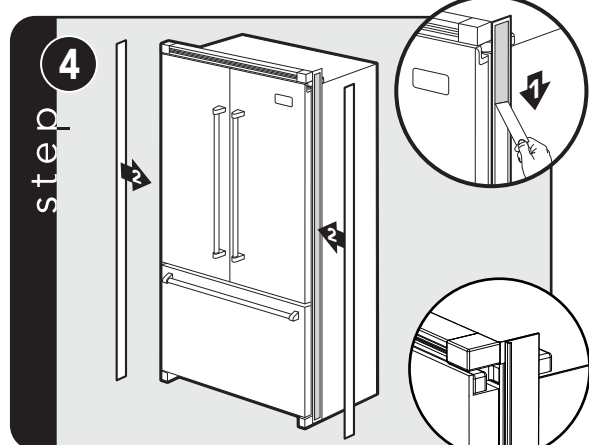
**step 1** Before installing the side trim, install the grille assembly without the side spacers. Use alcohol swabs to clean areas of refrigerator cabinet and inside of side trim to ensure adhesive backing adheres to cabinet and side trim.

**step 2** 

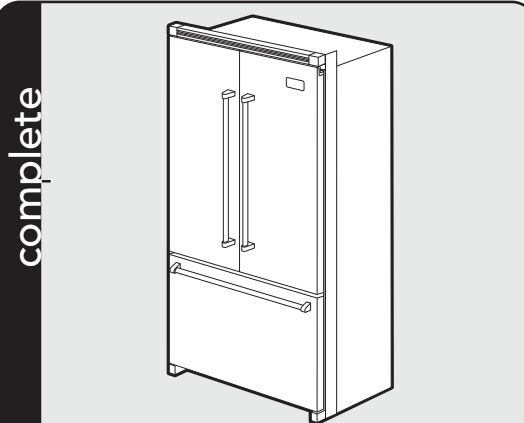
Raise the unit up until the measurement from the floor to the top of the grille assembly is 71-7/8 inches.

**step 3** 

Shim trim has adhesive backing on both sides. Remove adhesive backing on refrigerator side only. Fit the shim trim to the front of the unit first. With center hinge, the shim trim will have a cutout. Use the cutout to locate the height of the shim trim.

**step 4** 

Remove adhesive backing for the side trim. Locate the top of the side trim with the top of the grille assembly. Press the side trim into the refrigerator cabinet at the center location.

**complete** 

## Specifications

Freestanding Refrigerators	
Description	RVRF336*
Overall height with grille	71-7/8" (182.6 cm)
Cutout height with grille	72" (182.9 cm)

Viking Range, LLC  
111 Front Street  
Greenwood, Mississippi 38930  
(662) 455-1200

For product information, call 1-888-845-4641  
or visit our web site at [vikingrange.com](http://vikingrange.com) in the US or [brigade.ca](http://brigade.ca) in Canada