



Installation GUIDE



Viking Range, LLC

111 Front Street

Greenwood, Mississippi 38930 USA

(662) 455-1200

For product information, call 1-888-845-4641
or visit the Viking Website at vikingrange.com



VIKING

Built-In Electric Warming Drawer

Table of Contents


Warnings & Important Safety Instructions _____	3
Dimensions _____	4
Specifications _____	5
Cutout Dimensions _____	6
Electrical Requirements _____	7
General Information _____	8
Installation _____	9
Final Preparation _____	11
Performance Checklist _____	11
Service & Registration _____	12

IMPORTANT— Read and Follow!

- Before beginning, please read these instructions completely and carefully.

Your safety and the safety of others is very important.

We have provided many important safety messages in this manual and on your appliance. **ALWAYS** read and obey all safety messages.

 This is the safety alert symbol. This symbol alerts you to hazards that can kill or hurt you and others.

All safety messages will be preceded by the safety alert symbol and the word "DANGER," "WARNING" or "CAUTION." These words mean:

 DANGER

Hazards or unsafe practices which **WILL** result in severe personal injury or death.

 WARNING

Hazards or unsafe practices which **COULD** result in severe personal injury or death.

 CAUTION

Hazards or unsafe practices which **COULD** result in minor personal injury or property damage.

All safety messages will identify the hazard, tell you how to reduce the chance of injury, and tell you what can happen if the instructions are not followed.

- **DO NOT** remove permanently affixed labels, warnings, or plates from product. This may void the warranty.
- All local and national codes and ordinances must be observed. Installation must conform with local codes, or in the absence of codes, the National Electrical Code, ANSI/NFPA-70 – latest edition.

- The installer must leave these instructions with the consumer who should retain for local inspector's use and for future reference.

In Canada: Installation must be in accordance with the current CSA C22.1 Canadian Electrical Codes Part 1 and/or local codes.

 WARNING


FIRE AND ELECTRICAL SHOCK HAZARD

To reduce the risk of electric shock and fire, **DO NOT** use a flexible power-supply cord with this appliance.




 WARNING

For outdoor installation, installer must install a ground fault interrupt.

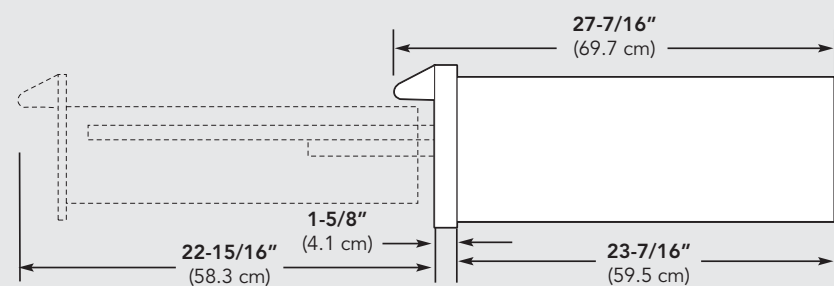
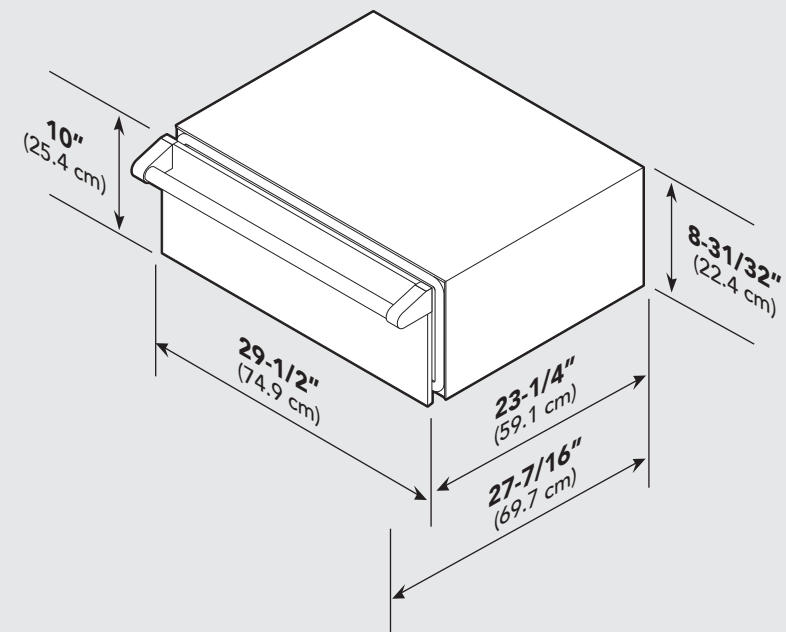
 WARNING

Make sure that incoming voltage is the same as unit rating. An electric rating plate specifying voltage, hertz, wattage, amps, and phase is attached to the product. Wiring the warming drawer with more voltage than it is rated for may cause severe damage to the thermostat, element, and other components. Wiring the warming drawer with less voltage than it is rated for may cause significant decrease in performance.

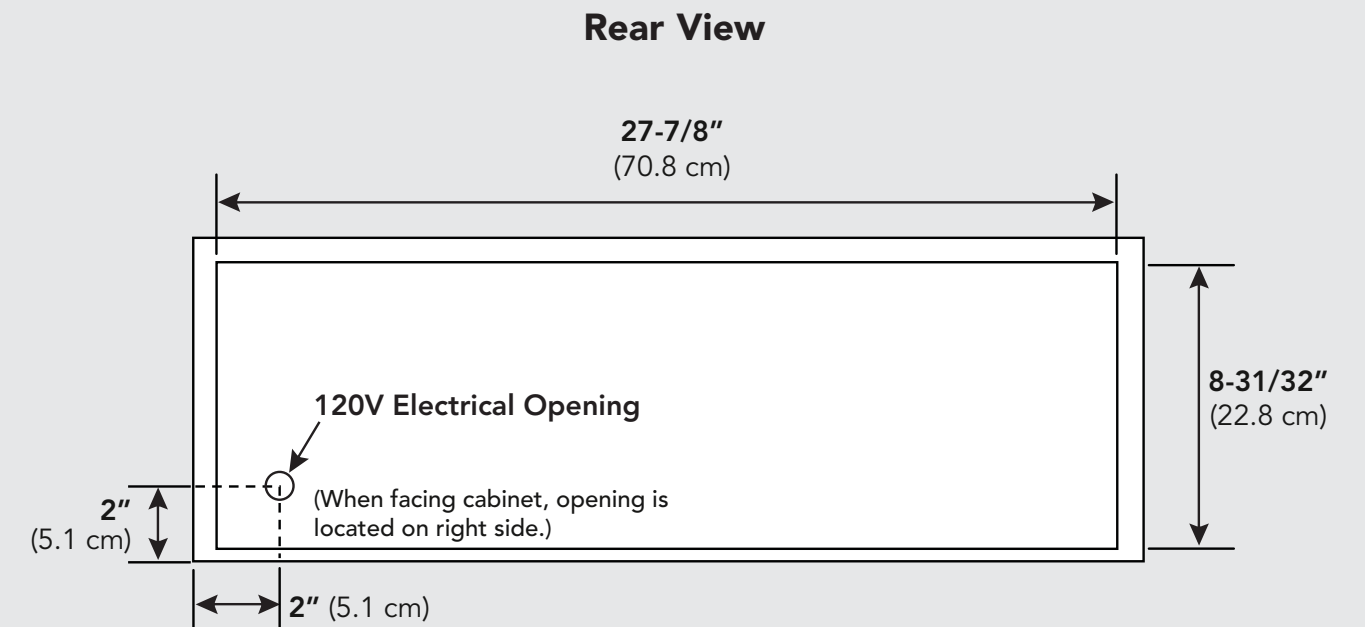
 WARNING

To reduce the risk of fire, electric shock, or injury to persons, installation work and electrical wiring must be done by qualified people in accordance with all applicable codes and standards, including fire-rated conditions.

Dimensions



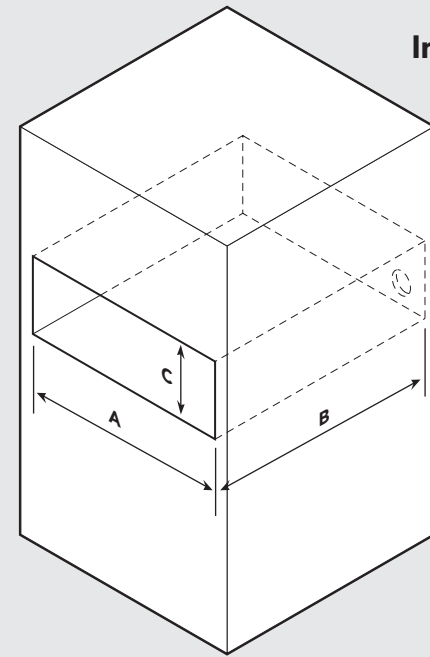
Dimensions



Specifications

Description	RVEWD
Overall width	29-1/2" (74.9 cm)
Overall height (from bottom)	10-1/4" (26.0 cm)
Overall depth (from rear) To end of handle	27-7/16" (69.7 cm)
With drawer fully extended	48" (121.9 cm)
Interior width	20-1/2" (52.1 cm)
Interior height	10-1/4" (26.0 cm)
Interior depth	22-3/4" (27.8 cm)
Electrical Requirements	Hard wire direct with separate 15 amp minimum 2-wire with ground circuit; 120 VAC/50-60 Hz
Max. Amp Usage	450 watts 3.8 amps
Approx. shipping wt.	90 lb. (40.5 kg)

Cutout Dimensions



Indoor

	RVEWD
Cutout width (A)	28-1/4" (71.8 cm)
Cutout depth (B)	23-1/2" (59.7 cm)
Cutout height (C)	9-1/4" (23.5 cm)

Flush Mount Option:

Note: To install the warming drawer in a flush mount application, a flush mount accessory kit is required and sold separately.

	RVEWD
Cutout width (A)	29-5/8" (75.3 cm)
Cutout depth (B)	25-1/8" (63.8 cm)
Cutout height (C)	10-1/8" (25.7 cm)

Electrical Requirements

Electrical Requirements

Check your national and local codes regarding this unit. Hard wire direct with separate 120V/15 amp minimum 2-wire with ground circuit. Maximum amp usage.

	RVEWD
Max. amp usage	450 watts 3.8 amps

Electrical Connection

Note: Use copper conductors **ONLY!**

Grounding Instructions

This appliance must be connected to a grounded metal, permanent wiring system, or an equipment-grounding conductor must be run with the circuit conductors and connected to the equipment-grounding terminal or lead on the appliance.

With the appliance positioned in front of the cabinet opening, connect wire leads extending from the power supply to the terminal block of the unit. Make sure the colored wires of the terminal block are connected to the corresponding colored wires extending from the power supply.

⚠ WARNING

ELECTRICAL SHOCK HAZARD

To avoid the risk of electrical shock, personal injury or death; verify electrical power is turned off at the breaker box until the range is installed and ready to operate, installation by an authorized installer only.

General Information

- When installing this unit directly below other units, only install with Viking built-in products.
- Remove warming drawer carefully from carton. Remove all loose packaging and accessories.
- It is the responsibility of the installer to comply with local codes. If no local codes are applicable, wire in accordance with the National Electrical Code, ANSI/NFPA-70 – latest edition.
- **This appliance is not fused. Protect with a proper sized fuse or circuit breaker and a GFI for outdoor models.**
- Line disconnect switch, circuit breaker, GFI (for outdoor models) or plug/receptacle of power cord connection should be readily accessible to the operator.
- Ground unit per applicable electrical codes.
- Any installation not matching the specifications discussed in these instructions will void the manufacturer's warranty.

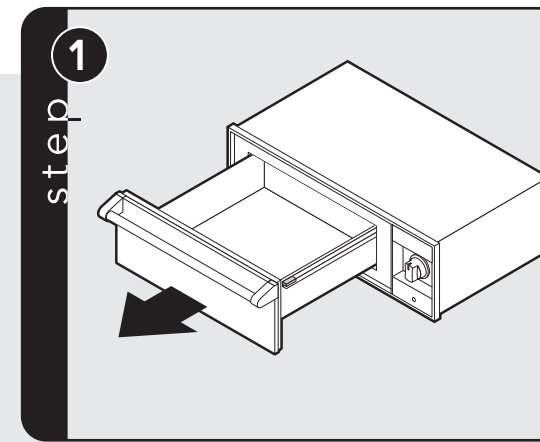
READ AND FOLLOW ALL WARNING AND CAUTION INFORMATION WHEN INSTALLING THIS APPLIANCE.

Moving, Handling and Unpacking

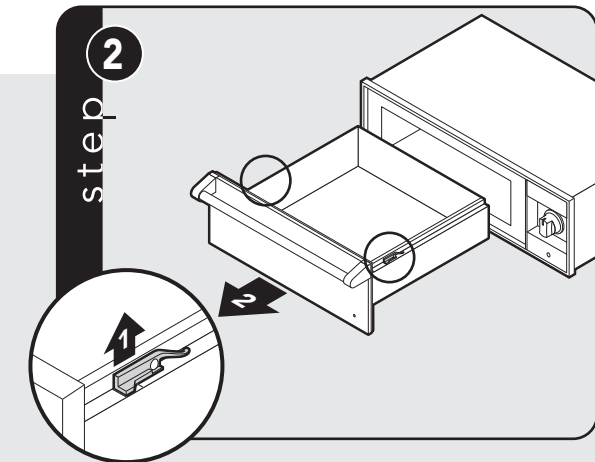
Remove and discard all packing materials, including cardboard and tape on the outside and inside of the warming drawer.

Some stainless steel parts may have a plastic protective wrap which must be peeled off. The interior should be washed thoroughly with hot, soapy water to remove film residues and any dust or debris before being used, then rinsed and wiped dry. Solutions stronger than soap and water are rarely needed.

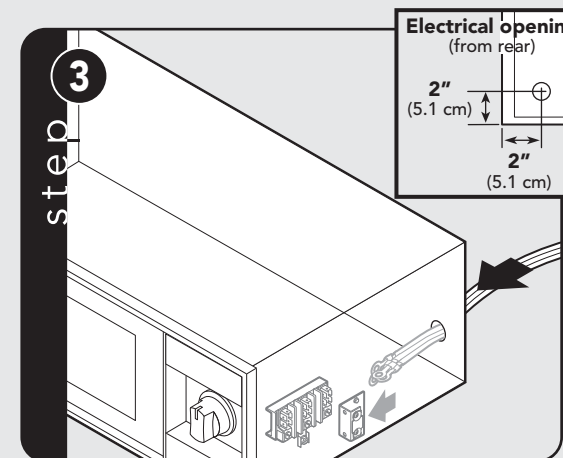
Installation



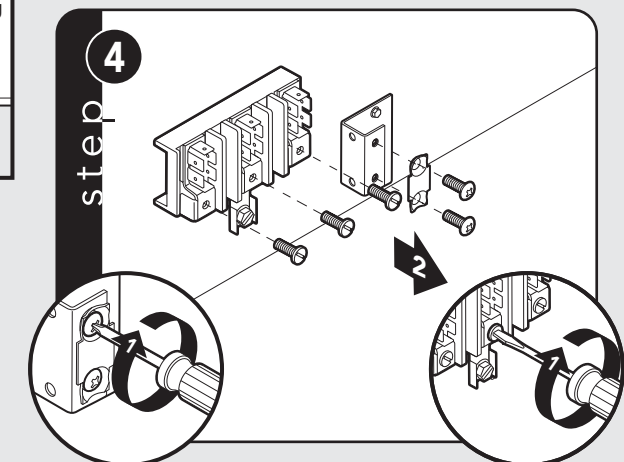
Pull out warming drawer pan until fully extended.



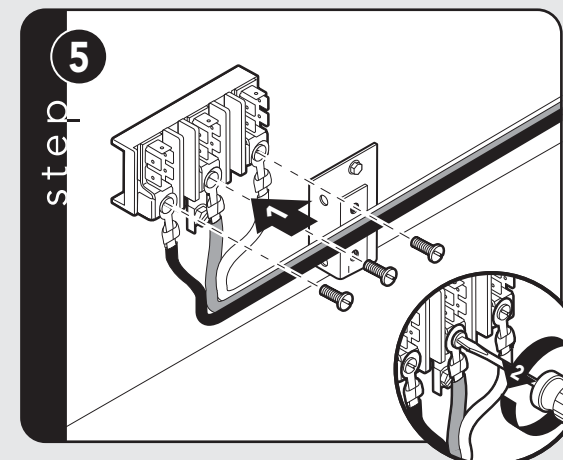
Slide finger along right and left side until you reach the black hand latches (located at the front of the rails). Pull up on both the right and left latches and pull out drawer pan support.



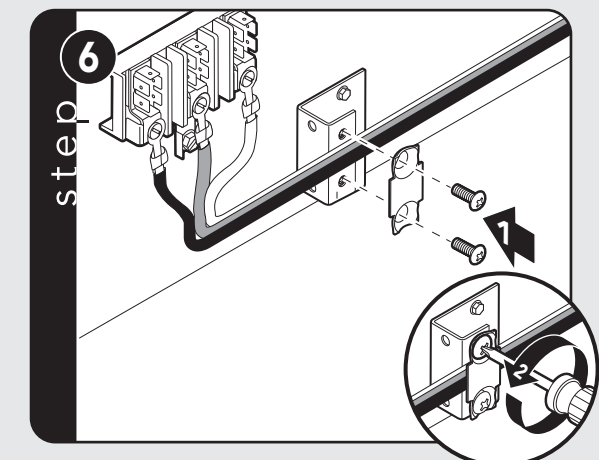
Feed supply cord up through hole in rear of warming drawer.



Remove strain relief bracket and mounting screws on the terminals.

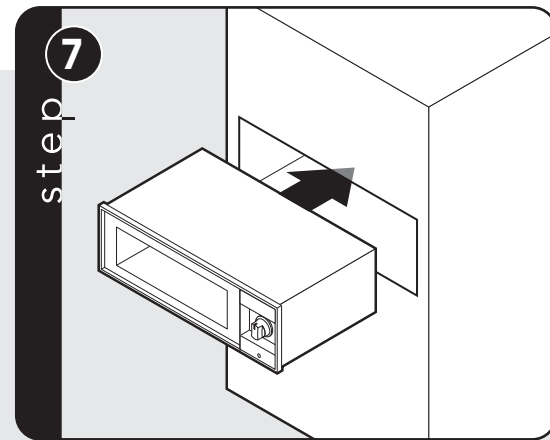


Attach the white (neutral) and black (line) lead terminals. Attach ground wire to the center terminal.

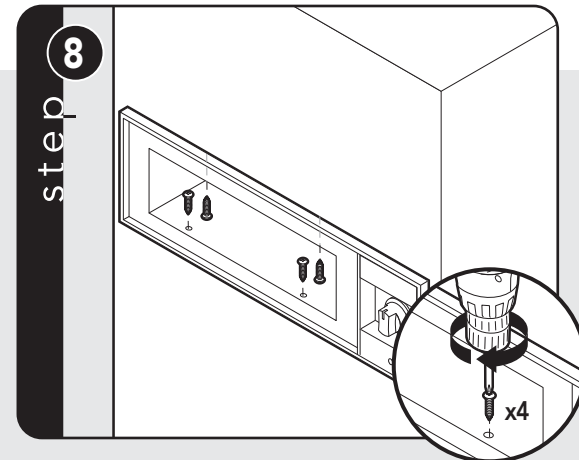


Push supply cord toward terminal block to relieve strain, reattach supply cord strain relief bracket over supply cord.

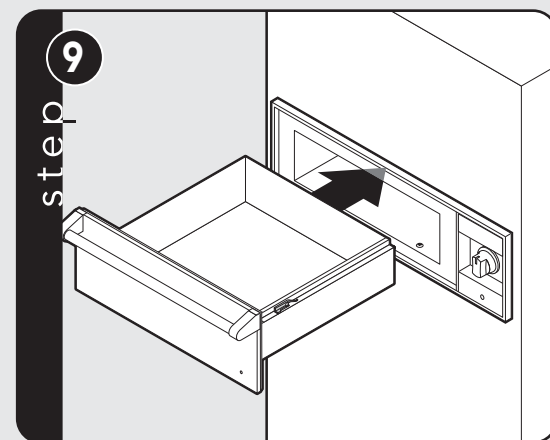
Installation (cont.)



Slide cavity assembly into the cabinet opening.



Secure the warming drawer using four #8 mounting screws (four screws provided).



Replace drawer assembly.

Final Preparation

- All stainless steel body parts should be wiped with hot, soapy water and with a liquid cleaner designed for this material. If buildup occurs, **DO NOT** use steel wool, abrasive cloths, cleansers, or powders! If it is necessary to scrape stainless steel to remove encrusted materials, soak with hot, wet cloths to loosen the material, then use a wool or nylon scraper. **DO NOT** use a metal knife, spatula, or any other material tool to scrape stainless steel! Scratches are almost impossible to remove.

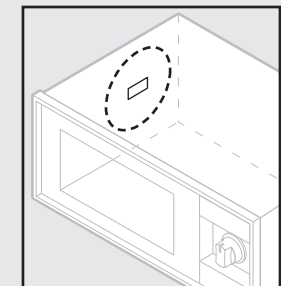
Service & Registration

Only authorized replacement parts may be used in performing service on the appliance. All servicing should be referred to a qualified technician.

Contact Viking Range, LLC, 1-888-845-4641, for the nearest service parts distributor in your area or write to:

**VIKING RANGE, LLC
PREFERRED SERVICE
111 Front Street
Greenwood, Mississippi 38930 USA**

Warming Drawer – The serial number and model number for your appliance can be found by pulling drawer out until it stops and lifting inner lining. Rating/Serial plate is located on the left, rear side.



Record the following information indicated below. You will need it if service is ever required.

Model number _____

Serial number _____

Date of purchase _____

Date installed _____

Dealer's name _____

Address _____

These installation instructions should remain with the unit for future reference.