



## 5 SERIES INDOOR WARMING DRAWER

Viking Professional 5 Series – VEWD

### PROFESSIONAL FEATURES

- Temperature settings from 90 to 250 degrees F accommodate all types of food
  - Low setting is ideal for plate warming or bread proofing
  - High setting keeps soups and sauces piping hot
- Large drawer capacity
  - 27"W. model: 17-1/4" wide by 6" high by 22-3/4" deep (1.4 cubic ft.)
  - 30"W. model: 20-1/2" wide by 6" high by 22-3/4" deep (1.7 cubic ft.)
  - Entire drawer is easily removable for cleaning
- Versatile moisture-selector control regulates amount of moisture released from drawer
  - Adjustments can be made without opening the drawer and affecting the interior temperature and humidity – open vent to keep foods crisp; close vent to keep foods moist
- Shipped with two removable stainless steel low racks and removable stainless steel moisture cup
  - Low racks cover entire bottom of pan for the largest loads or remove one section for half coverage
  - Moisture cup holds water to increase interior humidity
- Powerful 425-watt heating element on 27" wide model; 450-watt element on 30" wide model
- Power "on" indicator light cycles on and off with heating element



### INSTALLATION OPTION

- All indoor warming drawers can be installed flush to the cabinet with Flush Mount Installation Kit accessory

### MODEL NUMBERS

- VEWD527 – 27"W. Warming Drawer
- VEWD530 – 30"W. Warming Drawer

### COMMERCIAL CONSTRUCTION AND DESIGN

- Commercial-type size and styling
- Heavy-duty drawer handle and perimeter trim
- Stainless steel roller-bearing glides for smooth drawer operation
- Large, easy-to-read, commercial-type knob (hidden when door is closed)

### ACCESSORIES

- V30FTWSS – 30"W. Flush Mount Trim Kit

### COLOR FINISHES

- Available in seven exclusive color finishes
- Stainless Steel (SS), Black (BK), White (WH), Apple Red (AR), Burgundy (BU), Cobalt Blue (CB), Graphite Gray (GG)



### WARRANTY

- 3-year full covers complete indoor unit
- 90-day full – cosmetic parts such as glass, painted items, and decorative items



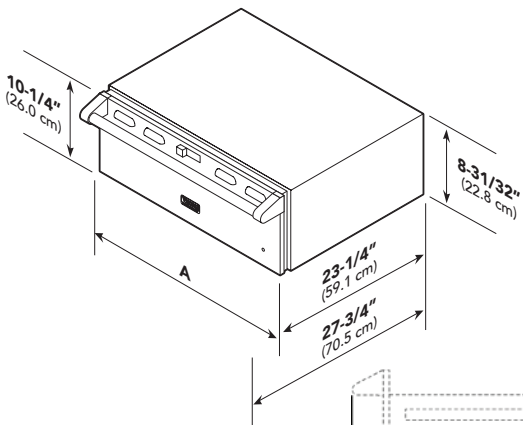


# 5 SERIES INDOOR WARMING DRAWER

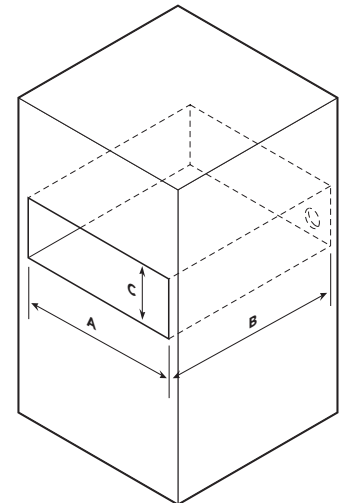
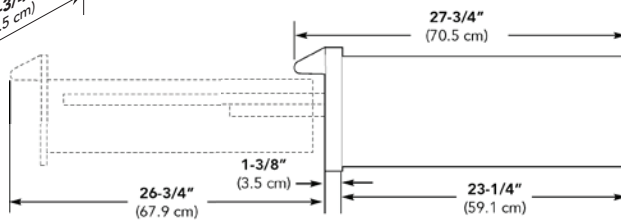
Viking Professional 5 Series – VEWD

ELECTRIC WARMING DRAWERS		
DESCRIPTION	VEWD527	VEWD530
Overall Width	26-1/2" (67.3 cm)	29-1/2" (74.9 cm)
Overall Height	10-1/4" (26.0 cm)	
Overall Depth from Rear	To end of handle – 27-3/4" (70.5 cm) With drawer fully extended – 51-3/8" (130.5 cm)	
Cutout Width	25-1/4" (64.1 cm)	28-1/4" (71.8 cm)
Cutout Height	9-1/4" (23.5 cm)	
Cutout Depth	23-3/8" (59.4 cm) minimum	
Electrical Requirements	120VAC/60Hz – hard wire direct with separate 15-amp minimum 2-wire with ground circuit	
Maximum Amp Usage	425 watts – 3.6 amps	450 watts – 3.8 amps
Interior Dimensions	Width – 17-1/4" (43.8 cm) Height – 6" (15.2 cm) Depth – 22-3/4" (57.8 cm) Overall Size – 1.4 cu. ft.	Width – 20-1/2" (52.1 cm) Height – 6" (15.2 cm) Depth – 22-3/4" (57.8 cm) Overall Size – 1.7 cu. ft.
Approximate Shipping Weight	80 lb. (36 kg)	90 lb. (40.5 kg)

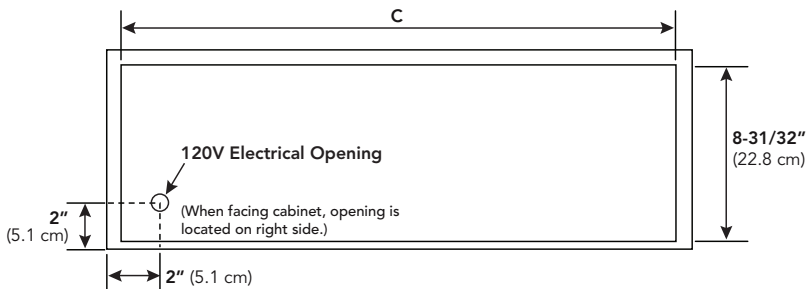
Please do not prepare installation from brochure data only. See installation instructions for important clearance/installation information.



	VEWD527	VEWD530
A	26-1/2" (67.3 cm)	29-1/2" (74.9 cm)



	VEWD527	VEWD530
A	25-1/4" (64.1 cm)	28-1/4" (71.8 cm)
B	23-1/2" (59.7 cm)	23-1/2" (59.7 cm)
C	9-1/4" (23.5 cm)	9-1/4" (23.5 cm)
Flush Mount Option		
A	26-15/16" (68.4 cm)	29-15/16" (76.0 cm)
B	25-3/8" (64.5 cm)	25-3/8" (64.5 cm)
C	10-5/8" (27.0 cm)	10-5/8" (27.0 cm)



VIKING RANGE, LLC 111 FRONT STREET GREENWOOD, MISSISSIPPI 38930 USA

For detailed product information, model numbers, or to request a quote call 1-888-845-4641 or visit vikingrange.com  
© 2015 Viking Range, LLC All rights reserved. Specifications subject to change without notice.