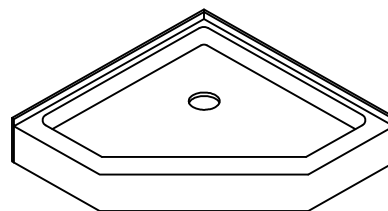
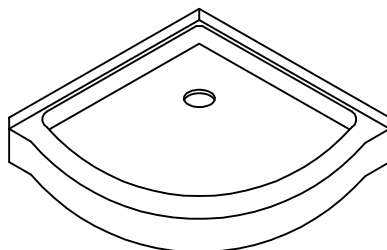


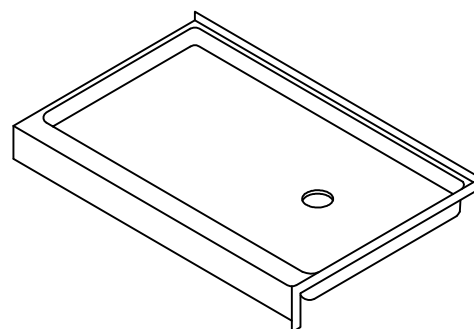
MODEL VG06029



MODEL VG06069



MODEL VG06039



MODEL VG06019

A careful review of these procedures (and any referenced publications) before starting is important in avoiding unnecessary problems resulting in an improper assembly or installation.

NOTE: All drawings in this publication are typical, and may appear different than the actual items being installed. In addition, optional items may be shown on the units which may not have been ordered on the unit being installed.

Special Notes to Installer

- It is the sole responsibility of the installer to determine, prior to the installation, the requirements necessary for compliance with all codes involving the unit or the installation!
- All paperwork packaged with the unit and any associated options or accessories should be saved and presented to the homeowner upon completion of the installation!
- All published unit dimensions are for reference only. Any critical dimensions required for installation should be taken directly from the unit being installed!
- Any independent changes made to the unit (or to any options and accessories supplied with the unit) beyond those required for normal installation can void all warranties! (Refer to *warranties* for further information.)

Inspection Guidelines

A careful check of the unit should be conducted upon receipt. Notify your supplier immediately if any questions or problems are encountered during this process.

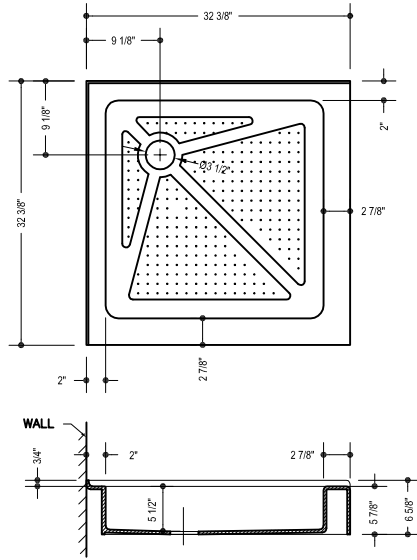
DO NOT INSTALL ANY UNIT WITHOUT FIRST ADDRESSING QUESTIONS WHICH ARISE DURING THE INSPECTION!

Basic Module Check

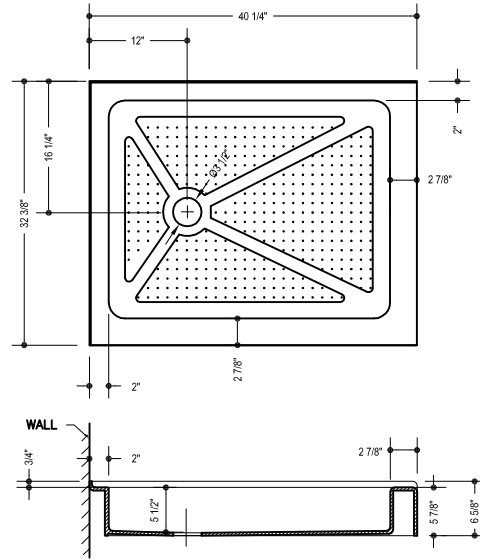
- Check that the unit drain matches the bathroom drain location.
- Check for unit surface damage.
- Check unit color for coordination to other bathroom fixtures.

Options/Accessories Check

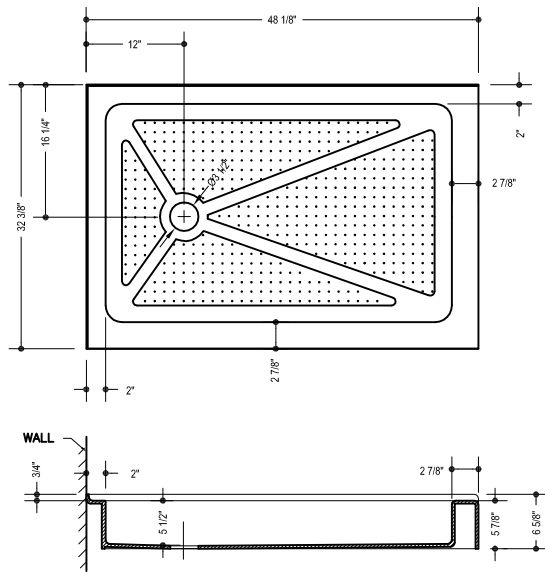
An individual check list is included with the assembly and installation guidelines of factory authorized options. Refer to listed publications for further information before continuing.



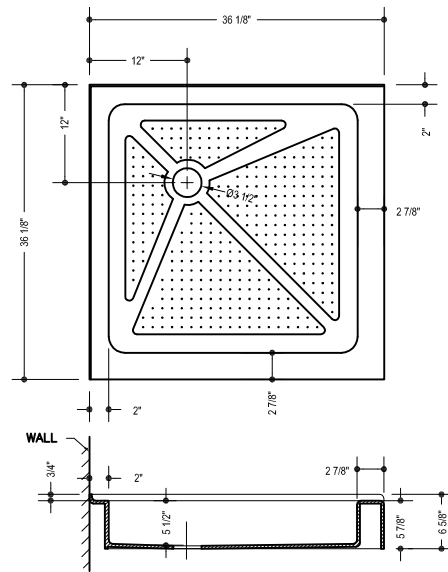
MODEL VG06019XXX3232



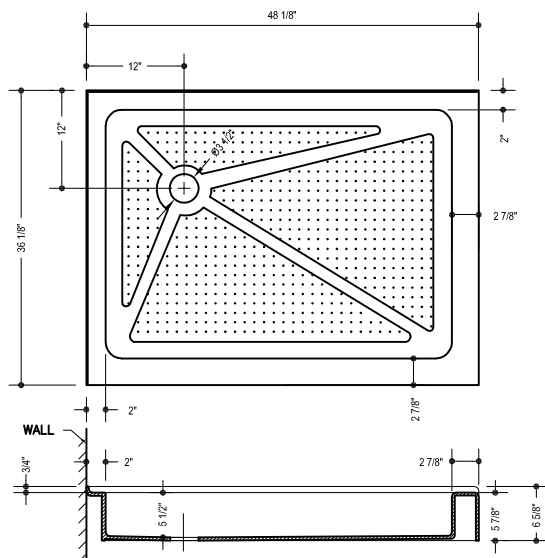
MODEL VG06019XXX3240



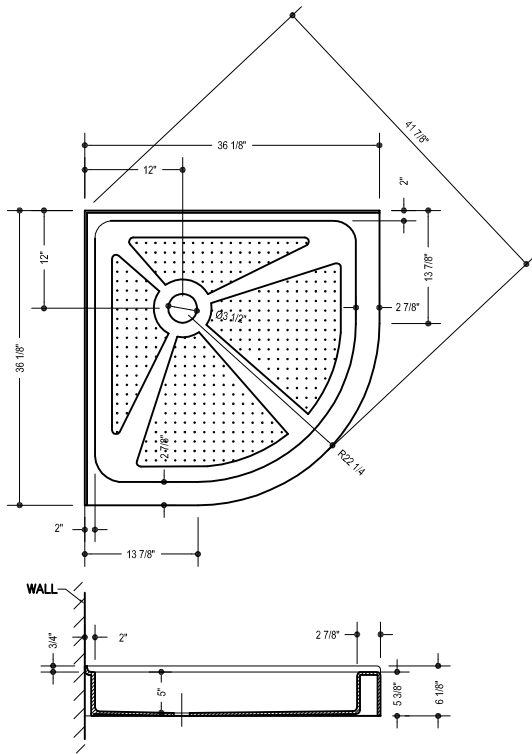
MODEL VG06019XXX3248



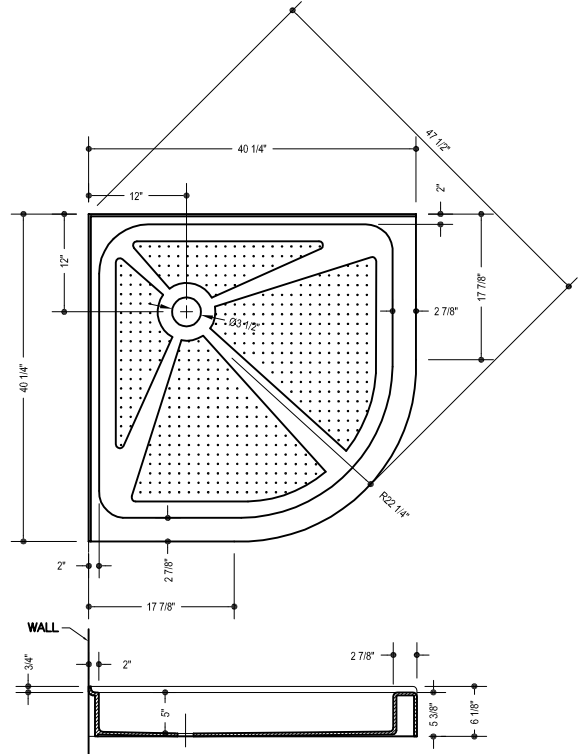
MODEL VG06019XXX3636



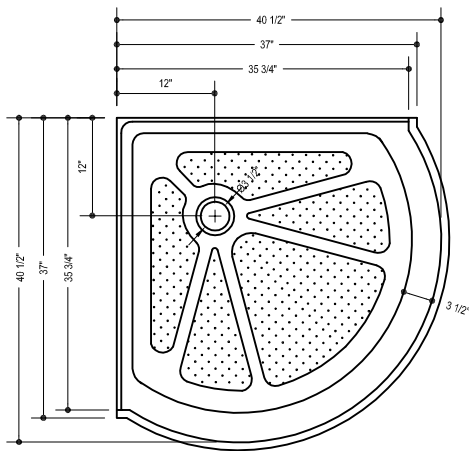
MODEL VG06019XXX3648



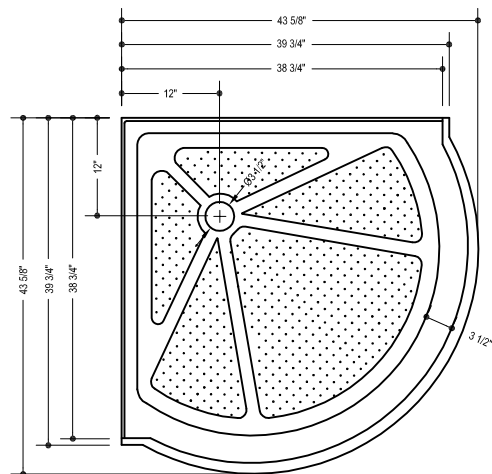
MODEL VG06029XXX36



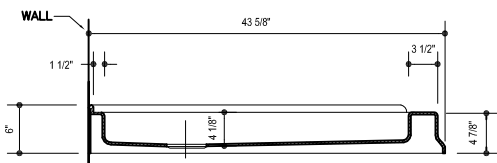
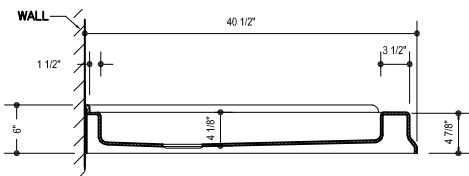
MODEL VG06029XXX40

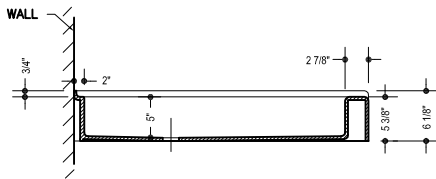
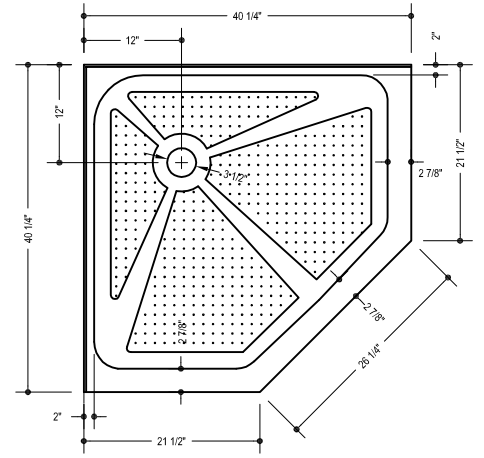
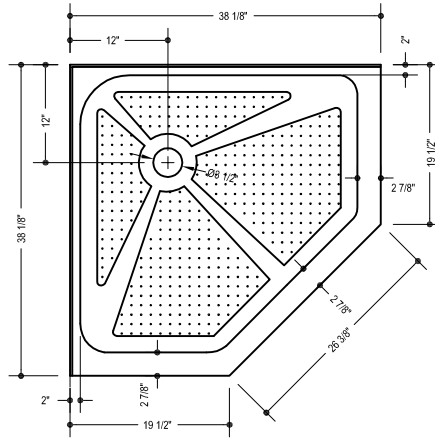
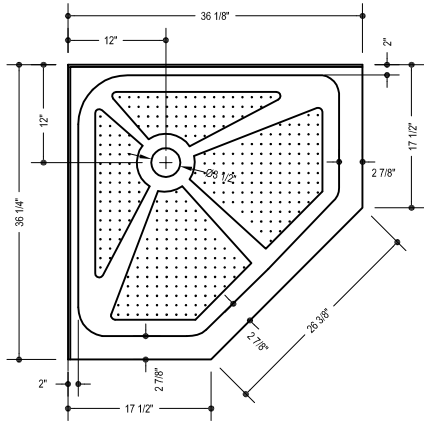


MODEL VG06039XXX36

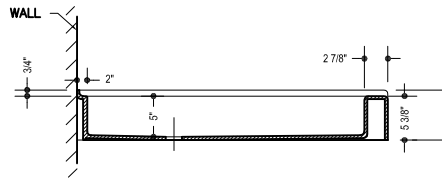


MODEL VG06039XXX40

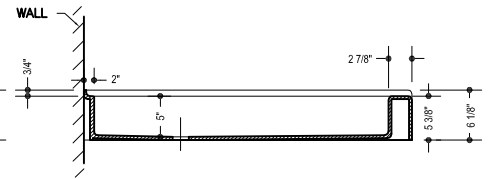




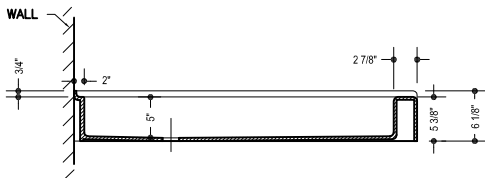
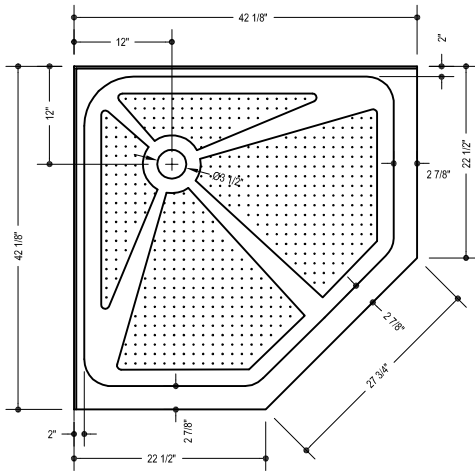
MODEL VG06069XXX36



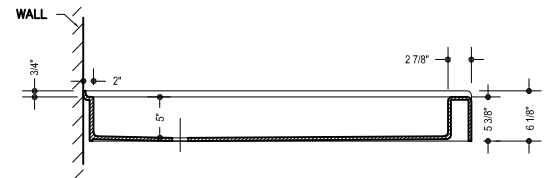
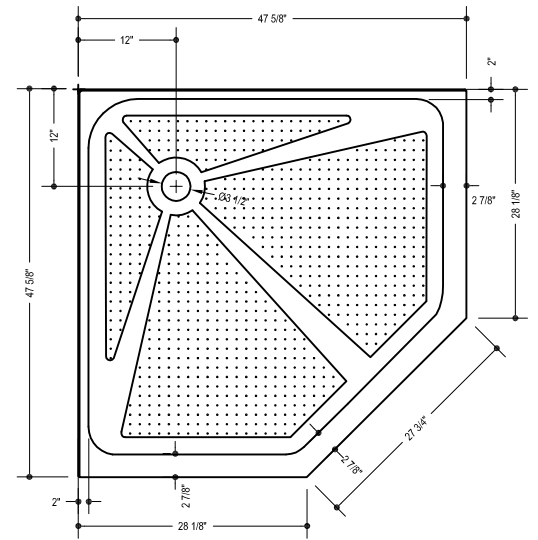
MODEL VG06069XXX38



MODEL VG06069XXX40



MODEL VG06069XXX42



MODEL VG06069XXX47

Refer to drain manufacturer for proper drain installation methods and instructions.

Framing Requirements

Due to individual site variations, exact guidelines for every situation cannot be supplied. The recommended framing and dimensional requirements shown are for a typical application and may depending on site requirements.

The dimensions shown in Figure 1a and 1b are from the surfaces where the unit will be attached. This surface can be bare studding, dry wall or other suitable underlayment material.

IT IS IMPORTANT THAT THE FLOOR AND ALL FRAMING BE SQUARE AND LEVEL.

Framing should be done using accepted materials and construction techniques, in accordance with all applicable codes. Make sure to use materials that will properly fill open voids between the base and sub floor while maintaining the intended functionality of the base.

Installation Procedure

With the unit positioned in the alcove, several details must be checked prior to securing the unit in place (Figure 2a, 2b and Figure 2c);

- Confirm dam is resting flush on the floor.
- 9 Confirm drain alignment.
- Confirm the top of unit is level on all sides.
- Confirm the unit is square in the alcove framework.
- Confirm the front inside corner is plumb at each end. (This is critical for the proper installation of an enclosure)

The unit must be positioned square in the alcove framework. The use of shim or filler material behind the fastening flange at each framing member may be required to maintain the unit in the proper position.

After the unit is confirmed leveled and square in the alcove, drill a 1/8 inch hole through the fastening flange at each framing member and every 8 inches along the front fastening flanges. Secure the unit in place across the back wall first, followed by the flanges at each end and along the front flanges, using 1-1/4 inch long screws or other appropriate fasteners. Continuously check to confirm the base remains square within the alcove as it is being secured. (Figure 3a and 3b)

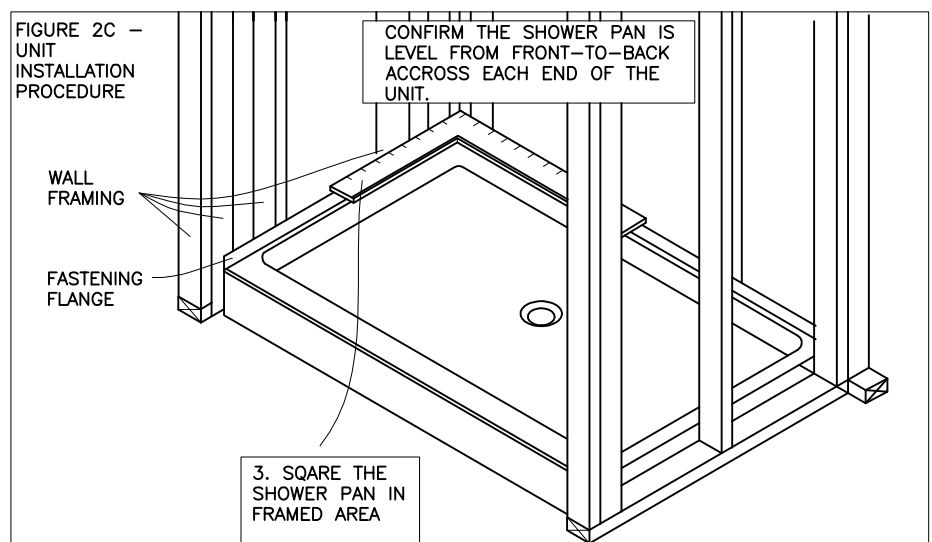
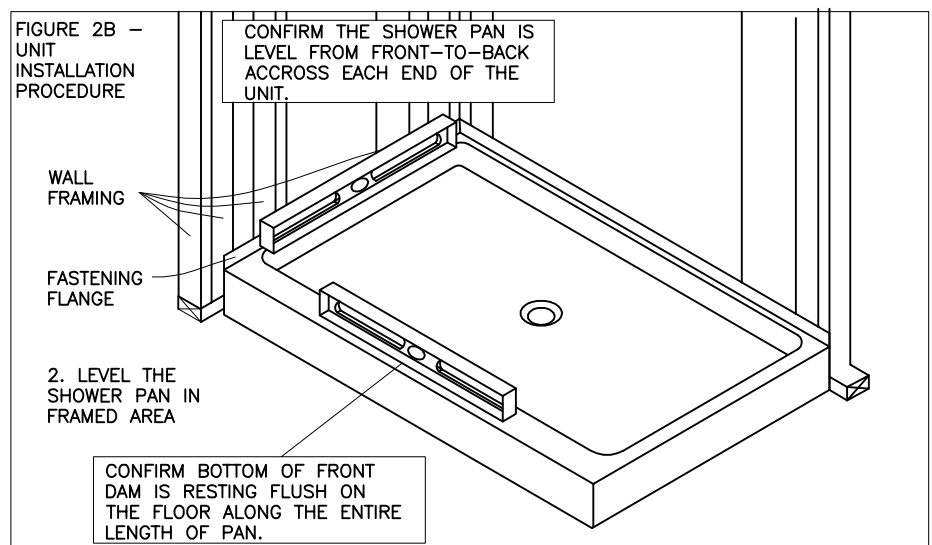
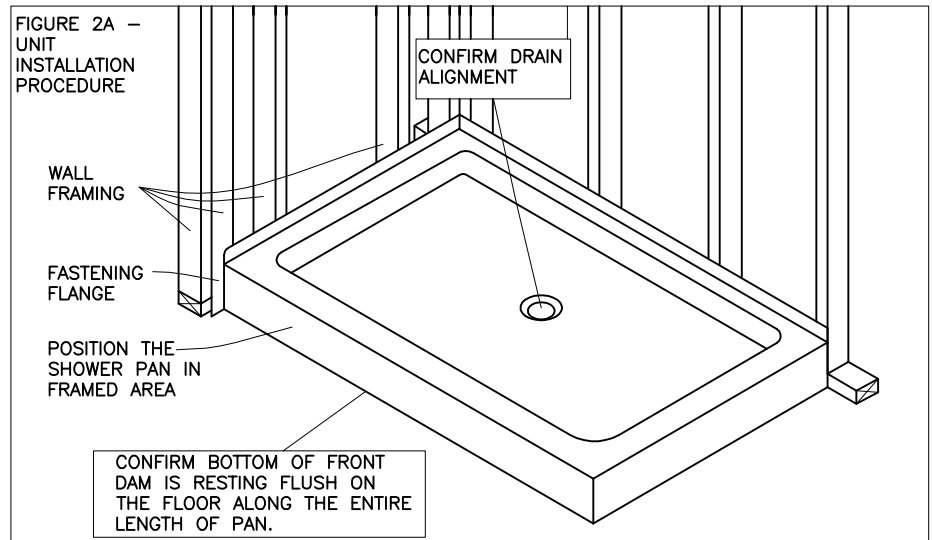


FIGURE 3A - SECURING UNIT

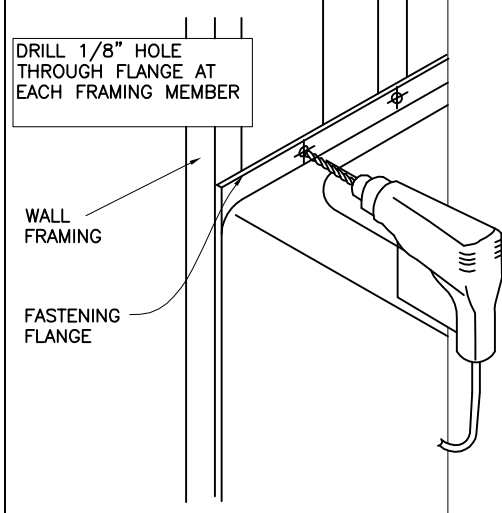


FIGURE 3B - SECURING UNIT

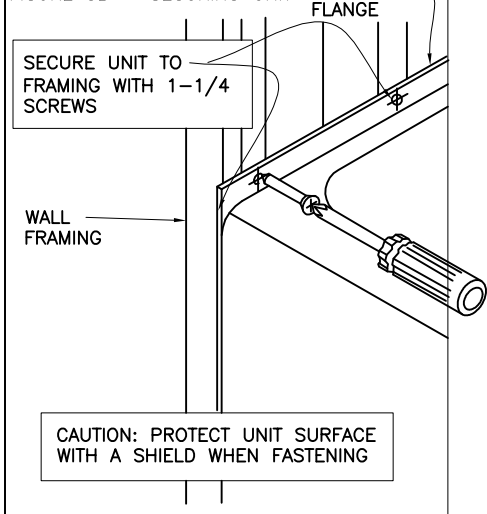
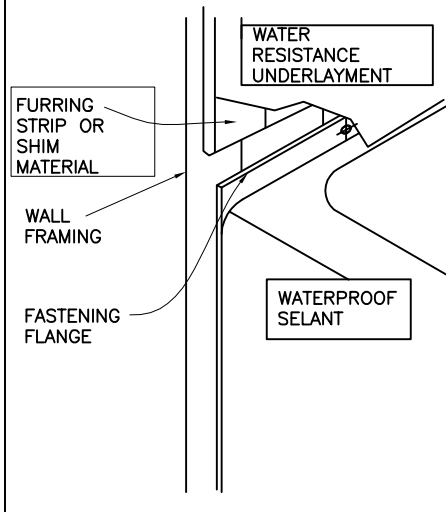


FIGURE 4 - WALL FINISHING



WARNING! THE UNIT BOTTOM SHOULD BE CLEAR OF ALL POTENTIALLY DAMAGING DEBRIS AND THE SURFACE PROTECTED BEFORE STEPPING INSIDE.

CAUTION: It is advisable to protect the unit surface with a thin plywood or cardboard shield while fastening the flange to the framing.

Water Supply and Drain Connections Refer to, and follow, the assembly and installation instructions provided with the supply valves and drain system. **Carefully check all fittings and connections for leaks.**

Finishing Guidelines

Furring strips or filler material may be required over the framing to ensure the underlayment will lie flush over the fastening flanges (Figure 4).

A water resistant underlayment is recommended on areas surrounding the unit. Stop the underlayment 1/16 to 1/8 inch from the unit surface, and fill the space with a continuous bead of waterproof sealant.

Carefully fasten the underlayment near the unit to avoid damaging the unit surface. Seal the seams and edges of the underlayment, as required, and install the finish material to specifications. (Figure 4)

WARNING! NEVER USE ABRASIVE MATERIALS NOR ABRASIVE CLEANERS ON THE UNIT SURFACE!

EXTREME CAUTION is urged regarding the use of any cleaner, acid or solvent on the unit surface.

READ, AND FOLLOW ALL PACKAGE LABELS AND INSTRUCTIONS!

Through routine use, the unit surface can collect residues from soap, bath additives and natural body oils. Additional deposits can also collect from minerals or particles found in the water. After each use, wipe the excess water from the unit. This practice will reduce the buildup of deposits and help maintain the natural unit lustre.

Following a thorough surface cleaning, an application of quality automotive wax will help reduce major accumulations. The actual schedule for cleaning, and waxing, will depend on unit usage and water quality.

WARNING! AVOID APPLYING WAX TO THE UNIT BOTTOM!

- **Routine Cleaning:** Mild, non-abrasive cleaner specifically formulated for gelcoat and acrylic surfaces recommended. (Rinse surface thoroughly.)
- **Heavy Soap Deposits:** Liquid ammonia household cleaner, applied full strength. (Rinse surface thoroughly.)
- **Stubborn Stains:** Liquid household cleaner or hydrogen peroxide, applied full strength. Place a saturated clean rag directly on stain and let stand several hours. (Rinse surface thoroughly.)
- For extreme cases, buff area with white automotive polishing compound until stain disappears, and apply a quality automotive wax to surface.
- **Hard Water Scales:** Liquid scale remover or white vinegar, applied full strength. (Rinse surface thoroughly.)
- **Mold/Mildew:** Liquid mildew remover or baking soda and water paste. Apply paste and allow to fizz several minutes. (Rinse surface thoroughly.)
- **Construction Adhesive:** Soften adhesive with hand held dryer and peel off adhesive. (Caution is advised when using any electrical device near water.)
- For stubborn cases, apply rubbing alcohol or nail polish remover, full strength, to adhesive. (Rinse surface thoroughly.)

WARNING! BATH MATS OR OTHER ITEMS WHICH ARE HELD IN PLACE USING SUCTION AGAINST THE UNIT SURFACE MUST BE REMOVED FROM THE FLOOR OF THE UNIT AFTER EACH USE.

OVER A PROLONGED PERIOD, FAILURE TO REMOVE THESE TYPES OF ITEMS FROM THE BOTTOM OF THE UNIT CAN RESULT IN SURFACE DAMAGE.