

# COLLECTION SPECIFICATIONS



## SINGLE BOWL Undermount Stainless Steel Kitchen Sink, Grid and Strainer Model VGR3219CK1

### FEATURED MODEL VGR3219CK1

#### SINK FEATURES

- 16 gauge, stainless steel
- 304 Nickel - Bearing Content
- 15 mm radius corners
- Elegant and functional drain grooves
- Long-lasting, easy-to-clean, satin finish
- Sound-deadening insulation
- Rear drain placement

#### PACKING LIST

- Sink
- Cut-out Template
- Mounting Hardware
- Strainer
- Grid



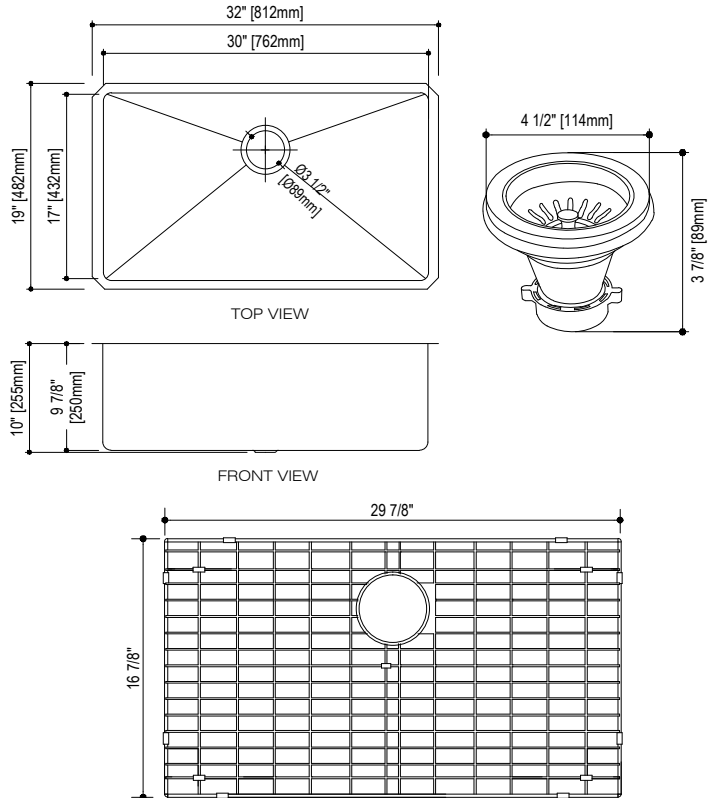
### NOMINAL DIMENSIONS

| MODEL #  | BOWL SIZE | SINK DEPTH | EXTERIOR DIM. | GAUGE |
|----------|-----------|------------|---------------|-------|
| VGR3219C | 30" X 17" | 9 7/8"     | 32" X 19"     | 16    |

| MODEL # | WIDTH   | LENGTH  | HEIGHT |
|---------|---------|---------|--------|
| VGG2917 | 29 7/8" | 16 7/8" | 1"     |

| MODEL #    | DIAMETER | DEPTH  |
|------------|----------|--------|
| VGSTRAINER | 4 1/2"   | 3 7/8" |

NOTE: THESE SINKS ARE INTENDED FOR INDOOR KITCHEN USE ONLY. THEY ARE NOT RATED FOR OUTDOOR USE. INSTALLATION OF THIS SINK IN AN OUTDOOR SETTING WILL VOID ANY WARRANTY ON THIS PRODUCT.



This Sink Kitchen Collection (VGR3219CK1) comes with Sink VGR3219C, Grid VGG2917 and Strainer VGSTRAINER. For return purposes, all 3 pieces must be returned to receive credit. No partial credit will be given on any partial kits received.

## Installation instructions Undermount Sinks

Before you begin:

Please carefully read these instructions.

Unpack and inspect the sink carefully. Do not install the sink if it is damaged.

Save all original packaging and receipts.

Check and follow all local plumbing codes.

General Recommendations:

Read installation and maintenance instructions, thoroughly before installation.

Be sure to use proper tools and always wear personal safety accessories for your protection

Long-Life Care

Vigo Stainless Steel Sinks are easy to keep looking new, longer with minimal care. For best results, always rinse with a mild soap and wipe after each use. Rub lightly with soft cloth in the direction of the grain line on a regular basis. To avoid damage and discoloration to the sink surface never use a steel wool or scouring pad.

**Tools and Materials needed:**

Tape Measure

Pencil (NOT ink)

Silicone Adhesive Sealant

Rags

Denatured Alcohol

Ear Protection

Eye Protection


Hacksaw/Jigsaw

Mounting clips (included)

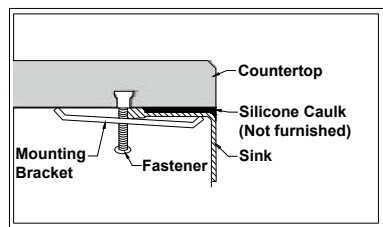
## Installation Instructions

Please carefully read complete instructions before beginning installation. Only a professional stone fabricator is qualified to perform this installation.

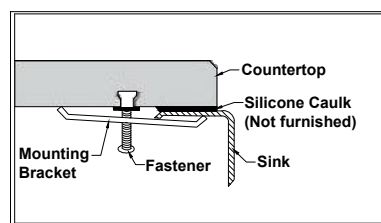
Note: These instructions are for installation with solid surface, composite material countertops. Vigo recommends professional countertop installers and is not responsible for damage to the countertop or sink during installation.

 Do not cut the sink opening with traditional saw cut method.

1. Unpack the new sink and check the contents of the materials supplied: Sink, Mounting brackets, and Cutout template (depending on model). Contact your retailer if any product is damaged or missing prior to installation. Never install a damaged sink as it can void your warranty.
2. Supplied cutout template provides two options of installation:
  - A. Flush mount: Sink edge is flush with countertop opening. (FIGURE 1)
  - B. Reveal mount: Sink rim is exposed approximately 1/4" from the edge of countertop opening. (FIGURE 2)

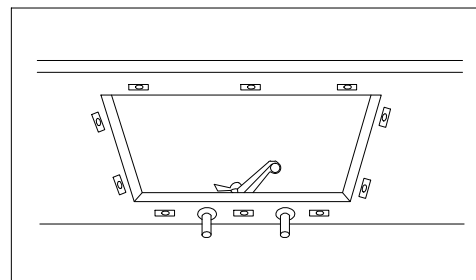


**Figure 1**



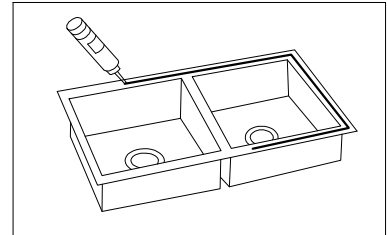
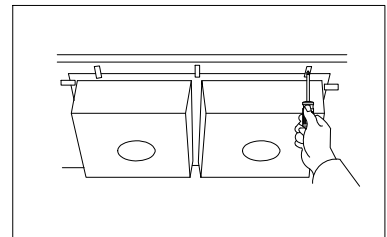
**Figure 2**

3. Cut out the appropriate template for your sink model and desired installation option. Place template in desired position on countertop, locating center of the bowl over cabinet and faucet holes.
4. Trace the outline of the template and cut countertop along the inside of the line using appropriate cutting tools. Template is for guide only. Use physical sink to ensure accurate cutout opening.
5. Locate the drill holes on the underside of the countertop, approximately 1" from edge of the sink to be installed. Holes should be evenly spaced approximately 6" to 8" apart starting from every corner as shown in Figure 3. It is recommended to install a faucet at this point before installing the sink.



**Figure 3**

6. Loosely attach mounting brackets to the countertop, parallel to the cutout opening using the supplied mounting screws and nuts. Mounting screws with brass inserts are supplied with the sink, however, countertop material vary and the correct type of fasteners should be recommended by your installer or supplier.
7. Clean sink flange and underside of cutout area of countertop, making sure that the area is smooth and free of grease. **MUST** use 100% silicone for this installation. Apply continuous bead of silicone caulk evenly on top of sink flange. (FIGURE 4) **NEVER** perform this procedure outdoor and under sunlight. If performed under an extremely hot and dry climate, the caulking of the sink frame should be performed by two people at the same time.
8. Position and align sink over the countertop opening and press sink onto countertop. Turn bent end of mounting bracket to snug over the sink rim.
9. Check alignment of sink again and tighten fasteners to secure sink. (FIGURE 5)
10. Wipe away excess silicone caulk with damp cloth. Connect drain and water supply according to manufacturer's instruction.

**Figure 4****Figure 5**

**Care and Maintenance****ALWAYS**

- ° Clean everyday by thoroughly rinsing with a mild soap and warm water and wipe dry.
- ° Rub lightly with a soft cloth in the direction of grain lines on a regular basis for additional preventative cleaning.
- ° Keep the sink free of any standing water as this can cause a buildup of mineral deposit, which can affect the appearance of your sink.
- ° Any stubborn stains should be removed by scrubbing in the direction of the grain with a mild abrasive such as Comet.
- ° Always rinse the sink after using any cleaning agent and wipe dry. Clean any mineral deposits built up over time with a mild solution of vinegar and water followed by a thorough flushing with water.
- ° Remove any scratches with a Scotch-brite pad and cleaning agent rubbing in the direction of the grain.

**NOT RECOMMENDED FOR MIRROR FINISH.**

**NEVER**

- ° Leave water spots, steel cookware or utensils in the sink for lengthy periods; iron particles often develop rust spots in the stainless steel surface.
- ° Use a steel wool or scoring pad as it damages the sink surface and causes discoloration.
- ° Let household cleaning agents or bleach sit in your sink for long period of time as this may ruin the finish of your sink.
- ° Leave rubber mats, sponges, or cleaning pads in the sink for long period of time as this may ruin the finish of your sink.
- ° Use any drain cleaning products containing sulfuric acid or hydrochloric acid as this will attack the sink. Silver cleaners can also contain acids that will damage the sink surface.
- ° Use the inside of the sink as cutting surface.

VIGO INDUSTRIES, LLC ("VIGO")  
KITCHEN SINK LIMITED LIFETIME WARRANTY

EFFECTIVE JANUARY 1, 2010

VIGO offers the following limited warranty on each of its Kitchen Sink products\* (the "Product"). This warranty extends only to the original owner or end-user for personal household use. For commercial uses, additional limitations apply.

VIGO warrants the Product to be free from defects in workmanship and materials under normal use and service for the period commencing from the initial date of purchase by the owner or end-user, contractor, or builder, from VIGO or an authorized VIGO dealer, through the lifetime of the original owner or end-user.

Subject to the Warranty Service provision below, any product reported to the authorized dealer or to VIGO as being defective within the warranty period will be repaired or replaced (with a product of equal value) at the option of VIGO. This warranty extends to the original owner or end-user and is not transferable to a subsequent owner.

Neither the distributor, authorized VIGO dealer, nor any other person has been authorized to make any affirmation, representation, or warranty other than those contained in this warranty. Any affirmation, representation, or warranty other than those contained in this warranty shall not be enforceable against VIGO or any other person.

VIGO reserves the right to modify this warranty at any time, it being understood that such modifications will not alter the warranty conditions applicable at the time of sale of the products in question.

#### Limitations

This warranty shall not apply to instances of incorrect operating procedures, breakages, or damages caused by fault through improper installation, carelessness, abuse, misuse, misapplication, improper maintenance, or alteration of the Product, as well as chemical or natural corrosion, accident, fire, flood, an act of God, or any other casualty. Avoid abrasive cleaners, steel wools, and harsh chemicals as these will scratch, damage, and / or dull the product and / or finish and void this warranty. The owner/end-user of the Product covered by the present warranty is entirely responsible for its proper installation and any applicable plumbing or electrical wiring. VIGO neither installs nor supervises the installation nor hires a contractor for this purpose; consequently, VIGO cannot be held responsible for any default, breakage, or damages caused thereby or resulting thereof, either directly or indirectly.

The owner/end-user must provide access to the components of the Product as described in the installation guide so that VIGO can execute the warranty specified herein. If such access is not available, all expenses to provide said access will be the responsibility of the owner/end-user.

This warranty does not apply to Products that have not been installed or operated in accordance with instructions supplied by VIGO and all applicable rules, regulations, and legislation pertaining to such installations.

This warranty does not apply unless the VIGO Product is installed by fully insured licensed professionals. VIGO strongly recommends that such licensed professionals have experience in the installation of bathroom and kitchen products. Installation of certain products, including, without limitation, glass products (i.e., shower doors and glass sinks) by an inexperienced person may result in glass breakage and, consequently, cause personal injury or death.

VIGO is not liable for personal injuries or deaths to any persons or for any direct, special, incidental, or consequential damage, loss of time, loss of profits, inconvenience, incidental expenses, labor or material charges, or any other costs resulting from the use of the product or equipment or pertaining to the application of the present warranty, or resulting from the removal or replacement of any product or element or part covered by this warranty.

EXCEPT AS OTHERWISE PROVIDED ABOVE, VIGO MAKES NO WARRANTIES, EXPRESSED OR IMPLIED, INCLUDING WARRANTIES OF MERCHANTABILITY AND FITNESS FOR A PARTICULAR PURPOSE OR COMPLIANCE WITH ANY CODE.

In any case, VIGO cannot be held liable for any amount over and above the purchase price paid for the Product by the owner/end-user, contractor, or builder.

#### Commercial Limitations

In addition to the above conditions and limitations, the warranty period for products installed for commercial applications or used in commercial ventures is one (1) year from the initial date of purchase by the owner/end-user, contractor, or builder from an authorized dealer. VIGO is not responsible for loss of use or profit under any circumstances. If the product is used as a display, the warranty period begins when the product is placed on display. This warranty gives the owner/end-user specific legal rights. The owner/end-user may also have other rights which can vary from one state or province to another.

#### Warranty Service

In order to obtain service provided under this warranty during regular business hours, contact the dealer or distributor who sold the unit, or contact VIGO directly. VIGO will provide the warranty service described above when the following conditions have been met: the failure is of the nature or type covered by the warranty; the user has informed an authorized VIGO Agent or VIGO's warranty service department representative of the nature of the problem during the warranty period; conclusive evidence (e.g., proof of purchase or installation) is provided to the foregoing by the user proving that the failure occurred or was discovered within the warranty period; an authorized independent service person or company representative has been permitted to inspect the product during regular business hours within a reasonable time after the problem was reported by the user. VIGO's warranty obligation shall be discharged upon tender of replacement or repair. The customer's refusal to accept the tender terminates VIGO's warranty obligations.

\*Certain models are pending approval.

Certification may be ended by VIGO or certification agencies without notice.

## SPÉCIFICATIONS DE LA COLLECTION

# VIGO

ÉVIER SIMPLE Évier de cuisine en acier inoxydable encastré, grille et crépine

Modèle VGR3219CK1

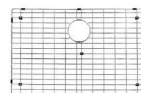
### CARACTÉRISTIQUES DU MODÈLE VGR3219CK1

#### CARACTÉRISTIQUES DE L'ÉVIER

- Acier inoxydable de calibre 16
- Contenant du nickel 304
- Angles à rayon de courbure de 15 mm
- Rainures du drain élégantes et fonctionnelles
- Fini satin résistant et facile à nettoyer
- Isolation sonore
- Placement du drain arrière

#### LISTE DES ARTICLES

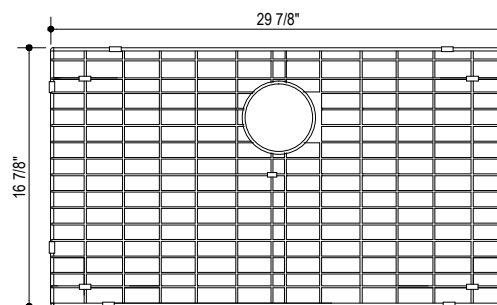
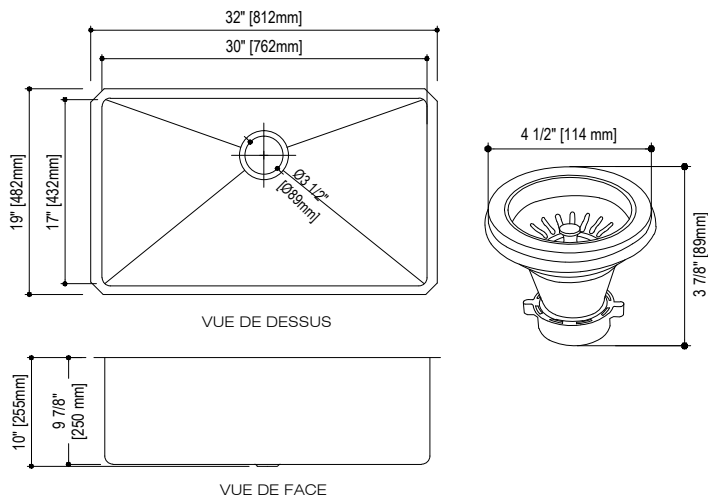
- Évier
- Gabarit de découpe
- Quincaillerie de montage
- Crépine
- Grille



### DIMENSIONS NOMINALES

| N° DE MODÈLE | TAILLE DE L'ÉVIER | PROFONDEUR DE L'ÉVIER | DIM. EXTÉRIEURE | JAUGE |
|--------------|-------------------|-----------------------|-----------------|-------|
| VGR3219C     | 30" X 17"         | 9 7/8"                | 32" X 19"       | 16    |
| N° DE MODÈLE | LARGEUR           | LONGUEUR              | HAUTEUR         |       |
| VGG2917      | 29 7/8"           | 16 7/8"               | 1"              |       |
| N° DE MODÈLE | DIAMÈTRE          | PROFONDEUR            |                 |       |
| VGSTRAINER   | 4 1/2"            | 3 5/8"                |                 |       |

REMARQUE: CES PUIXS SONT PRÉVUES POUR INDOOR UTILISATION DE CUISINE SEULEMENT. ILS NE SONT PAS ÉVALUÉ POUR L'EXTÉRIEUR. INSTALLATION DE CET ÉVIER DANS UN DÉCOR NATUREL ANNULE AUCUNE GARANTIE SUR CE PRODUIT.



Cette collection d'évier de cuisine (VGR3219CK1) comprend l'évier VGR3219C, la grille VGG2917 et la crépine VGSTRAINER. Dans le cas de retour, les 3 pièces doivent être renvoyées pour recevoir un crédit. Aucun crédit partiel ne sera accordé sur des kits incomplets reçus.

## Instructions relatives à l'installation des éviers encastrés

Avant de commencer :

Veillez lire attentivement les instructions.

Déballez les pièces et inspectez minutieusement l'évier. N'installez pas l'évier s'il est endommagé.

Conservez tous les emballages d'origine ainsi que les reçus.

Vérifiez et suivez tous les codes de plomberie en vigueur.

Recommandations générales :

Lisez attentivement les instructions relatives à l'installation et à la maintenance avant de procéder à l'installation.

Veillez à utiliser les outils adéquats et portez toujours des accessoires de protection personnelle pour votre sécurité

Soin sur le long terme

Les éviers en acier inoxydable Vigo sont faciles à entretenir et requièrent peu d'entretien. Pour de meilleurs résultats, rincez toujours l'évier avec un savon doux et essuyez-le après chaque utilisation. Régulièrement, frottez légèrement avec un chiffon doux dans le sens de la ligne du grain. Pour éviter que la surface de l'évier ne s'abîme ou présente des décolorations, n'utilisez jamais de la laine d'acier ou des tampons à récurer.

**Outils et matériels nécessaires :**

Ruban à mesurer  
Crayon (PAS d'encre)  
Adhésif en silicone  
Chiffons

Alcool dénaturé  
Protection pour les oreilles  
Protection pour les yeux  
Scie/Scie sauteuse


Attaches de fixation (fournies)



## Instructions relatives à l'installation

Veillez lire attentivement toutes les instructions avant de procéder à l'installation. Seul un fabricant de pierre professionnel est qualifié pour effectuer l'installation.

Remarque : Ces instructions concernent l'installation avec des comptoirs en matériaux composites ayant une surface solide. Vigo recommande de faire appel à des installateurs de comptoirs professionnels et n'est pas responsable des dommages causés au niveau du comptoir ou de l'évier lors de l'installation.

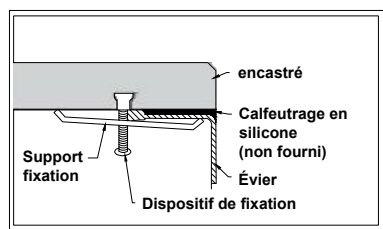
 Ne coupez pas l'ouverture de l'évier à l'aide d'une scie.

1. Déballez le nouvel évier et vérifiez les contenus des matériaux fournis : Évier, supports de montage, et gabarit de découpe (selon le modèle). Contactez votre détaillant si le produit est endommagé ou si une pièce est manquante avant de procéder à l'installation. N'installez jamais un évier endommagé car cela peut annuler votre garantie.

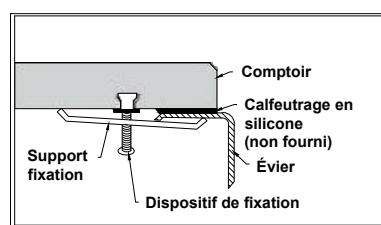
2. Le gabarit de découpe fourni offre deux options d'installation :

A. Montage encastré : Le bord de l'évier touche l'ouverture du comptoir. (FIGURE 1)

B. Montage avec rebord : Le bord de l'évier dépasse d'environ 1/4" du bord de l'ouverture du comptoir. (FIGURE 2)



**Figure 1**

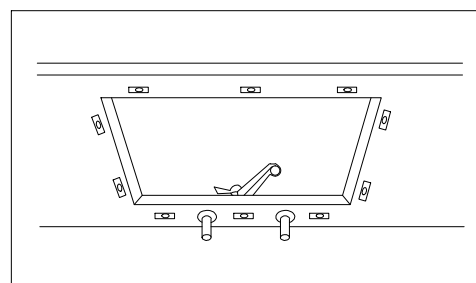


**Figure 2**

3. Découpez le gabarit approprié correspondant au modèle de votre évier et à l'option d'installation choisie. Placez le gabarit dans la position souhaitée sur le comptoir, en plaçant le centre de l'évier au-dessus des orifices de l'armoire et du robinet.

4. Tracez le pourtour du gabarit et découpez le comptoir en suivant l'intérieur de la ligne à l'aide des outils de découpe appropriés. Le gabarit sert uniquement de guide. Utilisez l'évier pour vous assurer que l'ouverture découpée est correcte.

5. Placez les trous de perçage sur le dessous du comptoir, à environ 1" du bord de l'évier à installer. Les trous doivent être espacés d'environ 6" à 8" en partant de chaque coin comme indiqué sur le schéma 3. Il est recommandé d'installer un robinet à ce moment avant d'installer l'évier.



**Figure 3**

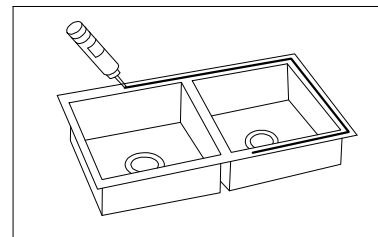
6. Fixez légèrement les supports de montage sur le comptoir de façon à ce qu'ils soient parallèles à l'ouverture découpée à l'aide des vis de montage et des écrous fournis. Les vis de montage avec inserts en laiton sont fournies avec l'évier. Cependant, le matériau du comptoir peut varier. Votre installateur ou votre fournisseur vous recommandera le type d'attaches à utiliser.

7. Nettoyez la bride de l'évier et le dessous de la zone découpée du comptoir, en veillant à ce que la zone soit lisse et sans graisse. Vous **DEVEZ** utiliser de la silicone pure pour cette installation. Appliquez une bande continue de calfeutrage en silicone sur le dessus de la bride de l'évier. (FIGURE 4) N'effectuez **JAMAIS** cette procédure à l'extérieur et en plein soleil. Si vous procédez à l'installation alors qu'il fait extrêmement chaud et sec, le calfeutrage du cadre de l'évier doit être fait par deux personnes en même temps.

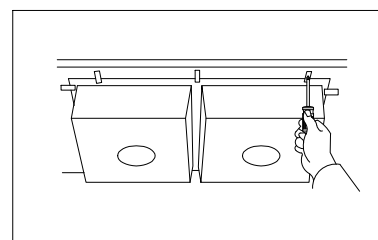
8. Positionnez et alignez l'évier sur l'ouverture du comptoir et appuyez dessus pour l'enfoncer dans le comptoir. Tournez l'extrémité courbée du support de montage pour qu'elle s'adapte au bord de l'évier.

9. Vérifiez à nouveau l'alignement de l'évier et serrez les dispositifs de fixation pour fixer l'évier. (FIGURE 5)

10. Essuyez l'excédent de calfeutrage en silicone à l'aide d'un chiffon humide. Raccordez le drain et les conduites d'arrivée d'eau conformément aux instructions du fabricant.



**Figure 4**



**Figure 5**

## Entretien

### TOUJOURS

- ° Nettoyez tous les jours l'évier en le rinçant minutieusement avec du savon doux et de l'eau chaude et essuyez-le bien.
- ° Régulièrement, frottez légèrement avec un chiffon doux dans le sens des lignes du grain pour un nettoyage préventif supplémentaire.
- ° Veillez à ce qu'il ne reste pas d'eau stagnante dans votre évier car cela peut entraîner une accumulation de dépôts de calcaire pouvant affecter l'apparence de votre évier.
- ° Les taches tenaces doivent être enlevées en frottant dans le sens du grain avec un produit abrasif doux (Comet, par exemple).
- ° Rincez toujours l'évier après avoir utilisé un produit de nettoyage et essuyez-le bien. Nettoyez les accumulations de calcaire qui se forment avec le temps à l'aide d'une solution douce composée de vinaigre et d'eau, puis rincez minutieusement avec de l'eau.
- ° Enlevez les rayures à l'aide d'une éponge Scotch-Brite et d'un agent nettoyant en frottant dans le sens du grain.

**NON RECOMMANDÉ POUR UN FINI ARGENTÉ.**

### JAMAIS

- ° Laissez des taches d'eau, des casseroles ou des ustensiles en acier dans l'évier pendant une période prolongée. Les particules de fer développent souvent des points de rouille sur les surfaces en acier inoxydable.
- ° Utilisez une laine d'acier ou un tampon à récurer car cela endommage la surface de l'évier et entraîne une décoloration.
- ° Laissez des produits de nettoyage ou des agents blanchissants dans votre évier pendant une période prolongée car cela peut abîmer le fini de votre évier.
- ° Laissez des tapis en caoutchouc, des éponges ou des tampons de nettoyage dans votre évier pendant une période prolongée car cela peut abîmer le fini de votre évier.
- ° Utilisez des produits nettoyants pour drain contenant de l'acide sulfurique ou de l'acide chlorhydrique car cela attaquera l'évier. Les nettoyants pour argent contiennent des acides qui endommageront la surface de l'évier.
- ° Utilisez l'intérieur de l'évier comme surface pour découper.

EN VIGUEUR LE 1ER JANVIER 2010

VIGO accorde la garantie limitée suivante sur chacun de ses éviers de cuisine\* (le « produit ») et leurs composants. Cette garantie ne s'applique qu'au premier acheteur ou utilisateur final en vue d'un usage personnel domestique. D'autres limitations s'appliquent en cas d'usage commercial.

Sous réserve de conditions normales d'utilisation et d'entretien, VIGO garantit le produit contre tout vice matériel ou de fabrication et ce, pendant toute la vie du premier propriétaire ou utilisateur final et à partir de la date du premier achat du produit à VIGO ou à un détaillant autorisé de VIGO, par le propriétaire ou l'utilisateur final, l'entrepreneur ou le constructeur.

Sous réserve de la disposition ci-dessous concernant le service de garantie, tout produit déclaré défectueux auprès d'un détaillant agréé ou de VIGO au cours de la période de garantie sera réparé ou remplacé (par un produit de valeur équivalente) au choix de VIGO. Cette garantie s'applique au premier propriétaire ou utilisateur final et n'est pas transférable à un propriétaire ultérieur.

Aucun distributeur, détaillant agréé de VIGO ou autre tiers n'a reçu l'autorisation de faire des affirmations ou des représentations ou encore de donner des garanties autres que celles contenues dans la présente garantie. Aucune affirmation, représentation ou garantie autre que celles contenues dans la présente garantie n'est opposable à VIGO ou à un tiers.

VIGO se réserve le droit de modifier la présente garantie à tout moment, étant entendu que lesdites modifications ne peuvent changer les autres dispositions applicables au moment de la vente des produits visés.

**Limitations**

Cette garantie ne s'applique pas en cas de procédures d'utilisation incorrectes, de bris ou de dégâts découlant d'une faute due à une mauvaise installation, à la négligence, à une utilisation abusive, à une utilisation non autorisée, à un mauvais entretien ou à la modification du produit, ainsi qu'à une corrosion chimique ou naturelle, à un accident, à un incendie, à une inondation, à une catastrophe naturelle ou à tout autre sinistre. Les nettoyeurs abrasifs, la laine d'acier et les produits chimiques puissants peuvent érafler, endommager ou ternir le produit et/ou le fini et entraîner l'annulation de la présente garantie. Le propriétaire/l'utilisateur final du produit couvert par la présente garantie est entièrement responsable de sa bonne installation et des travaux de plomberie et de câblage électrique. VIGO n'installe pas le produit, ne supervise pas l'installation ni n'engage un entrepreneur à cette fin. Par conséquent, VIGO ne peut être tenue responsable des défauts, des bris ou des dégâts causés par l'installation ou en découlant, que ce soit directement ou indirectement.

Le propriétaire utilisateur final doit prévoir un accès aux composants du produit conformément aux explications du guide d'installation, afin que VIGO puisse exécuter les obligations stipulées aux présentes. En l'absence dudit accès, toutes les dépenses engagées pour le ménage seront à la charge du propriétaire utilisateur final.

La présente garantie ne s'applique pas aux produits qui n'ont pas été installés ou utilisés conformément aux consignes fournies par VIGO et à l'ensemble des règlements et des lois qui régissent ladite installation.

La présente garantie ne s'applique que si le produit VIGO est installé par des professionnels accrédités et entièrement assurés. VIGO recommande vivement de choisir des professionnels accrédités possédant de l'expérience dans l'installation de produits pour salles de bains et cuisines. Des personnes non expérimentées dans l'installation de certains produits, y compris sans toutefois s'y limiter, les produits en verre (portes de douches et lavabos en verre) sont susceptibles de les briser et, par conséquent, de provoquer des blessures, voire la mort.

VIGO n'est en aucun cas responsable des blessures, des décès ou des dommages directs, spéciaux, consécutifs ou indirects; de la perte de temps; de la perte de profits; des inconvénients; des frais accessoires, des coûts de main-d'œuvre ou de matériaux et de tout autre coût découlant de l'utilisation du produit ou de l'équipement ou en lien avec l'exécution de la présente garantie, ou encore découlant de la dépose ou du remplacement d'un produit, d'une pièce ou d'un élément couvert par la présente garantie.

SAUF DISPOSITION CONTRAIRE CI-DESSUS, VIGO NE FAIT AUCUNE GARANTIE, EXPRESSE OU IMPLICITE, Y COMPRIS DE VALEUR MARCHANDE, D'ADAPTATION À UN USAGE PARTICULIER OU DE CONFORMITÉ À UN CODE.

En aucun cas, VIGO ne peut être tenue responsable de tout montant supérieur au prix d'achat du produit déboursé par le propriétaire/l'utilisateur final, l'entrepreneur ou le constructeur.

**Limitations commerciales**

Outre les conditions et limitations ci-dessus, la période de garantie des produits installés dans un but commercial ou employés dans des commerces est de un (1) an à partir de la date du premier achat du produit par le propriétaire utilisateur final, l'entrepreneur ou le constructeur. En aucun cas, VIGO ne peut être tenue responsable des pertes de jouissance ou de profits. Si le produit est exposé, la période de garantie commence au moment où il est mis en exposition. La présente garantie confère au propriétaire utilisateur final des droits légaux auxquels peuvent s'ajouter d'autres droits selon l'état ou la province.

**Service de garantie**

Pour obtenir un service en vertu de la présente garantie pendant les heures normales d'ouverture, communiquez avec le détaillant ou le distributeur qui a vendu l'article, ou contactez directement VIGO. Si les conditions suivantes sont réunies, VIGO fournira le service de garantie décrit plus haut : la nature ou le type du problème est couvert par la garantie; l'utilisateur a informé un représentant autorisé de VIGO ou du service de garantie de VIGO de la nature du problème pendant la période de garantie; l'utilisateur a présenté aux personnes précitées des preuves concluantes (p. ex., preuve d'achat ou d'installation) indiquant que le problème est survenu ou a été découvert pendant la période de garantie; le représentant d'une personne ou une société de service agréée indépendante a pu inspecter le produit pendant les heures d'ouverture normales dans un délai raisonnable après le report du problème par l'utilisateur. Les obligations de VIGO au titre de la garantie seront exécutées lors de la proposition de remplacement ou de réparation. Le refus de ladite proposition par le client met fin aux obligations de VIGO au titre de la garantie.

\*Certains modèles sont en attente d'approbation.

VIGO et les organismes de certification peuvent résilier les certificats sans préavis.

## ESPECIFICACIONES DEL JUEGO

# VIGO

### Tazón único fregadero de acero inoxidable empotrado, rejilla y colador Modelo VGR3219CK1

#### MODELO DESTACADO VGR3219CK1

#### CARACTERÍSTICAS DEL FREGADERO

- 16 de ancho, acero inoxidable
- Con contenido de níquel 304
- Esquinas de radio de 15 mm
- Ranuras de desagüe elegantes y funcionales
- Duradero, fácil de limpiar, con acabado satinado
- Aislamiento insonorizante
- Ubicación trasera del desagüe

#### CONTENIDOS DEL PAQUETE

- Fregadero
- Plantilla de corte
- Ferrería para montarlo
- Colador
- Rejilla



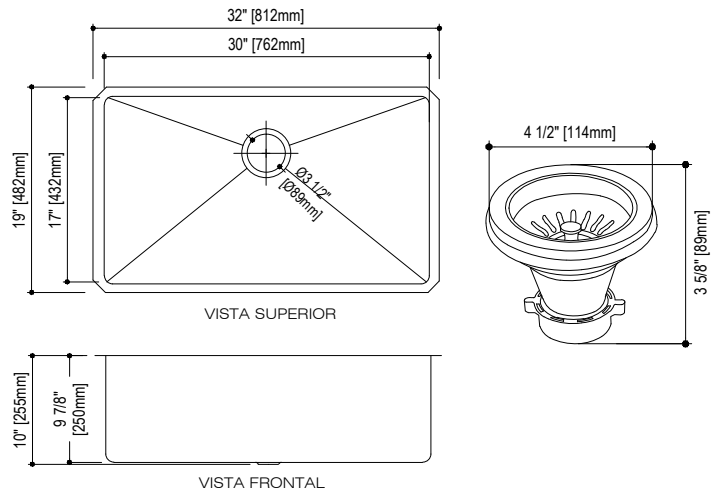
#### DIMENSIONES NOMINALES

| MODELO NRO. | TAMAÑO DE TAZÓN | PROFUNDIDAD DEL FREGADERO | DIM. EXTERIOR | ANCHO |
|-------------|-----------------|---------------------------|---------------|-------|
| VGR3219C    | 30" X 17"       | 9 7/8"                    | 32" X 19"     | 16    |

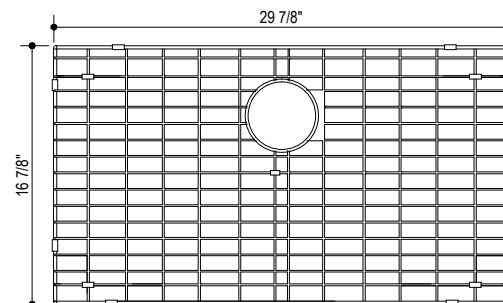
| MODELO NRO. | ANCHO   | LARGO   | ALTURA |
|-------------|---------|---------|--------|
| VGG2917     | 29 7/8" | 16 7/8" | 1"     |

| MODELO NRO. | DIÁMETRO | PROFUNDIDAD |
|-------------|----------|-------------|
| VGSTRAINER  | 4 1/2"   | 3 5/8"      |

NOTA: ESTOS SUMIDEROS ESTÁN DESTINADOS PARA USO DE COCINA EN INTERIORES. NO SON PARA USO EN EXTERIORES. INSTALACIÓN DE ESTE FREGADERO EN UN ESCENARIO AL AIRE LIBRE ANULARÁ CUALQUIER GARANTÍA DE ESTE PRODUCTO.



El juego de fregadero (VGR3219CK1) viene con el fregadero VGR3219C, la rejilla VGG2917 y el colador VGSTRAINER. A los fines de su devolución, deben devolverse las tres piezas para recibir crédito. No se otorgará crédito parcial por juegos que se reciban incompletos.



## Instrucciones de instalación para fregaderos empotrados

Antes de comenzar:

Lea con detenimiento estas instrucciones.

Desempaque e inspeccione con cuidado el fregadero. Si está dañado, no lo instale. Guarde la caja original y los recibos. Repase y siga todos los códigos locales de plomería.

Recomendaciones generales:

Lea por completo las instrucciones de instalación y mantenimiento antes de instalarlo. Asegúrese de utilizar las herramientas adecuadas y usar siempre accesorios de seguridad personal para protegerse.

Cuidado de por vida

Es fácil mantener el aspecto nuevo de los fregaderos de acero inoxidable Vigo durante más tiempo con cuidados mínimos. Para lograr mejores resultados, enjuáguelo siempre con jabón suave y pásele un trapo después de cada uso. Con regularidad, frótelo ligeramente con un trapo suave en la dirección del grano. Para evitar que la superficie del fregadero se dañe o se decolore, nunca utilice lana de acero o trapos abrasivos.

### **Herramientas y Materiales necesarios:**

Cinta métrica

Lápiz (NO tinta)

Sellador adhesivo de silicona

Trapos

Alcohol Desnaturalizado

Protección para los oídos


Gafas protectoras

Sierra para metales/sierra de vaivén

Bornes de fijación (incluidos)

## Instrucciones de Instalación

Sírvase leer con detenimiento todas las instrucciones antes de comenzar con la instalación. Sólo los albañiles profesionales y especializados en piedra están calificados para llevar a cabo esta instalación. Nota: estas instrucciones son para la instalación en encimeras de superficie sólida y material compuesto. Vigo recomienda delegar el trabajo a instaladores profesionales de encimeras y no se hace responsable por los daños que puedan sufrir la encimera o el fregadero durante la instalación.

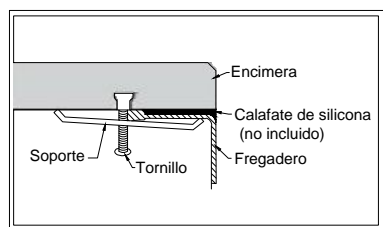
 No corte la abertura del fregadero con un método de corte con sierra tradicional.

1. Desempaque el nuevo fregadero y revise el contenido de los materiales suministrados: fregadero, soportes y plantilla de corte (según el modelo). Si algún producto está dañado o falta antes de la instalación, llame a su distribuidor. Nunca instale fregaderos dañados pues eso podría anular su garantía.

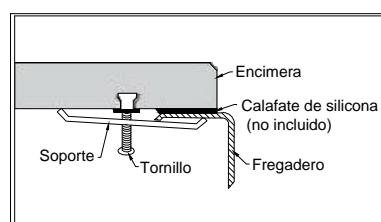
2. La plantilla de corte incluida da dos opciones de instalación:

A. Montaje embutido: el borde del fregadero está embutido en la abertura de la encimera. (FIGURA 1)

B. Montaje expuesto: el borde del fregadero queda expuesto alrededor 1/4" desde el borde de la apertura de la encimera. (FIGURA 2)



**Figura 1**

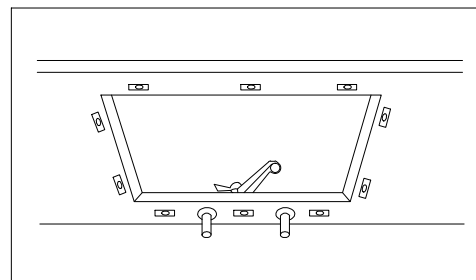


**Figura 2**

3. Corte la plantilla apropiada para su modelo de fregadero y la opción de instalación deseada. Coloque la plantilla en la posición deseada sobre la encimera y ubique el centro del tazón sobre el gabinete y los orificios del grifo.

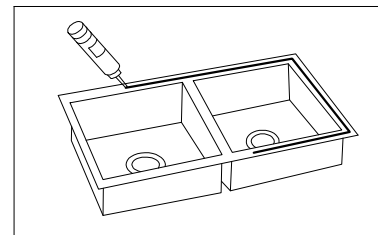
4. Con las herramientas de corte apropiadas, marque el contorno de la plantilla y corte la encimera por el interior de la línea. La plantilla sólo sirve como guía. Utilice el fregadero real para asegurarse de que la apertura del corte sea precisa.

5. Ubique los orificios de taladrado en la parte inferior de la encimera, a alrededor de 1" del borde del fregadero que va a instalar. Los orificios deberían tener una separación uniforme de alrededor de 6" a 8" desde cada una de las esquinas, como se muestra en la Figura 3. Se recomienda instalar un grifo en este momento, antes de instalar el fregadero.



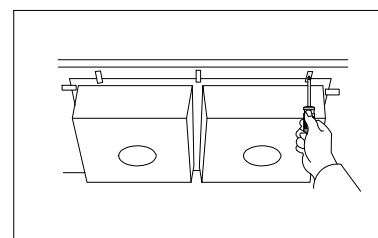
**Figura 3**

6. Con los tornillos y las tuercas de montaje incluidos, coloque sin ajustar los soportes en la encimera, en paralelo a la apertura del corte. El fregadero viene con tornillos de montaje con injertos de bronce. No obstante, el material de la encimera varía y su instalador o proveedor deben recomendarle el tipo de tornillos correcto.



**Figura 4**

7. Limpie el reborde del fregadero y la parte inferior del área de apertura de la encimera y asegúrese de que esté lisa y sin grasa. DEBE utilizar para esta instalación silicona al 100 %. Aplique un reborde continuo de calafate de silicona de manera pareja sobre la parte superior del reborde del fregadero. (FIGURA 4) NUNCA lleve a cabo este procedimiento al aire libre y bajo la luz del sol. Si se lo lleva a cabo en un clima en extremo caluroso y seco, el calafateado del encofrado del fregadero deberían realizarlo dos personas al mismo tiempo.



**Figura 5**

8. Coloque y alinee el fregadero sobre la apertura de la encimera y presiónelo contra ella. Gire el extremo doblado del soporte para ajustarlo sobre el borde del fregadero.

9. Revise que el fregadero esté alineado de nuevo y ajuste los tornillos para fijarlo. (FIGURA 5)

10. Quite con un trapo húmedo el calafate de silicona sobrante. Conecte el desagüe y el suministro de agua según las instrucciones del fabricante.



## Cuidado y Mantenimiento

### SIEMPRE

- Enjuáguelo a diario con jabón suave y agua tibia y séquelo con un trapo.
- Con regularidad, frótelo ligeramente con un trapo suave en la dirección de las líneas de grano para una mayor limpieza preventiva.
- Evite que quede agua estancada en el fregadero pues podría provocar una acumulación de depósitos minerales que pueden afectar su aspecto.
- Para eliminar las manchas difíciles, fríéguelo en la dirección del grano con un abrasivo suave como Comet.
- Siempre enjuáguelo después de utilizar cualquier agente limpiador y séquelo con un trapo. Con una solución suave de vinagre y agua, limpie todos los depósitos minerales acumulados con el tiempo y después enjuáguelo con agua.
- Quite los rayones con un trapo Scotch-brite y un agente limpiador. Frote en la dirección del grano. **NO SE RECOMIENDA HACERLO EN ACABADOS BRILLANTES.**

### NUNCA

- Deje manchas de agua, batería de cocina de acero o utensilios en el fregadero durante largos períodos de tiempo. Las partículas de hierro suelen provocar manchas de óxido en la superficie de acero inoxidable.
- Utilice lana de acero o trapos abrasivos pues dañan la superficie del fregadero y producen decoloración.
- Deje agentes de limpieza domésticos o lejía en su fregadero durante un período de tiempo demasiado largo pues puede arruinar el acabado.
- Deje trapos de goma, esponjas o almohadillas de limpieza en su fregadero durante un período de tiempo demasiado largo pues pueden arruinar el acabado.
- Utilice ningún producto de limpieza de desagües que contenga ácido sulfúrico o ácido hidroc্লórico dado que atacan el fregadero. Los limpiadores de plata también pueden contener ácidos que dañan la superficie del fregadero.
- Utilice el lado interior del fregadero como superficie de corte.

EN VIGENCIA DESDE EL 1° DE ENERO DE 2010

VIGO ofrece la siguiente garantía limitada por todos sus productos de fregadero\* (el "Producto"). La presente garantía sólo rige para el propietario o usuario final originales y por el uso personal doméstico. En el caso de usos comerciales, rigen otras limitaciones.

VIGO garantiza que el Producto carecerá de defectos de mano de obra y materiales en condiciones normales de uso y servicio durante un período que comienza en la fecha de compra inicial por parte del propietario/ usuario final, contratista o constructor a VIGO o a un distribuidor autorizado de VIGO y durante toda la vida del propietario o usuario final originales.

Teniendo en cuenta las condiciones de reparación cubierta por la garantía indicadas más abajo, todos los productos que sean objeto de reclamo ante un distribuidor autorizado o ante VIGO por ser defectuosos dentro del período de garantía se repararán o reemplazarán (por un producto de valor equivalente) a discreción de VIGO. La presente garantía rige para el propietario o usuario final originales y no es transferible a propietarios posteriores.

Ni el mayorista, ni el distribuidor autorizado de VIGO ni otras personas tienen autorización para hacer afirmación o declaración algunas u ofrecer garantía alguna que no estén contenidas en la presente garantía. Cualquier afirmación, declaración o garantía no contenidas en la presente no podrán hacerse valer ante VIGO o ante otras personas.

VIGO se reserva el derecho de modificar la presente garantía en cualquier momento y se entiende que dichas modificaciones no alterarán las condiciones de la garantía aplicables en el momento de la venta de los productos en cuestión.

#### Limitaciones

La presente garantía no regirá en casos de procedimientos incorrectos, rupturas o daños provocados por fallos debidos a instalación inadecuada, falta de cuidado, abuso, mal uso, uso indebido, mantenimiento inadecuado o alteración del Producto así como por corrosión química o natural, accidentes, incendios, inundaciones, fuerza mayor o alguna otra casualidad. Evite usar limpiadores abrasivos, lanas de acero y productos químicos fuertes dado que rayan, dañan u opacan el producto o el acabado y anulan la garantía. El propietario/usuario final del Producto cubierto por la presente garantía es por completo responsable por la instalación adecuada y toda la plomería o el cableado eléctrico necesarios. VIGO no instala ni supervisa la instalación ni subcontrata con dicho fin a contratista alguno. Por ende, no puede considerársela responsable por cualquier defecto, ruptura o daño provocado por la instalación o que resulte de ella, tanto de manera directa como de manera indirecta.

El propietario/usuario final debe brindar acceso a los componentes del Producto tal como se describe en la guía de instalación de manera que VIGO pueda cumplir con la garantía especificada en la presente. En caso de no contar con dicho acceso, todos los gastos para proporcionarlo serán responsabilidad del propietario/usuario final.

La presente garantía no rige para Productos que no se hayan instalado o utilizado según las instrucciones suministradas por VIGO y todas las reglas, normas y legislación aplicables sobre dichas instalaciones.

La presente garantía no tiene vigencia a menos que sean profesionales con licencia y seguro completos quienes instalen el Producto de VIGO. VIGO recomienda con especial énfasis que dichos profesionales licenciados cuenten con experiencia en la instalación de productos de baño y cocina. La instalación de ciertos productos, incluidos, entre otros, productos de vidrio (es decir, puertas de duchas y lavabos de vidrio) por parte de personas sin experiencia puede provocar ruptura del vidrio y, por ende, lesiones personales o la muerte.

VIGO no se hace responsable por lesiones personales o muerte de persona alguna o por daños directos, especiales, accidentales o resultantes, pérdida de tiempo, pérdida de ganancias, inconvenientes, gastos accidentales, honorarios por mano de obra, gastos en materiales o demás costos que sean consecuencia del uso del producto o del equipo o relacionados con la aplicación de la presente garantía o provocados por la extracción o el cambio de algún producto o elemento o pieza cubiertos por la presente garantía.

**CON EXCEPCIÓN DE LO ESTIPULADO MÁS ARRIBA, VIGO NO OFRECE GARANTÍA ALGUNA, EXPRESA O IMPLÍCITA, INCLUIDAS GARANTÍAS DE COMERCIALIZACIÓN Y ADECUACIÓN A UN USO PARTICULAR O CUMPLIMIENTO CON CÓDIGO ALGUNO.**

En ningún caso puede considerarse a VIGO responsable por monto alguno superior al precio de compra que el propietario/usuario final, contratista o constructor abonaran por el Producto.

#### Limitaciones comerciales

Además de las condiciones y limitaciones precedentes, el período de garantía de los productos instalados para aplicaciones comerciales o utilizados en locales comerciales es de un (1) año desde la fecha de compra inicial por parte del propietario/usuario final, contratista o constructor a un distribuidor autorizado. VIGO no se hace responsable por pérdidas funcionales o de ganancias bajo ninguna circunstancia. Si el producto se utiliza para su exhibición, el período de garantía comienza cuando el producto se pone en exhibición. La presente garantía otorga al propietario/usuario final derechos legales específicos. El propietario/usuario final también puede tener otros derechos que pueden variar según el estado o la provincia.

#### Reparación cubierta por la garantía

Para obtener la reparación contemplada por la presente garantía durante el horario comercial regular, comuníquese con el distribuidor o el mayorista que le vendió la unidad o directamente con VIGO. VIGO proporcionará la reparación cubierta por la garantía que se describe más arriba cuando se cumpla con las siguientes condiciones: cuando el fallo sea de la naturaleza o el tipo cubiertos por la garantía; cuando el usuario haya informado a un agente autorizado de VIGO o a un representante del departamento de reparaciones cubiertas por la garantía de VIGO sobre la naturaleza del problema durante el período de garantía; cuando el usuario proporcione pruebas concluyentes (por ejemplo, comprobante de compra o instalación) de lo precedente donde se muestre que el fallo se produjo o se descubrió dentro del período de garantía; cuando se haya permitido a una persona o a una empresa independientes y autorizadas que brinden servicios de reparación inspeccionar el producto durante el horario comercial regular dentro de un tiempo razonable después de que el usuario haya comunicado el problema. La obligación de garantía de VIGO quedará terminada en el momento de la propuesta de cambio o reparación. Si el cliente se rehúsa a aceptar la propuesta, las obligaciones de garantía de VIGO no tendrán más vigencia.

\*La aprobación de ciertos modelos está pendiente.

VIGO o las agencias de certificación pueden dar por finalizada la certificación sin previo aviso.