

MODELS



MODEL VG06029

MODEL VG06021*



MODEL VG06068

MODEL VG06061/MODEL VG06062/MODEL VG06063*



MODEL VG06039

MODEL VG06031*



MODEL VG06069

MODEL VG06061/MODEL VG06062/MODEL VG06063*



Right Drain Configuration

MODEL VG06019

MODEL VG06011/MODEL VG06051*



Left Drain Configuration

MODEL VG06019

MODEL VG06011/MODEL VG06051*



Right Drain Configuration

MODEL VG06019

MODEL VG06011/MODEL VG06051*



Left Drain Configuration

MODEL VG06019

MODEL VG06011/MODEL VG06051*



MODEL VG06049

MODEL VG06041/MODEL VG06042*

* Corresponding Vigo Brand shower enclosure / shower door that goes with the Vigo Brand shower base depicted.

TABLE OF CONTENTS

Models.....1

Table of contents.....2

Models, Notes to installer, Inspection guidelines.....3

Dimensions.....4
 MODEL VG06029XXX36
 MODEL VG06029XXX40

Dimensions.....5
 MODEL VG06039XXX36
 MODEL VG06039XXX40

Dimensions.....6
 MODEL VG06049XXX4832C
 MODEL VG06049XXX4836C
 MODEL VG06049XXX6030C
 MODEL VG06049XXX6032C
 MODEL VG06049XXX6036C

Dimensions.....7
 MODEL VG06068XXX3636
 MODEL VG06068XXX3838
 MODEL VG06068XXX4040
 MODEL VG06068XXX4242
 MODEL VG06068XXX4747

Dimensions.....8
 MODEL VG06019XXX3232
 MODEL VG06019XXX3240
 MODEL VG06019XXX3248
 MODEL VG06019XXX3636
 MODEL VG06019XXX3648

Dimensions.....9
 MODEL VG06069XXX36
 MODEL VG06069XXX38
 MODEL VG06069XXX40
 MODEL VG06069XXX42
 MODEL VG06069XXX47

Diagrams of proper underlayment and a typical installation.....10

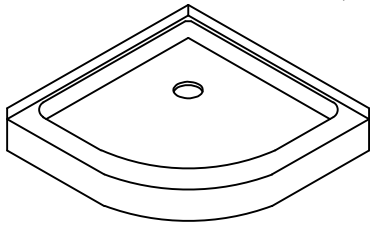
Shower base installation instructions.....11

Shower base installation instructions.....12

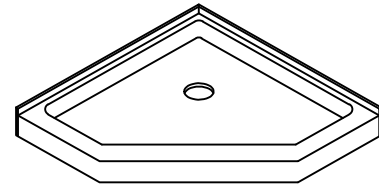
Trouble shooting, care and maintenance.....13

Shower base limited warranty.....14

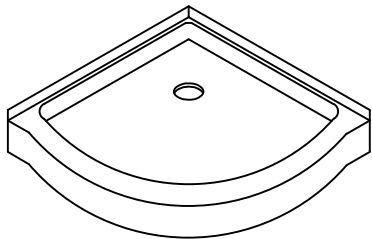
MODELS, NOTES TO INSTALLER, INSPECTION GUIDELINES



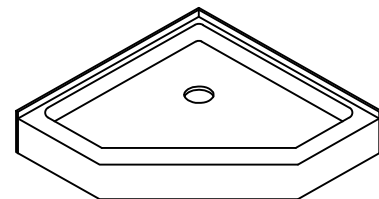
MODEL VG06029



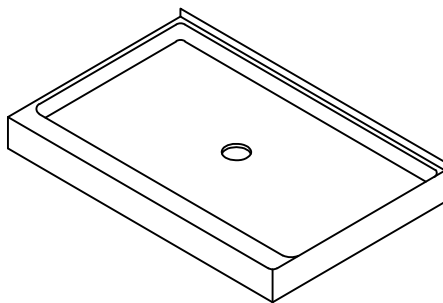
MODEL VG06068



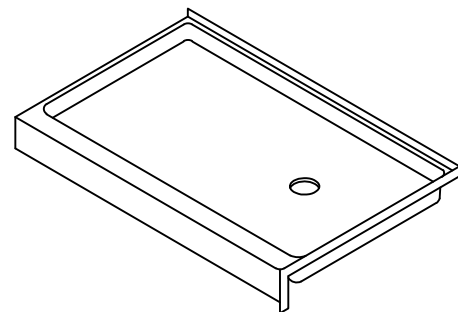
MODEL VG06039



MODEL VG06069



MODEL VG06049



MODEL VG06019

Thank you for purchasing the Vigo brand shower base. For the best results, please read and follow all directions carefully.

Vigo recommends that shown parts are installed by a qualified and trained professional.

PRE-INSTALLATION PLANNING

Do not store the base out doors. It is important to keep out of direct sunlight and exposure from the elements.

A careful review of these procedures before starting is important in avoiding unnecessary problems resulting in an improper installation which could cause significant damage.

NOTE: All drawings in this are representative of the individual base, and may appear different than the actual base being installed. In addition, items necessary for installation may be shown in the instructions. These will need to be purchased separately.

Special Notes to Installer

- It is the sole responsibility of the installer to determine, prior to the installation, the requirements necessary for compliance with all building codes local or otherwise, involving the base or the installation.
- All paperwork packaged with the base and any associated options or accessories should be saved and presented to the homeowner upon completion of the installation.
- All published base dimensions are for reference only. Any critical dimensions required for installation should be taken directly from the base being installed.
- Any alterations made to the base beyond those set forth with said installation can void all warranties. (Refer to *shower base limited warranty section* for further information.)


Inspection Guidelines

A careful check of the base should be conducted upon receipt. Notify your supplier immediately if any questions or problems are encountered during this process.

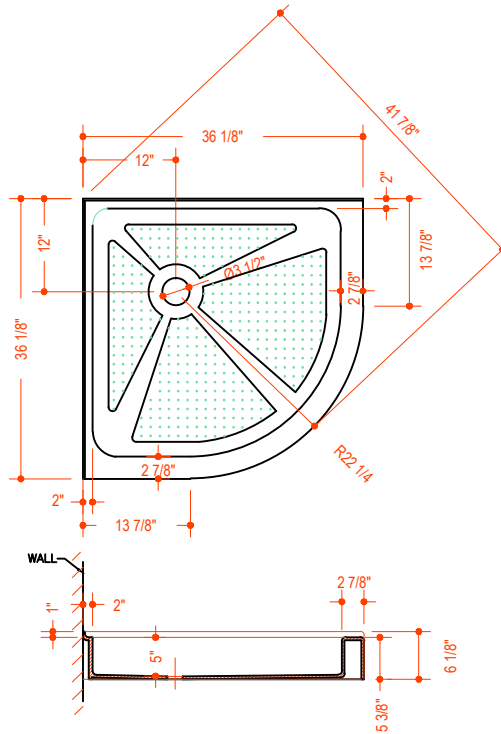
DO NOT INSTALL ANY BASE WITHOUT FIRST ADDRESSING QUESTIONS WHICH ARISE DURING THE INSPECTION

Basic Module Check

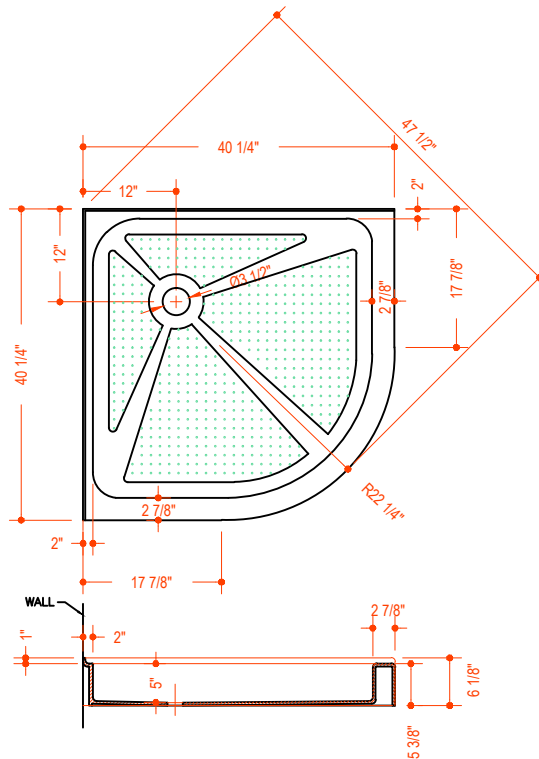
- Check that the base drain matches the bathroom drain location.
- Check for surface damage to the base.
- Verify base color is acceptable.

 = Important note and should be treated as such

DIMENSIONS OF MODEL VG06029

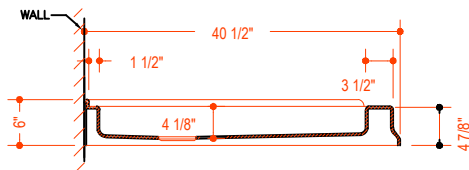
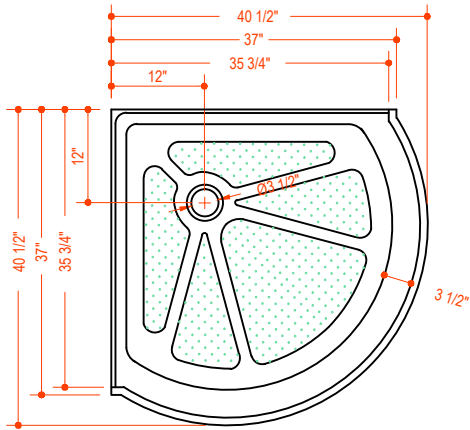


MODEL VG06029XXX36

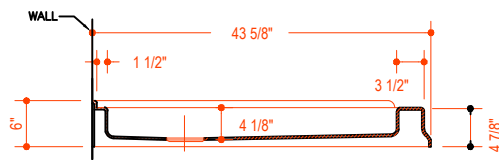
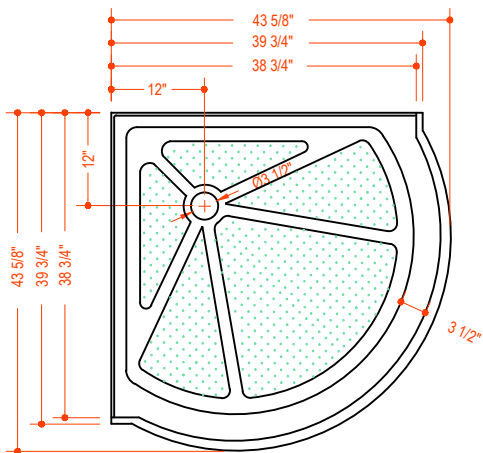


MODEL VG06029XXX40

DIMENSIONS OF MODEL VG06039

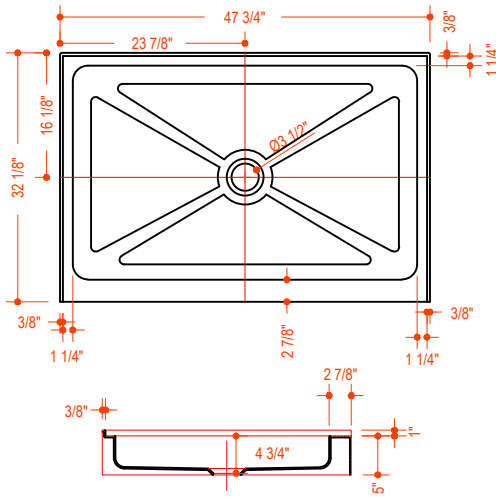


MODEL VG06039XXX36

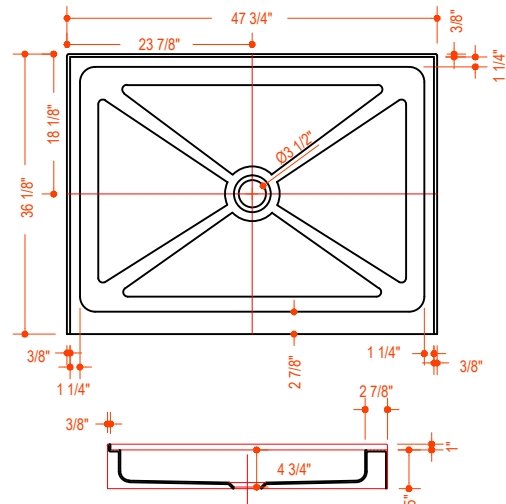


MODEL VG06039XXX40

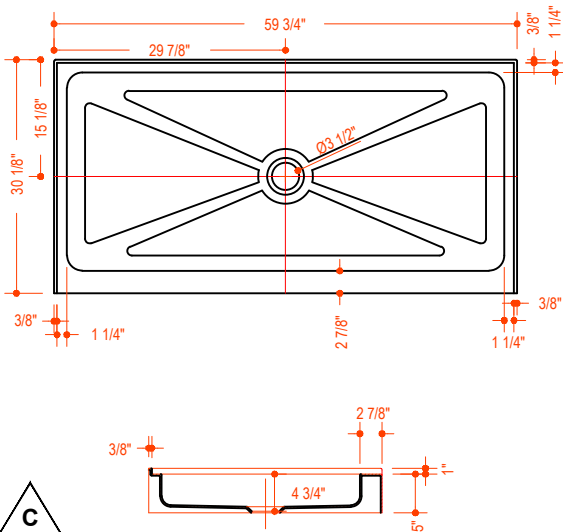
DIMENSIONS OF MODEL VG06049



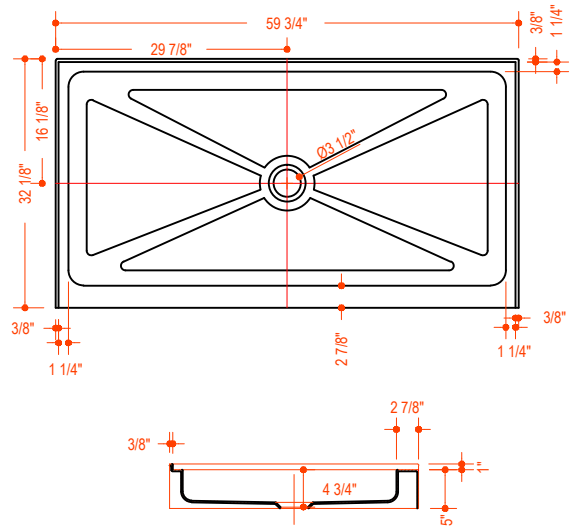
MODEL VG06049XXX4832C



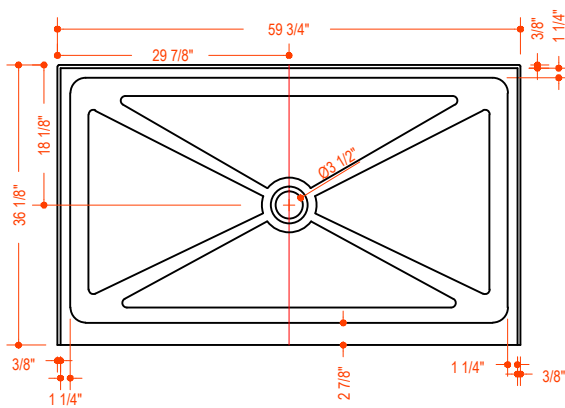
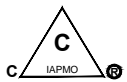
MODEL VG06049XXX4836C



MODEL VG06049XXX6030C

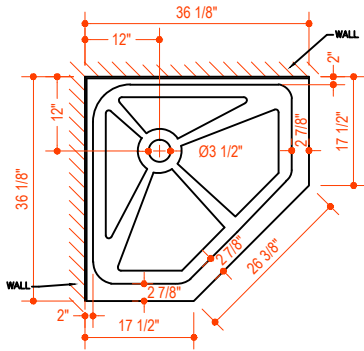


MODEL VG06049XXX6032C

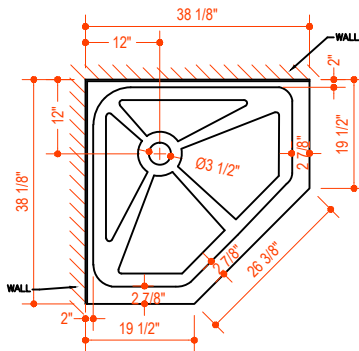


MODEL VG06049XXX6036C

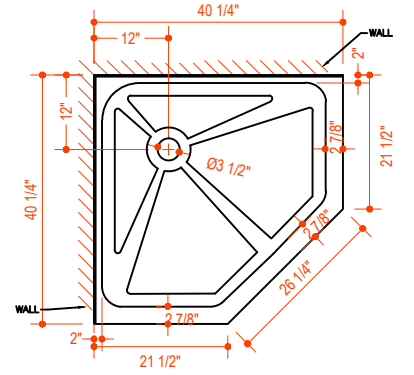
DIMENSIONS OF MODEL VG06068



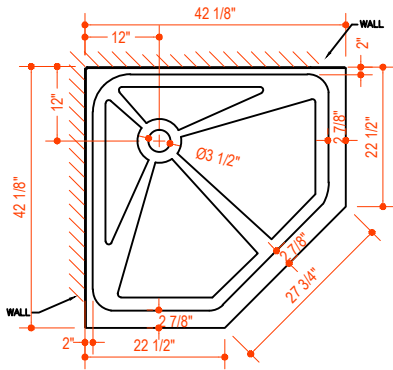
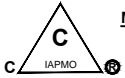
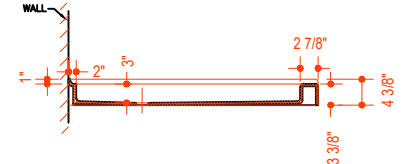
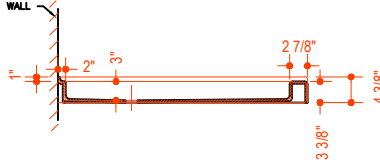
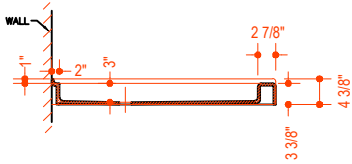
MODEL VG06068XXX3636



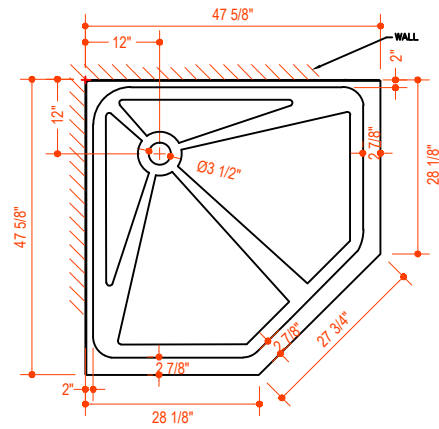
MODEL VG06068XXX3838



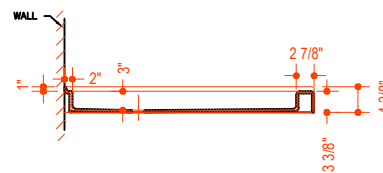
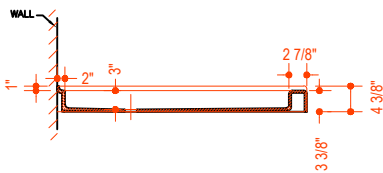
MODEL VG06068XXX4040



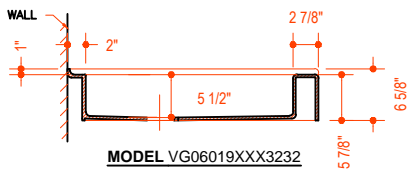
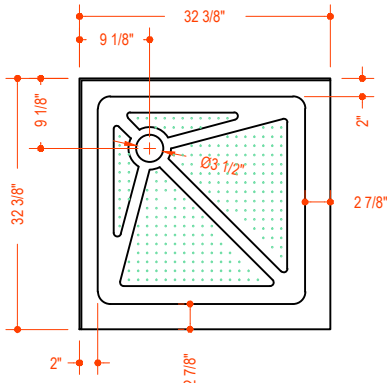
MODEL VG06068XXX4242



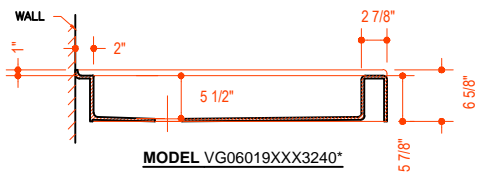
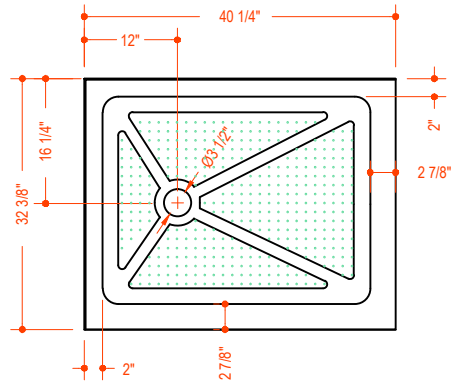
MODEL VG06068XXX4747



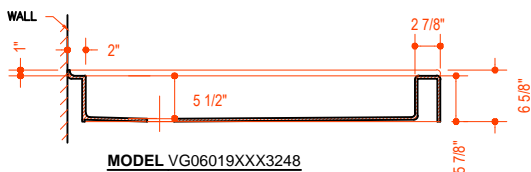
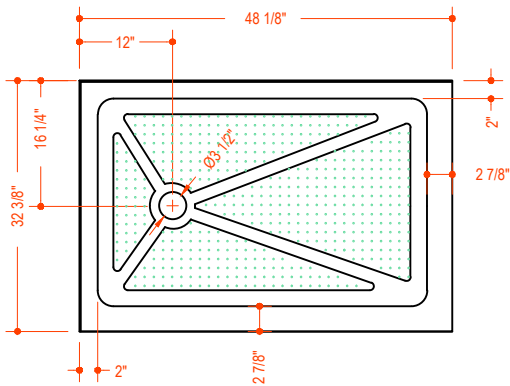
DIMENSIONS OF MODEL VG06019



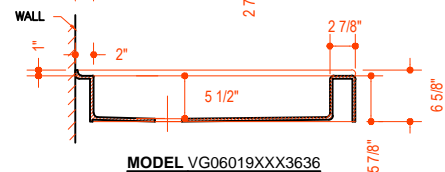
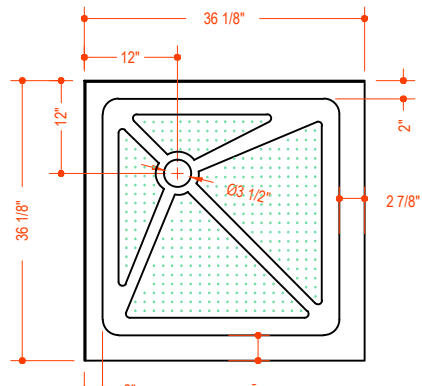
MODEL VG06019XXX3232



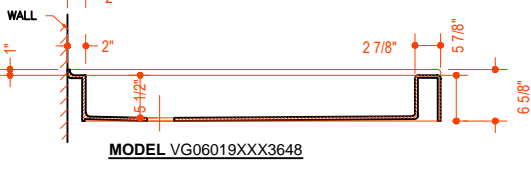
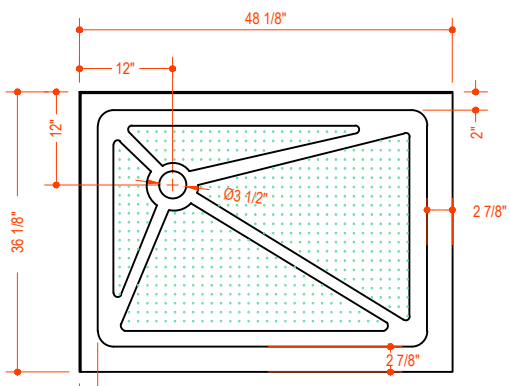
MODEL VG06019XXX3240*



MODEL VG06019XXX3248

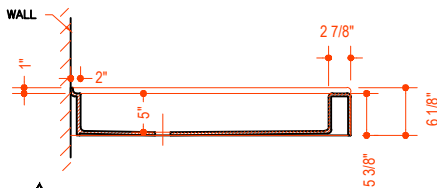
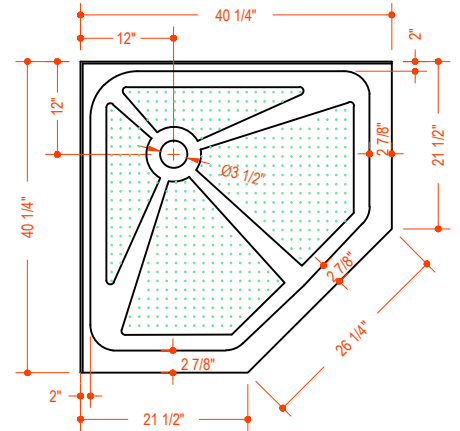
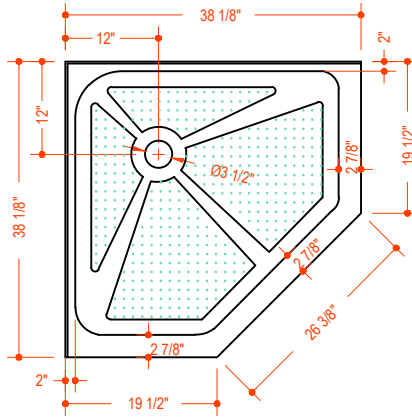
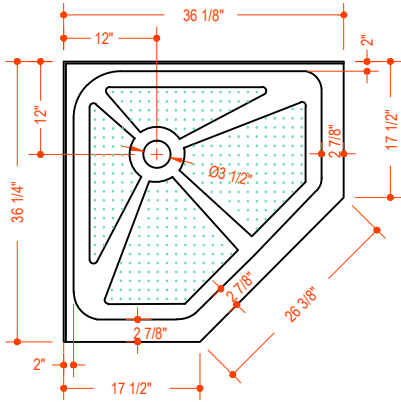


MODEL VG06019XXX3636

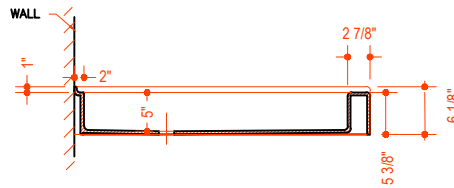


MODEL VG06019XXX3648

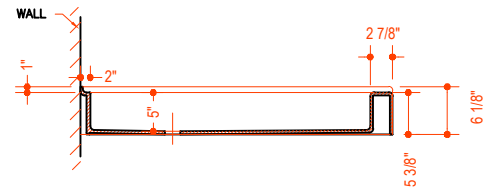
DIMENSIONS OF MODEL VG06069



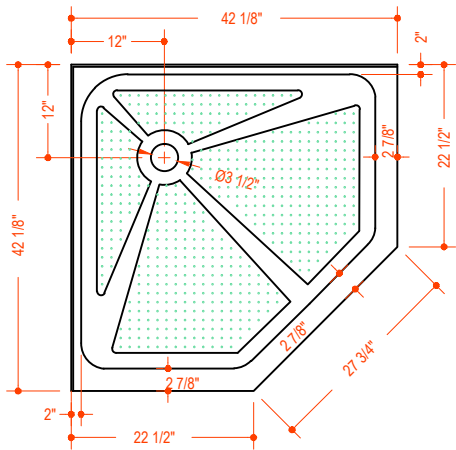
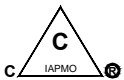
MODEL VG06069XXX36



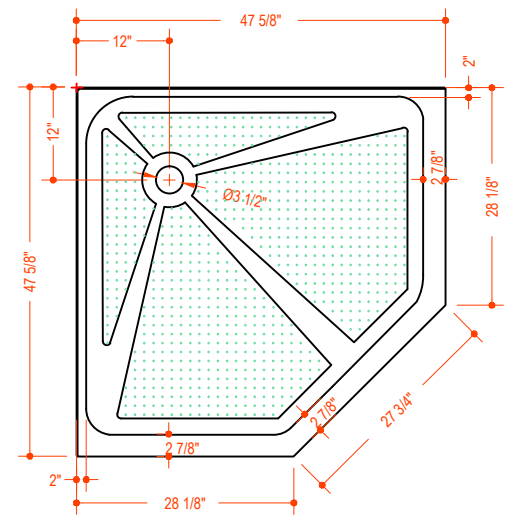
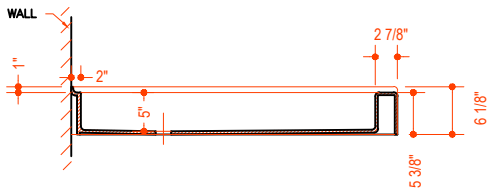
MODEL VG06069XXX38



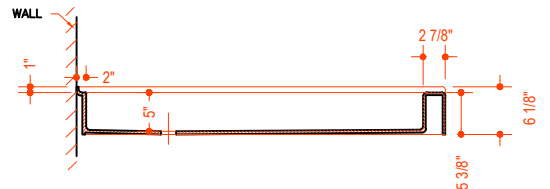
MODEL VG06069XXX40



MODEL VG06069XXX42



MODEL VG06069XXX47

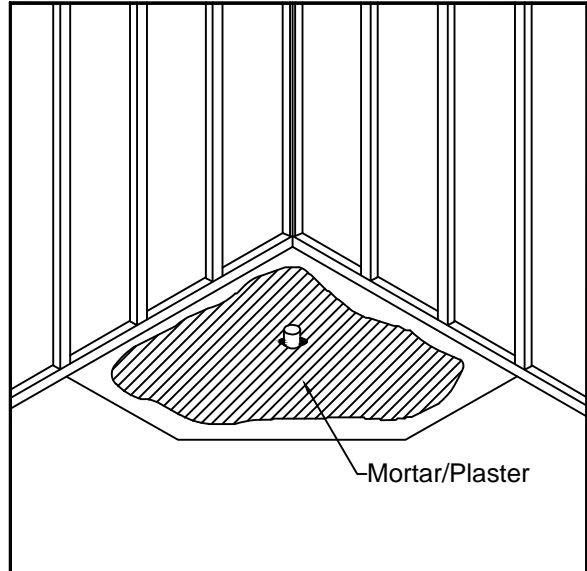


DIAGRAMS OF PROPER UNDERLAYMENT AND A TYPICAL INSTALLATION



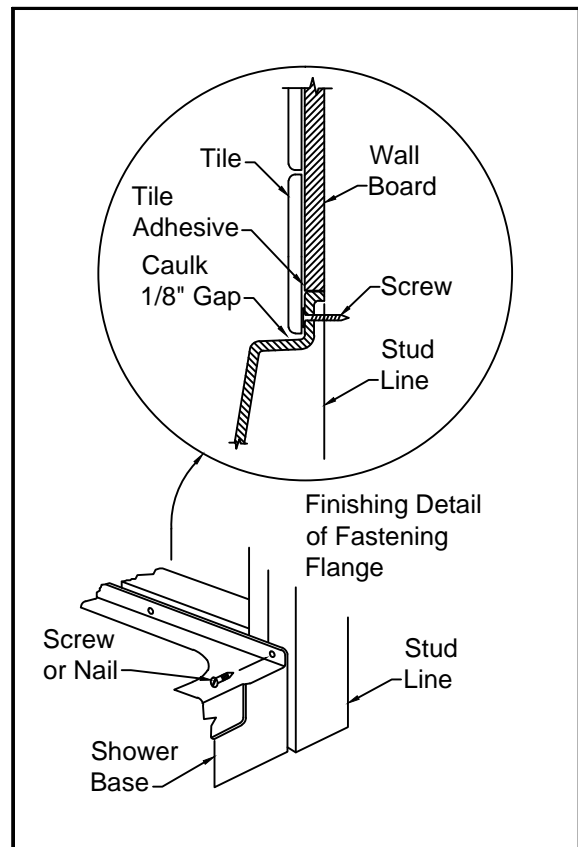
IMPORTANT NOTE

Make sure to use the proper underlayment base product (mortar / plaster) under the base prior to installation. Base this off proper building requirements which may be impacted from age or location of dwelling. Unless the proper underlayment is utilized, your base may not be able to perform to its rated weight limit which may cause person or property damage.



IMPORTANT NOTE

The diagram to the right is representative of a typical installation, however depending on your individual circumstances, this installation may need to be modified. Ensure that all construction meets any necessary building codes whether local, municipal, or otherwise.



SHOWER BASE INSTALLATION INSTRUCTIONS

1) Vigo does not provide any drainage fittings or P trap with the Vigo Brand Shower Base.

2) Important note - Please review your specific drain manufacturer's instructions for proper installation and follow local acceptable plumbing code.

3) Before starting of installation it is important that the floor and all framing be square and level.

Installation Procedure

4) Position the base in the intended final location and check the following details before final installation:

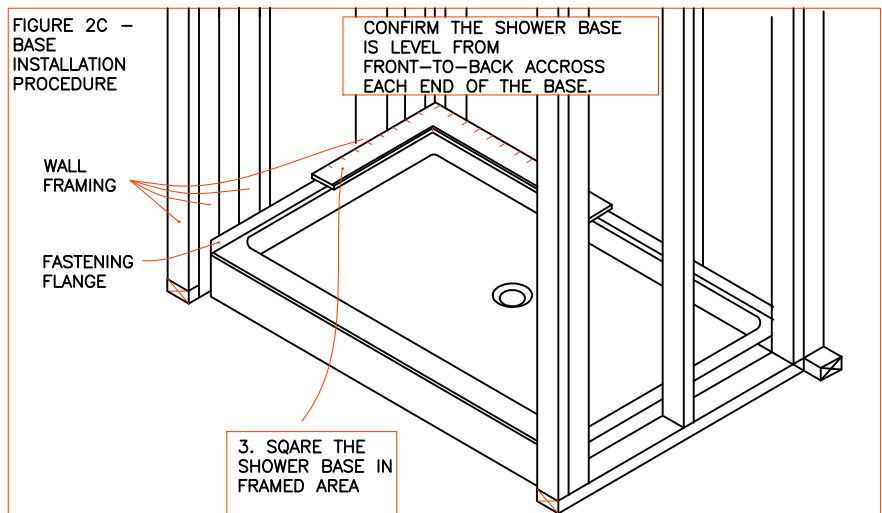
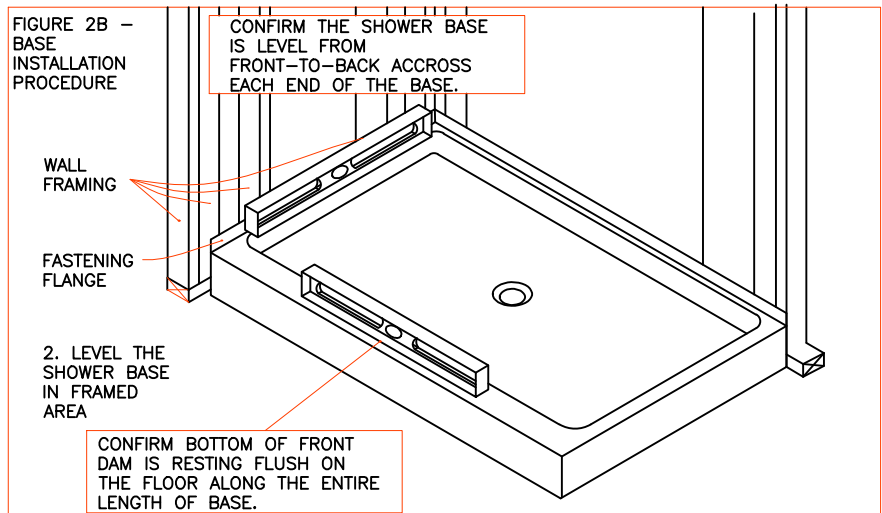
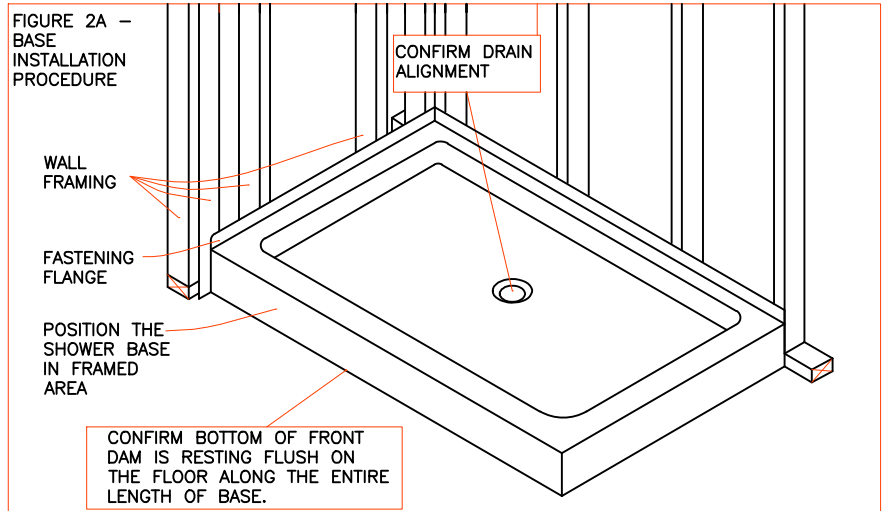
(Figure 2a, 2b and Figure 2c);

- Confirm dam is resting flush on the floor.
- Confirm drain placement.
- Confirm the top of base is level on all sides.
- Confirm the base is square in the alcove framework.
- Confirm the front inside corner is plumb at each end. (This is critical for the proper installation of an enclosure)
- All plumbing and drainage has to be installed before securing the shower unit to ensure correct positioning.

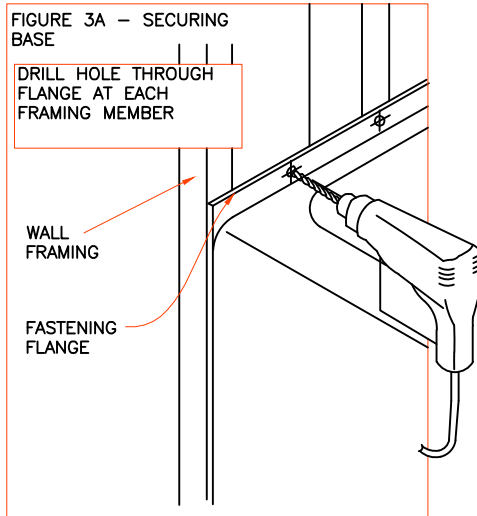
The base must be positioned square in the alcove framework.

The use of shim or filler material behind the fastening flange at each framing member may be required to maintain the base in the proper position.

After the base is confirmed leveled and square in the alcove, predrill holes that are in alignment to the stud or framing. Secure the base in place across the back wall first, followed by the flanges. Using 1-1/4 inch long appropriate fasteners. Attach the base to the framing making sure to confirm the base remains square after each fastener is installed until all fasteners are installed. (Figure 3a and 3b on following page)



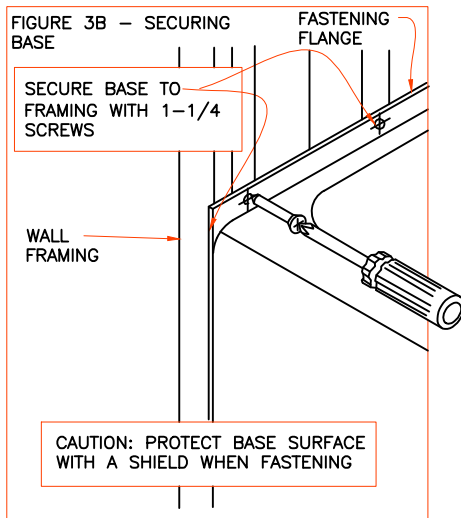
SHOWER BASE INSTALLATION INSTRUCTIONS



CAUTION: It is advisable to protect the base surface with a thin plywood or cardboard shield while fastening the flange to the framing.

WARNING! THE BASE BOTTOM SHOULD BE CLEAR OF ALL POTENTIALLY DAMAGING DEBRIS AND THE SURFACE PROTECTED BEFORE STEPPING INSIDE.

Please ensure that the base remains free of potentially damaging debris before proceeding with finishing of enclosure.

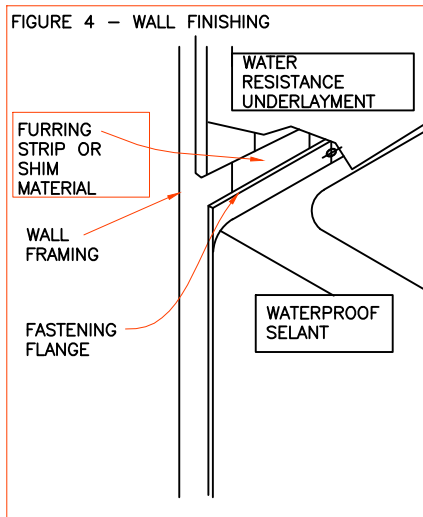


Post Installation Finishing

Furring strips or filler material may be required.(Figure 4).

A water resistant underlayment is recommended on areas surrounding the base. Leave a gap of 1/16 to 1/8 inch from the base surface, and fill the space with a continuous bead of waterproof sealant.

Carefully fasten the underlayment near the base to avoid damaging the base surface. Seal the seams and edges of the underlayment, as required, and install the finish material to specifications. (Figure 4)



WARNING NEVER USE ABRASIVE CLEANERS, MATERIALS, ACIDS, OR SOLVENTS ON THE BASE SURFACE.

Through routine use, the base surface can collect residues from soap, bath additives and natural body oils. Additional deposits can also collect from minerals or particles found in the water.

After each use, wipe the excess water from the base. This practice will reduce the buildup of deposits and help maintain the natural base luster.

GUIDELINES FOR BASE INSTALLATION

SHOWER BASE

TROUBLESHOOTING

PROBLEM	POTENTIAL CAUSE	CORRECTIVE ACTION
1 - After installation if the base flexes when stepped on	1 - Not enough underlayment was used	1 - Contractor to remove and reinstall with proper amounts of underlayment
2 - Base does not drain	2 - The base was not installed level	2 - Check pitch with a level and reinstall accordingly
3 - Drain hole is in incorrect corner per desired location	3 - Ordered incorrectly	3 - Contact your Vigo retailer for methods of resolution

CARE AND MAINTENANCE

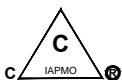
- Routine Cleaning: Mild, non-abrasive cleaner specifically formulated for gelcoat and acrylic surfaces recommended. (Rinse surface thoroughly.)
- Heavy Soap Deposits: Liquid ammonia household cleaner, applied full strength. (Rinse surface thoroughly.)
- Stubborn Stains: Liquid household cleaner or hydrogen peroxide, applied full strength. Place a saturated clean rag directly on stain and let stand several hours. (Rinse surface thoroughly.)
- Hard Water Scales: Liquid scale remover or white vinegar, applied full strength. (Rinse surface thoroughly.)
- Mold/Mildew: Liquid mildew remover or baking soda and water paste. Apply paste and allow to fizz several minutes. (Rinse surface thoroughly.)

TOLL FREE: (866) 591 - 7792

E-Mail: techmail@vigoindustries.com

www.vigoindustries.com

VIGO



All models are CUPC certified unless otherwise marked.

VIGO INDUSTRIES, LLC (“VIGO”) SHOWER BASE LIMITED WARRANTY



EFFECTIVE JANUARY 1, 2010

VIGO offers the following limited warranty on each of its Shower Base products* (the “Product”). This warranty extends only to the original owner or end-user for personal household use. For commercial uses, additional limitations apply.

VIGO warrants the Product to be free from defects in workmanship and materials under normal use and service for a period of two (2) years from the initial date of purchase by the owner or end-user, contractor, or builder, from VIGO or an authorized VIGO dealer.

Subject to the Warranty Service provision below, any product reported to the authorized dealer or to VIGO as being defective within the warranty period will be repaired or replaced (with a product of equal value) at the option of VIGO. This warranty extends to the original owner or end-user and is not transferable to a subsequent owner.

Neither the distributor, authorized VIGO dealer, nor any other person has been authorized to make any affirmation, representation, or warranty other than those contained in this warranty. Any affirmation, representation, or warranty other than those contained in this warranty shall not be enforceable against VIGO or any other person.

VIGO reserves the right to modify this warranty at any time, it being understood that such modifications will not alter the warranty conditions applicable at the time of sale of the products in question.

Limitations

This warranty shall not apply to instances of incorrect operating procedures, breakages, or damages caused by fault through improper installation, carelessness, abuse, misuse, misapplication, improper maintenance, or alteration of the Product, as well as chemical or natural corrosion, accident, fire, flood, an act of God, or any other casualty. Avoid abrasive cleaners, steel wools, and harsh chemicals as these will scratch, damage, and / or dull the product and / or finish and void this warranty. The owner/end-user of the Product covered by the present warranty is entirely responsible for its proper installation and any applicable plumbing or electrical wiring. VIGO neither installs nor supervises the installation nor hires a contractor for this purpose; consequently, VIGO cannot be held responsible for any default, breakage, or damages caused thereby or resulting thereof, either directly or indirectly.

The owner/end-user must provide access to the components of the Product as described in the installation guide so that VIGO can execute the warranty specified herein. If such access is not available, all expenses to provide said access will be the responsibility of the owner/end-user.

This warranty does not apply to Products that have not been installed or operated in accordance with instructions supplied by VIGO and all applicable rules, regulations, and legislation pertaining to such installations.

This warranty does not apply unless the VIGO Product is installed by fully insured licensed professionals. VIGO strongly recommends that such licensed professionals have experience in the installation of bathroom and kitchen products. Installation of certain products, including, without limitation, glass products (i.e., shower doors and glass sinks) by an inexperienced person may result in glass breakage and, consequently, cause personal injury or death.

VIGO is not liable for personal injuries or deaths to any persons or for any direct, special, incidental, or consequential damage, loss of time, loss of profits, inconvenience, incidental expenses, labor or material charges, or any other costs resulting from the use of the product or equipment or pertaining to the application of the present warranty, or resulting from the removal or replacement of any product or element or part covered by this warranty.

EXCEPT AS OTHERWISE PROVIDED ABOVE, VIGO MAKES NO WARRANTIES, EXPRESSED OR IMPLIED, INCLUDING WARRANTIES OF MERCHANTABILITY AND FITNESS FOR A PARTICULAR PURPOSE OR COMPLIANCE WITH ANY CODE.

In any case, VIGO cannot be held liable for any amount over and above the purchase price paid for the Product by the owner/end-user, contractor, or builder.

Commercial Limitations

In addition to the above conditions and limitations, the warranty period for products installed for commercial applications or used in commercial ventures is one (1) year from the initial date of purchase by the owner/end-user, contractor, or builder from an authorized dealer. VIGO is not responsible for loss of use or profit under any circumstances. If the product is used as a display, the warranty period begins when the product is placed on display. This warranty gives the owner/end-user specific legal rights. The owner/end-user may also have other rights which can vary from one state or province to another.

Warranty Service

In order to obtain service provided under this warranty during regular business hours, contact the dealer or distributor who sold the base, or contact VIGO directly. VIGO will provide the warranty service described above when the following conditions have been met: the failure is of the nature or type covered by the warranty; the user has informed an authorized VIGO Agent or VIGO’s warranty service department representative of the nature of the problem during the warranty period; conclusive evidence (e.g., proof of purchase or installation) is provided to the foregoing by the user proving that the failure occurred or was discovered within the warranty period; an authorized independent service person or company representative has been permitted to inspect the product during regular business hours within a reasonable time after the problem was reported by the user. VIGO’s warranty obligation shall be discharged upon tender of replacement or repair. The customer’s refusal to accept the tender terminates VIGO’s warranty obligations.

*Certain models are pending approval.

Certification may be ended by VIGO or certification agencies without notice.

MODÈLES



MODÈLE VG06029

MODÈLE VG06021*



MODÈLE VG06068

MODÈLE VG06061/MODÈLE VG06062/MODÈLE VG06063*



MODÈLE VG06039

MODÈLE VG06031*



MODÈLE VG06069

MODÈLE VG06061/MODÈLE VG06062/MODÈLE VG06063*



**Drain droit
Configuration**

MODÈLE VG06019

MODÈLE VG06011/MODÈLE VG06051*



**Drain gauche
Configuration**

MODÈLE VG06019

MODÈLE VG06011/MODÈLE VG06051*



**Drain droit
Configuration**

MODÈLE VG06019

MODÈLE VG06011/MODÈLE VG06051*



**Drain gauche
Configuration**

MODÈLE VG06019

MODÈLE VG06011/MODÈLE VG06051*



MODÈLE VG06049

MODÈLE VG06041/MODÈLE VG06042*

* Cabine de douche / porte de douche de marque Vigo correspondantes qui s'adapte au bac de douche de marque Vigo décrite.

TABLE DES MATIÈRES

Modèles.....1

Table des matières.....2

Modèles, Notes pour l'installateur, Guide d'inspection.....3

Dimensions.....4
 MODÈLE VG06029XXX36
 MODÈLE VG06029XXX40

Dimensions.....5
 MODÈLE VG06039XXX36
 MODÈLE VG06039XXX40

Dimensions.....6
 MODÈLE VG06049XXX4832C
 MODÈLE VG06049XXX4836C
 MODÈLE VG06049XXX6030C
 MODÈLE VG06049XXX6032C
 MODÈLE VG06049XXX6036C

Dimensions.....7
 MODÈLE VG06068XXX3636
 MODÈLE VG06068XXX3838
 MODÈLE VG06068XXX4040
 MODÈLE VG06068XXX4242
 MODÈLE VG06068XXX4747

Dimensions.....8
 MODÈLE VG06019XXX3232
 MODÈLE VG06019XXX3240
 MODÈLE VG06019XXX3248
 MODÈLE VG06019XXX3636
 MODÈLE VG06019XXX3648

Dimensions.....9
 MODÈLE VG06069XXX36
 MODÈLE VG06069XXX38
 MODÈLE VG06069XXX40
 MODÈLE VG06069XXX42
 MODÈLE VG06069XXX47

Schéma de revêtement correct et installation classique.....10

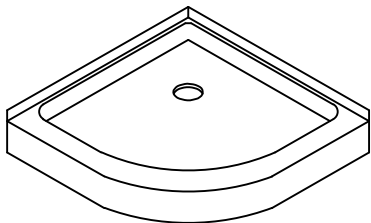
Instructions relatives à l'installation du bac de douche.....11

Instructions relatives à l'installation du bac de douche.....12

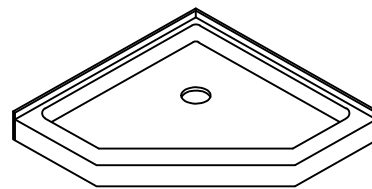
Dépannage, entretien.....13

Garantie limitée à vie des bacs de douche.....14

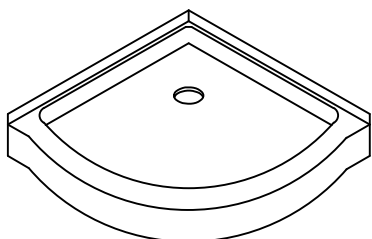
MODÈLES, NOTES POUR L'INSTALLATEUR, GUIDE D'INSPECTION



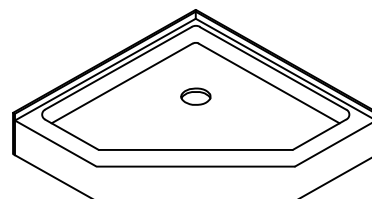
MODÈLE VG06029



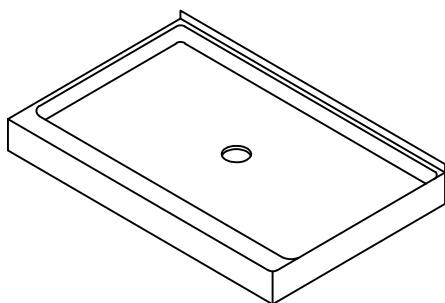
MODÈLE VG06068



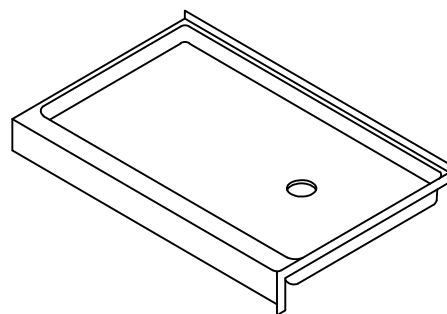
MODÈLE VG06039



MODÈLE VG06069



MODÈLE VG06049



MODÈLE VG06019

Nous vous remercions d'avoir acheté un bac de douche de la marque Vigo. Pour de meilleurs résultats, veuillez lire et suivre attentivement toutes les instructions.

Vigo vous recommande de faire installer les pièces indiquées par un professionnel qualifié et compétent.

PLAN DE PRÉ INSTALLATION

Ne stockez pas le bac à l'extérieur. Il est important de préserver les éléments de la lumière directe du soleil et de toute exposition au soleil.

Il est important de revoir minutieusement ces procédures avant de démarrer pour éviter des problèmes inutiles qui entraîneraient une mauvaise installation et pourraient engendrer des dommages.

REMARQUE : Tous les dessins représentent le bac seul et peuvent sembler différents du bac que vous installez. En outre, les éléments nécessaires à l'installation peuvent être indiqués dans les instructions. Ils devront être achetés séparément.

Notes spéciales à l'attention de l'installateur

- Il est de la responsabilité de l'installateur de déterminer, avant l'installation, les exigences nécessaires à la mise en conformité avec tous les codes de constructions locaux ou autres, impliquant le bac de douche ou l'installation.
- Tous les documents de travail fournis avec le bac et toutes les options ou tous les accessoires associés doivent être conservés et présentés au propriétaire à la fin de l'installation.
- Toutes les dimensions du bac publiées sont données à titre de référence uniquement. Toutes les dimensions importantes requises pour l'installation doivent être prises directement sur le bac qui est installé.
- Toutes les modifications apportées au bac autres que celles définies pour l'installation peuvent entraîner l'annulation de toutes les garanties. (Reportez-vous à la section relative à la garantie limitée à vie du bac de douche pour obtenir plus d'informations.)

Guide d'inspection

Une vérification minutieuse du bac doit être effectuée à la réception. Contactez directement votre fournisseur si vous avez des questions ou si vous rencontrez des problèmes lors de l'installation.

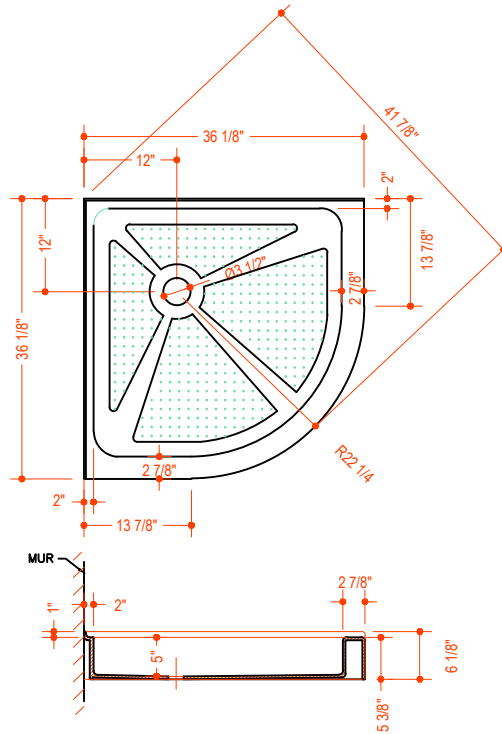
N'INSTALLEZ PAS UN BAC DE DOUCHE SANS AVOIR AU PRÉALABLE ADRESSÉ LES QUESTIONS QUE VOUS VOUS ÊTES POSÉES LORS DE L'INSPECTION

Vérification de base du module

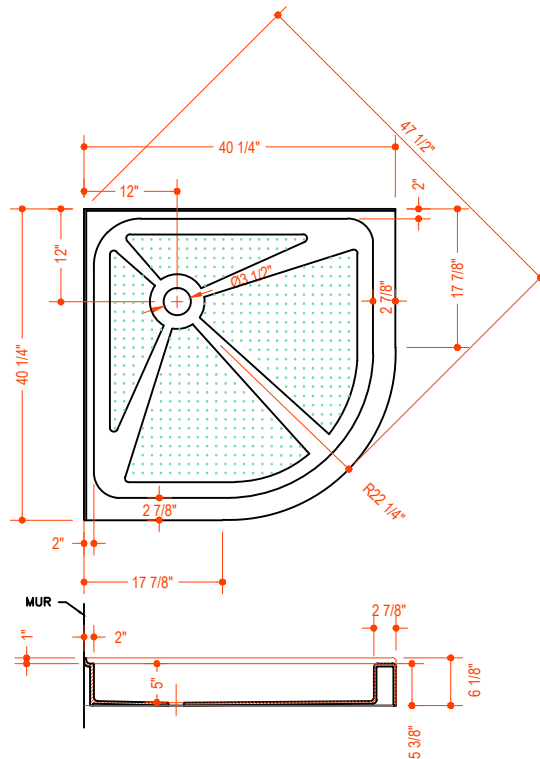
- Vérifiez si le drain du bac s'adapte à l'emplacement du drain de la salle de bain
- Vérifiez si la surface du bac n'est pas endommagée.
- Vérifiez si la couleur du bac est acceptable.

 = Note important devant être traitée comme telle

DIMENSIONS DU MODÈLE VG06029

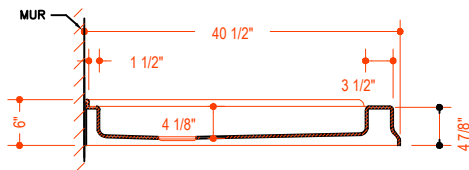
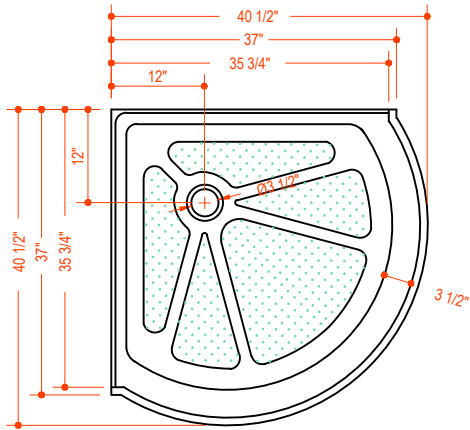


MODÈLE VG06029XXX36

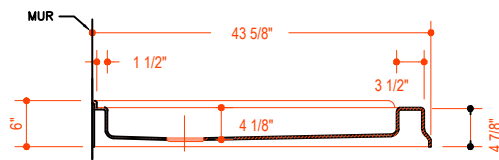
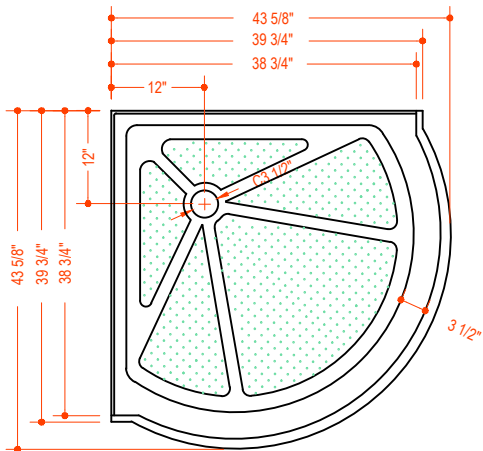


MODÈLE VG06029XXX40

DIMENSIONS DU MODÈLE VG06039

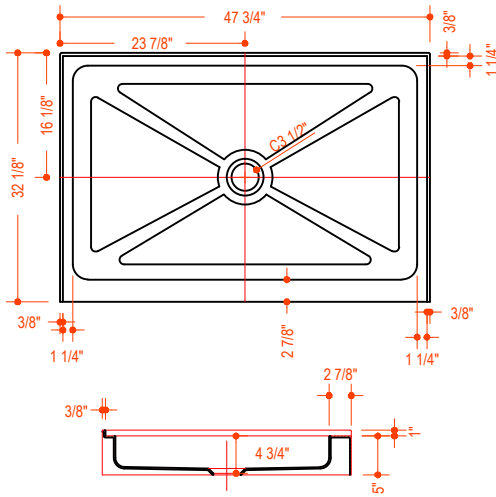


MODÈLE VG06039XXX36

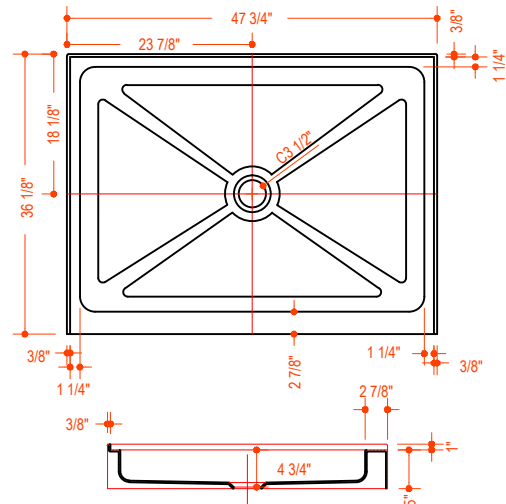


MODÈLE VG06039XXX40

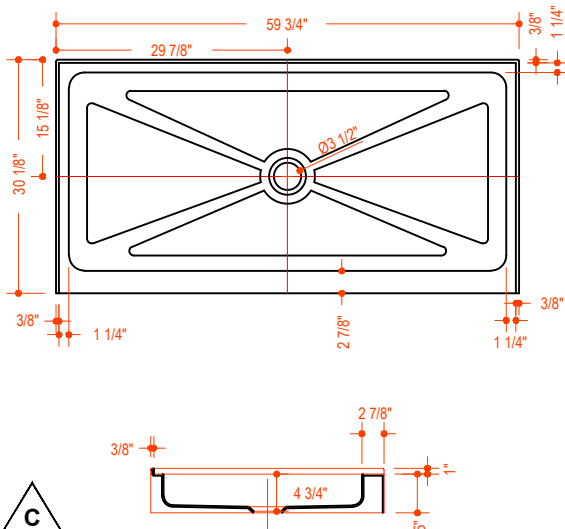
DIMENSIONS DU MODÈLE VG06049



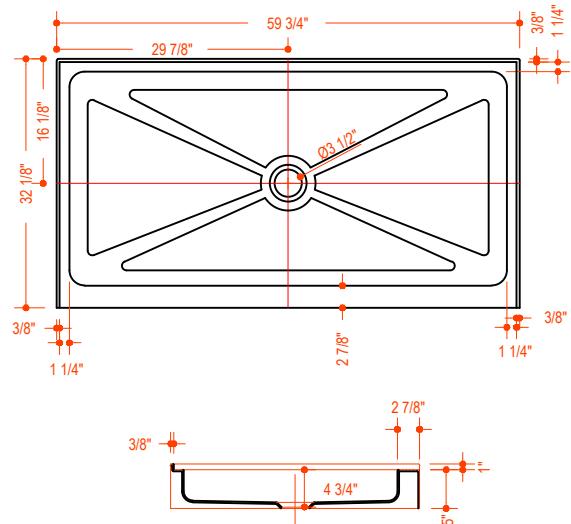
MODÈLE VG06049XXX4832C



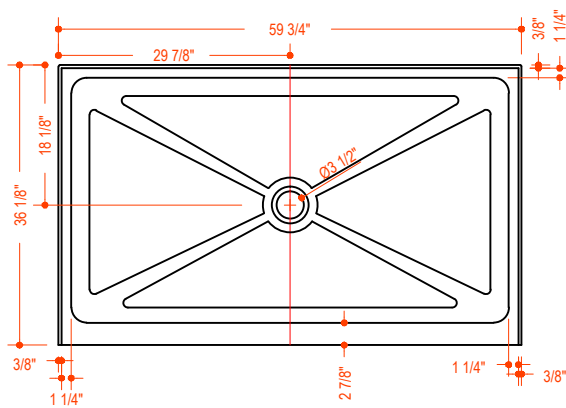
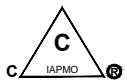
MODÈLE VG06049XXX4836C



MODÈLE VG06049XXX6030C

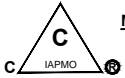
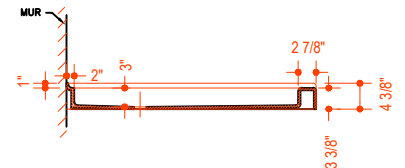
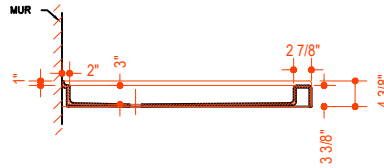
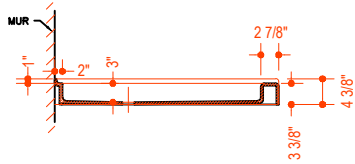
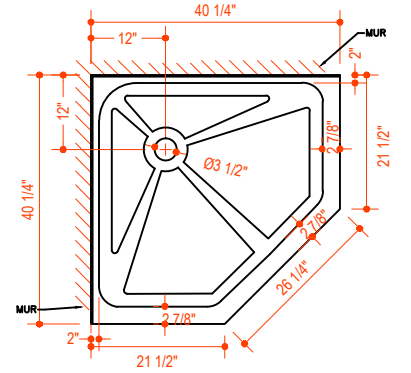
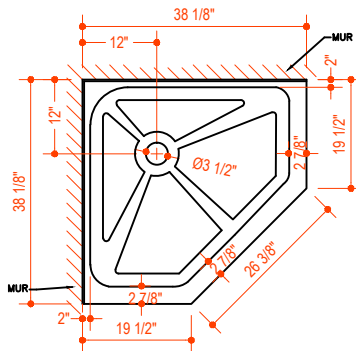
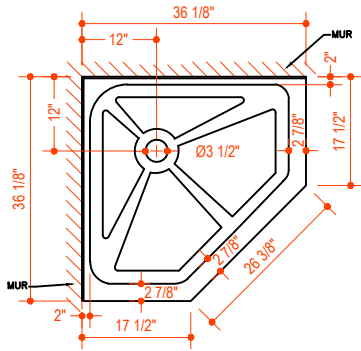


MODÈLE VG06049XXX6032C



MODÈLE VG06049XXX6036C

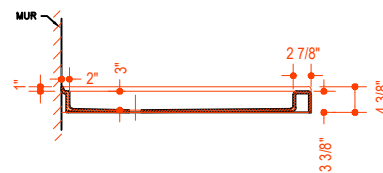
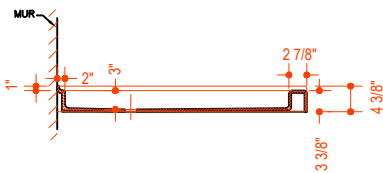
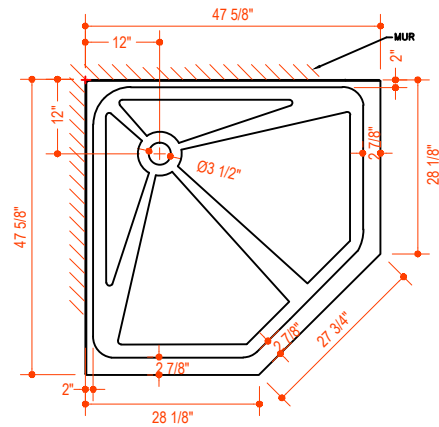
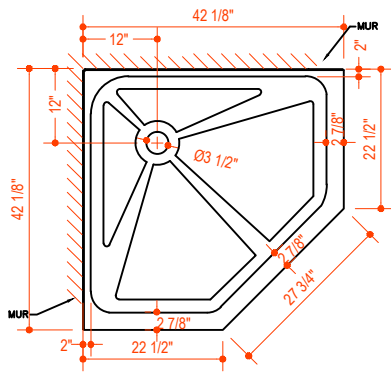
DIMENSIONS DU MODÈLE VG06068



MODÈLE VG06068XXX3636

MODÈLE VG06068XXX3838

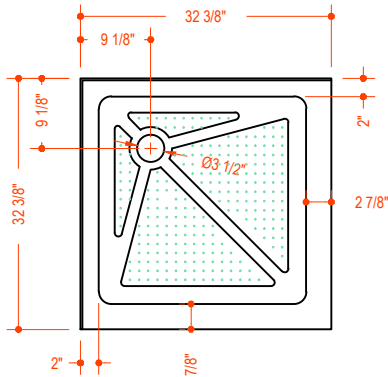
MODÈLE VG06068XXX4040



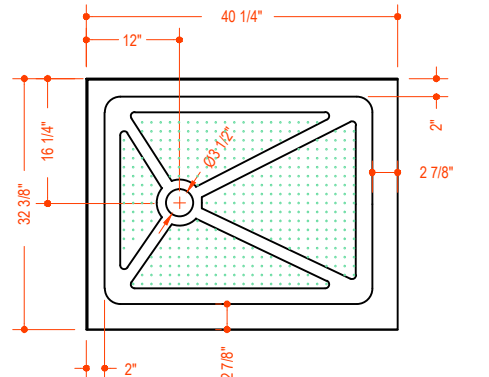
MODÈLE VG06068XXX4242

MODÈLE VG06068XXX4747

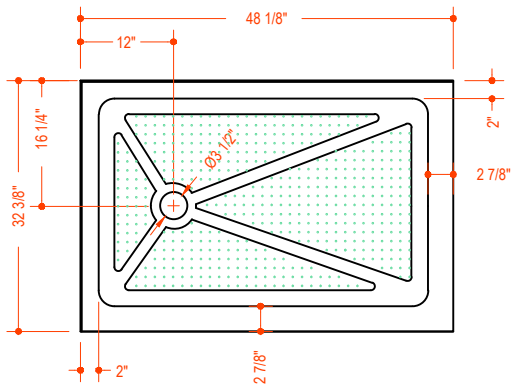
DIMENSIONS DU MODÈLE VG06019



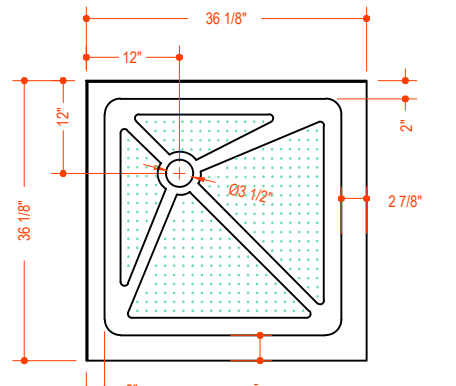
MODÈLE VG06019XXX3232



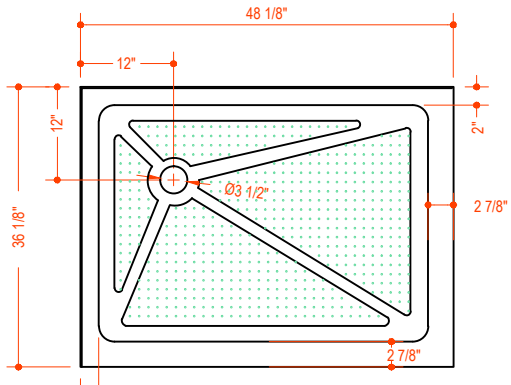
MODÈLE VG06019XXX3240*



MODÈLE VG06019XXX3248

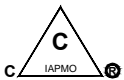
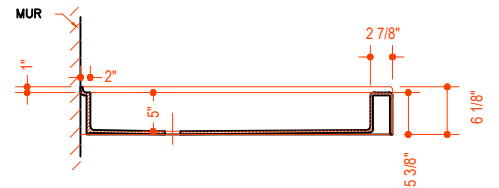
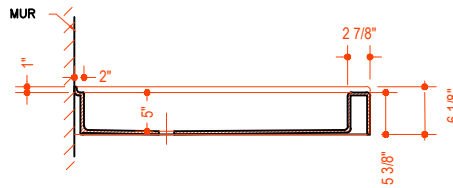
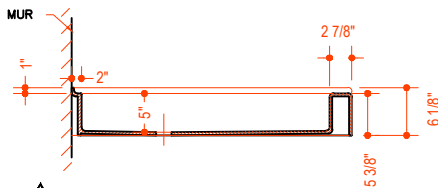
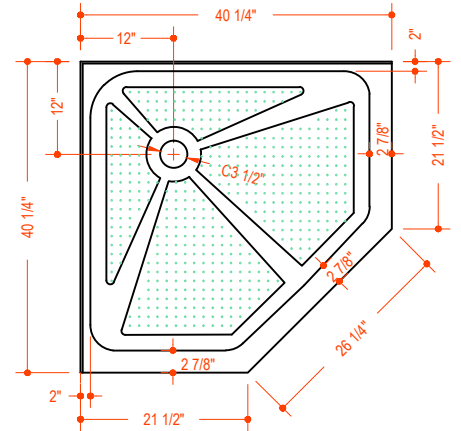
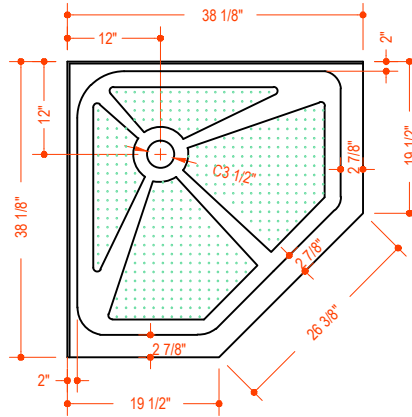
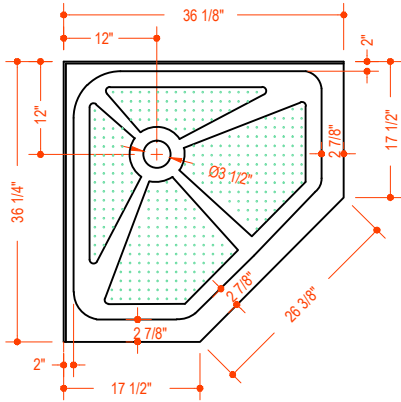


MODÈLE VG06019XXX3636



MODÈLE VG06019XXX3648

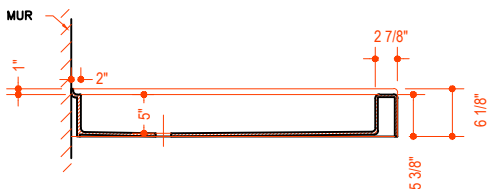
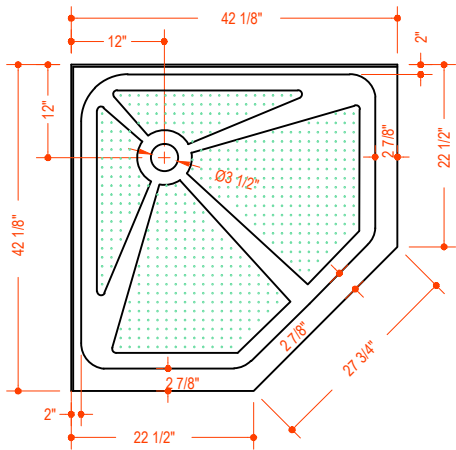
DIMENSIONS DU MODÈLE VG06069



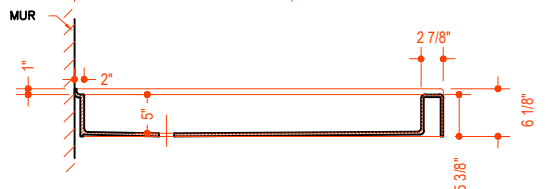
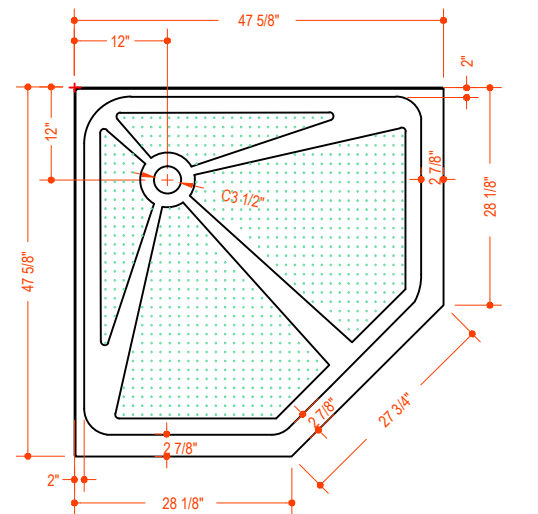
MODÈLE VG06069XXX36

MODÈLE VG06069XXX38

MODÈLE VG06069XXX40



MODÈLE VG06069XXX42



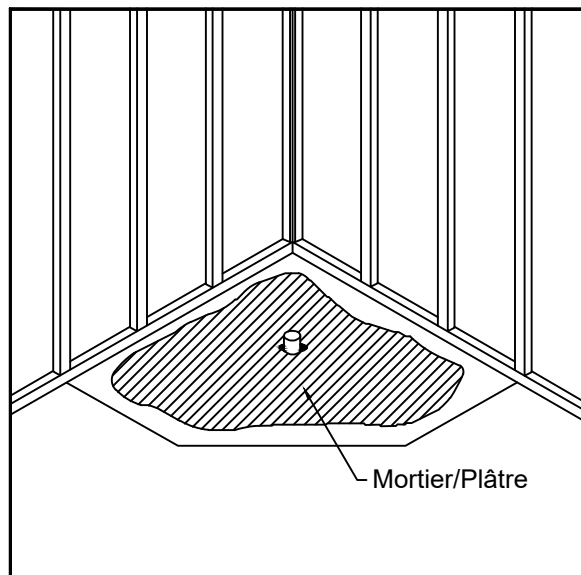
MODÈLE VG06069XXX47

SCHÉMA DE REVÊTEMENT CORRECT ET INSTALLATION CLASSIQUE



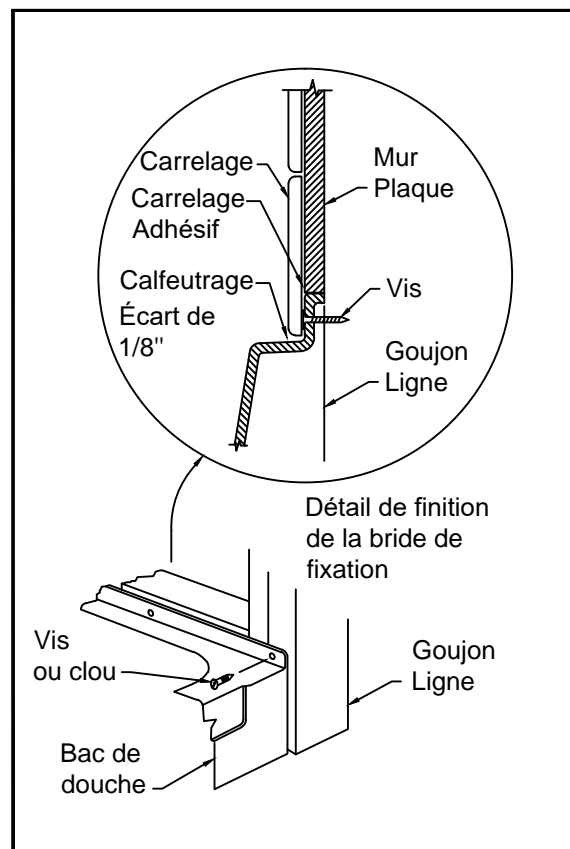
REMARQUE IMPORTANTE

Veillez à utiliser le bon produit de base de revêtement (mortier/plâtre) sous le bac avant l'installation. Si ces exigences de construction ne sont pas respectées, le bac de douche risque de s'abîmer avec le temps. Sauf si le bon revêtement est utilisé, votre bac peut ne pas supporter sa limite de poids nominal, ce qui peut causer des blessures corporelles ou des dégâts.



REMARQUE IMPORTANTE

Le schéma de droite représente une installation typique. Cependant, en fonction vos circonstances individuelles, cette installation peut être modifiée. Veillez à ce que la construction réponde aux codes de construction nécessaires (locaux, municipaux ou autre).



INSTRUCTIONS RELATIVES À L'INSTALLATION DU BAC DE DOUCHE

1) Vigo ne fournit pas de fixations de drainage ou de siphon P avec le bac de douche de marque Vigo.

2) Note importante - Veuillez revoir les instructions spécifiques du fabricant de drain pour une installation correcte et respecter le code de plomberie local en vigueur.

3) Avant de procéder à l'installation, il est important que le sol et le cadre soient perpendiculaires et de niveau.

Procédure d'installation

4) Positionnez le bac à l'emplacement final souhaité et vérifiez les détails suivants avant de procéder à l'installation finale :

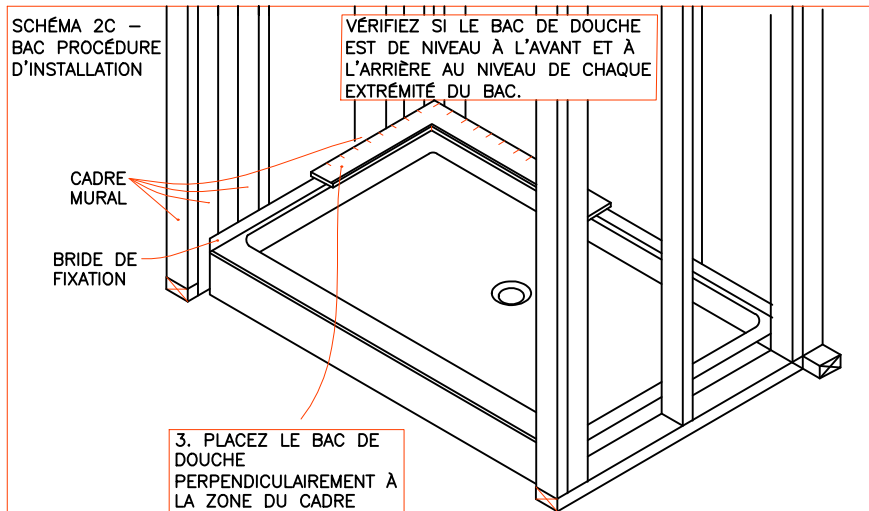
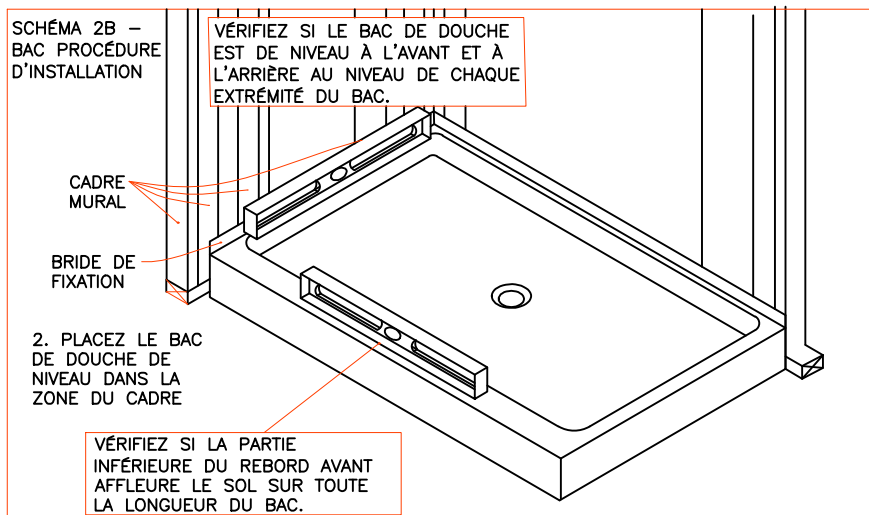
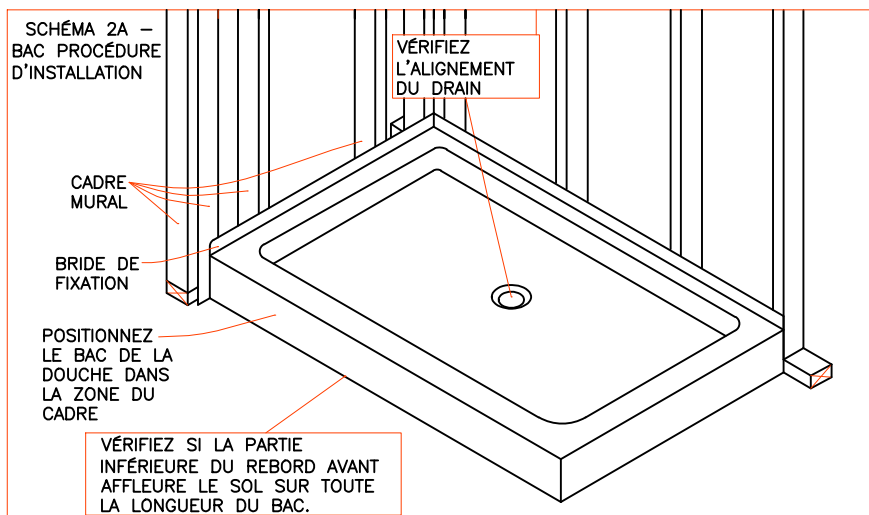
(Schémas 2a, 2b et schéma 2c);

- Vérifiez si le rebord affleure la surface du sol.
- Vérifiez le placement du drain.
- Vérifiez si le dessus du bac est de niveau de chaque côté.
- Vérifiez si le bac est perpendiculaire au cadre de l'alcôve
- Vérifiez si le coin intérieur avant est d'aplomb à chaque extrémité. (Ce point est essentiel pour une installation correcte de la cabine de douche)
- La plomberie et les drains doivent être installés avant de fixer l'unité de la douche pour assurer un positionnement correct.

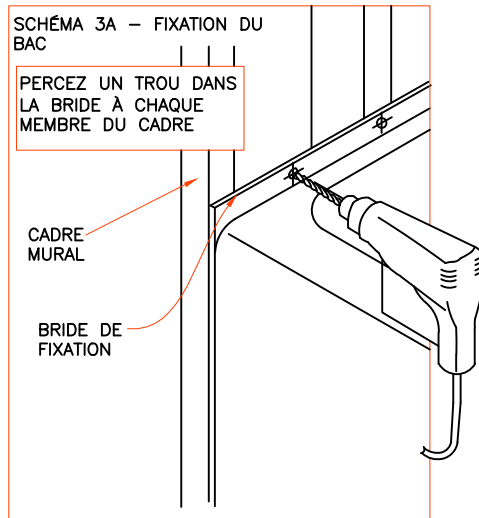
Le bac doit être perpendiculaire au cadre de l'alcôve.

L'utilisation d'une cale ou d'un matériau de rembourrage derrière la bride de fixation de chaque élément du cadre peut s'avérer nécessaire pour maintenir le bac dans la bonne position.

Une fois que le bac est de niveau et perpendiculaire à l'alcôve, prépercez des trous de sorte qu'ils soient alignés avec le goujon ou le cadre. Fixez en premier lieu le bac dans la paroi arrière, puis les brides. Utilisez des dispositifs de fixation appropriés de 1 1/4 de pouces. Fixez le bac au cadre en vérifiant si celui-ci reste perpendiculaire après que chaque dispositif de fixation a été installé et jusqu'à ce que tous les dispositifs de fixation soient installés (schémas 3a et 3b, page suivante)



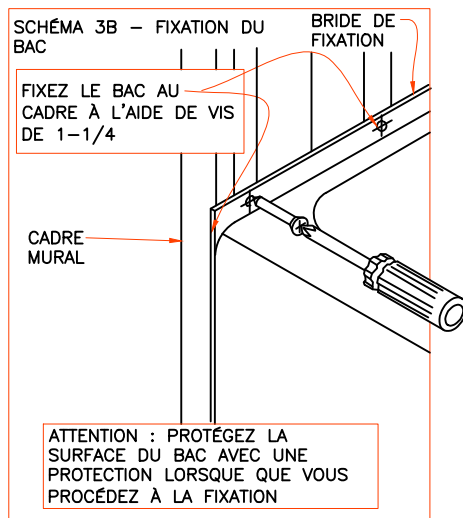
INSTRUCTIONS RELATIVES À L'INSTALLATION DU BAC DE DOUCHE



ATTENTION : Il est conseillé de protéger la surface du bac avec un contreplaqué fin ou une protection en carton lorsque vous attachez la bride au cadre.

AVERTISSEMENT! LA PARTIE INFÉRIEURE DU BAC DOIT ÊTRE NETTOYÉE DE TOUT DÉBRIS POTENTIELLEMENT DANGEREUX ET LA SURFACE DOIT ÊTRE PROTÉGÉE AVANT DE MARCHER DESSUS.

Assurez-vous que le bac reste dégagé de tout débris potentiellement dangereux avant de finir d'installer la cabine de douche.

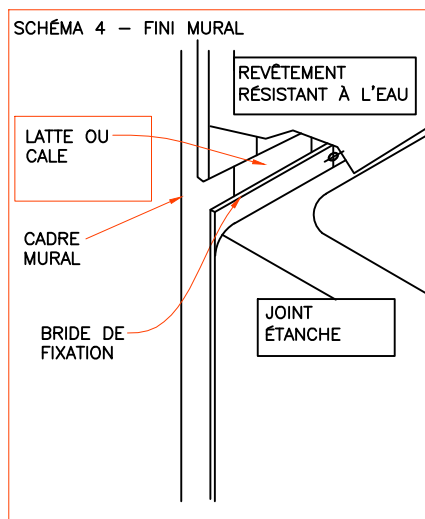


Finition après installation

Des lattes ou un matériau de rembourrage peuvent être nécessaires. (schéma 4).

Un revêtement résistant à l'eau est recommandé sur les zones qui entourent le bac. Laissez un écart de 1/16 à 1/8 pouces à partir de la surface du bac, et remplissez l'espace avec une bande continue de joint étanche.

Fixez avec précaution le revêtement près du bac pour éviter d'endommager la surface du bac. Scellez les jointures et les bords du revêtement, si nécessaire, et installez la matériau fini conformément aux spécifications. (Schéma 4)



AVERTISSEMENT
N'UTILISEZ JAMAIS DE PRODUITS OU DES MATÉRIAUX NETTOYANTS ABRASIFS, DES ACIDES OU DES SOLVANTS SUR LA SURFACE DU BAC

Dans le cadre d'une utilisation quotidienne, la surface du bac peut accumuler des résidus de savons, de produits pour le bain et d'huiles naturelles pour le corps. Des dépôts supplémentaires peuvent également se former à partir des minéraux ou des particules qui se trouvent dans l'eau.

Après chaque utilisation, essuyez l'excédent d'eau sur le bac. Cela permet de réduire l'accumulation de dépôts et de préserver le lustre naturel du bac

DÉPANNAGE

PROBLÈME	CAUSE ÉVENTUELLE	MESURE CORRECTIVE
1 - Après l'installation si le bac se ploie lorsque vous marchez dessus	1 - Revêtement utilisé insuffisant	1 - Entrepreneur pour retirer et réinstaller les fixations correctes du revêtement
2 - Le bac ne draine pas	2 - Le bac n'est pas de niveau	2 - Vérifiez le revêtement avec un niveau et procédez à la réinstallation
3 - L'orifice de drainage n'est pas dans le bon coin par rapport à la position souhaitée	3 - Mauvaise commande	3 - Contactez votre détaillant Vigo pour trouver une solution

ENTRETIEN

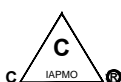
- **Nettoyage quotidien** : Utilisez des produits nettoyants doux, non abrasifs formulés spécifiquement pour les surfaces en acrylique et en gelcoat. (Rincez la surface minutieusement.)
- **Dépôts de savons importants** : Appliquez un produit nettoyant liquide à base d'ammoniaque. (Rincez la surface minutieusement.)
- **Taches résistantes** : Appliquez un produit nettoyant liquide ou du peroxyde d'hydrogène. Placez un chiffon propre bien imbibé directement sur la tache et laissez-le pendant plusieurs heures. (Rincez la surface minutieusement.)
- **Dépôts de calcaire dus à l'eau chaude** : Appliquez un produit détartrant liquide ou du vinaigre blanc. (Rincez la surface minutieusement.)
- **Moisissures** : Utilisez un produit liquide destructeur de moisissures ou du bicarbonate de soude et de la pâte à eau. Appliquez la pâte et laissez pétiller plusieurs minutes. (Rincez la surface minutieusement.)

SANS FRAIS : (866) 591 - 7792

Courriel : techmail@vigoindustries.com

www.vigoindustries.com

VIGO



GARANTIE LIMITÉE À VIE DES BACS DE DOUCHE VIGO INDUSTRIES, LLC ("VIGO")

VIGO

EN VIGUEUR LE 1ER JANVIER 2010

VIGO accorde la garantie limitée suivante sur chacun de ses bacs de douche* (le Produit). Cette garantie ne s'applique qu'au premier acheteur ou utilisateur final en vue d'un usage personnel domestique. D'autres limitations s'appliquent en cas d'usage commercial.

Sous réserve de conditions normales d'entretien et d'utilisation, VIGO garantit les composants mécaniques du produit contre tout vice matériel ou de fabrication pendant deux (2) ans à partir de la date du premier achat du produit à VIGO ou à un détaillant agréé de VIGO, par le propriétaire, l'utilisateur final, l'entrepreneur ou le constructeur.

Sous réserve de la disposition ci-dessous concernant le service de garantie, tout produit déclaré défectueux auprès d'un détaillant agréé ou de VIGO au cours de la période de garantie sera réparé ou remplacé (par un produit de valeur équivalente) au choix de VIGO. Cette garantie s'applique au premier propriétaire ou utilisateur final et n'est pas transférable à un propriétaire ultérieur.

Aucun distributeur, détaillant agréé de VIGO ou autre tiers n'a reçu l'autorisation de faire des affirmations ou des représentations ou encore de donner des garanties autres que celles contenues dans la présente garantie. Aucune affirmation, représentation ou garantie autre que celles contenues dans la présente garantie n'est opposable à VIGO ou à un tiers.

VIGO se réserve le droit de modifier la présente garantie à tout moment, étant entendu que les dites modifications ne peuvent changer les autres dispositions applicables au moment de la vente des produits visés.

Limitations

Cette garantie ne s'applique pas en cas de procédures d'utilisation incorrectes, de bris ou de dégâts découlant d'une faute due à une mauvaise installation, à la négligence, à une utilisation abusive, à une utilisation non autorisée, à un mauvais entretien ou à la modification du produit, ainsi qu'à une corrosion chimique ou naturelle, à un accident, à un incendie, à une inondation, à une catastrophe naturelle ou à tout autre sinistre. Les nettoyants abrasifs, la laine d'acier et les produits chimiques puissants peuvent érafler, endommager ou ternir le produit et le fini et entraîner l'annulation de la présente garantie. Le propriétaire utilisateur final du produit couvert par la présente garantie est entièrement responsable de sa bonne installation et des travaux de plomberie et de câblage électrique. VIGO n'installe pas le produit, ne supervise pas l'installation ni n'engage un entrepreneur à cette fin. Par conséquent, VIGO ne peut être tenue responsable des défauts, des bris ou des dégâts causés par l'installation ou en découlant, que ce soit directement ou indirectement.

Le propriétaire utilisateur final doit prévoir un accès aux composants du produit conformément aux explications du guide d'installation, afin que VIGO puisse exécuter les obligations stipulées aux présentes. En l'absence dudit accès, toutes les dépenses engagées pour le ménage seront à la charge du propriétaire utilisateur final.

La présente garantie ne s'applique pas aux produits qui n'ont pas été installés ou utilisés conformément aux consignes fournies par VIGO et à l'ensemble des règlements et des lois qui régissent ladite installation.

La présente garantie ne s'applique que si le produit VIGO est installé par des professionnels accrédités et entièrement assurés. VIGO recommande vivement de choisir des professionnels accrédités possédant de l'expérience dans l'installation de produits pour salles de bains et cuisines. Des personnes non expérimentées dans l'installation de certains produits, y compris sans toutefois s'y limiter, les produits en verre (portes de douches et lavabos en verre) sont susceptibles de les briser et, par conséquent, de provoquer des blessures, voire la mort.

VIGO n'est en aucun cas responsable des blessures, des décès ou des dommages directs, spéciaux, consécutifs ou indirects; de la perte de temps; de la perte de profits; des inconvénients; des frais accessoires, des coûts de main-d'œuvre ou de matériaux et de tout autre coût découlant de l'utilisation du produit ou de l'équipement ou en lien avec l'exécution de la présente garantie, ou encore découlant de la dépose ou du remplacement d'un produit, d'une pièce ou d'un élément couvert par la présente garantie.

SAUF DISPOSITION CONTRAIRE CI-DESSUS, VIGO NE FAIT AUCUNE GARANTIE, EXPRESSE OU IMPLICITE, Y COMPRIS DE VALEUR MARCHANDE, D'ADAPTATION À UN USAGE PARTICULIER OU DE CONFORMITÉ À UN CODE.

En aucun cas, VIGO ne peut être tenue responsable de tout montant supérieur au prix d'achat du produit déboursé par le propriétaire/l'utilisateur final, l'entrepreneur ou le constructeur.

Limitations commerciales

Outre les conditions et limitations ci-dessus, la période de garantie des produits installés dans un but commercial ou employés dans des commerces est de un (1) an à partir de la date du premier achat du produit par le propriétaire utilisateur final, l'entrepreneur ou le constructeur. En aucun cas, VIGO ne peut être tenue responsable des pertes de jouissance ou de profits. Si le produit est exposé, la période de garantie commence au moment où il est mis en exposition. La présente garantie confère au propriétaire utilisateur final des droits légaux auxquels peuvent s'ajouter d'autres droits selon l'état ou la province.

Service de garantie

Pour obtenir un service en vertu de la présente garantie pendant les heures normales d'ouverture, communiquez avec le détaillant ou le distributeur qui a vendu le bac, ou contactez directement VIGO. Si les conditions suivantes sont réunies, VIGO fournira le service de garantie décrit plus haut : la nature ou le type du problème est couvert par la garantie; l'utilisateur a informé un représentant autorisé de VIGO ou du service de garantie de VIGO de la nature du problème pendant la période de garantie; l'utilisateur a présenté aux personnes précitées des preuves concluantes (p. ex., preuve d'achat ou d'installation) indiquant que le problème est survenu ou a été découvert pendant la période de garantie; le représentant d'une personne ou une société de service agréée indépendante a pu inspecter le produit pendant les heures d'ouverture normales dans un délai raisonnable après le report du problème par l'utilisateur. Les obligations de VIGO au titre de la garantie seront exécutées lors de la proposition de remplacement ou de réparation. Le refus de ladite proposition par le client met fin aux obligations de VIGO au titre de la garantie.

Certains modèles sont en attente d'approbation.

VIGO et les organismes de certification peuvent résilier les certificats sans préavis.

MODELOS



MODELO VG06029

MODELO VG06021*



MODELO VG06068

MODELO VG06061/MODELO VG06062/MODELO VG06063*



MODELO VG06039

MODELO VG06031*



MODELO VG06069

MODELO VG06061/MODELO VG06062/MODELO VG06063*



Configuración
del desagüe
derecho

MODELO VG06019

MODELO VG06011/MODELO VG06051*



Configuración
del desagüe
izquierdo

MODELO VG06019

MODELO VG06011/MODELO VG06051*



Configuración
del desagüe
derecho

MODELO VG06019

MODELO VG06011/MODELO VG06051*



Configuración
del desagüe
izquierdo

MODELO VG06019

MODELO VG06011/MODELO VG06051*



MODELO VG06049

MODELO VG06041/MODELO VG06042*

*Caja de ducha/puerta de ducha
Vigo correspondiente que va con
la base de ducha Vigo descrita.

ÍNDICE

Modelos.....1

Índice.....2

Modelos, notas para el instalador, pautas para la inspección.....3

Dimensiones.....4
 MODELO VG06029XXX36
 MODELO VG06029XXX40

Dimensiones.....5
 MODELO VG06039XXX36
 MODELO VG06039XXX40

Dimensiones.....6
 MODELO VG06049XXX4832C
 MODELO VG06049XXX4836C
 MODELO VG06049XXX6030C
 MODELO VG06049XXX6032C
 MODELO VG06049XXX6036C

Dimensiones.....7
 MODELO VG06068XXX3636
 MODELO VG06068XXX3838
 MODELO VG06068XXX4040
 MODELO VG06068XXX4242
 MODELO VG06068XXX4747

Dimensiones.....8
 MODELO VG06019XXX3232
 MODELO VG06019XXX3240
 MODELO VG06019XXX3248
 MODELO VG06019XXX3636
 MODELO VG06019XXX3648

Dimensiones.....9
 MODELO VG06069XXX36
 MODELO VG06069XXX38
 MODELO VG06069XXX40
 MODELO VG06069XXX42
 MODELO VG06069XXX47

Diagramas para el refuerzo apropiado y una instalación típica.....10

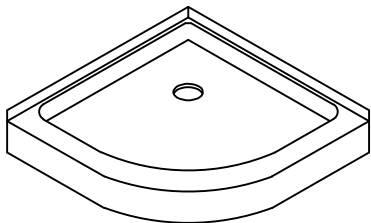
Instrucciones de instalación de la base de la ducha.....11

Instrucciones de instalación de la base de la ducha.....12

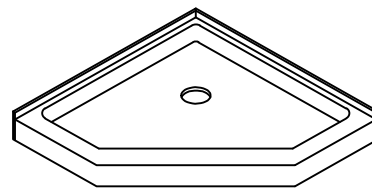
Solución de problemas, cuidado y mantenimiento.....13

Garantía limitada de la base de ducha.....14

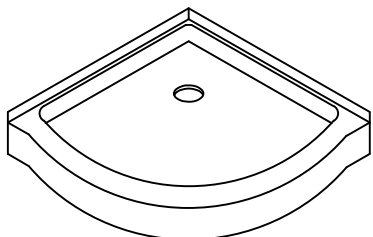
MODELOS, NOTAS PARA EL INSTALADOR, PAUTAS PARA LA INSPECCIÓN



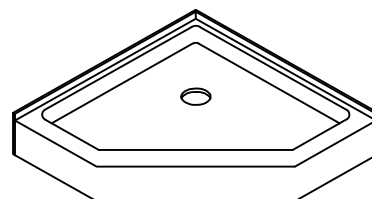
MODELO VG06029



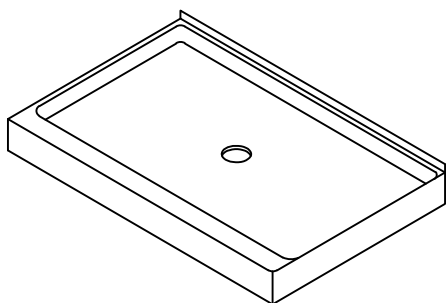
MODELO VG06068



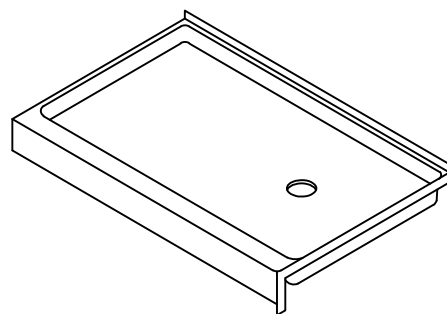
MODELO VG06039



MODELO VG06069



MODELO VG06049



MODELO VG06019

Gracias por comprar la base de ducha Vigo.

Para lograr mejores resultados, sírvase leer y seguir todas las instrucciones con cuidado.

Vigo recomienda que sea un profesional calificado y capacitado quien instale las piezas mostradas

PLANIFICACIÓN PREVIA A LA INSTALACIÓN

No guarde la base al aire libre. Es importante mantenerla lejos del alcance de la luz solar directa y no exponerla a las condiciones del tiempo.

Es importante repasar con atención estos procedimientos antes de comenzar para evitar problemas innecesarios que conduzcan a una instalación incorrecta y puedan provocar daños importantes.

NOTA: todos los dibujos de las presentes instrucciones representan la base individual y pueden verse diferentes a la base real que esté instalándose. Además, en las instrucciones pueden mostrarse elementos necesarios para la instalación. Dichos elementos pueden adquirirse por separado.

Notas especiales para el instalador


- Es responsabilidad exclusiva del instalador
- Todos los documentos que vienen con la base y las
- Todas las dimensiones publicadas de la base se
- **Cualquier modificación que se le haga a la base y no esté entre las más información en la sección de garantía limitada de la base de ducha)**

Pautas de inspección

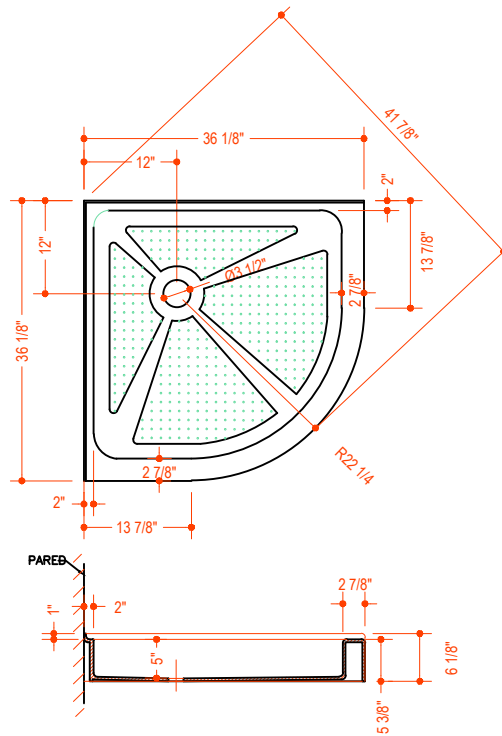
En el momento de recibir la base, debe **inspeccionársela con detenimiento. Si surge algún inconveniente o problema durante dicho proceso, notifíquese de inmediato a su proveedor. NO INSTALE NINGUNA BASE SIN PRIMERO TRATAR LOS INCONVENIENTES QUE SURJAN DURANTE LA INSPECCIÓN**

Verificación del módulo básico

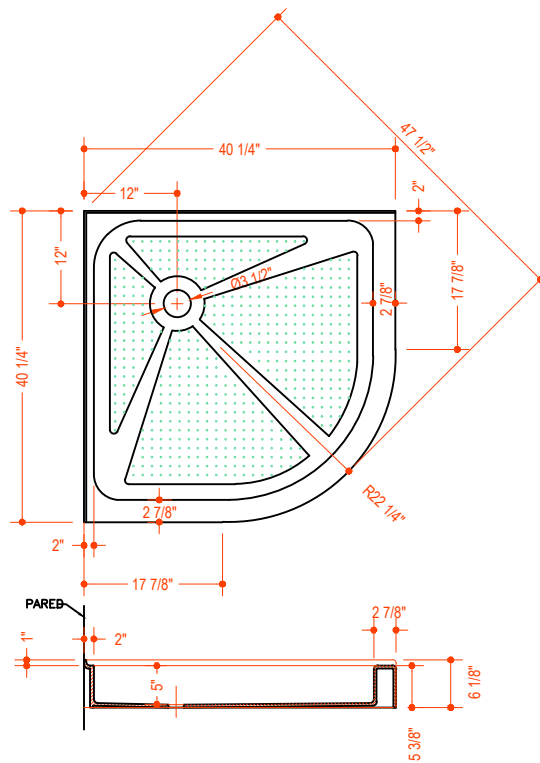
- **Verifique que el desagüe de la base se corresponda con la ubicación del desagüe del baño.**
- **Verifique si la superficie de la base está dañada.**
- **Verifique que el color de la base sea aceptable.**

 = Nota importante y debe tratársela como tal

DIMENSIONES DEL MODELO VG06029

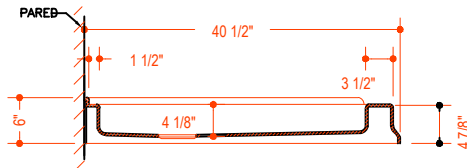
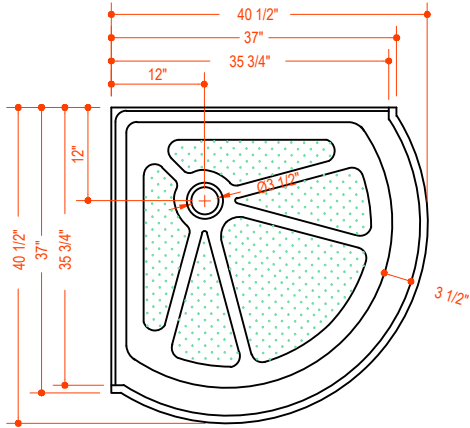


MODELO VG06029XXX36

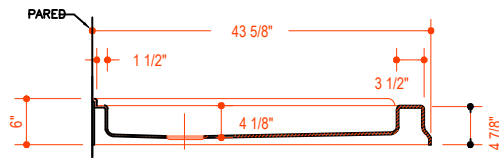
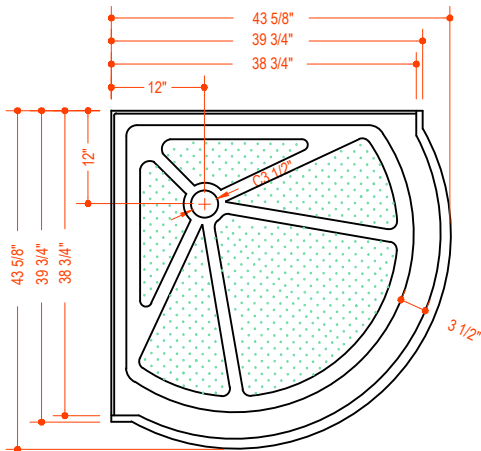


MODELO VG06029XXX40

DIMENSIONES DEL MODELO VG06039



MODELO VG06039XXX36

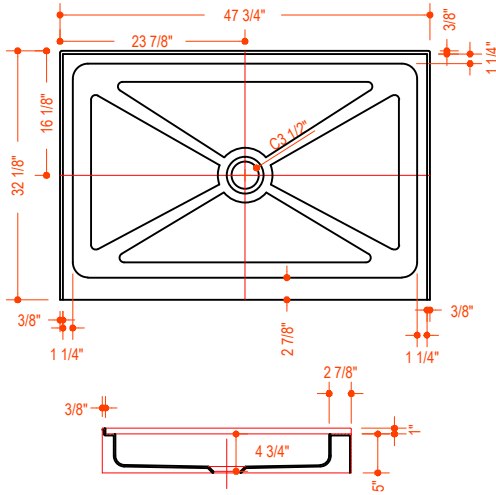


MODELO VG06039XXX40

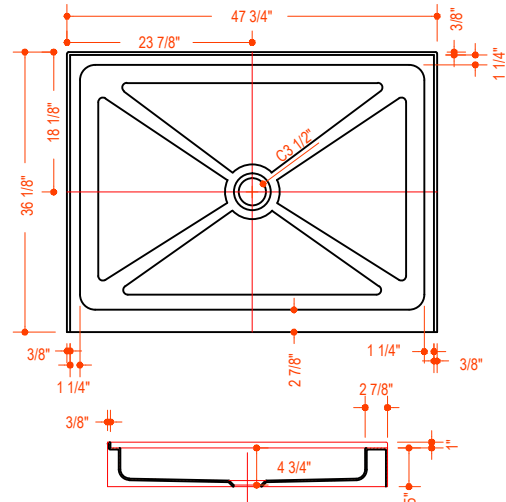
PAUTAS PARA LA INSTALACIÓN DE LA BASE

BASE DE DUCHA

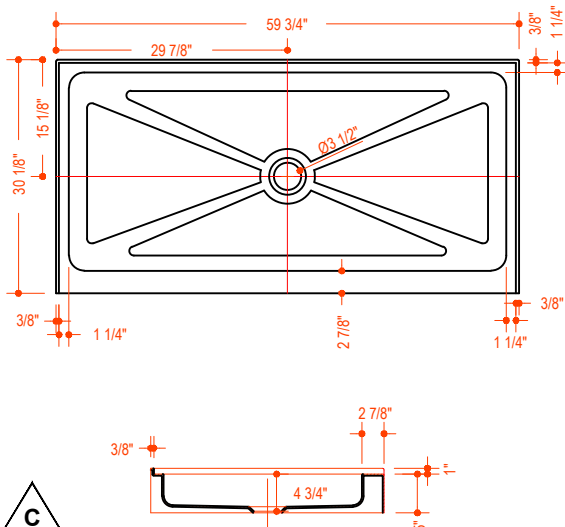
DIMENSIONES DEL MODELO VG06049



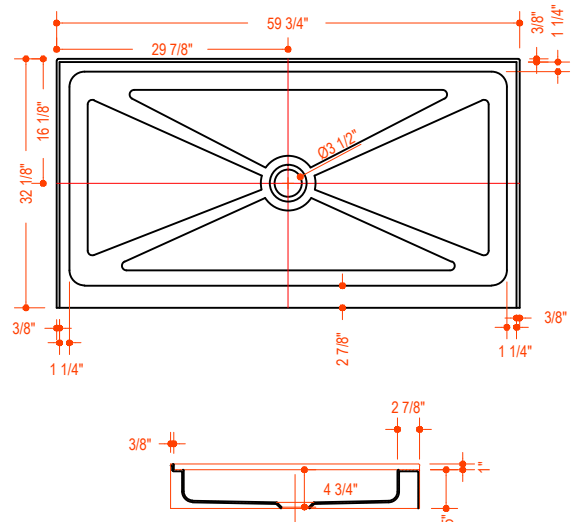
MODELO VG06049XXX4832C



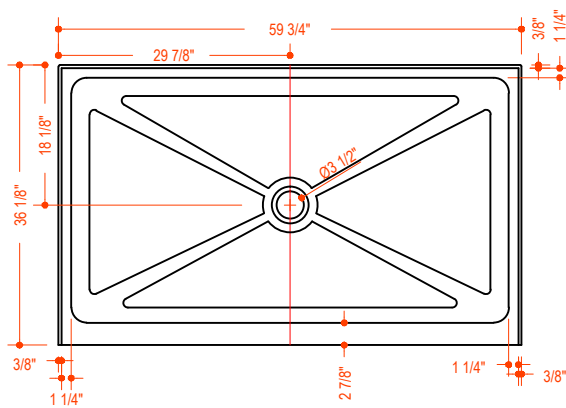
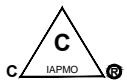
MODELO VG06049XXX4836C



MODELO VG06049XXX6030C

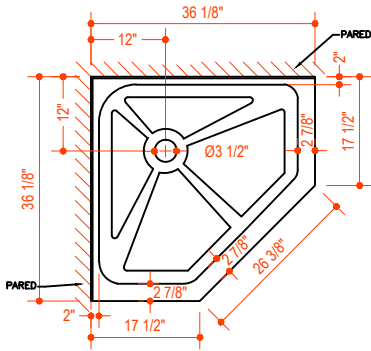


MODELO VG06049XXX6032C

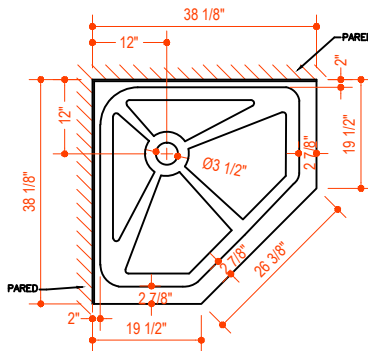


MODELO VG06049XXX6036C

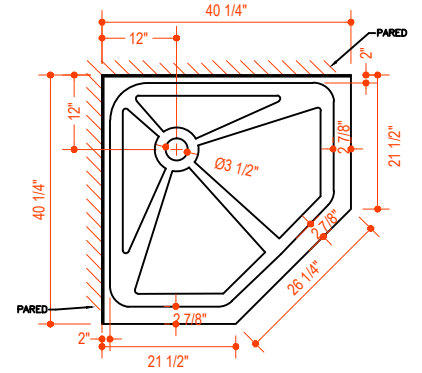
DIMENSIONES DEL MODELO VG06068



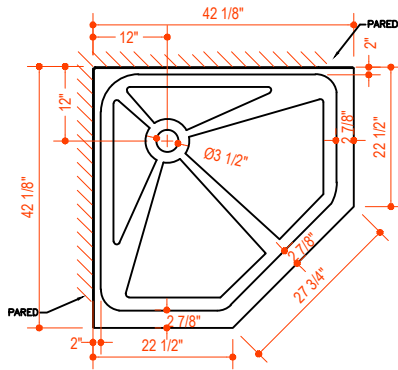
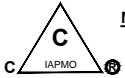
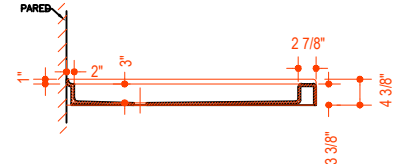
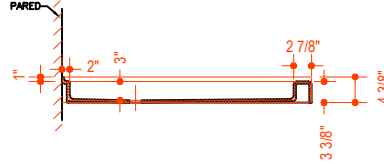
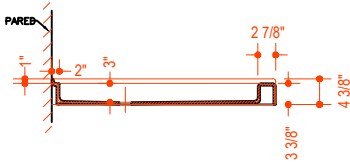
MODELO VG06068XXX3636



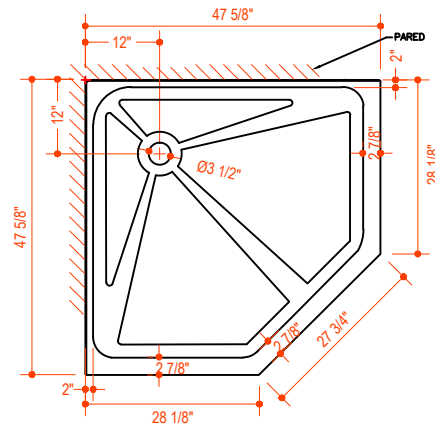
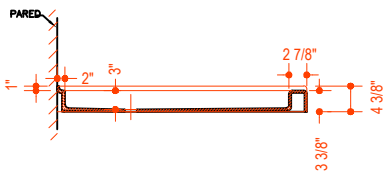
MODELO VG06068XXX3838



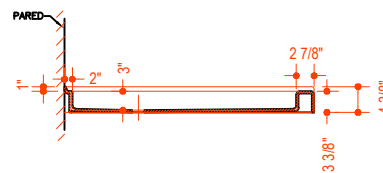
MODELO VG06068XXX4040



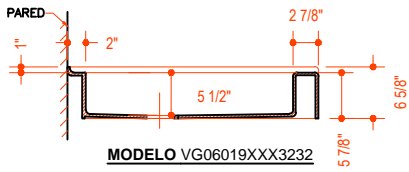
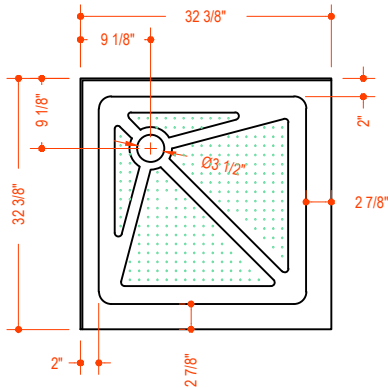
MODELO VG06068XXX4242



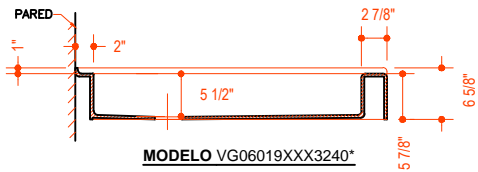
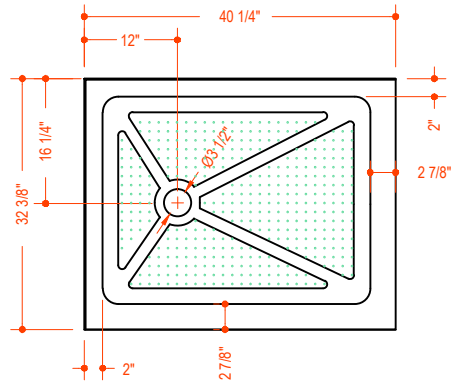
MODELO VG06068XXX4747



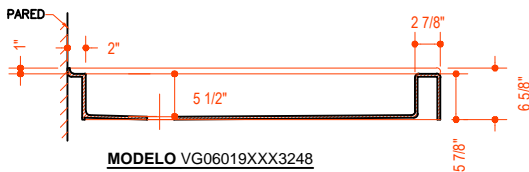
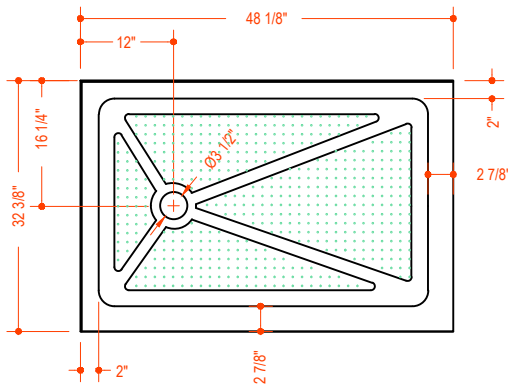
DIMENSIONES DEL MODELO VG06019



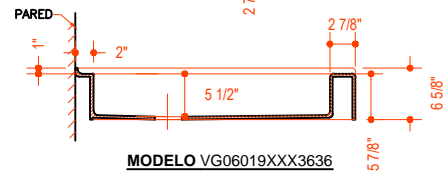
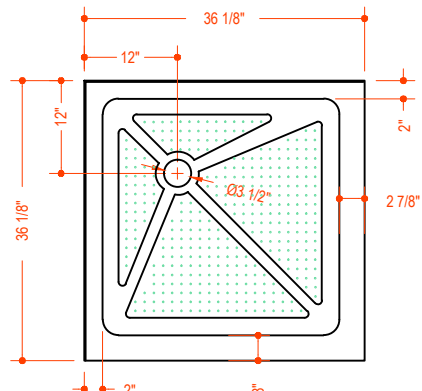
MODELO VG06019XXX3232



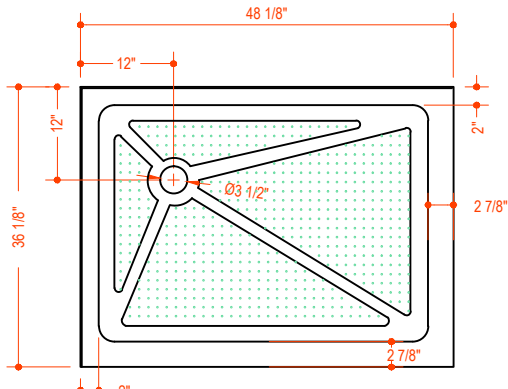
MODELO VG06019XXX3240*



MODELO VG06019XXX3248



MODELO VG06019XXX3636

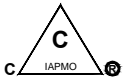
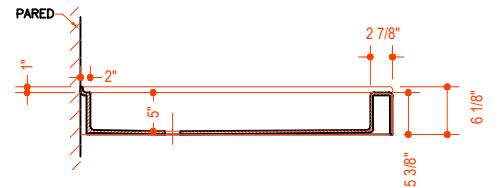
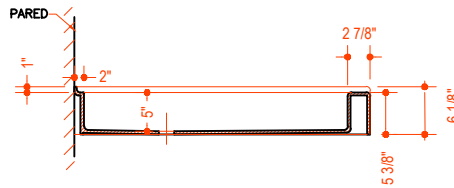
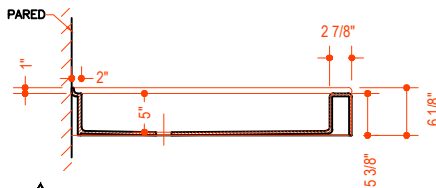
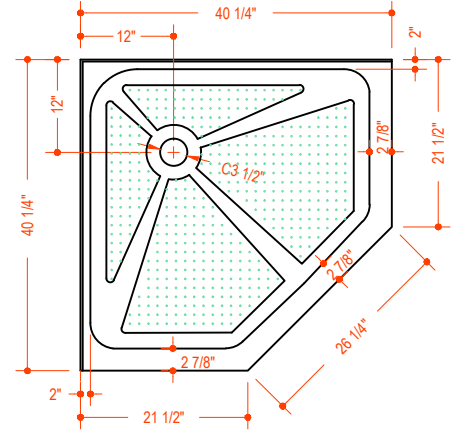
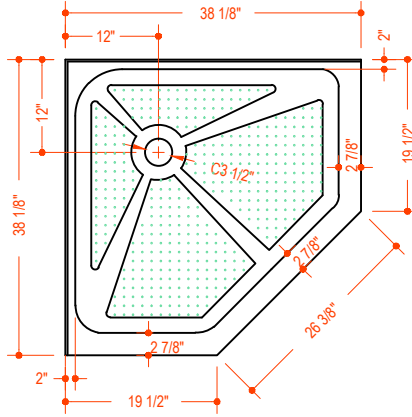
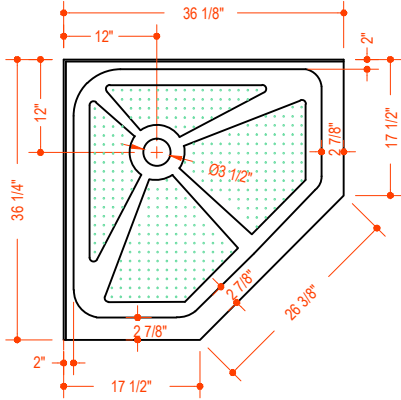


MODELO VG06019XXX3648

PAUTAS PARA LA INSTALACIÓN DE LA BASE

BASES DE DUCHA

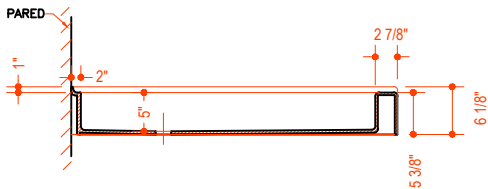
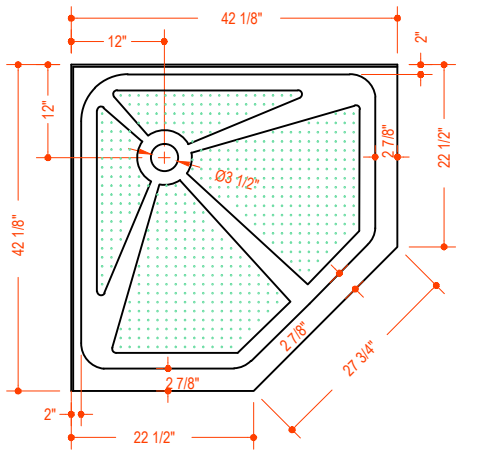
DIMENSIONES DEL MODELO VG06069



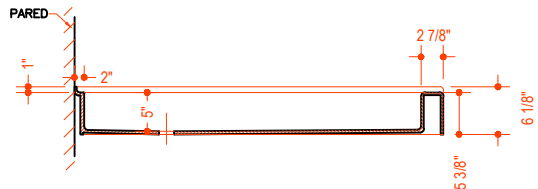
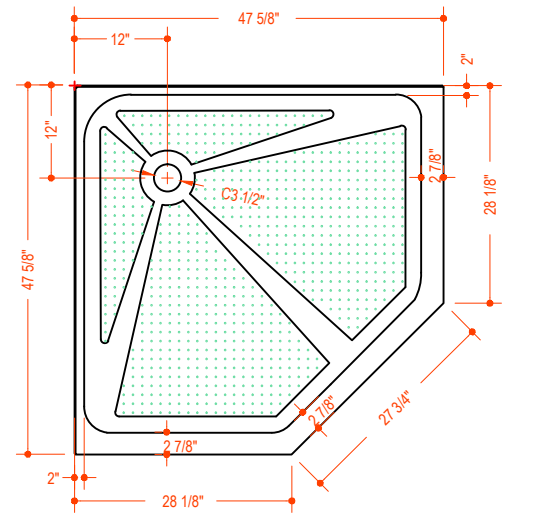
MODELO VG06069XXX36

MODELO VG06069XXX38

MODELO VG06069XXX40



MODELO VG06069XXX42



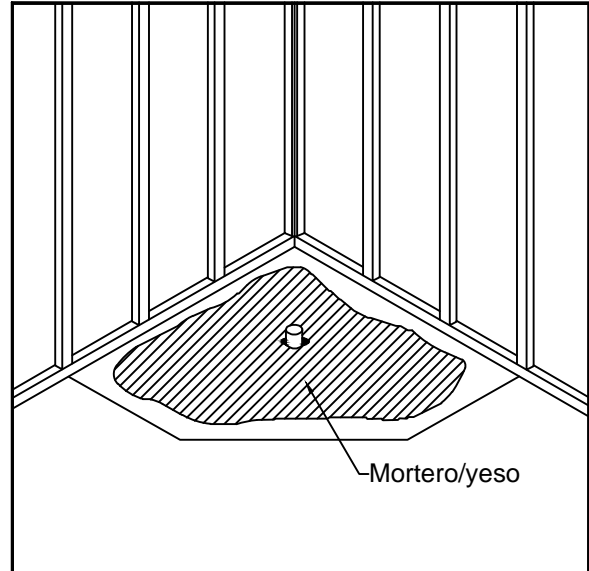
MODELO VG06069XXX47

DIAGRAMAS PARA EL REFUERZO APROPIADO Y UNA INSTALACIÓN TÍPICA



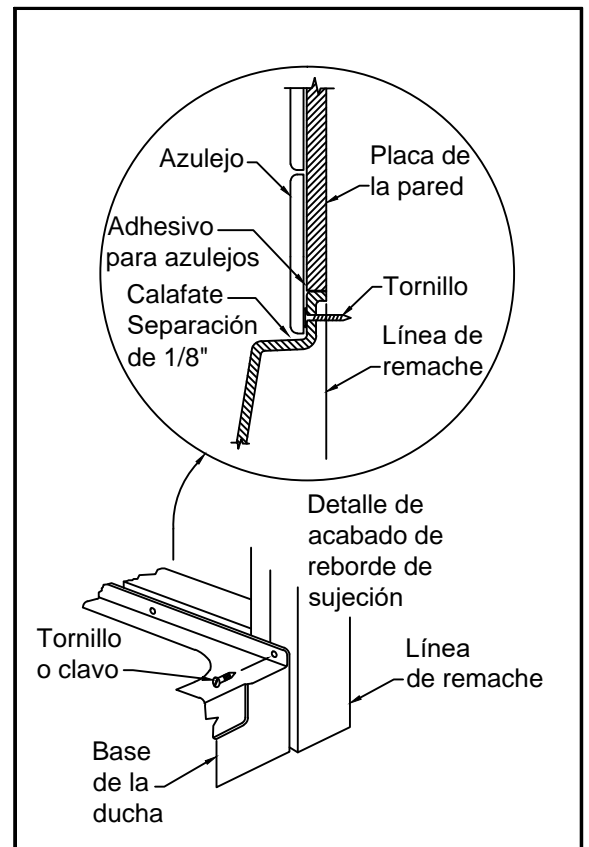
NOTA IMPORTANTE

Asegúrese de utilizar el producto de base adecuado para el refuerzo (mortero/yeso) debajo de la base antes de la instalación. Báse en los requisitos correspondientes de construcción que pueden verse modificados por la antigüedad o la ubicación de la vivienda. Si no se utiliza un refuerzo adecuado, es posible que su base no tenga un rendimiento acorde a su límite de peso nominal, lo cual puede producir lesiones a personas o daños a la propiedad.



NOTA IMPORTANTE

El diagrama de la derecha representa una instalación típica. No obstante, según sus circunstancias individuales, es posible que sea necesario modificar esta instalación. Asegúrese de que toda la construcción cumpla con los códigos de construcción necesarios, sean locales, municipales o de otro tipo.



INSTRUCCIONES DE INSTALACIÓN DE LA BASE DE DUCHA

1) Vigo no incluye ningún accesorio de desagüe ni sifón con la base de ducha marca Vigo.

2) Nota importante: sírvase revisar en las instrucciones del fabricante de su desagüe específico cómo instalarlo como corresponde y seguir el código de plomería aceptable local.

3) Antes de comenzar con la instalación, es importante que el piso y todo el encofrado estén parejos y nivelados.

Procedimiento de instalación

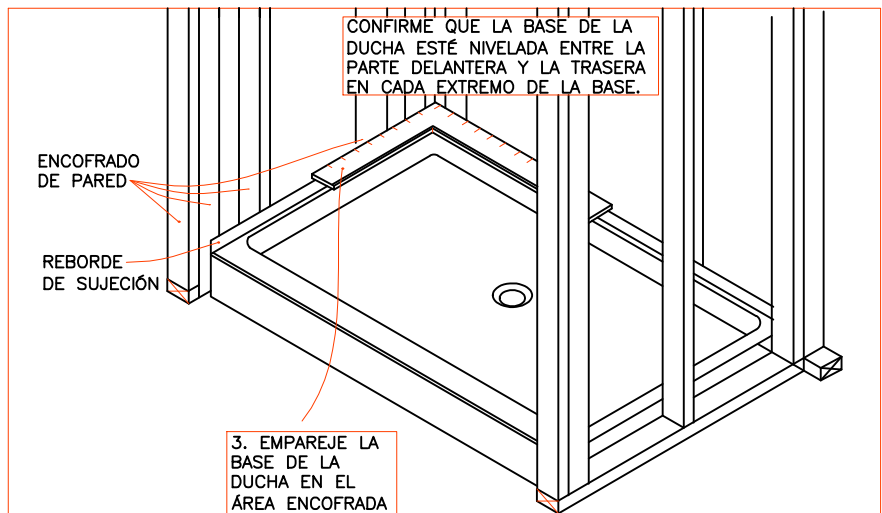
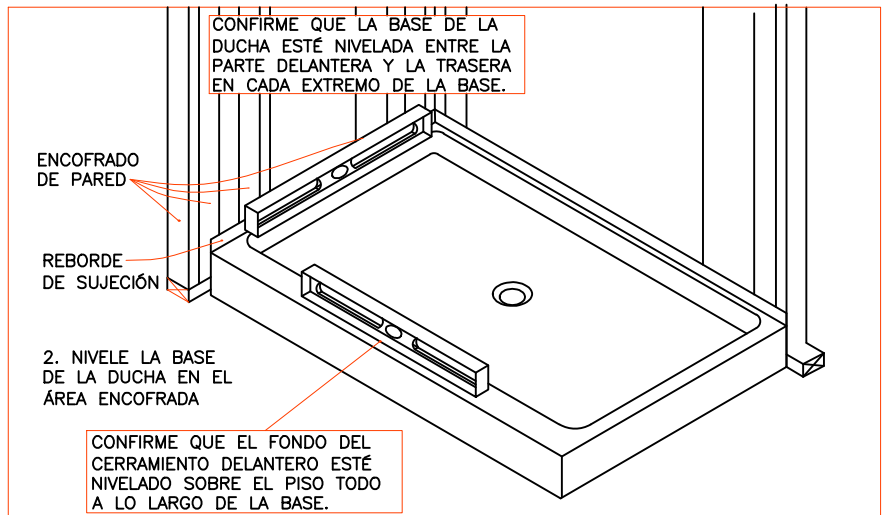
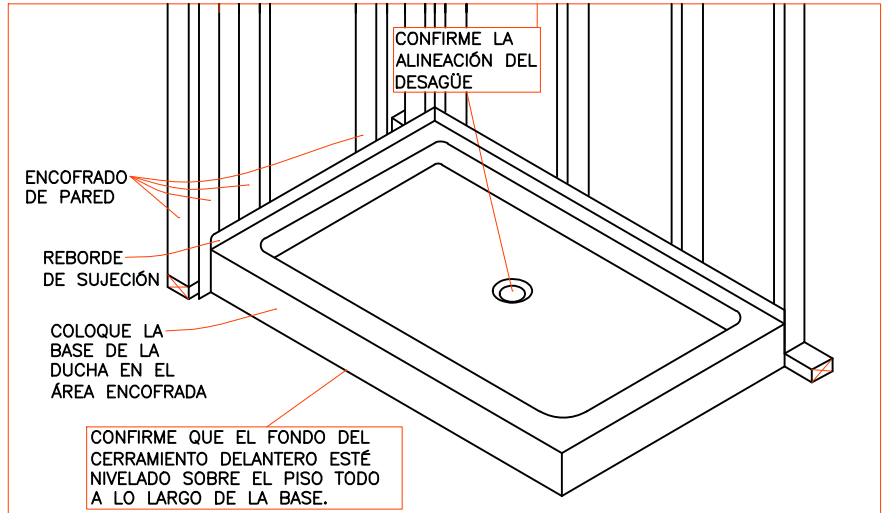
4) Disponga la base en la ubicación final en la que desee colocarla y antes de la instalación final verifique los siguientes detalles:

(Figura 2a, 2b y Figura 2c);

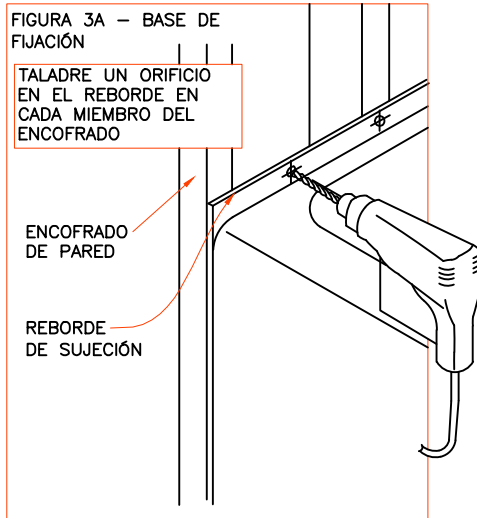
- Confirme que el cerramiento esté nivelado con el piso.
- Confirme la ubicación del desagüe.
- Confirme que la parte superior de la base esté nivelada en todos sus lados.
- Confirme que la base esté pareja con la estructura del hueco.
- Confirme que la esquina interior delantera esté aplomada en cada extremo. (Esto es decisivo para la instalación adecuada de la caja.)
- Toda la plomería y el desagüe deben instalarse antes de fijar la unidad de la ducha para asegurarse de que su posicionamiento sea el correcto.

La base debe colocarse pareja en la estructura del hueco. Es posible que sea necesario utilizar una cuña o material de relleno detrás del reborde de sujeción de cada miembro del encofrado para mantener la base en la posición adecuada.

Después de haber confirmado que la base está nivelada y pareja en



INSTRUCCIONES DE INSTALACIÓN DE LA BASE DE DUCHA

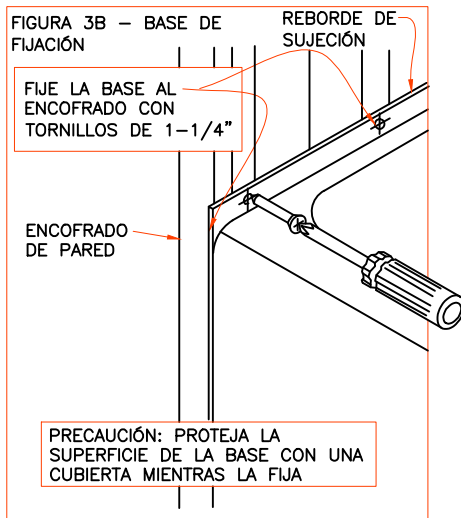


PRECAUCIÓN: es aconsejable proteger la

Antes de comenzar con el acabado de la caja asegúrese de que en la base no queden escombros que puedan dañarla.

Acabado posterior a la instalación

Es posible que sea necesario utilizar enrastrelado o material de relleno (Figura 4).



Se recomienda utilizar un refuerzo resistente al agua en las áreas que rodean la base. Deje una separación de entre 1/16 y 1/8 de pulgada desde la superficie de la base y llene el espacio con un reborde continuo de sellador impermeable.

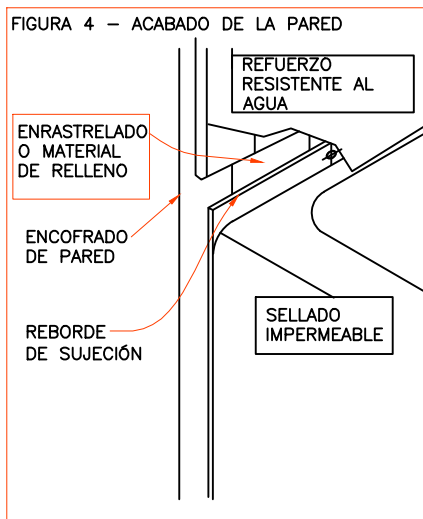
Ajuste con cuidado el refuerzo cerca de la base para evitar dañar la superficie de la base. Selle las juntas y los bordes del refuerzo, según sea necesario, e instale el material de acabado según las especificaciones. (Figura 4).



ADVERTENCIA
NUNCA APLIQUE LIMPIADORES O MATERIALES ABRASIVOS, ÁCIDOS O SOLVENTES A LA

Con el uso de rutina, la superficie de la base puede acumular restos de jabón, aditivos para baño y aceites naturales del cuerpo. También pueden acumularse minerales o partículas que se encuentran en el agua.

Después de cada uso, elimine el exceso de agua de la base. Dicha costumbre reducirá la acumulación de depósitos y contribuirá a mantener el brillo natural de la base.



SOLUCIÓN DE PROBLEMAS

PROBLEMA	CAUSA POTENCIAL	MEDIDA CORRECTIVA
1 - Después de la instalación, si la base se dobla cuando se la pisa	1 - No se utilizó suficiente refuerzo	1 - El contratista debe sacar y reinstalar la base con la cantidad de refuerzo apropiado
2 - El desagüe de la base no funciona	2 - La base no se instaló nivelada	2 - Verifique la inclinación con un nivel y reinstálela como corresponda
3 - El orificio del desagüe está en la esquina incorrecta según la ubicación deseada	3 - Se pidió la base incorrecta	3 - Consulte con su vendedor de Vigo los métodos de solución

CUIDADO Y MANTENIMIENTO

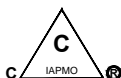
- Limpieza de rutina: Se recomienda utilizar limpiador suave y no abrasivo, con fórmula específica para superficies de gelcoat y acrílico. (Enjuague a fondo la superficie.)
- Depósitos intensos de jabón: limpiador doméstico líquido con amoníaco, aplicado sin diluir. (Enjuague a fondo la superficie.)
- Manchas difíciles: limpiador doméstico líquido o peróxido de hidrógeno, aplicado sin diluir. Coloque un trapo limpio empapado directamente sobre la mancha y déjelo actuar durante varias horas. (Enjuague a fondo la superficie.)
- Acumulación intensa de sarro: antisarro líquido o vinagre blanco, aplicado sin diluir. (Enjuague a fondo la superficie.)
- Moho: antimoho líquido o bicarbonato de sodio y pasta al agua. Aplique la pasta y déjela actuar durante varios minutos. (Enjuague a fondo la superficie.)

NÚMERO GRATUITO: (866) 591 - 7792

Dirección de correo electrónico:
techmail@vigoindustries.com

www.vigoindustries.com

VIGO



EN VIGENCIA DESDE EL 1° DE ENERO DE 2010

VIGO ofrece la siguiente garantía limitada por todos sus productos de base de ducha* (el Producto). La presente garantía sólo rige para el propietario o usuario final originales y por el uso personal doméstico. En el caso de usos comerciales, rigen otras limitaciones.

VIGO garantiza que el Producto carecerá de defectos de mano de obra y materiales en condiciones normales de uso y servicio durante un período de dos (2) años a partir de la fecha de compra inicial por parte del propietario/usuario final, contratista o constructor a VIGO o a un distribuidor autorizado de VIGO.

Teniendo en cuenta las condiciones de reparación cubierta por la garantía indicadas más abajo, todos los productos que sean objeto de reclamo ante un distribuidor autorizado o ante VIGO por ser defectuosos dentro del periodo de garantía se repararán o reemplazarán (por un producto de valor equivalente) a discreción de VIGO. La presente garantía rige para el propietario o usuario final originales y no es transferible a propietarios posteriores.

Ni el mayorista, ni el distribuidor autorizado de VIGO ni otras personas tienen autorización para hacer afirmación o declaración algunas u ofrecer garantía alguna que no estén contenidas en la presente garantía. Cualquier afirmación, declaración o garantía no contenidas en la presente no podrán hacerse valer ante VIGO o ante otras personas.

VIGO se reserva el derecho de modificar la presente garantía en cualquier momento y se entiende que dichas modificaciones no alterarán las condiciones de la garantía aplicables en el momento de la venta de los productos en cuestión.

Limitaciones

La presente garantía no regirá en casos de procedimientos incorrectos, rupturas o daños provocados por fallos debidos a instalación inadecuada, falta de cuidado, abuso, mal uso, uso indebido, mantenimiento inadecuado o alteración del Producto así como por corrosión química o natural, accidentes, incendios, inundaciones, fuerza mayor o alguna otra casualidad. Evite usar limpiadores abrasivos, lanas de acero y productos químicos fuertes dado que rayan, dañan u opacan el producto o el acabado y anulan la garantía. El propietario/usuario final del Producto cubierto por la presente garantía es por completo responsable por la instalación adecuada y toda la plomería o el cableado eléctrico necesarios. VIGO no instala ni supervisa la instalación ni subcontrata con dicho fin a contratista alguno. Por ende, no puede considerársela responsable por cualquier defecto, ruptura o daño provocado por la instalación o que resulte de ella, tanto de manera directa como de manera indirecta.

El propietario/usuario final debe brindar acceso a los componentes del Producto tal como se describe en la guía de instalación de manera que VIGO pueda cumplir con la garantía especificada en la presente. En caso de no contar con dicho acceso, todos los gastos para proporcionarlo serán responsabilidad del propietario/usuario final.

La presente garantía no rige para Productos que no se hayan instalado o utilizado según las instrucciones suministradas por VIGO y todas las reglas, normas y legislación aplicables sobre dichas instalaciones.

La presente garantía no tiene vigencia a menos que sean profesionales con licencia y seguro completos quienes instalen el Producto de VIGO. VIGO recomienda con especial énfasis que dichos profesionales licenciados cuenten con experiencia en la instalación de productos de baño y cocina. La instalación de ciertos productos, incluidos, entre otros, productos de vidrio (es decir, puertas de duchas y lavabos de vidrio) por parte de personas sin experiencia puede provocar ruptura del vidrio y, por ende, lesiones personales o la muerte.

VIGO no se hace responsable por lesiones personales o muerte de persona alguna o por daños directos, especiales, accidentales o resultantes, pérdida de tiempo, pérdida de ganancias, inconvenientes, gastos accidentales, honorarios por mano de obra, gastos en materiales o demás costos que sean consecuencia del uso del producto o del equipo o relacionados con la aplicación de la presente garantía o provocados por la extracción o el cambio de algún producto o elemento o pieza cubiertos por la presente garantía.

CON EXCEPCIÓN DE LO ESTIPULADO MÁS ARRIBA, VIGO NO OFRECE GARANTÍA ALGUNA, EXPRESA O IMPLÍCITA, INCLUIDAS GARANTÍAS DE COMERCIABILIDAD Y ADECUACIÓN A UN USO PARTICULAR O CUMPLIMIENTO CON CÓDIGO ALGUNO.

En ningún caso puede considerarse a VIGO responsable por monto alguno superior al precio de compra que el propietario/usuario final, contratista o constructor abonaran por el Producto.

Limitaciones comerciales

Además de las condiciones y limitaciones precedentes, el período de garantía de los productos instalados para aplicaciones comerciales o utilizados en locales comerciales es de un (1) año desde la fecha de compra inicial por parte del propietario/usuario final, contratista o constructor a un distribuidor autorizado. VIGO no se hace responsable por pérdidas funcionales o de ganancias bajo ninguna circunstancia. Si el producto se utiliza para su exhibición, el período de garantía comienza cuando el producto se pone en exhibición. La presente garantía otorga al propietario/usuario final derechos legales específicos. El propietario/usuario final también puede tener otros derechos que pueden variar según el estado o la provincia.

Reparación cubierta por la garantía

Para obtener la reparación contemplada por la presente garantía durante el horario comercial regular, comuníquese con el distribuidor o el mayorista que le vendió la base o directamente con VIGO. VIGO proporcionará la reparación cubierta por la garantía que se describe más arriba cuando se cumpla con las siguientes condiciones: cuando el fallo sea de la naturaleza o el tipo cubiertos por la garantía; cuando el usuario haya informado a un agente autorizado de VIGO o a un representante del departamento de reparaciones cubiertas por la garantía de VIGO sobre la naturaleza del problema durante el período de garantía; cuando el usuario proporcione pruebas concluyentes (por ejemplo, comprobante de compra o instalación) de lo precedente donde se muestre que el fallo se produjo o se descubrió dentro del período de garantía; cuando se haya permitido a una persona o a una empresa independientes y autorizadas que brinden servicios de reparación inspeccionar el producto durante el horario comercial regular dentro de un tiempo razonable después de que el usuario haya comunicado el problema. La obligación de garantía de VIGO quedará terminada en el momento de la propuesta de cambio o reparación. Si el cliente no rehúsa a aceptar la propuesta, las obligaciones de garantía de VIGO notarán más vigencia.

*La aprobación de ciertos modelos está pendiente. VIGO o las agencias de certificación pueden dar por finalizada la certificación sin previo aviso.