

VIGO INDUSTRIES INSTALLATION GUIDE FOR SHOWER ENCLOSURE (MODEL VG06045)

SAFETY PRECAUTIONS

This Installation Guide uses the following symbols to indicate important information. Always observe the instructions indicated by these symbols.

WARNING

Instructions that, if ignored, could result in death or serious personal injury caused by incorrect handling or installation of the product. These instructions must be observed for safe installation.

IMPORTANT

Maintenance and other important non-personal injury and non-material damage instructions or statements that should be observed.

It is highly advised to dry fit the unit prior to any installation.

*VIGO reserves the right to modify/update all hardware and glass components based on bettering the product for the end user's experience. If you have any questions contact VIGO Tech Support at 1-866-591-7792.

MODEL VG06045 RYLAND

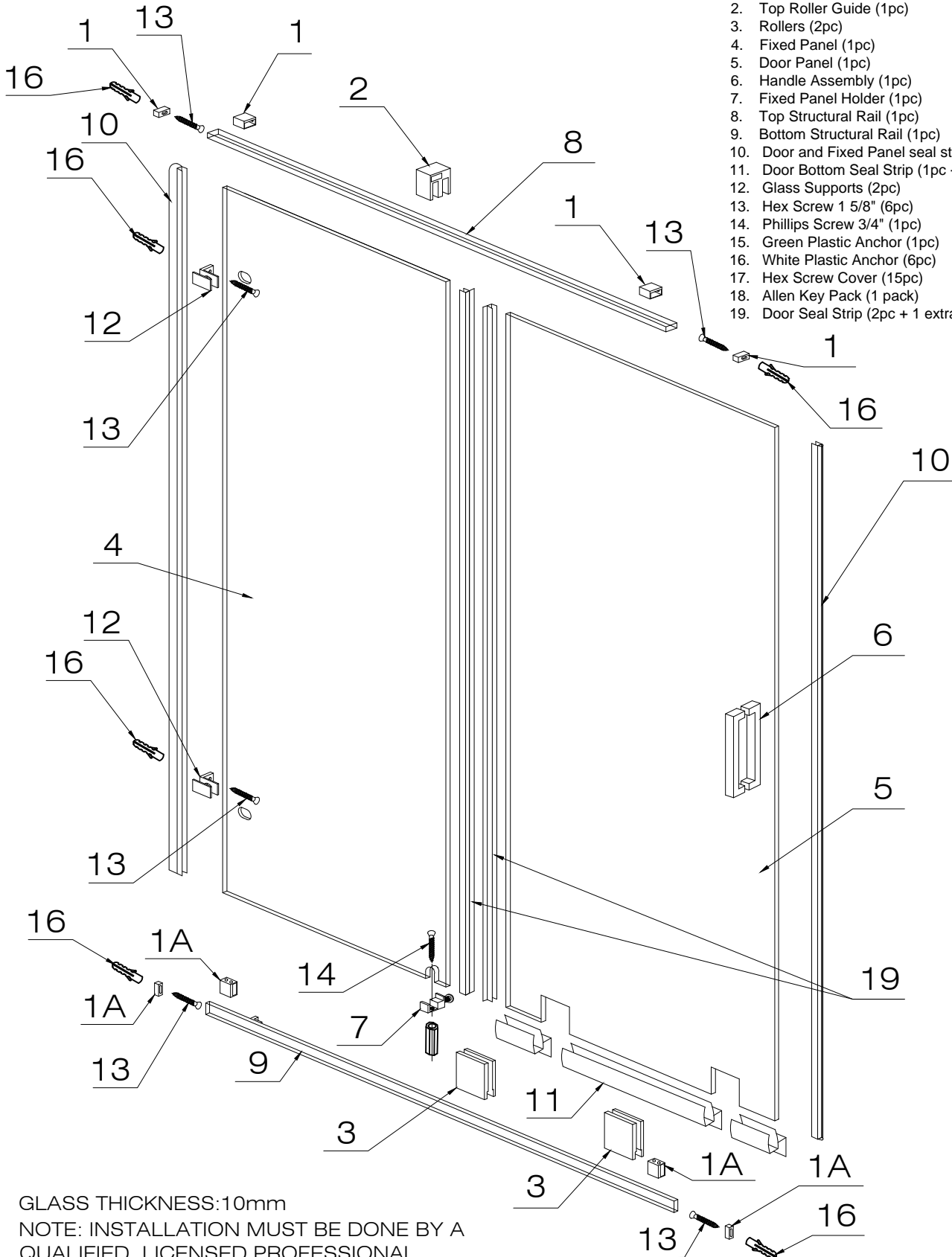


INSTALLATION INSTRUCTIONS FOR STANDING SHOWER CABIN

PLEASE READ INSTRUCTIONS BEFORE PROCEEDING

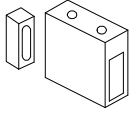
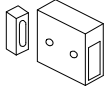
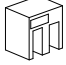
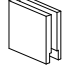
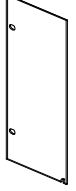
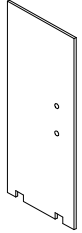
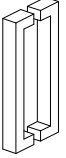
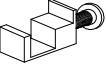
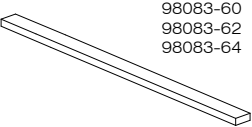
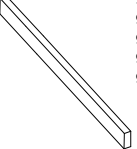
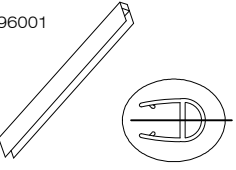
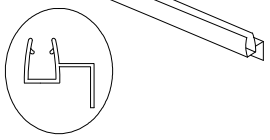
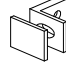


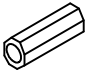
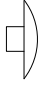
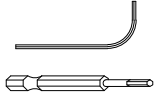
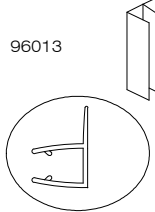
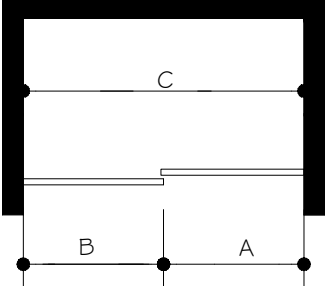
Parts List

- 1. Top Wall Mount Bracket Assembly (2pc)
- 1A. Bottom Wall Mount Bracket Assembly (2pc)
- 2. Top Roller Guide (1pc)
- 3. Rollers (2pc)
- 4. Fixed Panel (1pc)
- 5. Door Panel (1pc)
- 6. Handle Assembly (1pc)
- 7. Fixed Panel Holder (1pc)
- 8. Top Structural Rail (1pc)
- 9. Bottom Structural Rail (1pc)
- 10. Door and Fixed Panel seal strip (2pc)
- 11. Door Bottom Seal Strip (1pc + 1 extra)
- 12. Glass Supports (2pc)
- 13. Hex Screw 1 5/8" (6pc)
- 14. Phillips Screw 3/4" (1pc)
- 15. Green Plastic Anchor (1pc)
- 16. White Plastic Anchor (6pc)
- 17. Hex Screw Cover (15pc)
- 18. Allen Key Pack (1 pack)
- 19. Door Seal Strip (2pc + 1 extra)



GLASS THICKNESS: 10mm

NOTE: INSTALLATION MUST BE DONE BY A QUALIFIED, LICENSED PROFESSIONAL.

<p>1. TOP WALL MOUNT BRACKET ASSEMBLY 98078</p> 	<p>1A. BOTTOM WALL MOUNT BRACKET ASSEMBLY 98086</p> 	<p>2. TOP ROLLER GUIDE 98079</p> 	<p>3. ROLLERS 98080</p> 	<p>4. FIXED PANEL 97030-48 97030-50 97030-60 97030-62 97030-64</p> 
<p>5. DOOR 97031-48 97031-50 97031-60 97031-62 97031-64</p> 	<p>6. HANDLE ASSEMBLY 98081</p> 	<p>7. FIXED PANEL HOLDER 98082</p> 	<p>8. TOP STRUCTURAL RAIL 98083-48 98083-50 98083-60 98083-62 98083-64</p> 	<p>9. BOTTOM STRUCTURAL RAIL 98084-48 98084-50 98084-60 98084-62 98084-64</p> 
<p>10. DOOR AND FIXED PANEL SEAL STRIP 96001</p> 	<p>11. DOOR BOTTOM SEAL STRIP 96021</p> 	<p>12. GLASS SUPPORTS 98085</p> 	<p>13. HEX SCREW 1 5/8" 98039</p> 	<p>14. PHILLIPS SCREW 3/4" 98033</p> 
<p>15. GREEN PLASTIC ANCHOR 98037</p> 	<p>17. HEX SCREW COVER 96040</p> 	<p>18. ALLEN KEY PACK MISC</p> 	<p>19. DOOR SEAL STRIP 96013</p> 	

* - WITH HARDWARE AND WITHOUT SHOWER BASE (FULLY INSTALLED)

MODEL	DIMENSION "A" (DOOR)	DIMENSION "B" (FIXED PANEL)	ADJUSTABLE DIMENSION "C" (WIDTH)	HEIGHT	DOOR OPENING WIDTH
VG06045XX4873	26 1/2" x 71 1/2"	23 3/8" x 72 3/4"	46"-48"	72 3/4"	21 1/4"
VG06045XX5073	27 1/2" x 71 1/2"	24 3/8" x 72 3/4"	48"-50"	72 3/4"	22 1/4"
VG06045XX6073	32 1/2" x 71 1/2"	29 3/8" x 72 3/4"	58"-60"	72 3/4"	27 1/4"
VG06045XX6273	33 1/2" x 71 1/2"	30 3/8" x 72 3/4"	60"-62"	72 3/4"	28 1/4"
VG06045XX6473	34 1/2" x 71 1/2"	31 3/8" x 72 3/4"	62"-64"	72 3/4"	29 1/4"

A & B DIMENSIONS WERE MEASURED AFTER SHOWER ENCLOSURE WAS COMPLETELY INSTALLED

⊘ **Product lines may change, contact your Vigo representative at 1-866-591-7792 or visit our website at www.vigoindustries.com for the most up to date product line information.**

⚠ WARNING

VIGO STRONGLY RECOMMENDS THIS INSTALLATION BE COMPLETED BY A LICENSED PROFESSIONAL. INSTALLATION OF DOOR UNIT REQUIRES AT LEAST TWO PEOPLE.

INSTALLATION OF THE SHOWER DOORS BY AN INEXPERIENCED PERSON MAY RESULT IN GLASS BREAKAGE AND CONSEQUENTLY, CAUSE PERSONAL INJURY OR DEATH.

- Handle fragile items with care to prevent personal injury or material damage.
- The glass panels are tempered and cannot be cut. Never attempt to do so.
- Always rest glass on a level surface

BEFORE STARTING

Compare items on your invoice with what you have received. Carefully review the Parts List on page 2. If any items are missing, please call Vigo Industries at 1-866-591-7792. Please check our website at www.vigoindustries.com for additional information or instructional videos.

REQUIRED TOOLS:

- Square and/or Phillips #1 and #2 screwdriver
- Flat head screwdriver
- Electric drill; 1/4" drill bit (According to wall)
- Level
- Measuring tape
- Non permanent pencil
- Clear silicone caulking
- Utility knife; Hacksaw

⊘ IMPORTANT

- Fiberglass, acrylic or sheetrock construction might not be sufficiently strong enough to support the shower door enclosure. You should use the wood framing from behind the face edge of the stall to provide a secure mounting to the door. Apply a bead of silicone between the walls and base of the stall.
- For optimum performance, you should install the shower door perfectly level on a level surface. By not leveling the unit during construction the unit may leak causing possible water damage.

PLEASE NOTE:

THE CLEAR GLASS MODEL HAS A REVERSIBLE DOOR AND CAN BE INSTALLED TO THE RIGHT OR LEFT SIDE. (SEE CONFIGURATION DIAGRAM BELOW)

BEFORE INSTALLATION

If needed, remove the plastic layer of the base border. Do not remove the plastic layer off the plastic platform of the base. Wall and base joints must be siliconed properly. To fit shower door into your opening cut structural rail on door side only!

See suggestion of configuration below.

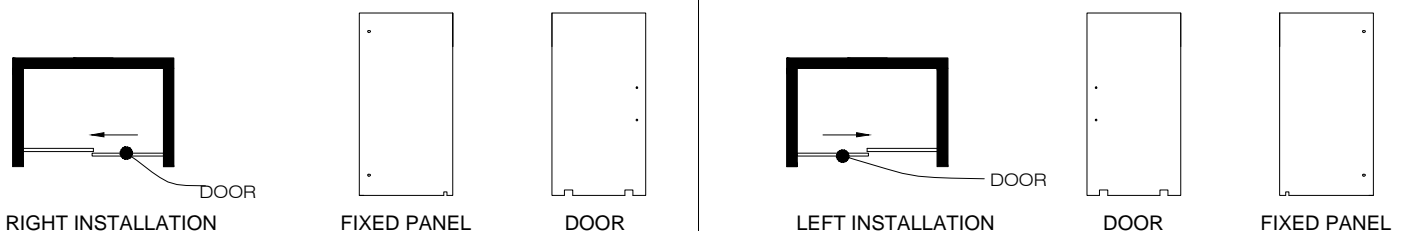


FIG. 1A (GLASS CONFIGURATION DIAGRAM)

⊘ **IMPORTANT**

- Verify that the overall size of the shower door opening is appropriate for the shower enclosure.
- Due to individual site variations, exact guidelines for every situation cannot be supplied. The recommended framing and dimensional requirements are shown for a typical application and may vary depending on the site requirements.
- To prevent damage to the finish, you should protect the shower cabin bottom with a cardboard protector before beginning the installation.
- Ensure that there is sufficient structural support behind the shower wall to hold the weight of the shower door. If there is insufficient enough support, then reinforce the shower walls with wooden studs prior to shower door installation.

[SEE FIG. 1]

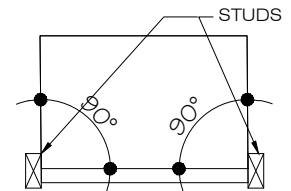
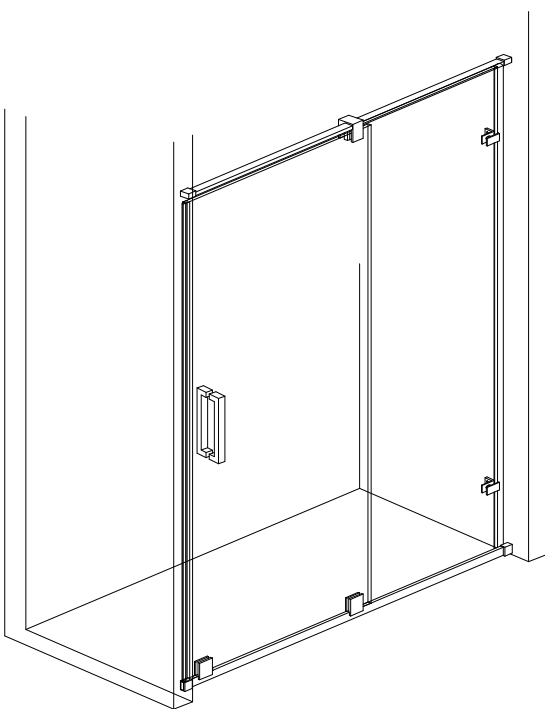
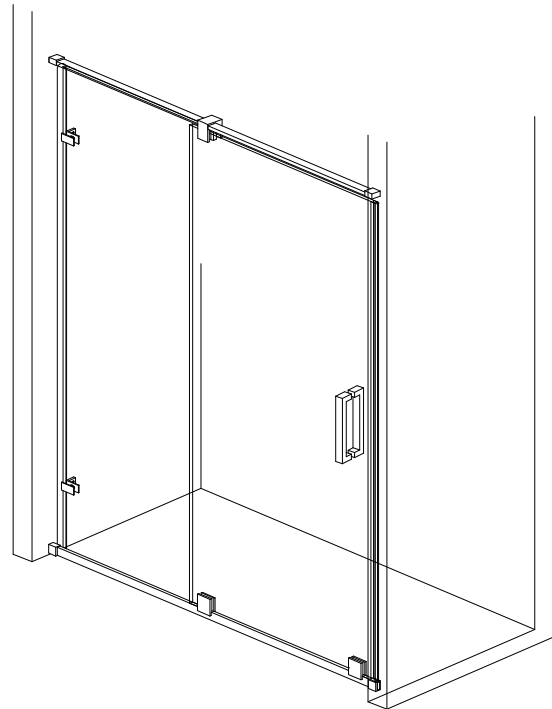


FIG.1



VG06045 LEFT DOOR OPENING

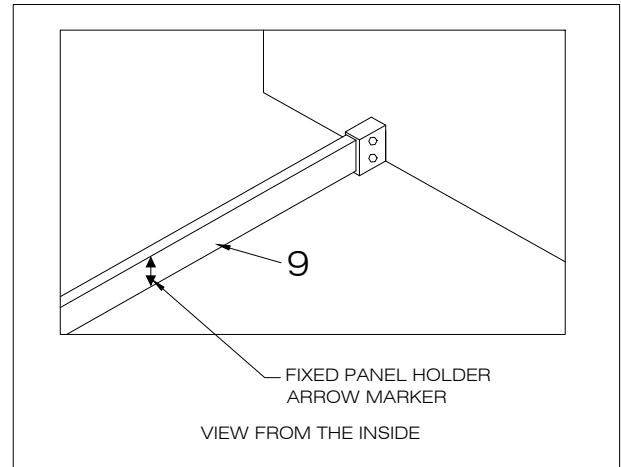


VG06045 RIGHT DOOR OPENING

INSTALLATION STEPS

A. INSTALLING THE BOTTOM STRUCTURAL RAIL

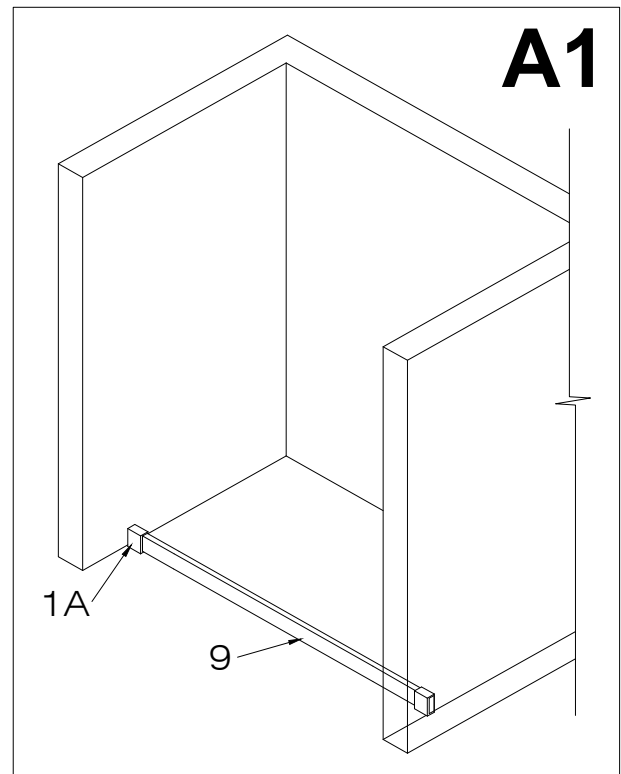
Key Note: There is an arrow marker on the bottom structural rail (#9). This is the installation point of the fixed panel holder (#7). See the chart to determine the distance from the center of hole to the finished wall. When placed for the dry fit process or installation, this sticker should be on the inside portion of the shower stall. There is also a marker on the bottom structural rail (#9) called "Door Side". This indicates the door side location. Note that part #9 is reversible based off the configuration desired. This is also the only side of the rail that can be cut. Dry fit all steps prior to installation.



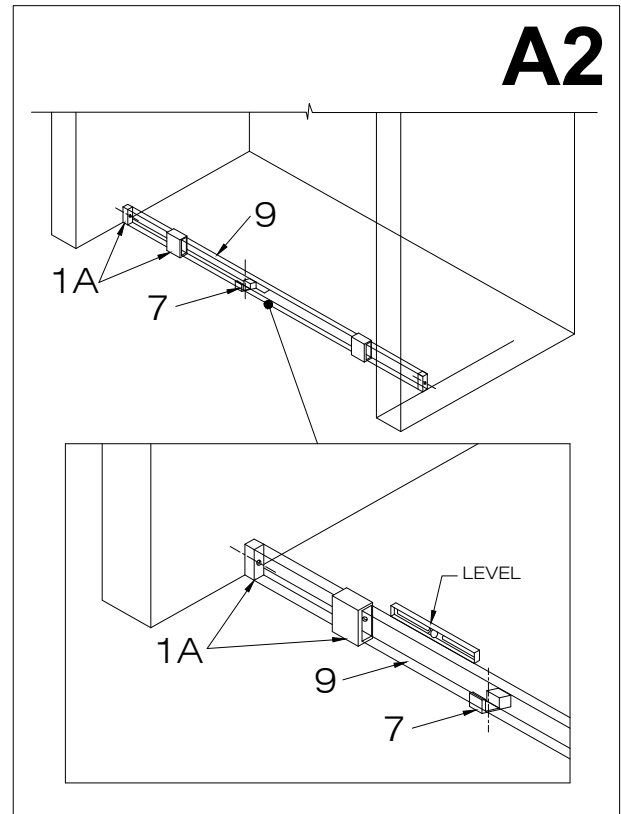
MODEL	DIMENSION TO FINISHED WALL
48X74	22 3/4" (577.5mm)
50X74	23 3/4" (603mm)
60X74	28 3/4" (730mm)
62X74	29 3/4" (755.5mm)
64X74	30 3/4" (781mm)

1. Ensure that the bottom wall mount brackets (#1A) are on both ends of the bottom structural rail (#9). Place the structural rail into the fixed panel holder (#7) opening. If the structural rail is too long, cut it with a hacksaw until it fits the opening.

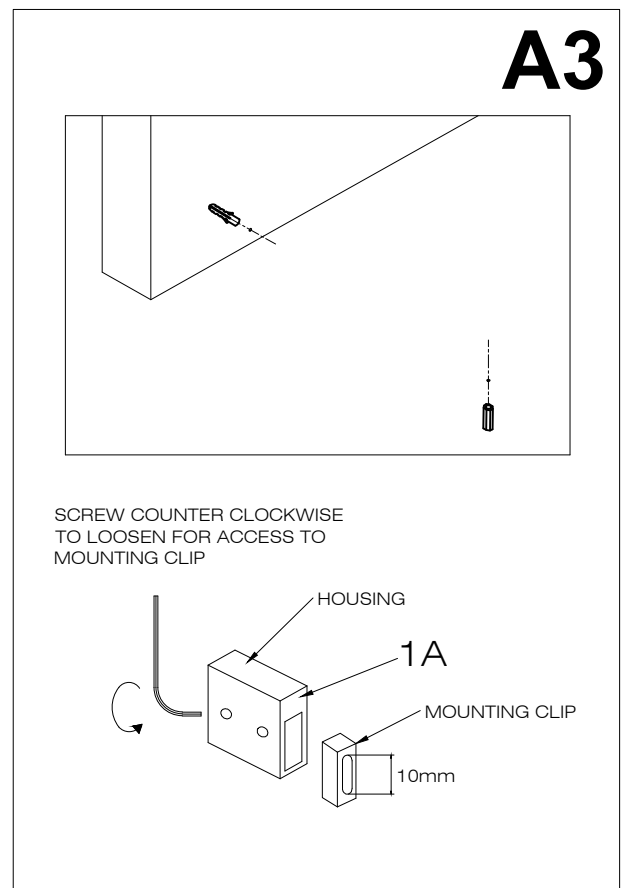
NOTE: Remove part #1A prior to cutting and make sure to only cut the door side portion of the structural rail.



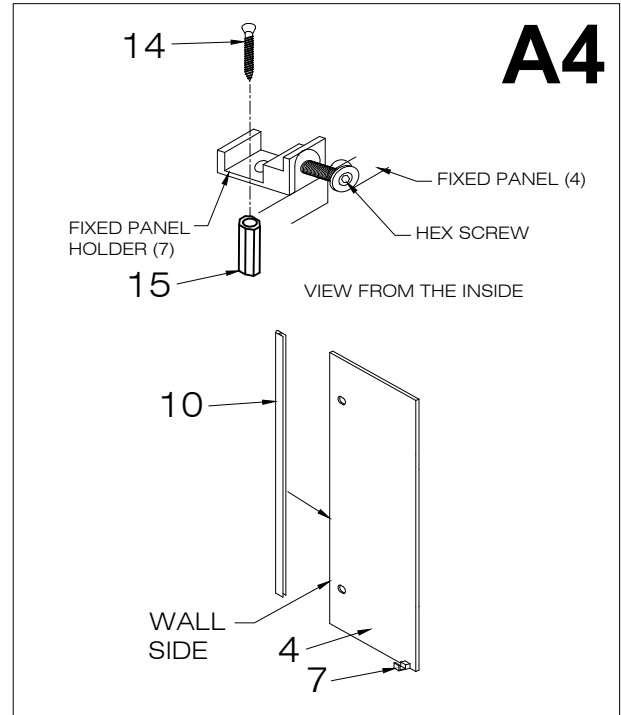
- Position the structural rail correctly using a level. Mark the location of the wall mount brackets (#1A) on the wall. Make sure that the allen screws are facing towards the inside of the shower stall. Mark the location of the fixed panel holder (#7) on the floor using the arrow marker on the structural rail as a guide.



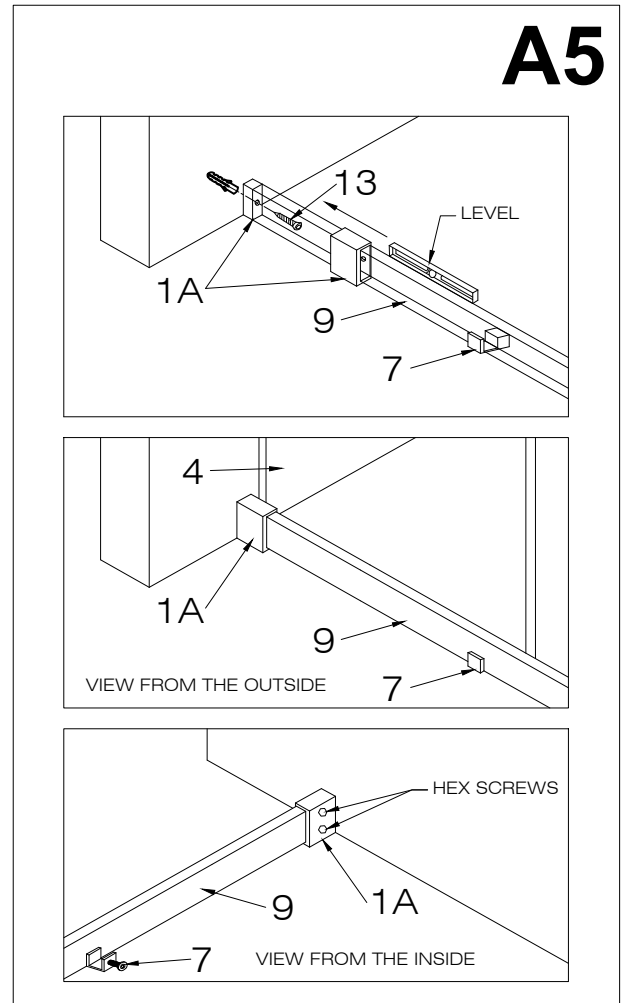
- Remove the structural rail and fixed panel holder. Drill holes into the respective marks and insert plastic anchors (#16) inside them. Not necessary if installing into studs. Studs are the preferred means of installation, anchors can pull out of the wall causing property damage and bodily harm. **Note that the housing to part (1A) will need to be unthreaded in order to install the mounting clips.**



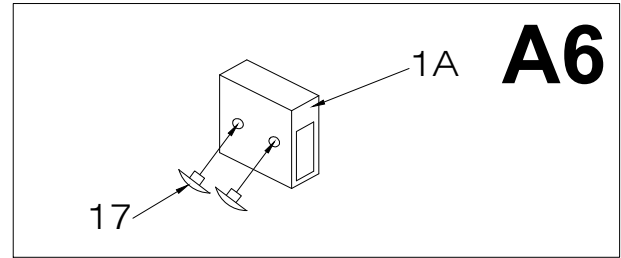
4. Prior to installing the bottom structural rail (#9), screw the fixed panel holder (#7) to the floor with the 3/4" phillips screw (#14). It is highly recommended to dry fit the fixed panel (#4) at this point. Review the location of the fixed panel holder (#7) and the notch on the bottom of the fixed panel (#4) to confirm that they are in alignment. Make sure to install the fixed panel seal strip (#10) on the fixed panel (#4) when checking for accurate dimensions. Attach the seal strip (#10) to the wall side of the front fixed panel (#4). Start at the bottom and work your way up, using the heel of your hand to firmly press the seal strip onto the glass.



5. Install the mounting clips from (#1A) using hex screws (#13) making sure that both sides are level. Replace the bottom structural rail (#9) with the housings to (#1A) loosely attached and slide against the wall. Tighten the hex screws.

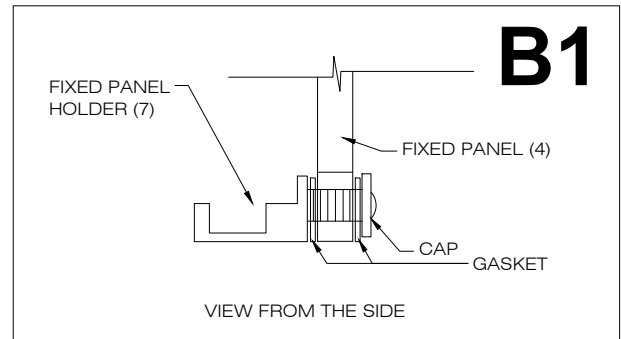


5. Install the hex screw covers (#17) to the bottom wall mount brackets (#1A). If this is not done now, the installation of the front fixed panel in the next step will make this impossible.

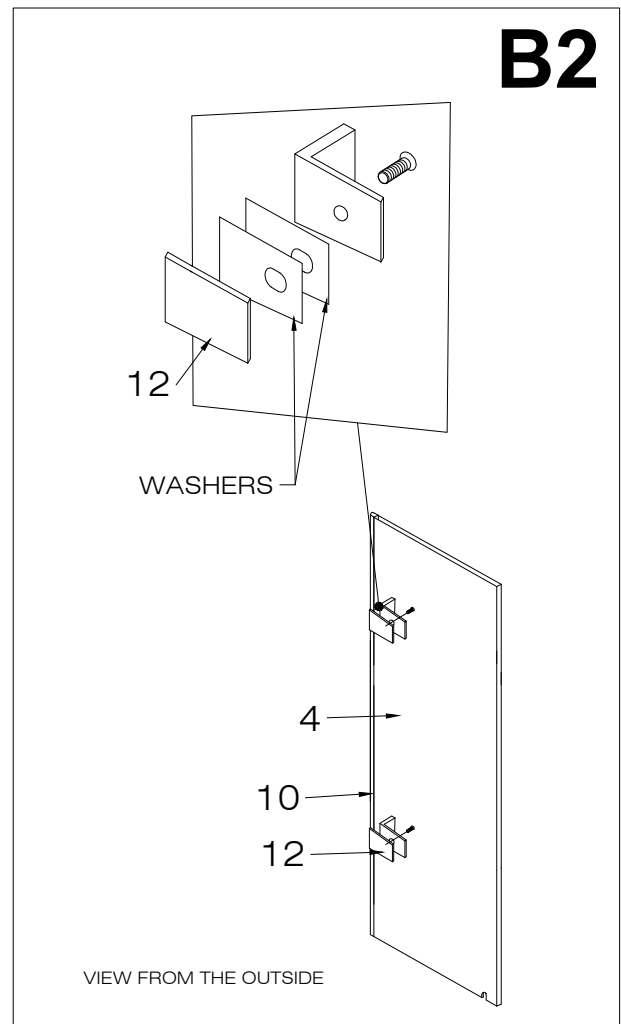


B. INSTALLING THE FRONT FIXED PANEL

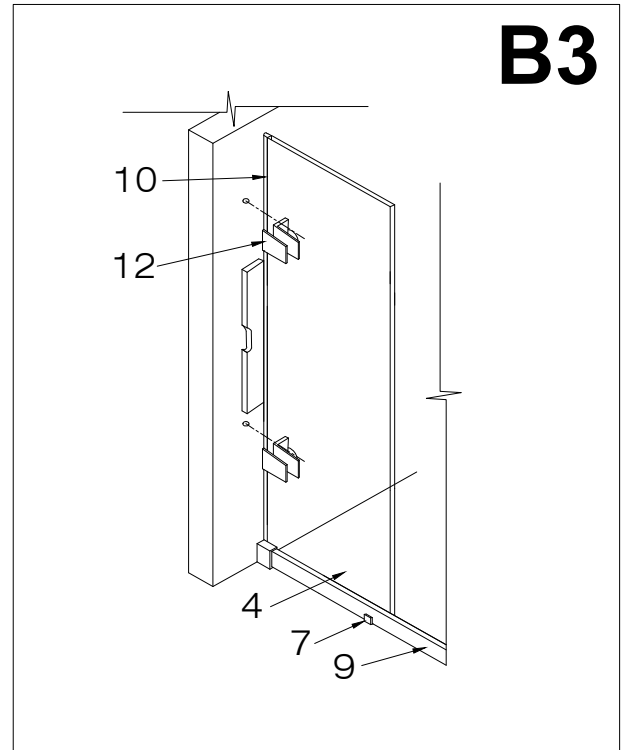
1. Remove the fixed panel holder face plate/cap from the inside facing portion of the fixed panel holder (#7).



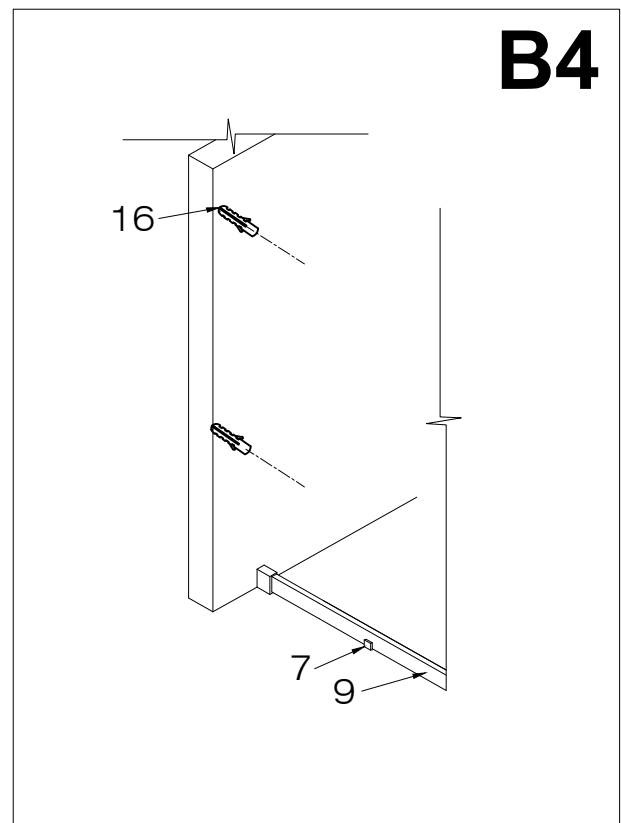
2. Screw in the glass support (#12) to the front fixed panel (#4) using the hex key (supplied) making sure to slide it back as far as possible from the glass before you tighten. The part that connects to the wall should be facing in. Be sure to use washers on both sides of the panel.



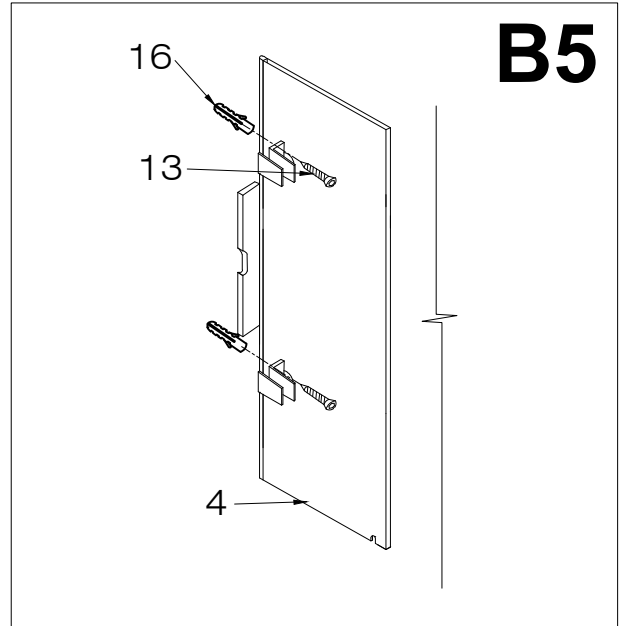
- Use the level to position the front fixed panel correctly. Make sure the seal strip (#10) is against the wall. Mark holes on the wall for the mounting screws. Make sure the cut out for the fixed panel holder on the fixed panel matches with the center point of the fixed panel holder (#7) the fixed panel (#4) and the bottom structural rail (#9) should be parallel prior to attaching the fixed panel to the wall.



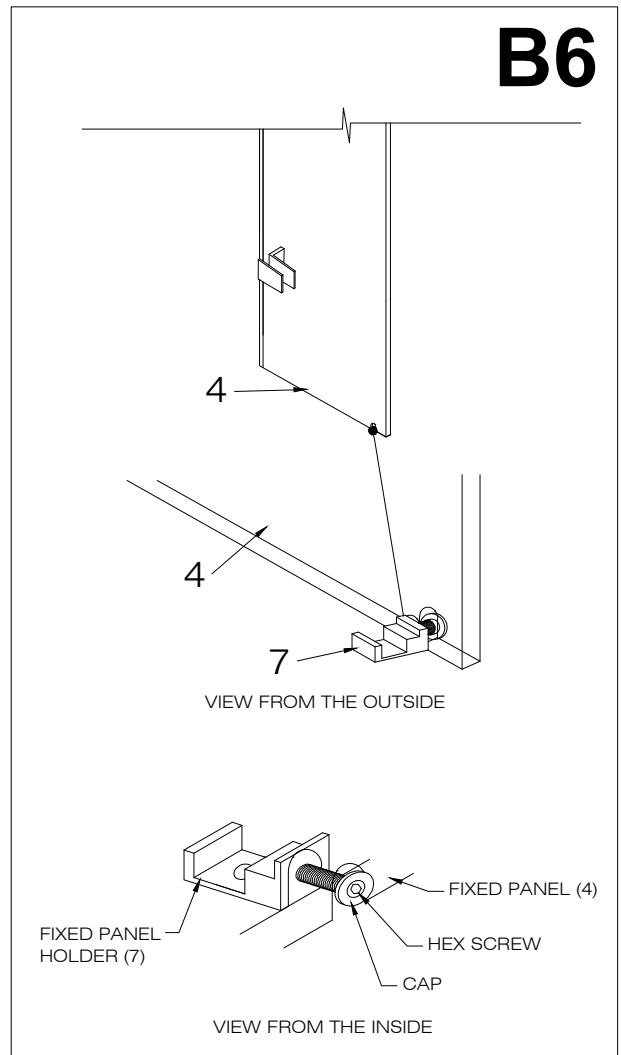
- Remove the front fixed panel. Drill holes into the respective marks and insert plastic anchors (#16) inside them. ⚠️ Not necessary if installing into studs. Studs are the preferred means of installation, anchors can pull out of the wall causing property damage and bodily harm.



- Screw the fixed panel to the wall with the with 1 5/8" screws (#13).

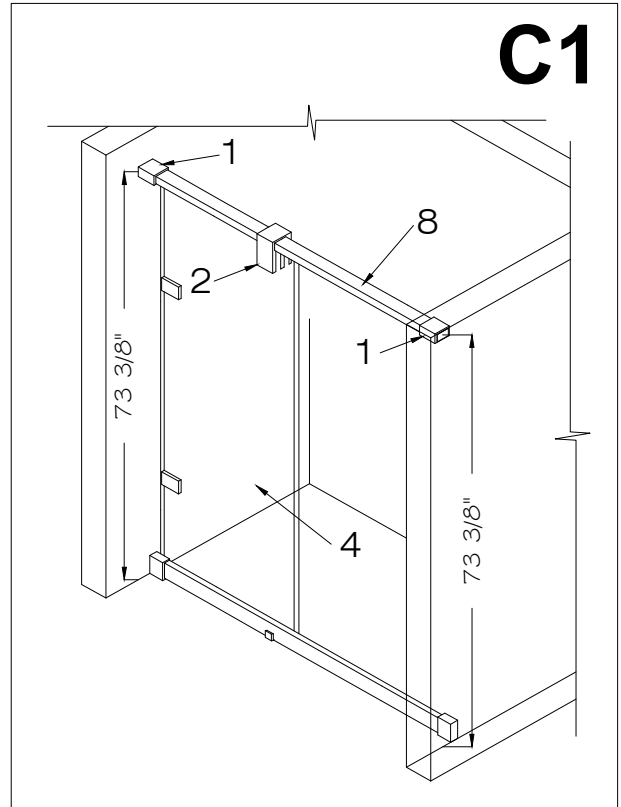


- Replace the fixed panel holder face plate/cap to the fixed panel holder by screwing the cap back on from the other side of the glass.

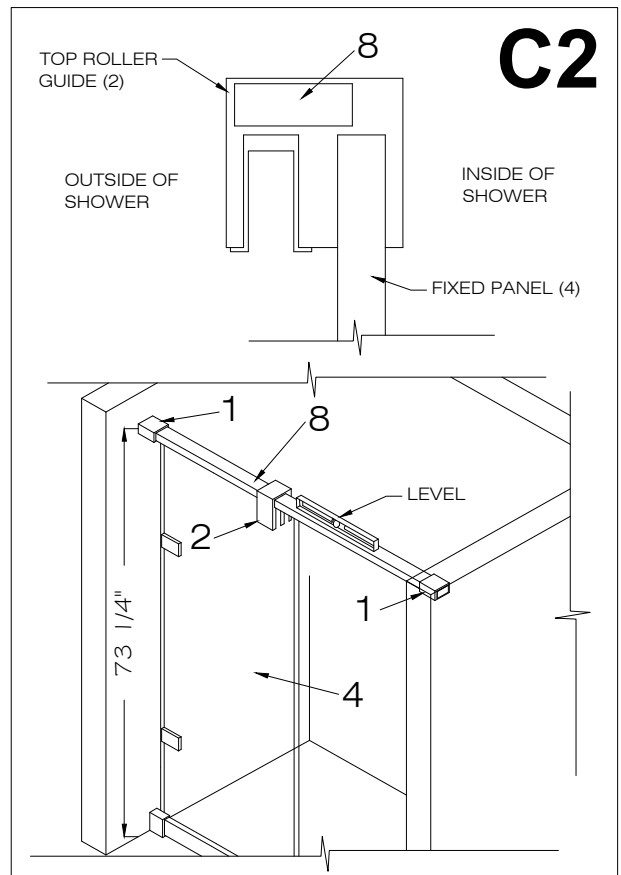


C. INSTALLING THE TOP STRUCTURAL RAIL

1. The top roller guide (#2) is already placed on the top structural rail (#8) for your convenience. Place the top wall mount brackets (#1) on both ends of the top structural rail (#8), if not already done. If the structural rail is too long, then cut it with the hacksaw until it fits the opening.

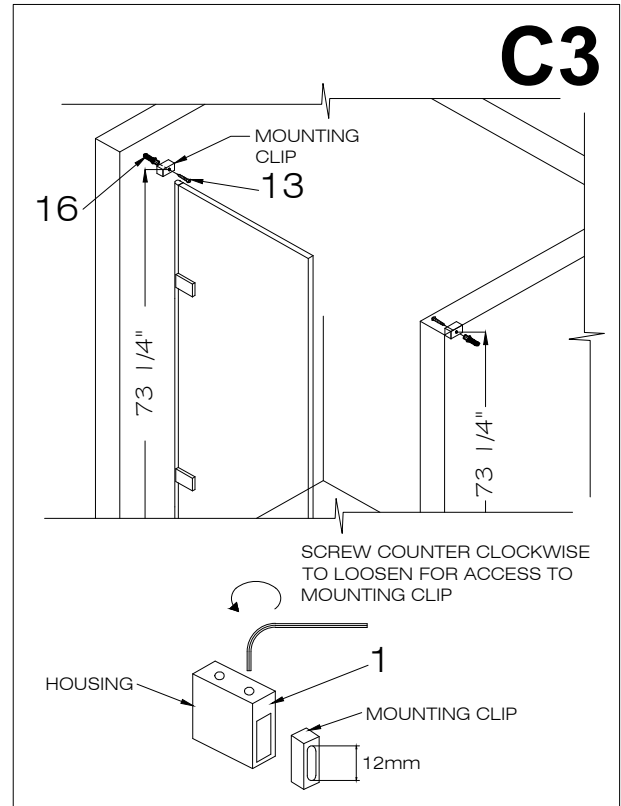


2. Position the top roller guide (#2) onto the fixed panel. Position the structural rail correctly using a level. Mark the location of the wall mount brackets (#1) on the wall. The height of the center of the wall mount brackets should be 73 1/4". **NOTE: The measurement of 73 1/4" should just be used as a guide. Your actual dimension may vary.**

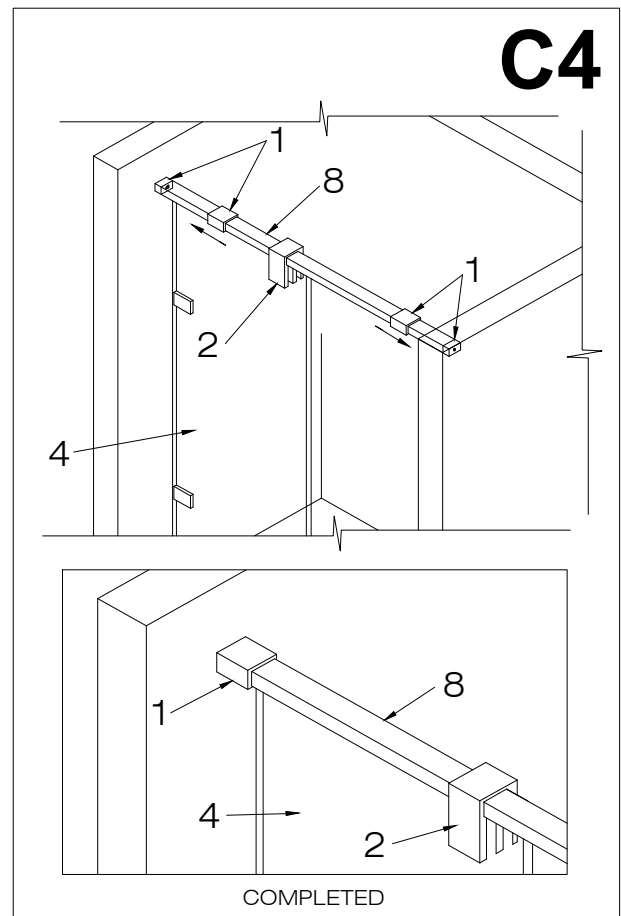


- Remove the structural rail. Install the mounting clips by drilling holes at the center point of your markings and inserting plastic anchors (#16) inside them. Replace the mounting clips and screw them into the plastic anchors with the hex screws (#13).
 ⚠ Not necessary if installing into studs. Studs are the preferred means of installation, anchors can pull out of the wall causing property damage and bodily harm.

Note: The housing to the top wall mount bracket assembly (#1) will need to be unthreaded in order to install the mounting clips.

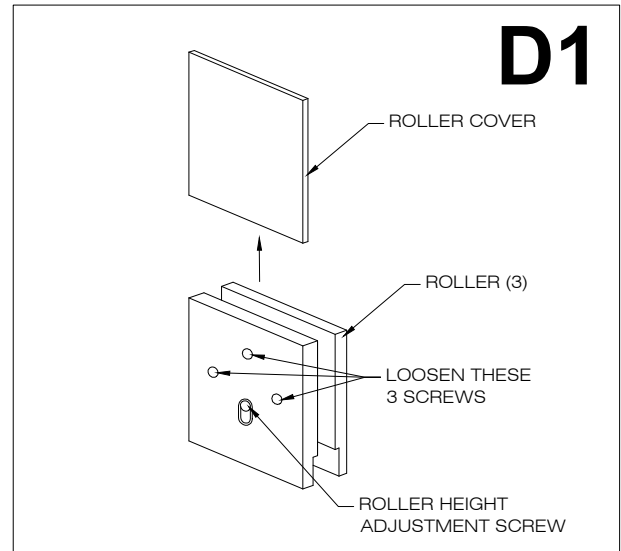


- Replace the structural rail and slide mounting brackets against the wall. Tighten the hex screws. **NOTE: There is a 12mm adjustment built into the mounting clips. If an adjustment is needed, remove the rail and adjust accordingly.**

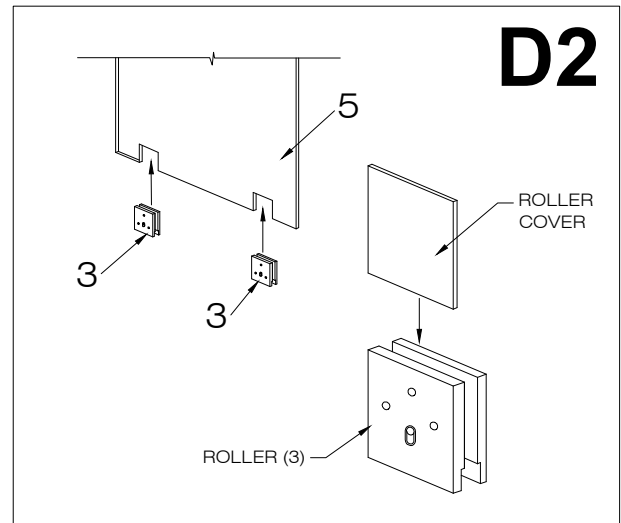


D. INSTALLING THE DOOR

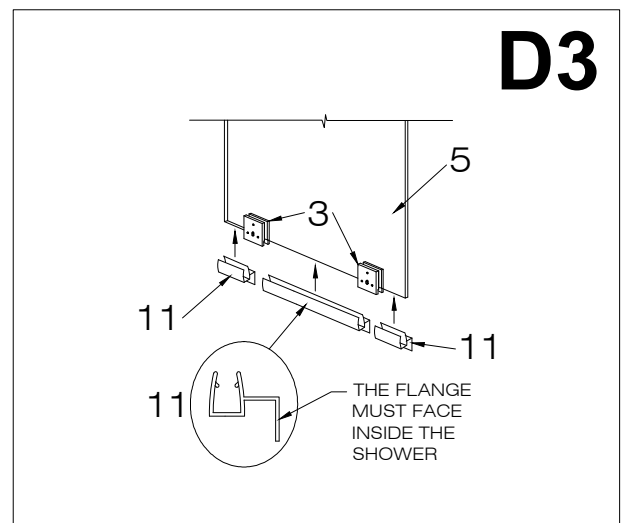
1. Remove the rollers (#3) from the box. Remove the cover. The three outside screws are what you will loosen to place the rollers on the door. The center screw is referred to as the roller height adjustment screw.



2. Loosen the screws on the roller, but do not dismantle. Place the roller in the space in the glass at the bottom of the door panel (#5). Fully tighten the screws and re-install the roller cover. Repeat steps 1 and 2 for the other roller.



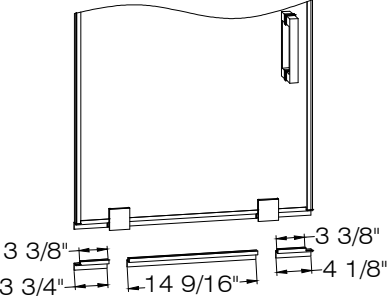
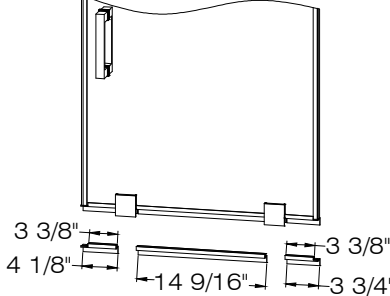
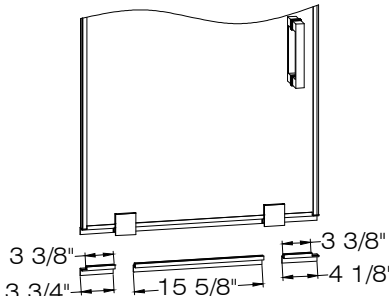
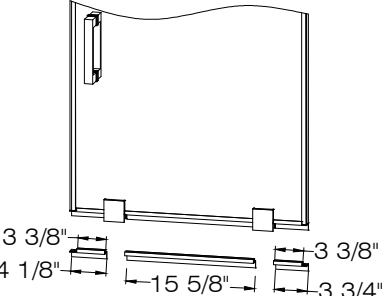
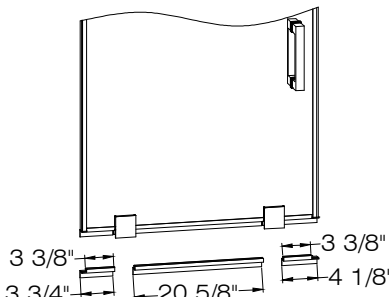
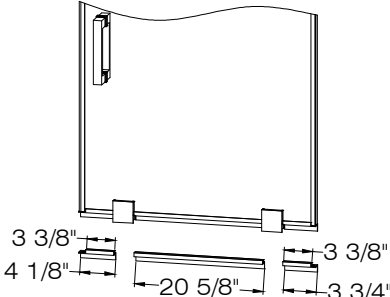
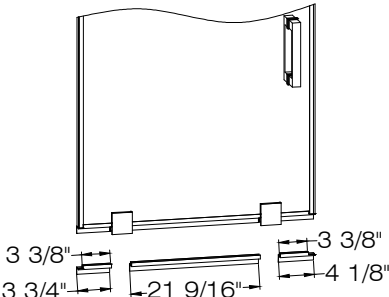
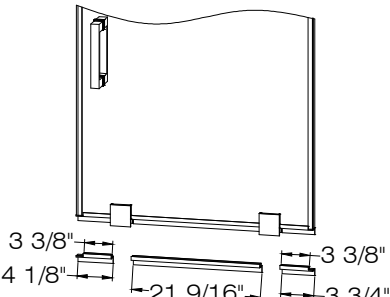
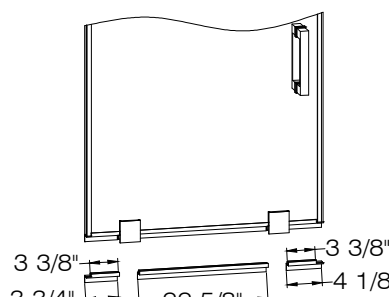
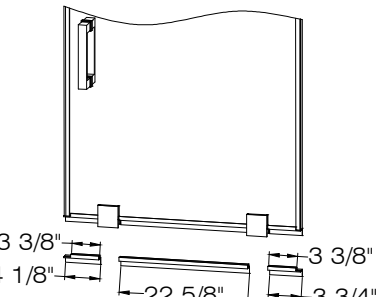
3. Cut the door bottom seal strips (#11) according to the chart on the following page to accommodate the configuration and size of your unit. Install the door bottom seal strips (#11) onto the bottom of the door panel.



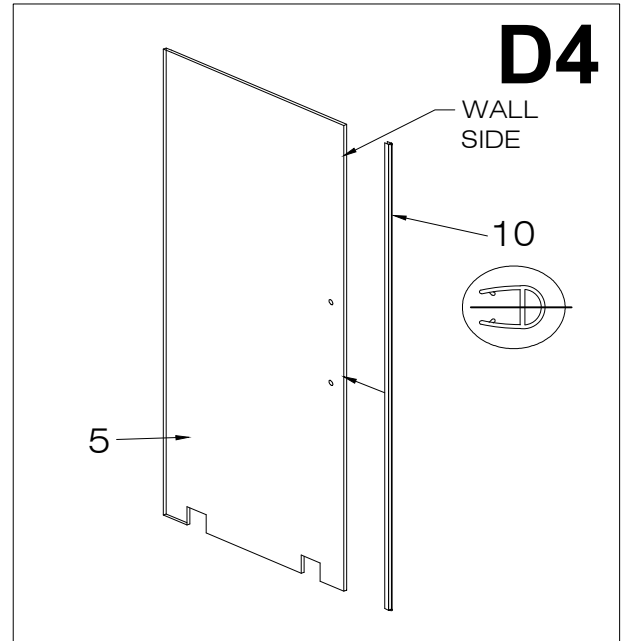
MODEL SIZE

RIGHT DOOR INSTALLATION

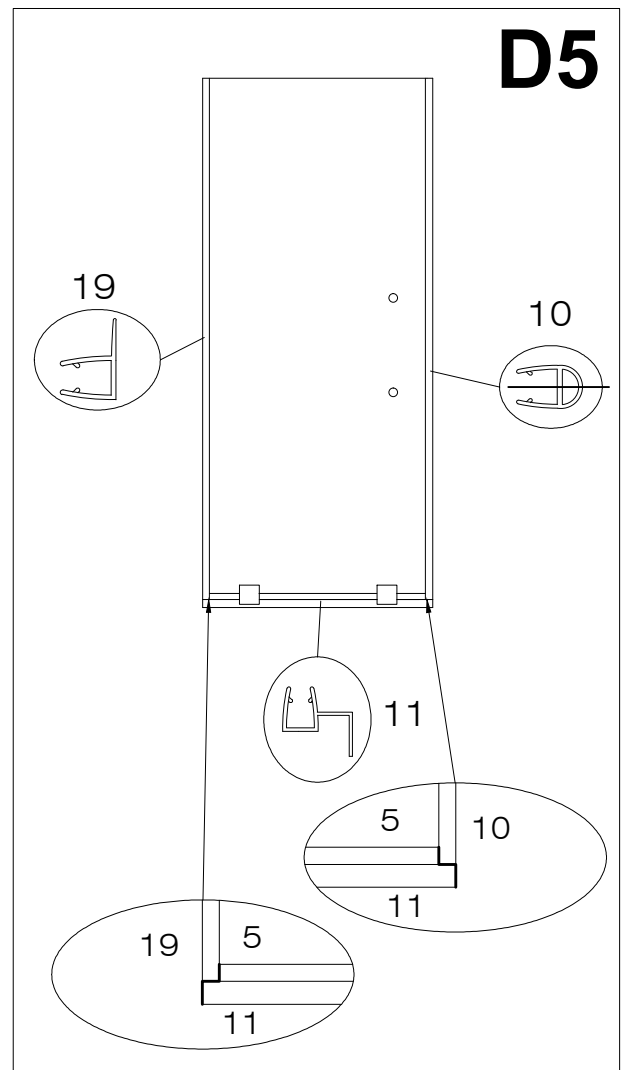
LEFT DOOR INSTALLATION

<p>48X74</p>		
<p>50X74</p>		
<p>60X74</p>		
<p>62X74</p>		
<p>64X74</p>		

- Attach the seal strip (#10) to the door panel on the side that closes to the wall. Start at the bottom and work your way up, using the heel of your hand to firmly press the seal strip onto the glass.

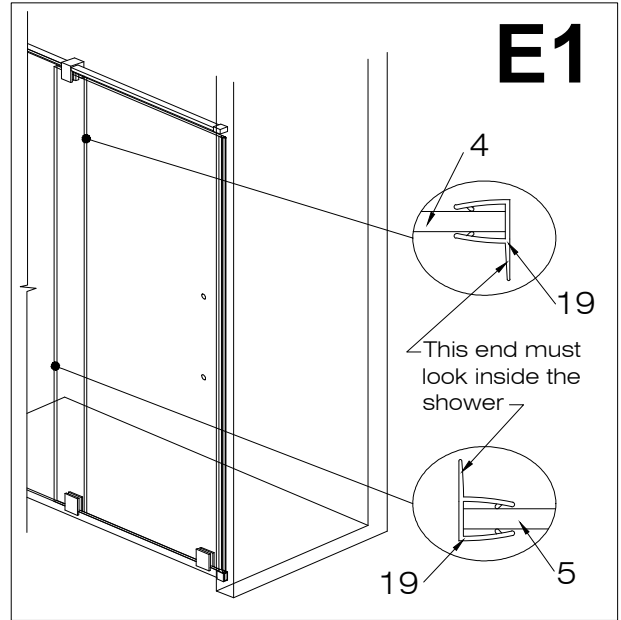


- The door seal strips must all meet each other properly to avoid any leakage. Please note that seal strip #19 will be installed in Step E.



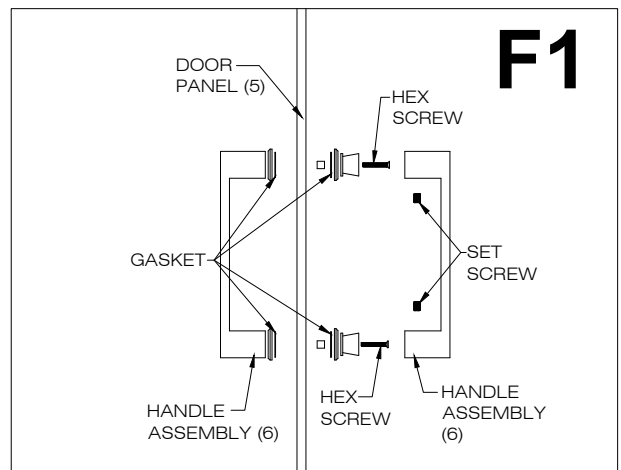
E. INSTALLING THE WATER SEAL STRIP

1. Attach the door seal strip (#19) to the door and to the fixed panel, respectively. Start at the bottom and work your way up, using the heel of your hand to firmly press the seal strip onto the glass.

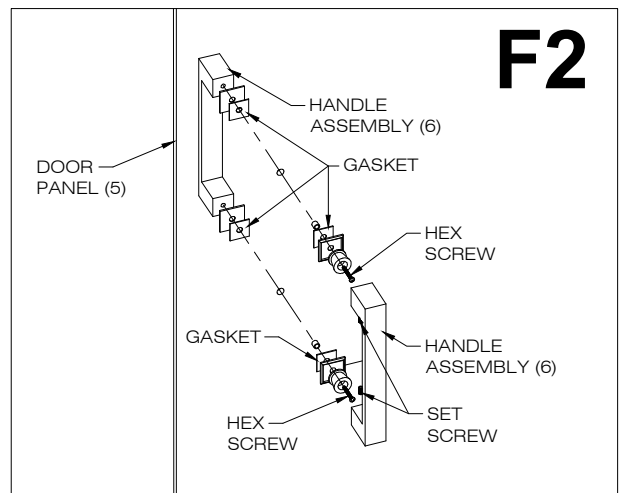


F. INSTALLING THE HANDLE

1. Unscrew the handle holders from the handle assembly (#6).

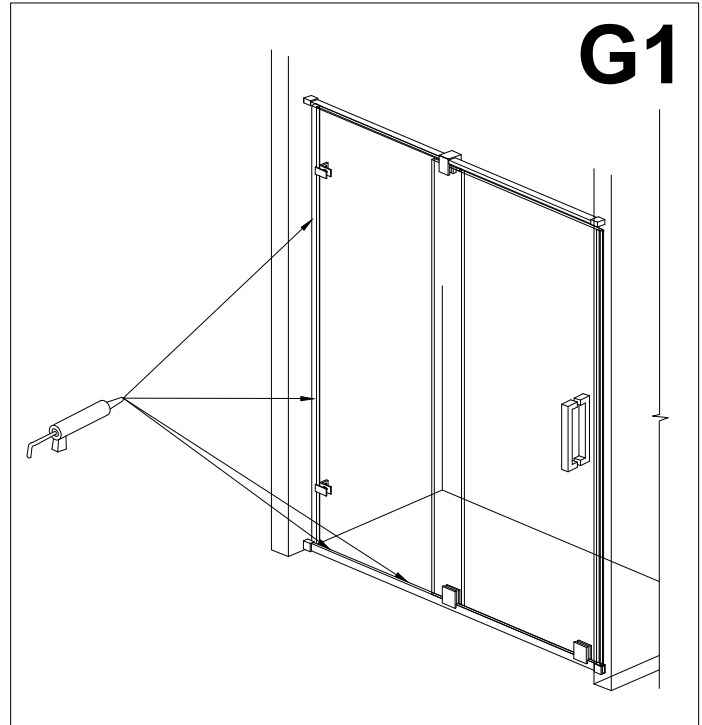


2. Install the handle as shown. Make sure to have gaskets between any metal and glass.



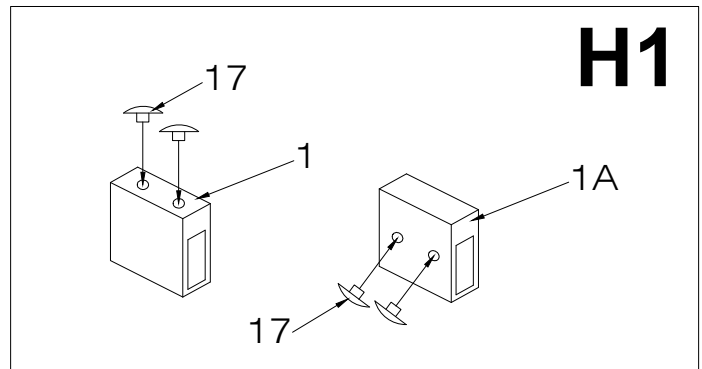
G. APPLYING THE SILICONE

1. Apply clear silicone caulking to the inside between the wall and side seal strip. Apply clear silicone caulking to the inside between the floor and the fixed front panel.

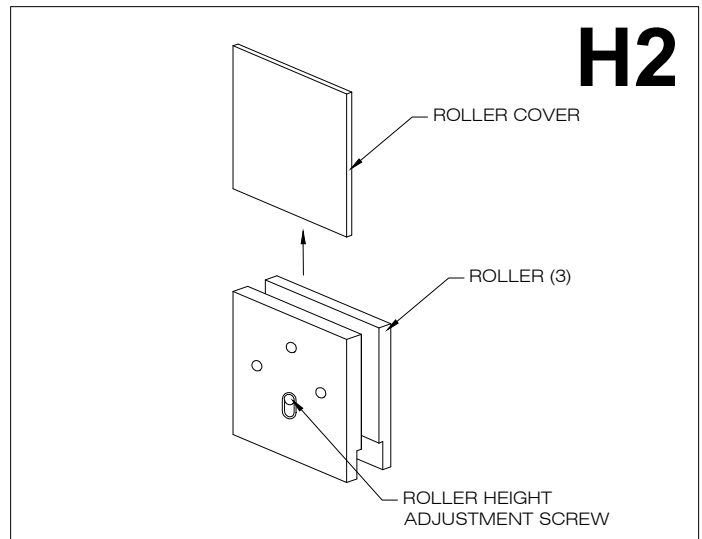


H. INSTALLING COVERS

1. Install screw covers (#17) to the unit.



2. If you haven't already done so, install the roller covers. There is no need to install silicone between the roller cover and the roller. Applying silicone here will not allow for future height modification.



⚠ IMPORTANT

- WAIT 24 HOURS BEFORE USING SHOWER
- DO NOT ALLOW WATER TO DIRECTLY HIT DOOR SEAL STRIPS.

CLEANING INSTRUCTIONS FOR THE SHOWER CABIN AND DOOR PANEL

1. Use a mild liquid household cleaner to keep metal surfaces bright and clean. Rinse well and dry with a soft, clean cloth.
2. Remove dust with a soft, damp cloth.
3. Use a standard household window cleaner to clean the glass panels.
4. A water beading treatment, similar to what you would use on an automobile windshield, can be used on the inside of the glass to keep it looking brand new.
5. Use rubbing alcohol to clean and remove grease, oil, paint and ink.
6. Should you accidentally scratch or stain your shower enclosure, use a liquid automobile polish to remove.

⚠ IMPORTANT

1. DO NOT use abrasive cleaners, scrapers, metal brushes or any items that could scratch or dull the surface.
2. DO NOT allow surface to come in contact with acetone (nail polish remover), dry cleaning solution, lacquer thinner, gasoline or other similar products.

REGULAR CARE AND MAINTENANCE OF YOUR VIGO SHOWER ENCLOSURE

Your home is a moving entity, shifting and settling over time. Vigo understands this and has designed their shower enclosures with this in mind. It is the responsibility of the homeowner or end user to maintain the integrity of their newly installed enclosure, using the integrated adjustability features. In order to keep your shower enclosure in optimal working condition, Vigo recommends regularly inspecting your enclosure and tightening any hardware that may have loosened during use. This simple step will insure optimal results from your Vigo shower enclosure for many years to come.

⊘ IMPORTANT

ROLLER ADJUSTMENTS TO ACCOMMODATE OUT OF SQUARE OPENINGS

NOTE: There is an adjustment on the roller to accommodate walls that are not 100% plumb. The bottom screw on the face of the roller adjusts the height of the ball bearing inside. Loosen this screw, adjust to desired closed door position and tighten in place. You may need to remove door unit from install to modify height.

1. Loosen the roller height adjustment screw to allow for movement. [See Fig.1]
2. Fig. 1A displays the 2 different positions.
3. If your walls are plumb and level, follow the configuration in Fig. 2.
4. In the case that your wall is off on the top, the rollers should be adjusted as shown in Fig. 3.
5. In the case that your wall is off on the bottom, the rollers should be adjusted as shown in Fig. 4.

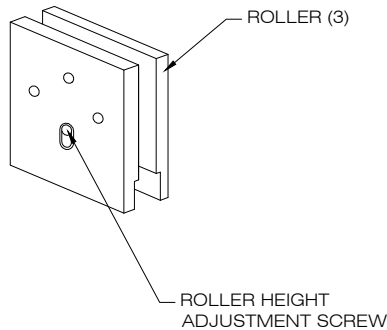


FIG. 1

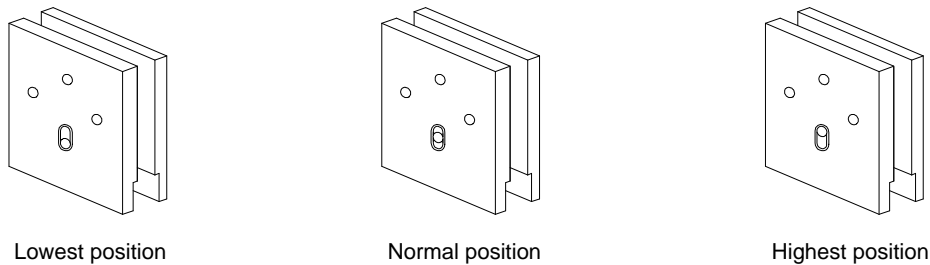
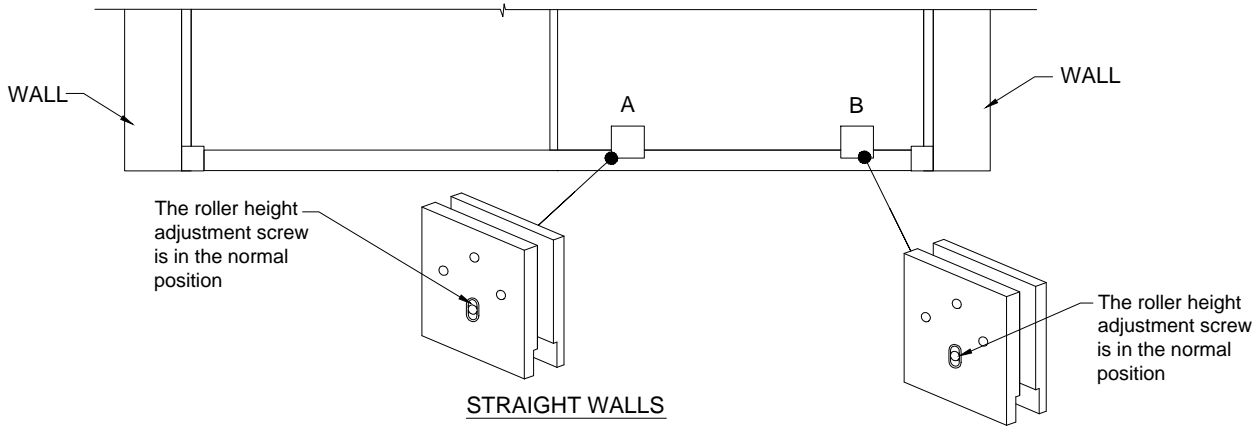


FIG. 1A

⊘ IMPORTANT

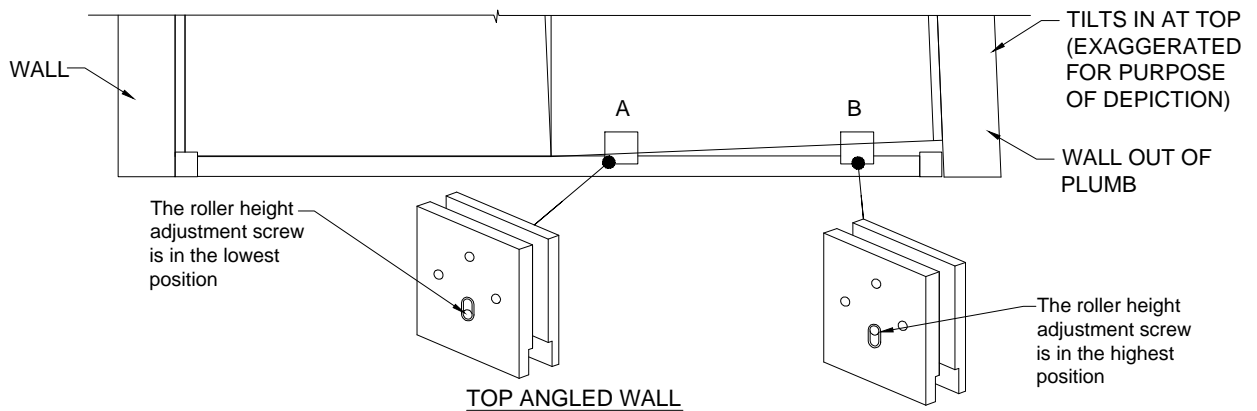
NOTE: These adjustments are approximate. You may need to adjust the roller height adjustment screw to meet your needs.



STRAIGHT WALLS

WALL DIRECTION	ROLLER "A" ROLLER HEIGHT ADJUSTMENT SCREW	ROLLER "B" ROLLER HEIGHT ADJUSTMENT SCREW
STRAIGHT WALL	NORMAL	NORMAL

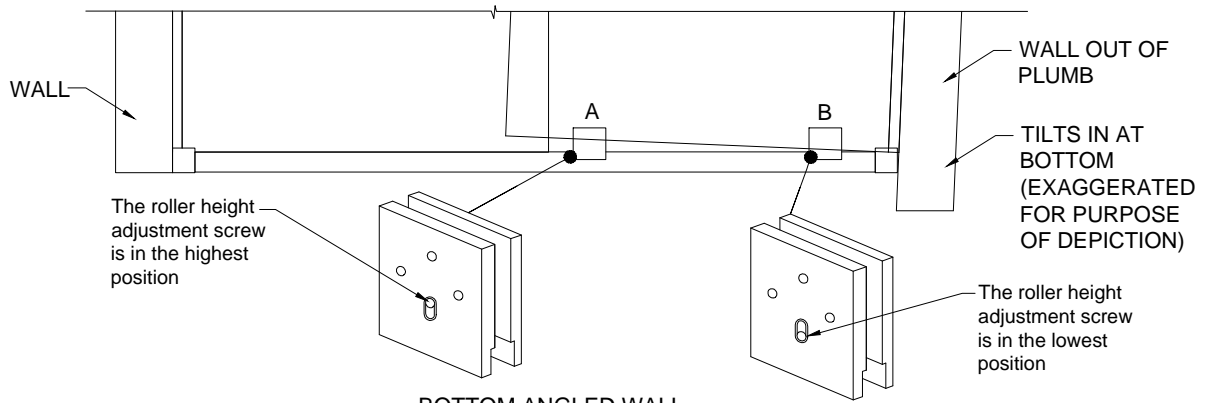
FIG. 2



TOP ANGLED WALL

WALL DIRECTION	ROLLER "A" ROLLER HEIGHT ADJUSTMENT SCREW	ROLLER "B" ROLLER HEIGHT ADJUSTMENT SCREW
TOP ANGLED	LOWEST	HIGHEST

FIG. 3



BOTTOM ANGLED WALL

WALL DIRECTION	ROLLER "A" ROLLER HEIGHT ADJUSTMENT SCREW	ROLLER "B" ROLLER HEIGHT ADJUSTMENT SCREW
BOTTOM ANGLED	HIGHEST	LOWEST

FIG. 4

VIGO INDUSTRIES, LLC ("VIGO")
SHOWER ENCLOSURE LIMITED LIFETIME WARRANTY

EFFECTIVE JANUARY 1, 2010

VIGO offers the following limited warranty on each of its Shower Enclosure products* (the "Product") and the components thereof. This warranty extends only to the original owner or end-user for personal household use. For commercial uses, additional limitations apply.

VIGO warrants the structural glass component of the Product to be free from defects in workmanship and materials under normal use and service for the period commencing from the initial date of purchase by the owner or end-user, contractor, or builder, from VIGO or an authorized VIGO dealer, through the lifetime of the original owner or end-user.

VIGO warrants the hardware components of the Product to be free from defects in workmanship and materials under normal use and service for a period of two (2) years from the initial date of purchase by the owner or end-user, contractor, or builder, from VIGO or an authorized VIGO dealer.

VIGO warrants the seal strip components of the Product to be free from defects in workmanship and materials under normal use and service for a period of one (1) year from the initial date of purchase by the owner or end-user, contractor, or builder, from VIGO or an authorized VIGO dealer.

Subject to the Warranty Service provision below, any product reported to the authorized dealer or to VIGO as being defective within the warranty period will be repaired or replaced (with a product of equal value) at the option of VIGO. This warranty extends to the original owner or end-user and is not transferable to a subsequent owner.

Neither the distributor, authorized VIGO dealer, nor any other person has been authorized to make any affirmation, representation, or warranty other than those contained in this warranty. Any affirmation, representation, or warranty other than those contained in this warranty shall not be enforceable against VIGO or any other person.

VIGO reserves the right to modify this warranty at any time, it being understood that such modifications will not alter the warranty conditions applicable at the time of sale of the products in question.

Limitations

This warranty shall not apply to instances of incorrect operating procedures, breakages, or damages caused by fault through improper installation, carelessness, abuse, misuse, misapplication, improper maintenance, or alteration of the Product, as well as chemical or natural corrosion, accident, fire, flood, an act of God, or any other casualty. Avoid abrasive cleaners, steel wools, and harsh chemicals as these will scratch, damage, and / or dull the product and / or finish and void this warranty. The owner/end-user of the Product covered by the present warranty is entirely responsible for its proper installation and any applicable plumbing or electrical wiring. VIGO neither installs nor supervises the installation nor hires a contractor for this purpose; consequently, VIGO cannot be held responsible for any default, breakage, or damages caused thereby or resulting thereof, either directly or indirectly.

The owner/end-user must provide access to the components of the Product as described in the installation guide so that VIGO can execute the warranty specified herein. If such access is not available, all expenses to provide said access will be the responsibility of the owner/end-user.

This warranty does not apply to Products that have not been installed or operated in accordance with instructions supplied by VIGO and all applicable rules, regulations, and legislation pertaining to such installations.

This warranty does not apply unless the VIGO Product is installed by fully insured licensed professionals. VIGO strongly recommends that such licensed professionals have experience in the installation of bathroom and kitchen products. Installation of certain products, including, without limitation, glass products (i.e., shower doors and glass sinks) by an inexperienced person may result in glass breakage and, consequently, cause personal injury or death.

VIGO is not liable for personal injuries or deaths to any persons or for any direct, special, incidental, or consequential damage, loss of time, loss of profits, inconvenience, incidental expenses, labor or material charges, or any other costs resulting from the use of the product or equipment or pertaining to the application of the present warranty, or resulting from the removal or replacement of any product or element or part covered by this warranty.

EXCEPT AS OTHERWISE PROVIDED ABOVE, VIGO MAKES NO WARRANTIES, EXPRESSED OR IMPLIED, INCLUDING WARRANTIES OF MERCHANTABILITY AND FITNESS FOR A PARTICULAR PURPOSE OR COMPLIANCE WITH ANY CODE.

In any case, VIGO cannot be held liable for any amount over and above the purchase price paid for the Product by the owner/end-user, contractor, or builder.

Commercial Limitations

In addition to the above conditions and limitations, the warranty period for products installed for commercial applications or used in commercial ventures is one (1) year from the initial date of purchase by the owner/end-user, contractor, or builder from an authorized dealer. VIGO is not responsible for loss of use or profit under any circumstances. If the product is used as a display, the warranty period begins when the product is placed on display. This warranty gives the owner/end-user specific legal rights. The owner/end-user may also have other rights which can vary from one state or province to another.

Warranty Service

In order to obtain service provided under this warranty during regular business hours, contact the dealer or distributor who sold the unit, or contact VIGO directly. VIGO will provide the warranty service described above when the following conditions have been met: the failure is of the nature or type covered by the warranty; the user has informed an authorized VIGO Agent or VIGO's warranty service department representative of the nature of the problem during the warranty period; conclusive evidence (e.g., proof of purchase or installation) is provided to the foregoing by the user proving that the failure occurred or was discovered within the warranty period; an authorized independent service person or company representative has been permitted to inspect the product during regular business hours within a reasonable time after the problem was reported by the user. VIGO's warranty obligation shall be discharged upon tender of replacement or repair. The customer's refusal to accept the tender terminates VIGO's warranty obligations.

*Certain models are pending approval.
Certification may be ended by VIGO or certification agencies without notice.