



VIGO INDUSTRIES INSTALLATION GUIDE FOR SHOWER ENCLOSURE (MODEL VG06011)

SAFETY PRECAUTIONS

This Installation Guide uses the following symbols to indicate important information. Always observe the instructions indicated by these symbols.

WARNING

Instructions that, if ignored, could result in death or serious personal injury caused by incorrect handling or installation of the product. These instructions must be observed for safe installation.

CAUTION

The instructions for the following unit is based off of the Vigo brand shower base. The instructions can not be provided for any other installation other than that of the Vigo brand. The warranty will be voided if the following was not performed properly.

IMPORTANT

Maintenance and other important non-personal injury and non-material damage instructions or statements that should be observed.

It is highly advised to dry fit the unit prior to any installation.

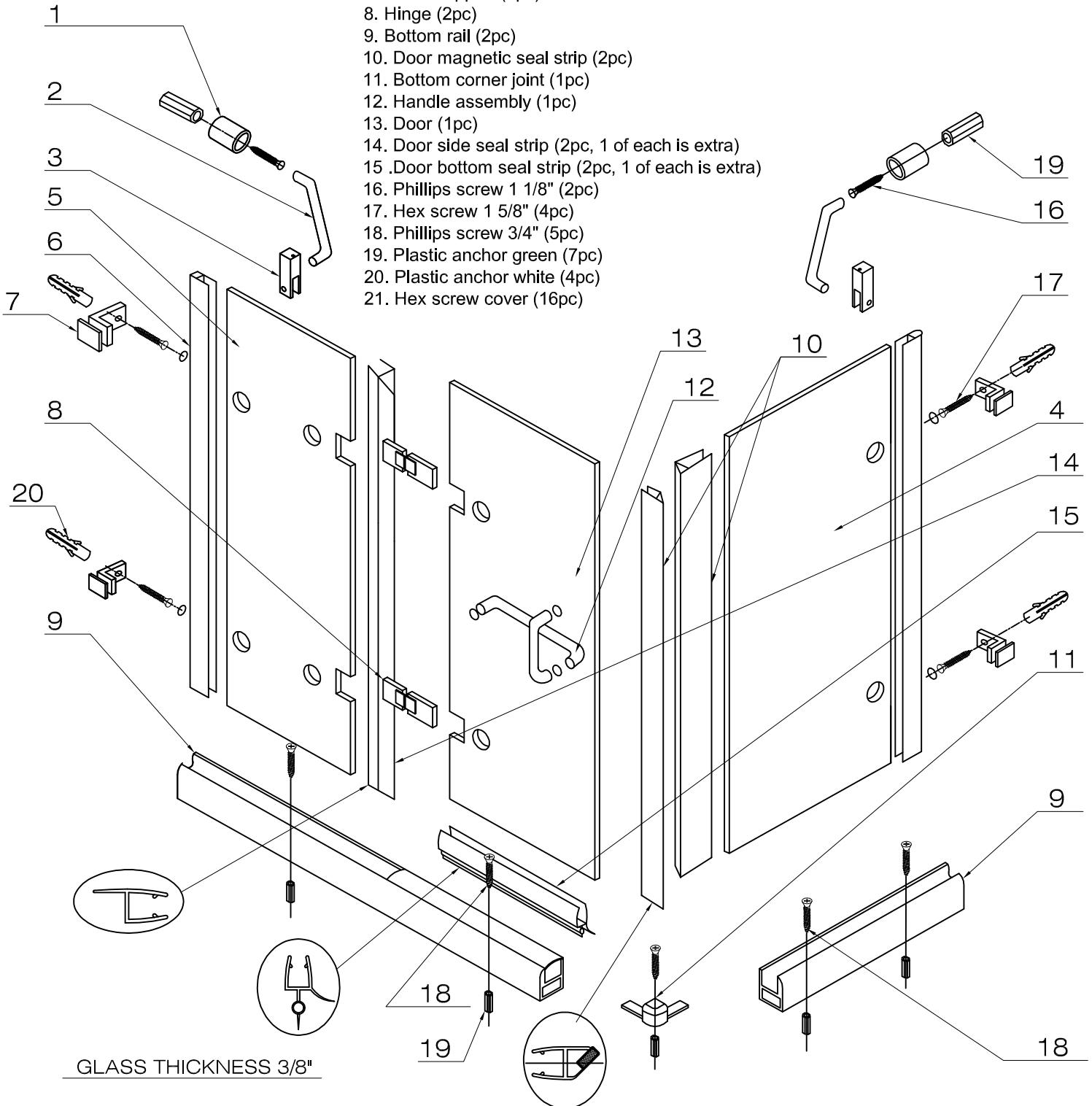
INSTALLATION INSTRUCTIONS FOR STANDING SHOWER CABIN

OWNER'S MANUAL

PLEASE READ INSTRUCTIONS BEFORE PROCEEDING

Packing List

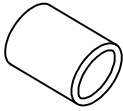


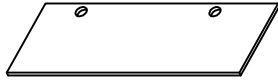
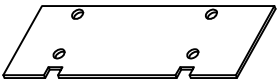
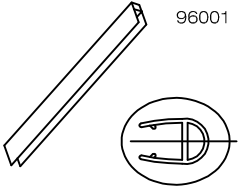
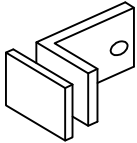
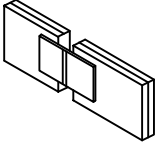
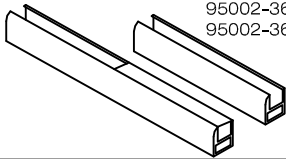
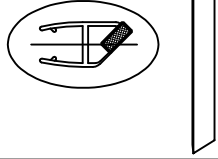
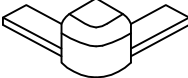
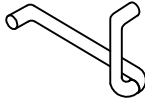
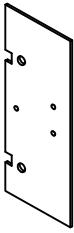
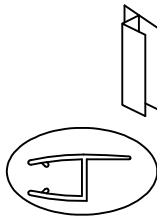
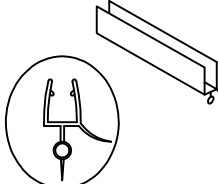



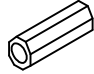

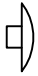
1. Wall connector (2pc)
2. Structural arm (2pc)
3. Support assembly (2pc)
4. Side glass panel (1pc)
5. Front glass panel (with hinge slots, 1pc)
6. Side seal strip (2pc)
7. Glass support (4pc)
8. Hinge (2pc)
9. Bottom rail (2pc)
10. Door magnetic seal strip (2pc)
11. Bottom corner joint (1pc)
12. Handle assembly (1pc)
13. Door (1pc)
14. Door side seal strip (2pc, 1 of each is extra)
15. Door bottom seal strip (2pc, 1 of each is extra)
16. Phillips screw 1 1/8" (2pc)
17. Hex screw 1 5/8" (4pc)
18. Phillips screw 3/4" (5pc)
19. Plastic anchor green (7pc)
20. Plastic anchor white (4pc)
21. Hex screw cover (16pc)



GLASS THICKNESS 3/8"

NOTE: INSTALLATION MUST BE DONE BY A QUALIFIED, LICENSED PLUMBER.

MODEL VG06011

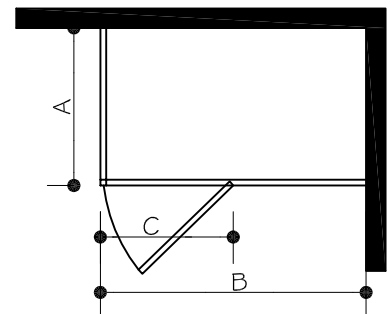
<p>1. WALL CONNECTOR 98007</p> 	<p>2. STRUCTURAL ARM 98008-32 98008-36 98008-40 98008-48</p> 	<p>3. SUPPORT ASSEMBLY 98009</p> 	<p>4. SIDE GLASS PANEL 97003-32 97003-36 97003-48</p> 	<p>5. FRONT GLASS PANEL 97004-32 97004-36 97004-40 97004-48</p> 
<p>6. SIDE SEAL STRIP 96001</p> 	<p>7. GLASS SUPPORT 98010</p> 	<p>8. HINGE ASSEMBLY 98011</p> 	<p>9. BOTTOM RAIL 95002-32x32 95002-32x40 95002-32x48 95002-36x36 95002-36x48</p> 	<p>10. DOOR MAGNETIC SEAL STRIP 96011</p> 
<p>11. BOTTOM CORNER JOINT 94004</p> 	<p>12. DOOR HANDLES 98012-15 98012-18</p> 	<p>13. DOOR 97010-32 97010-36 97010-40 97010-48</p> 	<p>14. DOOR SIDE SEAL STRIP 96006</p> 	<p>15. DOOR BOTTOM SEAL STRIP 96004</p> 
<p>16. PHILLIPS SCREW 1 1/8" 98035</p> 	<p>17. HEX SCREW 1 5/8" 98039</p> 	<p>18. PHILLIPS SCREW 3/4" 98033</p> 	<p>19. PLASTIC ANCHOR 98037</p> 	<p>20. PLASTIC ANCHOR 98038</p> 
				<p>21. HEX SCREW COVER 96040</p> 

SIZE	DIMENSION "A"	DIM. "B"	DIM. "C"	HEIGHT*	#4- SIDE GLASS PANEL (97003)	#5- FRONT GLASS PANEL (97004)	#13- DOOR (97010)
32X32	30 1/4***	30 1/4***	19 3/4"	73 1/3"	29 1/4"x71 5/8"	9 1/2"x71 5/8"	19 3/4"x70 3/4"
32X40	30 1/4***	38 1/4***	22 7/8"	73 1/3"	29 1/4"x71 5/8"	14 1/8"x71 5/8"	22 7/8"x70 3/4"
32X48	30 1/4***	46***	23 3/4"	73 1/3"	29 1/4"x71 5/8"	21 1/4"x71 5/8"	23 5/8"x70 3/4"
36X36	34 1/8***	34 1/8***	22 7/8"	73 1/3"	33 1/8"x71 5/8"	10 1/8"x71 5/8"	22 7/8"x70 3/4"
36X48	34 1/8***	46***	23 3/4"	73 1/3"	33 1/8"x71 5/8"	21 1/4"x71 5/8"	23 5/8"x70 3/4"

* - WITH HARDWARE AND WITHOUT SHOWER BASE

** - EXTERIOR SIZES

A, B & C DIMENSIONS WERE MEASURED AFTER SHOWER ENCLOSURE WAS COMPLETELY INSTALLED



⚠ WARNING

WE STRONGLY RECOMMEND THAT A LICENSED PROFESSIONAL INSTALL THIS SHOWER CABIN AND INCLUDE THE ASSISTANCE OF A SECOND PERSON TO INSTALL THE DOOR UNIT. INSTALLATION OF THE SHOWER DOORS BY AN INEXPERIENCED PERSON MAY RESULT IN GLASS BREAKAGE AND, CONSEQUENTLY, CAUSE PERSONAL INJURY OR DEATH .

BEFORE STARTING

Compare items on your invoice with what you have received. Carefully review the Packing List on page 2. If any items are missing contact Vigo Industries at 1-866-591-7792.

REQUIRED TOOLS

- Square and/or Phillips #1 and #2 screwdriver
- Flat head screwdriver
- Electric drill plus 1/8", 3/16", or 7/32" drill bit (depending on wall)
- Level
- Measuring tape
- Pencil (non-permanent; HB)
- Clear silicone caulking
- Utility knife

⚠ WARNING

- Handle fragile items with care to prevent injury or material damage.
- Glass on panels and doors is tempered glass and must never be cut to prevent personal injury.

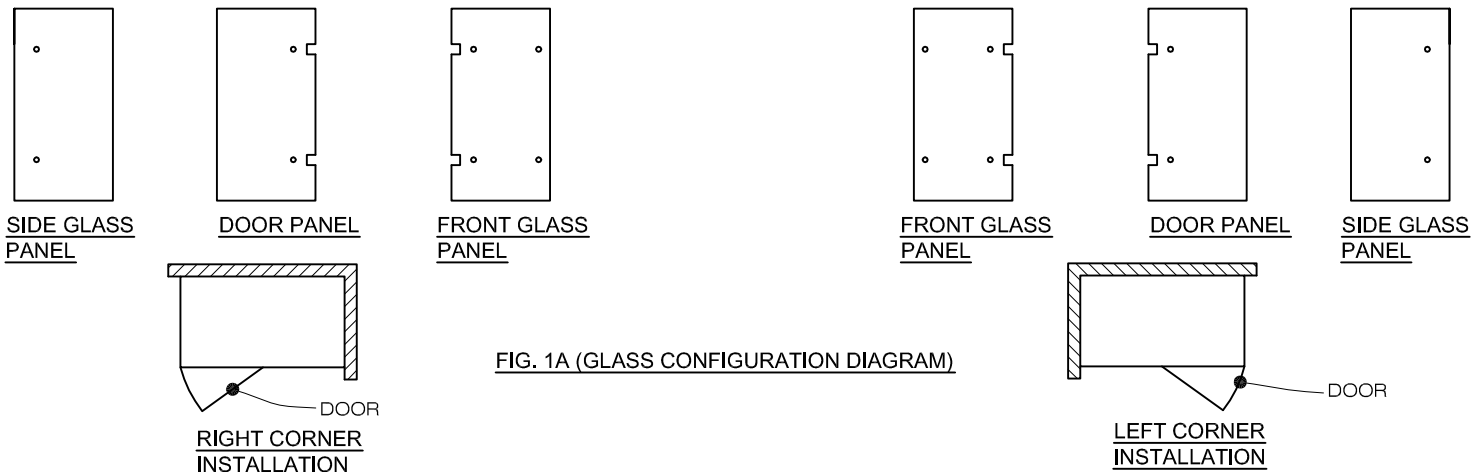
⊘ IMPORTANT

- Fiberglass or acrylic construction might not be sufficiently strong enough to support the shower door enclosure. You should use the wood framing from behind the face edge of the stall to provide a secure mounting to the door. Apply a bead of silicone between the walls and base of the stall.
- For optimum performance, you should install the shower door perfectly level on a level surface.

IMPORTANT:

THE CLEAR GLASS MODEL HAS A REVERSIBLE DOOR AND CAN BE INSTALLED TO THE RIGHT OR LEFT SIDE. THE TEXTURED SIDE OF THE MATTE GLASS UNIT SHOULD ALWAYS BE INSTALLED ON THE OUTSIDE OF THE UNIT. (SEE CONFIGURATION DIAGRAM BELOW)

See suggestion of configuration below.



PREPARATION STEPS TO FOLLOW BEFORE INSTALLATION

1. Remove the plastic layer from the base border (if needed). Do NOT remove the plastic layer off the plastic platform of the base.
2. Properly apply silicone to the wall and base joints.

⊘ IMPORTANT

- To prevent damage to the finish, you should protect the shower cabin bottom with a cardboard protector before beginning the installation.
- Ensure that there is sufficient structural support behind the shower wall to hold the weight of the shower door. If there is insufficient support, then reinforce the shower walls with wooden studs prior to shower door installation. [SEE FIG.1]

INSTALLATION STEPS

A. INSTALLING THE BOTTOM RAIL

⚠ CAUTION

OUTSIDE EDGE OF THE BOTTOM RAIL IS HIGHER THAN THE INSIDE EDGE. TO ALLEVIATE WATER BUILD UP IN THE TOP PORTION OF THE RAIL, IT IS RECOMMENDED TO DRILL SMALL HOLES ON THE TOP INSIDE PORTION.

1. Slide the corner joint onto the bottom rail. [SEE FIG.2]
2. Place the bottom rail (#9) with the corner joint (#11) to the desired position on the shower base (see page 2 for proper A and B distances). Make sure A and B are correct and plum.
3. Seal the underside of the bottom rail with clear silicone. Center the rail sides to the base according A and B measurements.
4. Apply silicone to 3/4" screw (#18) threads. [SEE FIG.2A]
5. Screw the bottom rail securely to the base with the 3/4" screw.
6. Clip the aluminum cover to the front piece of the bottom rail.
7. Apply silicone to 3/4" screw (#18) head portion and where the corner joint meets the bottom rail.

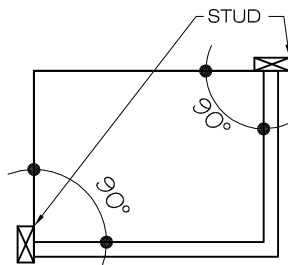


FIG.1

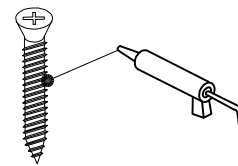
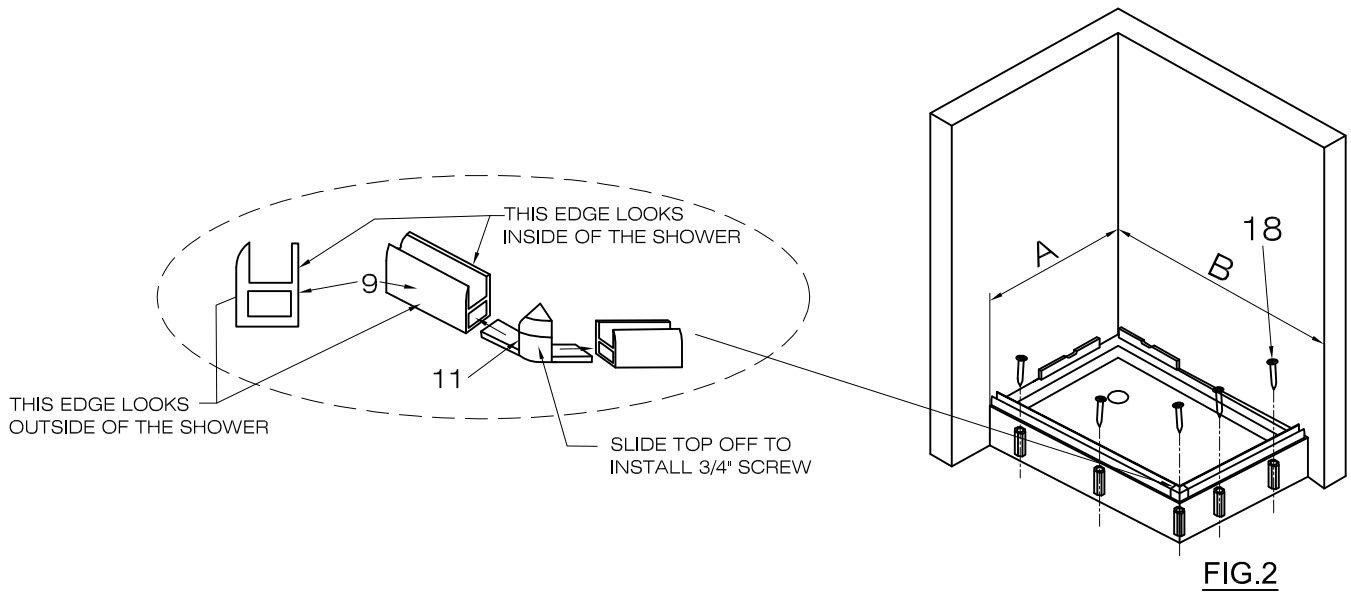
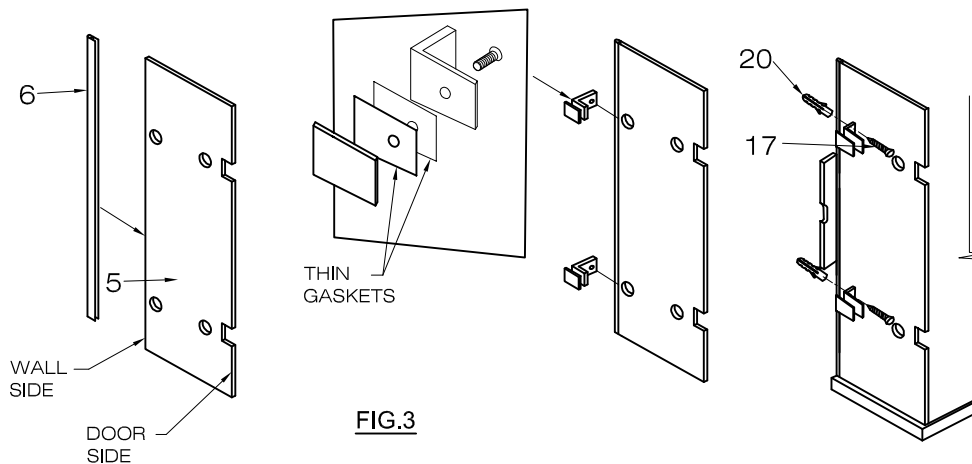


FIG.2A



B. INSTALLING THE FRONT & SIDE GLASS PANEL

1. Arrange glass to the preferred configuration. [SEE FIG.1A]
2. Install the seal strip (#6) to the wall side of the front glass panel (#5). [SEE FIG.3]
3. Screw in the glass support (#7) with the hex key to the front glass panel (#5). Be sure to use washers on both sides of the panel.
4. Place the front glass panel onto the bottom rail (#9).
5. Mark holes on the wall for the mounting screws.
6. Remove the front glass panel and drill holes into the wall. Insert the plastic anchors (#20) into the holes.
7. Replace the front glass panel. Screw into the wall with 1 5/8" screws (#17)
8. Repeat steps 1 through 7 for side glass panel (#4). [SEE FIG.4]



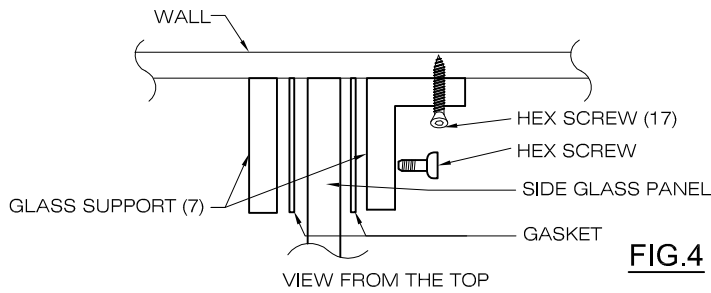


FIG.4

C. INSTALLING THE HANDLE

Assemble the door handles (#12) to the door (#13). [SEE FIG.5]

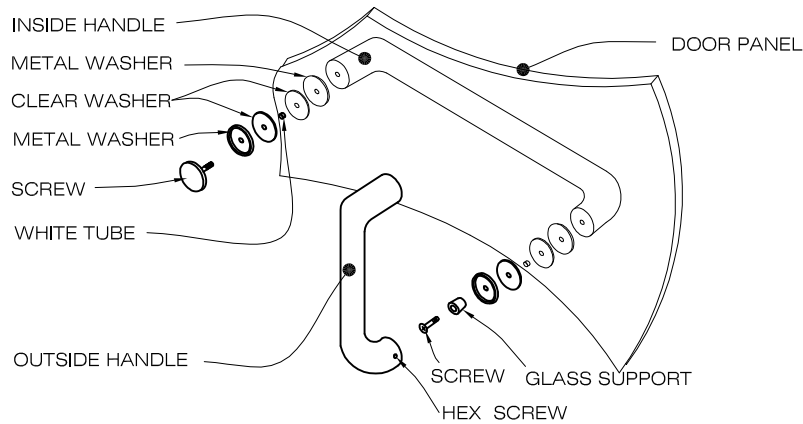


FIG.5

D. INSTALLING THE HINGE

1. Clean the glass surface where the hinges (#8) are to be installed with rubbing alcohol.
2. Screw the glass hinge (#8) to the front panel (#5) with a washer on each side of the panel as shown. Use hex key. [SEE FIG.6]
3. Six small rubber gaskets are provided with the two hinges, these gaskets are spacers to fit between the top or bottom portion of the hinge and the glass. This will provide a tight fit and will not allow the door any movement in the fully installed position. Note that only four will be needed but six are provided.

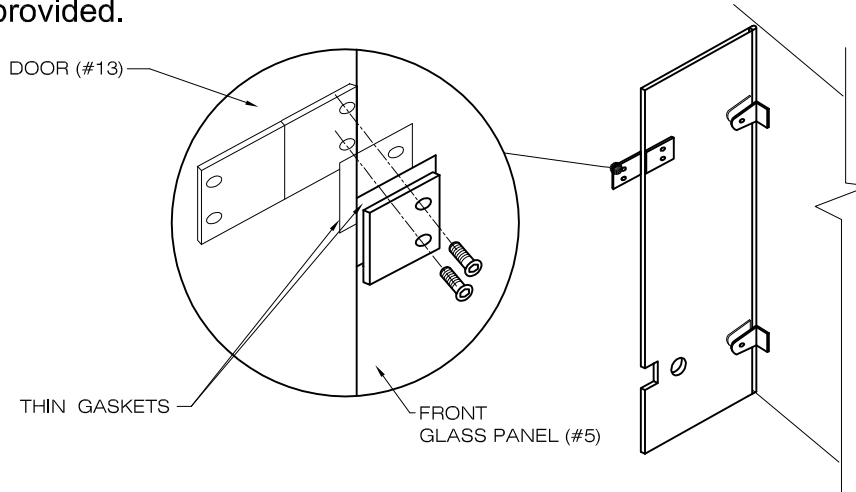


FIG.6 VIEW FROM INSIDE

E. INSTALLING THE WATER SEAL STRIP

1. Clean all glass panel edges receiving seal strips with rubbing alcohol. [SEE FIG.7]
2. Cut seal strips (#10, #15) according to seal strip diagram (FIG.7).
3. Verify that the seal strip lips are facing toward the inside of the cabin.
4. Install seal strips according to seal strip diagram (FIG.7).
5. Depending on the installation it may be necessary to notch the flange part of the door side seal strip (#14) in order to have the door close in a smooth manner with out crushing the flange. This application will only occur when the door is in closest/tightest position to the front glass panel. When the door is pulled away from the front fixed panel the seal may not need to be knotted.

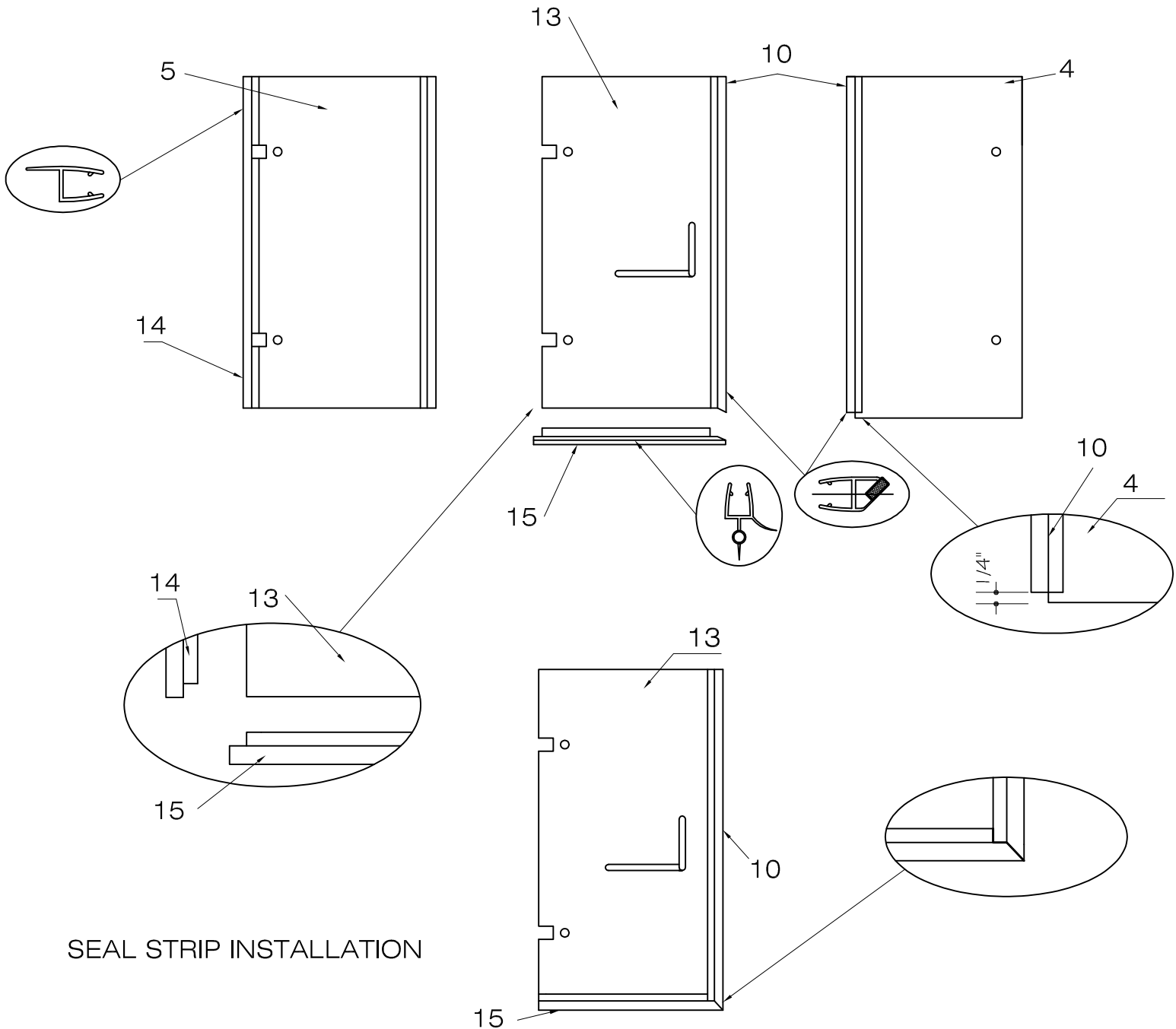


FIG.7

F. INSTALLING THE DOOR PANEL

⚠ WARNING

DOOR PANEL INSTALLATION REQUIRES TWO OR MORE PEOPLE TO ASSIST

1. Clean all glass surfaces where the hinges (#8) are to be installed with rubbing alcohol.
2. Position the door onto the hinges
3. Place thin gasket on each of the doors, between the glass and the hinge. Continue to hold door in position. [SEE FIG.8]
4. Install the hinges as illustrated (FIG.8) using the allen key (supplied with the hinges).
5. See step 3 under installation of the hinges.
6. Repeat Steps 1 through 5 for the other hinges.

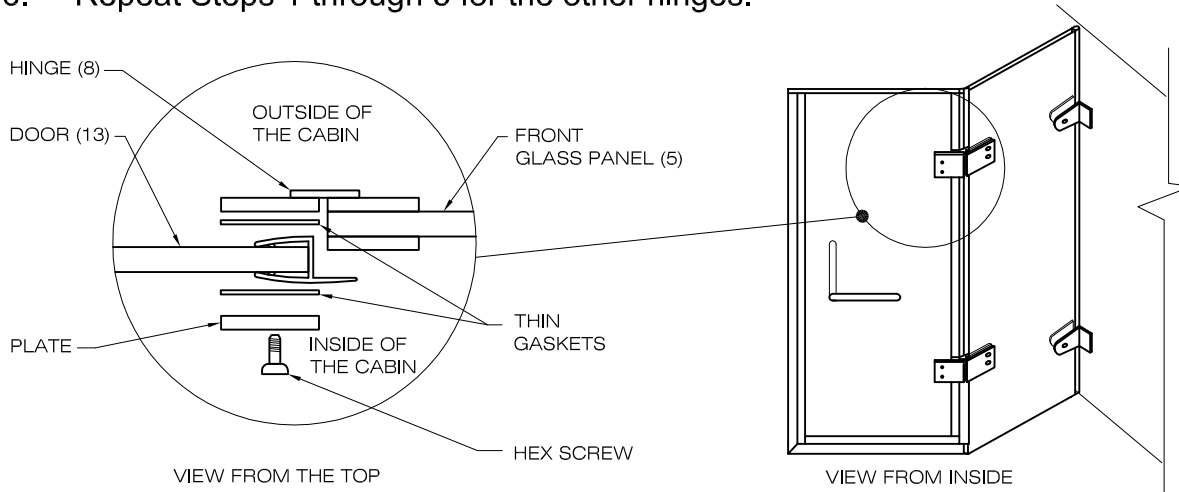


FIG.8

G. INSTALLING THE SIDE & FRONT PANEL SUPPORT

1. Install the glass support assembly (#3) to the panel approximately two-thirds from the wall.
2. Tighten screws with the supplied hex key.
3. Install the wall connector (#1) and the structural arm (#2) to the support assembly (#3).
4. Mark holes on the wall for mounting screws.
5. Move the support assembly aside. Drill holes into the wall and place the plastic anchors (#19) into the holes.
6. Move support assembly back into place. Screw into wall with 1-1/8" screws (#16).
7. Tighten all screws. [SEE FIG.9]
8. Repeat Steps 1 through 7 for the other support assembly.

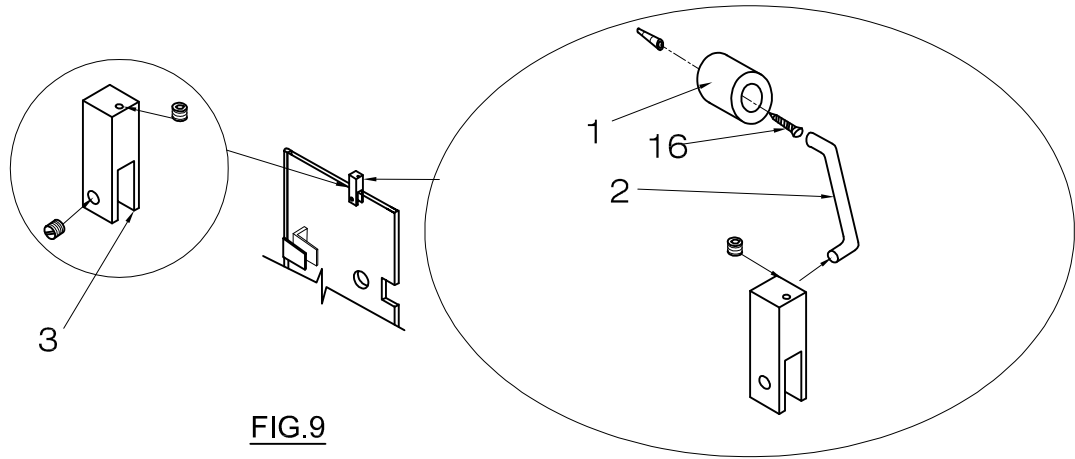


FIG.9

H. APPLYING THE SILICONE

1. Apply clear silicone caulking to the inside between the wall and side seal strip. Repeat for the other side. [SEE FIG.10]
2. Apply clear silicone caulking to the inside between the side panel bottom and the bottom rail.
3. Apply clear silicone caulking around the inside perimeter of the bottom rail.
4. Apply silicone where the corner joints meet the base rails.

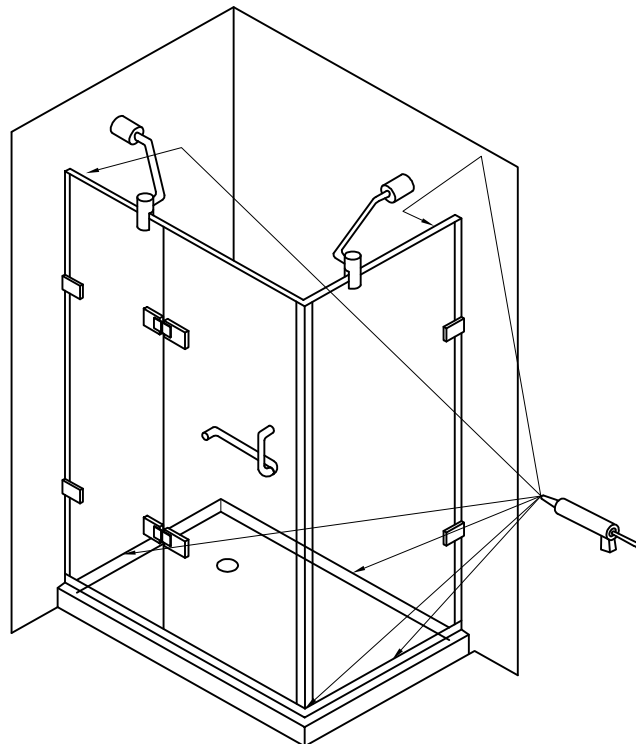
I. INSTALLING HEX SCREW COVERS

1. Install hex screw covers (#21) to the hex screws that mount the hinges, wall connectors, and glass supports.

! IMPORTANT

- WAIT 24 HOURS BEFORE USING SHOWER
- DO NOT ALLOW WATER TO DIRECTLY HIT DOOR SEAL STRIPS

FIG.10



CLEANING INSTRUCTIONS FOR THE SHOWER CABIN AND DOOR PANEL

- A. Use mild liquid household cleaners to keep metal surface bright and clean. Rinse well and dry with a clean cloth.
- B. Remove dust with a soft, damp cloth.
- C. Use rubbing alcohol to clean and remove grease, oil, paint, and ink.
- D. Accidental scratches or stains will rarely show. If they do show, they can be easily removed with a liquid automobile polish.

IMPORTANT

- Do NOT use abrasive cleaners, scrapers, metal brushes, or any items/products that would scratch and/or dull surface.
- Do NOT allow surface to come into contact with acetone (nail polish remover), dry cleaning solution, lacquer thinner, gasoline, or any other similar product.

VIGO INDUSTRIES, LLC ("VIGO")
SHOWER ENCLOSURE LIMITED LIFETIME WARRANTY

EFFECTIVE JANUARY 1, 2010

VIGO offers the following limited warranty on each of its Shower Enclosure products* (the "Product") and the components thereof. This warranty extends only to the original owner or end-user for personal household use. For commercial uses, additional limitations apply.

VIGO warrants the structural glass component of the Product to be free from defects in workmanship and materials under normal use and service for the period commencing from the initial date of purchase by the owner or end-user, contractor, or builder, from VIGO or an authorized VIGO dealer, through the lifetime of the original owner or end-user.

VIGO warrants the hardware components of the Product to be free from defects in workmanship and materials under normal use and service for a period of two (2) years from the initial date of purchase by the owner or end-user, contractor, or builder, from VIGO or an authorized VIGO dealer.

VIGO warrants the seal strip components of the Product to be free from defects in workmanship and materials under normal use and service for a period of one (1) year from the initial date of purchase by the owner or end-user, contractor, or builder, from VIGO or an authorized VIGO dealer.

Subject to the Warranty Service provision below, any product reported to the authorized dealer or to VIGO as being defective within the warranty period will be repaired or replaced (with a product of equal value) at the option of VIGO. This warranty extends to the original owner or end-user and is not transferable to a subsequent owner.

Neither the distributor, authorized VIGO dealer, nor any other person has been authorized to make any affirmation, representation, or warranty other than those contained in this warranty. Any affirmation, representation, or warranty other than those contained in this warranty shall not be enforceable against VIGO or any other person.

VIGO reserves the right to modify this warranty at any time, it being understood that such modifications will not alter the warranty conditions applicable at the time of sale of the products in question.

Limitations

This warranty shall not apply to instances of incorrect operating procedures, breakages, or damages caused by fault through improper installation, carelessness, abuse, misuse, misapplication, improper maintenance, or alteration of the Product, as well as chemical or natural corrosion, accident, fire, flood, an act of God, or any other casualty. Avoid abrasive cleaners, steel wools, and harsh chemicals as these will scratch, damage, and / or dull the product and / or finish and void this warranty. The owner/end-user of the Product covered by the present warranty is entirely responsible for its proper installation and any applicable plumbing or electrical wiring. VIGO neither installs nor supervises the installation nor hires a contractor for this purpose; consequently, VIGO cannot be held responsible for any default, breakage, or damages caused thereby or resulting thereof, either directly or indirectly.

The owner/end-user must provide access to the components of the Product as described in the installation guide so that VIGO can execute the warranty specified herein. If such access is not available, all expenses to provide said access will be the responsibility of the owner/end-user.

This warranty does not apply to Products that have not been installed or operated in accordance with instructions supplied by VIGO and all applicable rules, regulations, and legislation pertaining to such installations.

This warranty does not apply unless the VIGO Product is installed by fully insured licensed professionals. VIGO strongly recommends that such licensed professionals have experience in the installation of bathroom and kitchen products. Installation of certain products, including, without limitation, glass products (i.e., shower doors and glass sinks) by an inexperienced person may result in glass breakage and, consequently, cause personal injury or death.

VIGO is not liable for personal injuries or deaths to any persons or for any direct, special, incidental, or consequential damage, loss of time, loss of profits, inconvenience, incidental expenses, labor or material charges, or any other costs resulting from the use of the product or equipment or pertaining to the application of the present warranty, or resulting from the removal or replacement of any product or element or part covered by this warranty.

EXCEPT AS OTHERWISE PROVIDED ABOVE, VIGO MAKES NO WARRANTIES, EXPRESSED OR IMPLIED, INCLUDING WARRANTIES OF MERCHANTABILITY AND FITNESS FOR A PARTICULAR PURPOSE OR COMPLIANCE WITH ANY CODE.

In any case, VIGO cannot be held liable for any amount over and above the purchase price paid for the Product by the owner/end-user, contractor, or builder.

Commercial Limitations

In addition to the above conditions and limitations, the warranty period for products installed for commercial applications or used in commercial ventures is one (1) year from the initial date of purchase by the owner/end-user, contractor, or builder from an authorized dealer. VIGO is not responsible for loss of use or profit under any circumstances. If the product is used as a display, the warranty period begins when the product is placed on display. This warranty gives the owner/end-user specific legal rights. The owner/end-user may also have other rights which can vary from one state or province to another.

Warranty Service

In order to obtain service provided under this warranty during regular business hours, contact the dealer or distributor who sold the unit, or contact VIGO directly. VIGO will provide the warranty service described above when the following conditions have been met: the failure is of the nature or type covered by the warranty; the user has informed an authorized VIGO Agent or VIGO's warranty service department representative of the nature of the problem during the warranty period; conclusive evidence (e.g., proof of purchase or installation) is provided to the foregoing by the user proving that the failure occurred or was discovered within the warranty period; an authorized independent service person or company representative has been permitted to inspect the product during regular business hours within a reasonable time after the problem was reported by the user. VIGO's warranty obligation shall be discharged upon tender of replacement or repair. The customer's refusal to accept the tender terminates VIGO's warranty obligations.

*Certain models are pending approval.

Certification may be ended by VIGO or certification agencies without notice.