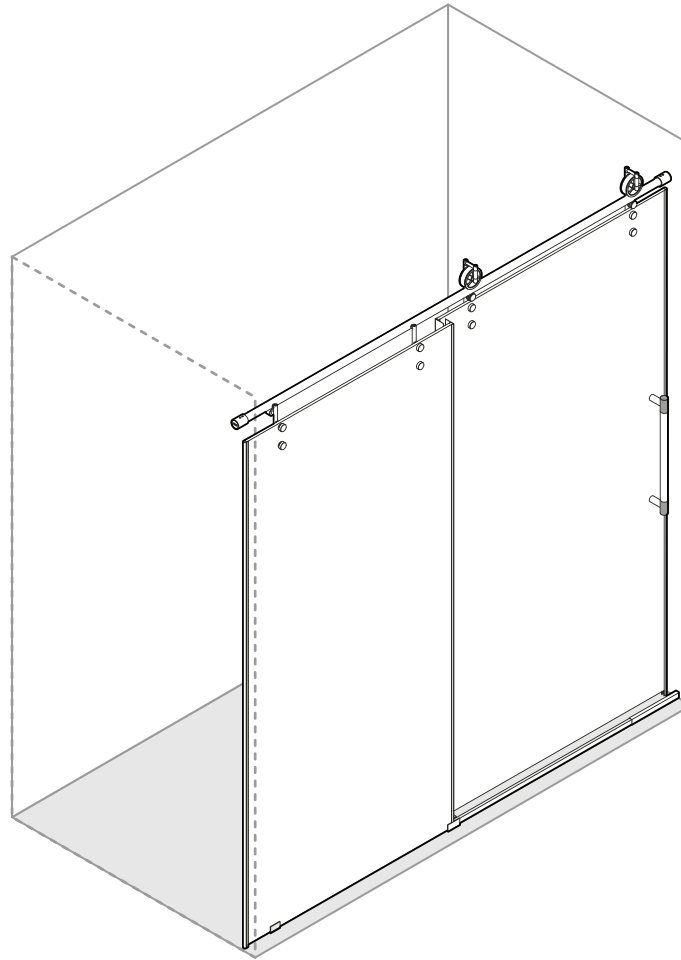


VIGO Hamilton Sliding Frameless Shower Door

VG06049



PRODUCT FEATURES





- Designed in NYC
- Includes all mounting hardware
- Constructed from ANSI Z97.1 and 16 CFR 1201-certified tempered glass
- RollerDisk™ Technology allows for up to 3/8" of adjustability as walls shift over time
- High-quality solid brass hardware resists corrosion and tarnishing
- All VIGO Shower Doors/ Screens feature a quality assured Limited Lifetime Warrant

CODES / STANDARDS



- ANSI 297.1 and 16 CFR 1201-certified glass
- All VIGO Shower Door have a Limited Lifetime Warranty

AVAILABLE FINISHES

Color**	Code	Description
	CH	Chrome
	ST	Stainless Steel
	MB	Matte Black
	MG	Matte Brushed Gold

\* See website for detailed warranty information.

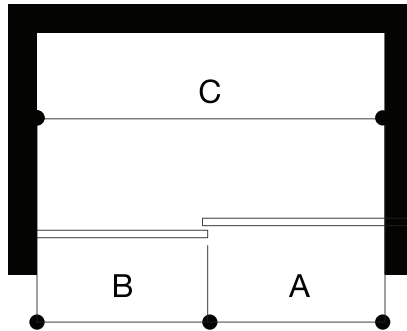
\*\*Color swatches intended for reference only.

**VIGO Hamilton Sliding Frameless Shower Door**

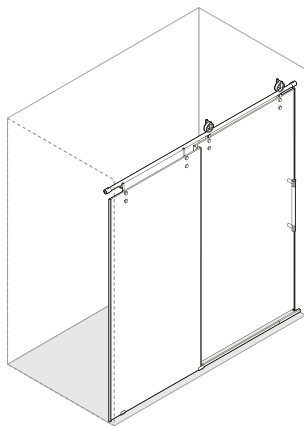
**VG06049**

**MEASUREMENTS**

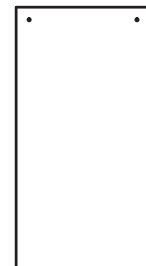
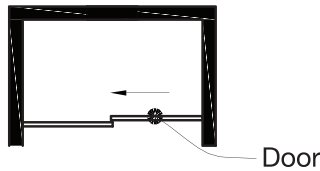
A, B & C dimensions were measured after shower enclosure was completely installed.



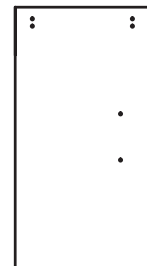
Model / Modelo / Modèle	A Door / Puerta / Porte	B Fixed Panel / Panel fijo / Panneau fixe	C Adjustable Width / Dimensión ajustable / Réglable largeur	Height / Altura / Hauteur	Door opening width / Ancho de apertura de puerta / Largeur d'ouverture de la porte
VG6049-6078	31 7/8" x 71 8/9"	28 3/8" x 72 2/5"	56" - 60"	78"	22 4/9" - 26 3/8"
VG6049-6068	31 7/8" x 61 8/9"	28 3/8" x 62 2/5"	56" - 60"	68"	22 4/9" - 26 3/8"



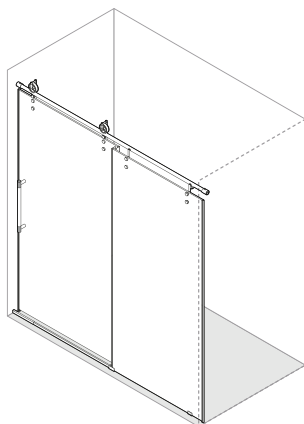
**Right installation**



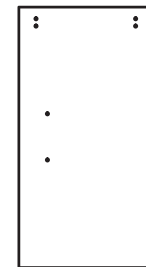
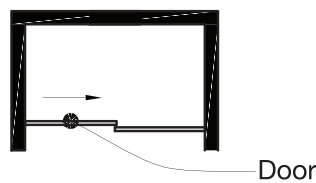
Fixed Panel



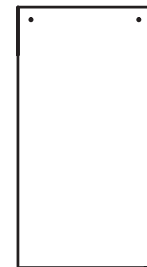
Door



**Left Installation**



Door



Fixed Panel