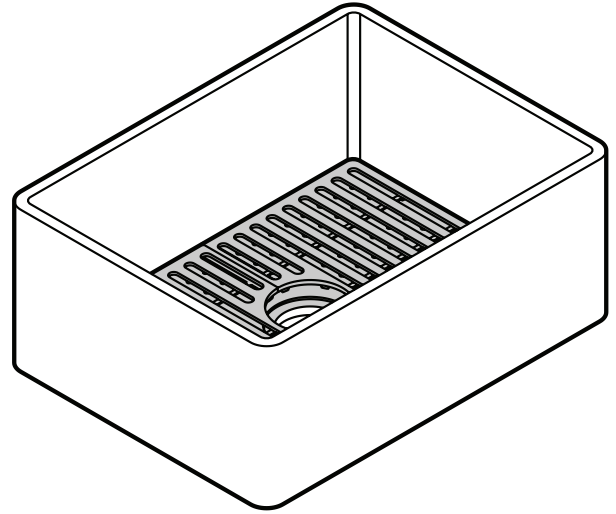


VIGO MATTE STONE KITCHEN SINK WITH SILICONE GRID
FREGADERO DE COCINA DE PIEDRA MATE VIGO CON REJILLA DE SILICONA
ÉVIER DE CUISINE EN PIERRE MATE VIGO AVEC GRILLE EN SILICONE

MODEL NUMBER / NÚMERO DE MODELO / NUMÉRO DE MODÈLE	VGRA2418FLK1
---------------------------------------------------------------	--------------

PRODUCT FEATURES / CARACTERÍSTICAS DEL PRODUCTO / CARACTÉRISTIQUES DU PRODUIT	
<ul style="list-style-type: none"> MatteStone™ Designed for functionality and easy cleaning Stain Resistant 10mm radius curved corners Limited Lifetime Warranty 	
<ul style="list-style-type: none"> MatteStone™ Diseñado para funcionalidad y fácil limpieza Resistente a las manchas Esquinas curvas de 10mm de radio Garantía limitada de por vida 	
<ul style="list-style-type: none"> MatteStone™ Conçu pour la fonctionnalité et un nettoyage facile Résistant aux taches Coins incurvés de rayon de 10mm Garantie à vie limitée 	



MEASUREMENTS / MEDIDAS / MESURES	
Length (when assembled) / Longitud (cuando está ensamblado) / Longueur (une fois assemblé)	24" (609.6mm)
Width (when assembled) / Ancho (cuando está ensamblado) / Largeur (une fois assemblé)	18" (457.2mm)
Height (when assembled) / Altura (cuando está ensamblado) / Hauteur (une fois assemblé)	9 5/8" (245mm)
Standard Drain Opening / Diámetro estándar del desagüe / Ouverture de drain standard	3 1/2" (90mm)
Basket Strainer Diameter / Diámetro del colador de la cesta / Diamètre de la crépine du panier	4 5/8" (117mm)

CERTIFICATE & WARRANTY / CERTIFICADO & GARANTÍA / CERTIFICAT & GARANTIE
<p>All VIGO Bathroom Sinks have a Limited Lifetime Warranty</p> <p>Todos los Lavabos de Baño VIGO tienen una Garantía Limitada de Por Vida</p> <p>Toutes les lavabos VIGO bénéficient d'une garantie de qualité limitée à vie</p>

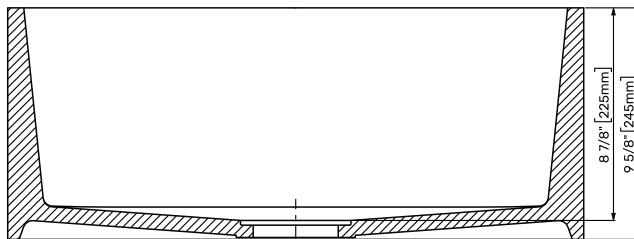
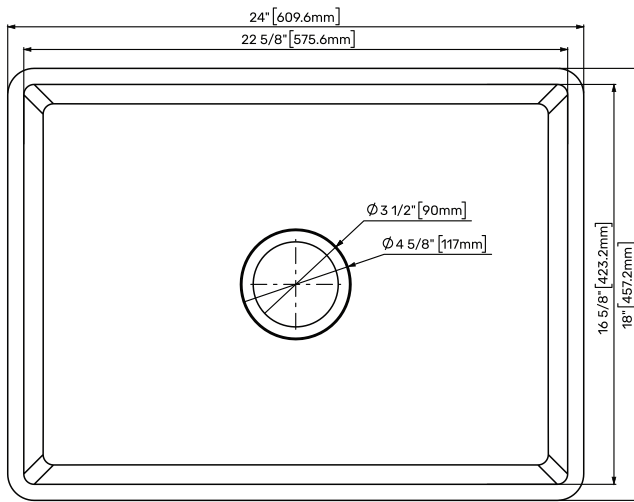
SUGGESTED TOOLS LIST / LISTA DE HERRAMIENTAS SUGERIDAS / LISTE DES OUTILS SUGGÉRÉS
<ul style="list-style-type: none"> Plumber's Putty (optional) Tape Measure
<ul style="list-style-type: none"> Masilla de plomero (opcional) Cinta métrica
<ul style="list-style-type: none"> Mastic de plombier (optionnel) Ruban à mesurer

REGISTER YOUR PRODUCT
REGISTRAR SU PRODUCTO
ENREGISTREZ VOTRE PRODUIT

QUESTION? / ¿PREGUNTA? / QUESTION?
<p>For installation help, missing or replacement parts, please contact our product specialist for consultation. / Para obtener ayuda con la instalación, piezas faltantes o de repuesto, comuníquese con nuestro especialista en productos para consultarlo. / Pour obtenir de l'aide lors de l'installation, des pièces manquantes ou des pièces de rechange, veuillez contacter notre spécialiste en produits pour obtenir des conseils.</p>
<p>+1 866-591-7792 (Option 2) (9:30am - 5:30pm EST) sf@vigoindustries.com</p>

In order to activate your warranty, you must register your product
 Es necesario registrar su producto para activar su garantía
 Pour activer votre garantie, vous devrez enregistrer votre produit

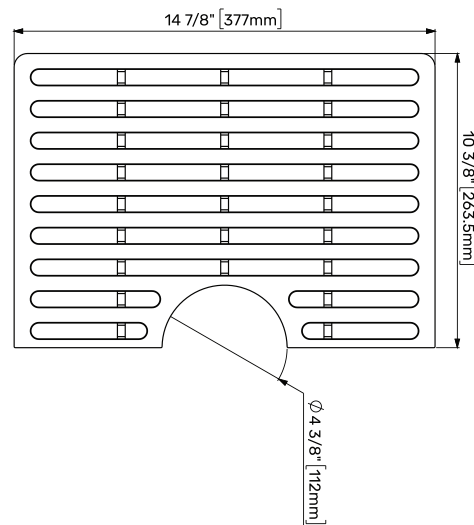
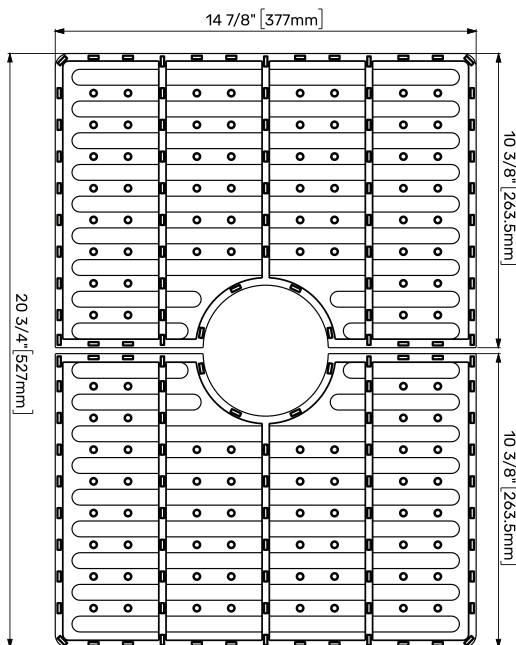
vigoindustries.com/register



NOTE: Due to the nature of the material, models can differ up to 5 mm from the listed dimensions. We advise that you do not cut your countertop based off of the dimensions in the specifications area of the website, but instead wait until your sink arrives to measure and cut the countertop to ensure a perfect fit.

NOTA: Debido a la naturaleza del material, los modelos pueden diferir hasta 5 mm de las dimensiones indicadas. Le recomendamos que no corte su encimera según las dimensiones en el área de especificaciones del sitio web, sino que espere hasta que su fregadero llegue a medir y corte la encimera para asegurar un ajuste perfecto.

REMARQUE: En raison de la nature du matériau, les modèles peuvent différer jusqu'à 5 mm des dimensions indiquées. Nous vous conseillons de ne pas couper votre comptoir en fonction des dimensions indiquées dans la zone des spécifications du site Web, mais d'attendre plutôt que votre évier arrive pour mesurer et couper le comptoir pour assurer un ajustement parfait.



Parts List / Lista de partes / Liste des pièces

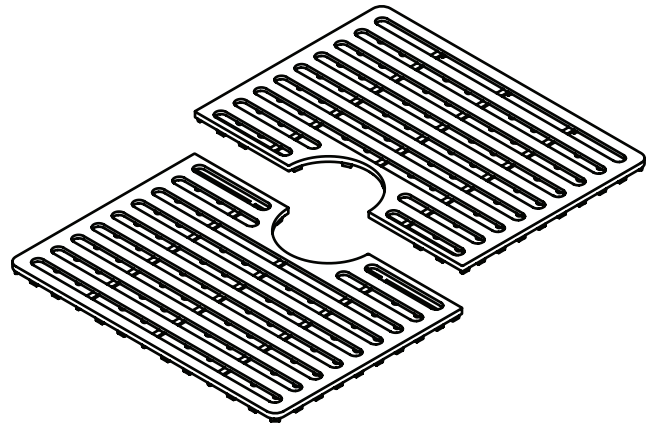
VGRA2418FLK1

VRGA2418FL	VIGO 24"Matte Stone Farmhouse Kitchen Sink
VGSG2418	VIGO Protective Sink Grid
VGSTRAINERFH	VIGO Kitchen Sink Strainer

VRGA2418FL	Fregadero de cocina estilo granja de piedra mate de 24 pulgadas VIGO
VGSG2418	Rejilla protectora para fregadero VIGO
VGSTRAINERFH	Colador de fregadero de cocina VIGO

VRGA2418FL	Évier de cuisine de ferme en pierre mate 24" VIGO
VGSG2418	Grille de protection pour lavabo VIGO
VGSTRAINERFH	Crépine d'évier de cuisine VIGO

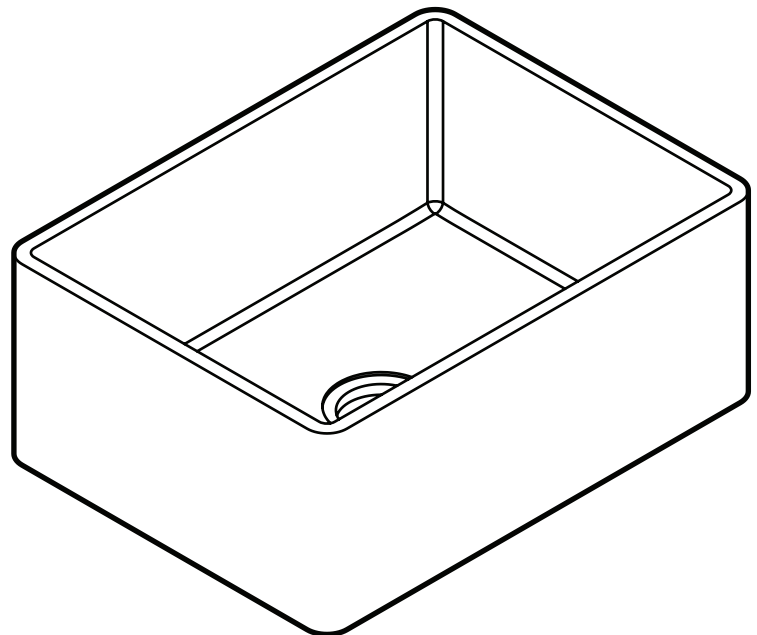
VGSG2418



VGSTRAINERFH



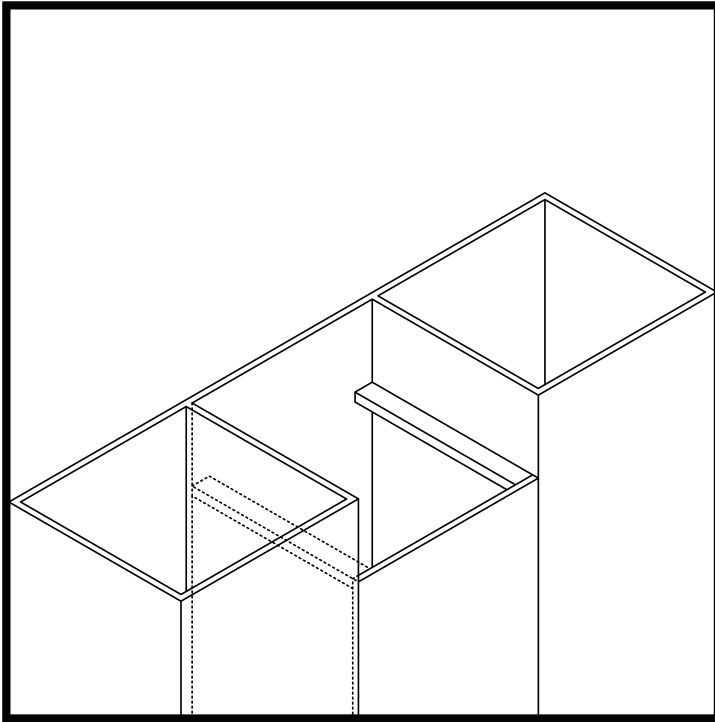
VRGA2418FL



INSTALLATION STEPS / PASOS DE INSTALACIÓN / ÉTAPES D'INSTALLATION

VGRA2418FLK1

NOTE: Installation must be done by a qualified, licensed plumber. The contractor must perform a dry fit prior to drilling hole in the counter top for the sink. / NOTA: La instalación debe ser realizada por un plomero calificado y con licencia. El contratista deberá tomar las medidas en seco antes de perforar los orificios en la encimera del lavabo. / REMARQUE : L'installation doit être effectuée par un professionnel qualifié et licencié. L'entrepreneur devra effectuer un ajustement à sec avant de percer des trous dans le comptoir du lavabo.



SINK CABINET PREPARATION / PREPARACIÓN DEL GABINETE DEL FREGADERO / PRÉPARATION DU MEUBLE ÉVIER

- A custom cabinet and support system is required for the proper installation of a VIGO Matte Stone Farmhouse sink.

NOTE: It is best for the cabinet maker to have the actual sink in order to ensure exact dimensions needed for proper fit with enough space for the sink drain, garbage disposal, and faucet supply lines.

- Add 1/16" to this dimension when you mark the base cabinet front. Based on the sink measurements, build supports on the inside of the cabinet that will support at least 300 pounds — accounting for the weight of the sink and garbage disposal.

- Se requiere un gabinete personalizado y un sistema de soporte para la instalación adecuada de un fregadero VIGO Matte Stone Farmhouse.

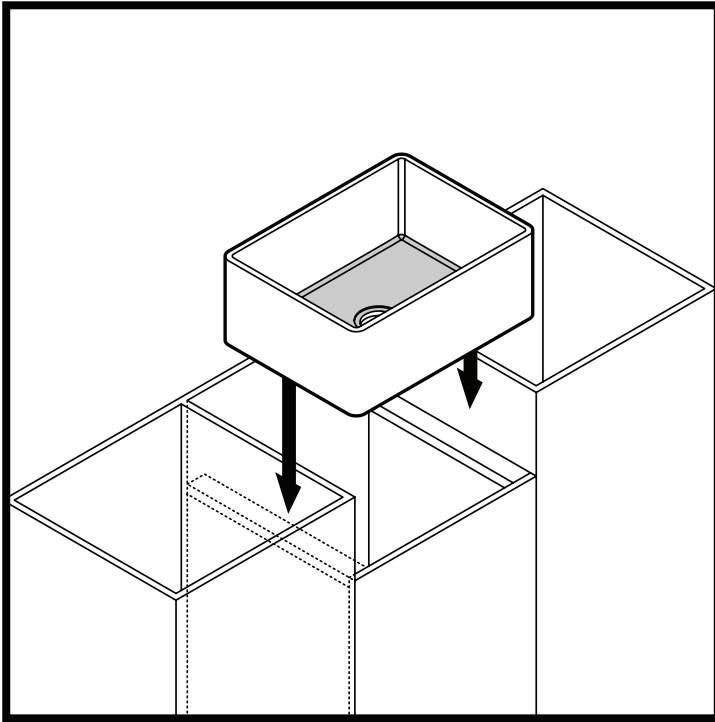
NOTA: Es mejor que el ebanista tenga el fregadero real para garantizar las dimensiones exactas necesarias para un ajuste adecuado con suficiente espacio para el desagüe del fregadero, el triturador de basura y las líneas de suministro del grifo.

- Agregue 1/16" a esta dimensión cuando marque el frente del gabinete de la base. Según las medidas del fregadero, construya soportes en el interior del gabinete que soporten al menos 300 libras, teniendo en cuenta el peso del fregadero y el triturador de basura.

- Une armoire et un système de support personnalisés sont requis pour l'installation correcte d'un évier VIGO Matte Stone Farmhouse.

REMARQUE : Il est préférable pour l'ébéniste d'avoir l'évier réel afin d'assurer les dimensions exactes nécessaires pour un ajustement approprié avec suffisamment d'espace pour le drain de l'évier, l'élimination des déchets et les conduites d'alimentation du robinet.

- Ajoutez 1/16" à cette dimension lorsque vous marquez la façade de l'armoire de base. Sur la base des mesures de l'évier, construisez des supports à l'intérieur de l'armoire qui supporteront au moins 300 livres, ce qui représente le poids de l'évier et de l'élimination des déchets.



STEP 1: SINK INSTALLATION / PASO 1: INSTALACIÓN DEL FREGADERO / ÉTAPE 1 : INSTALLATION DE L'ÉVIER

- Place the sink the cabinet opening, ensuring the sink is level front to back and side to side
- Use silicone filler to fill in gaps where needed

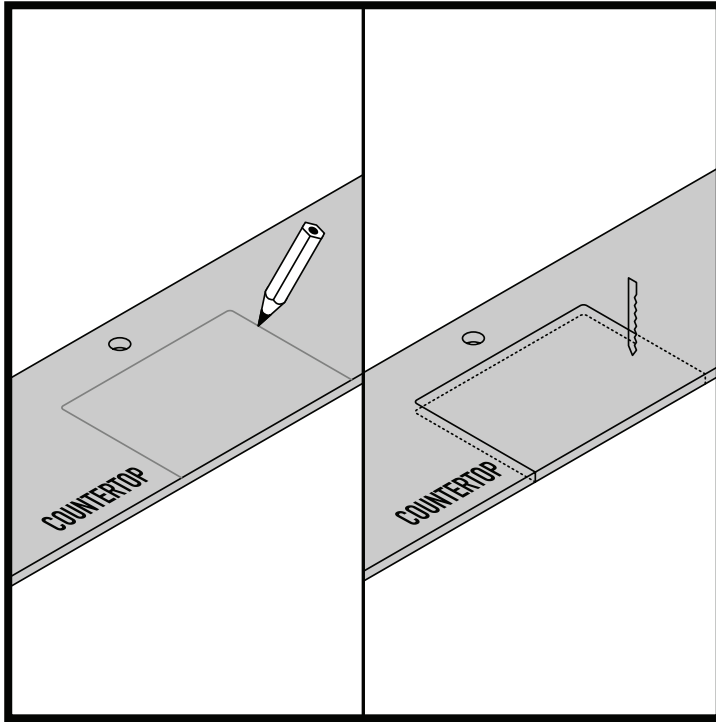
NOTE: This sink is reversible. Prior to installing the sink, decide which side you want to face forward.

- Coloque el fregadero en la abertura del gabinete, asegurándose de que el fregadero esté nivelado de adelante hacia atrás y de lado a lado
- Use relleno de silicona para llenar los espacios donde sea necesario

NOTA: Este lavabo es reversible. Antes de instalar el fregadero, decida qué lado quiere mirar hacia adelante.

- Placez l'évier dans l'ouverture de l'armoire, en vous assurant que l'évier est de niveau d'avant en arrière et d'un côté à l'autre
- Utilisez un mastic silicone pour combler les vides si nécessaire

REMARQUE : cet évier est réversible. Avant d'installer l'évier, décidez de quel côté vous voulez faire face vers l'avant.



STEP 2: COUNTERTOP PREPARATION / PASO 2: PREPARACIÓN DE LA ENCIMERA / ÉTAPE 2 : PRÉPARATION DU COMPTOIR

- Cut the front of the countertop using a jigsaw.

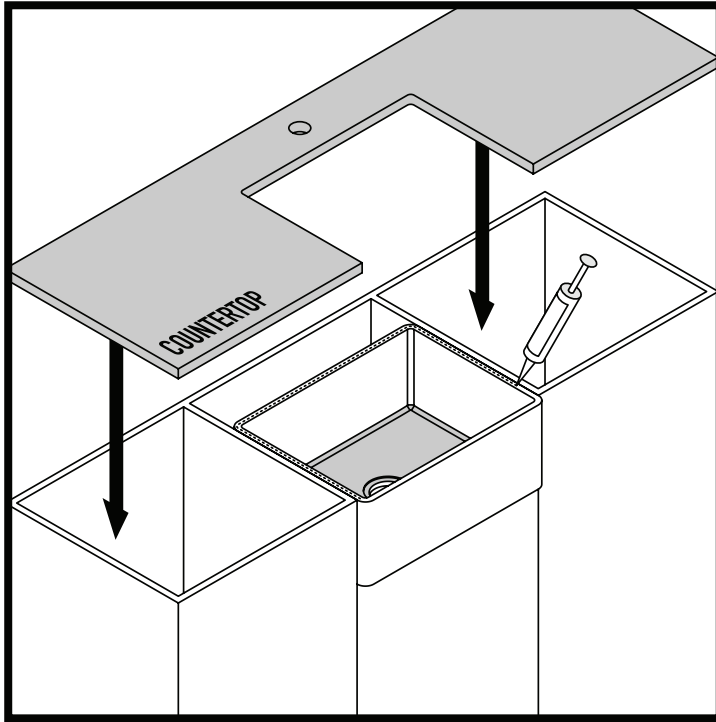
NOTE: VIGO recommends providing a countertop fabricator with the actual sink, as there is no template included due to the unique installation requirements.

- Corta el frente de la encimera con una sierra de vaivén.

NOTA: VIGO recomienda proporcionar a un fabricante de encimeras el fregadero real, ya que no se incluye una plantilla debido a los requisitos de instalación únicos.

Découpez le devant du plan de travail à l'aide d'une scie sauteuse.

REMARQUE : VIGO recommande de fournir un fabricant de comptoirs avec l'évier réel, car aucun modèle n'est inclus en raison des exigences d'installation uniques.



STEP 3: COUNTERTOP INSTALLATION / PASO 3: INSTALACIÓN DE LA ENCIMERA / ÉTAPE 3 : INSTALLATION DU COMPTOIR

- To install the countertop, place a bead of silicone or sealer on top of the sides and rear ledges of the sink rim.
- Before placing the countertop onto the sink, double check that the sink is aligned with the countertop cutout.
- Place the countertop onto the sink and press down firmly.

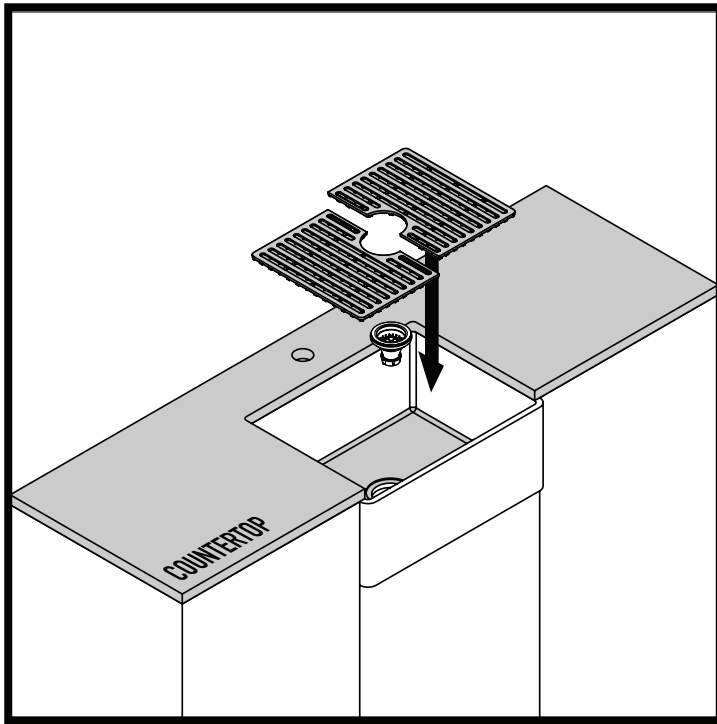
NOTE: To remove any excess sealant, use acetone or denatured alcohol.

- Para instalar la encimera, coloque una gota de silicona o sellador en la parte superior de los lados y las repisas traseras del borde del fregadero.
- Antes de colocar la encimera sobre el fregadero, verifique que el fregadero esté alineado con el corte de la encimera.
- Coloque la encimera sobre el fregadero y presione firmemente.

NOTA: Para eliminar cualquier exceso de sellador, use acetona o alcohol desnaturalizado.

- Pour installer le comptoir, placez un cordon de silicone ou de scellant sur les côtés et les rebords arrière du rebord de l'évier.
- Avant de placer le comptoir sur l'évier, vérifiez que l'évier est aligné avec la découpe du comptoir.
- Placez le plan de travail sur l'évier et appuyez fermement.

REMARQUE : Pour éliminer tout excès de mastic, utilisez de l'acétone ou de l'alcool dénaturé.

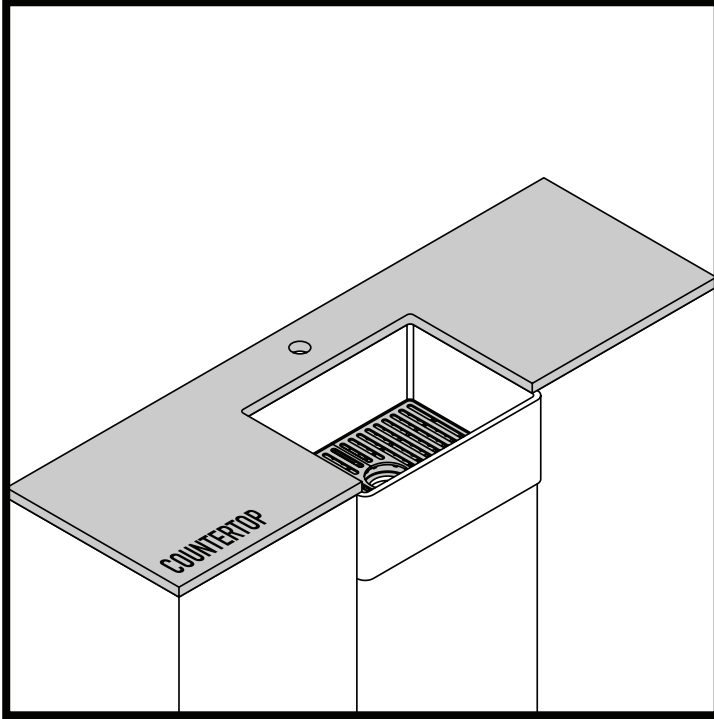


STEP 4: ACCESSORIES / PASO 4: ACCESORIOS / ÉTAPE 4 : ACCESSOIRES

- Connect the drain, p-trap or garbage disposal, and water supply lines to the faucet.
- Turn on the faucet and allow water to run in the sink to check for leaks.
- Finally, place the silicone sink grid into the sink.

-
- Conecte el desagüe, el sifón o el triturador de basura y las líneas de suministro de agua al grifo.
 - Abra el grifo y deje correr el agua en el fregadero para verificar si hay fugas.
 - Por último, coloque la rejilla de silicona del fregadero en el fregadero.

-
- Raccordez le drain, le siphon en p ou l'élimination des déchets et les conduites d'alimentation en eau au robinet.
 - Ouvrez le robinet et laissez couler l'eau dans l'évier pour vérifier s'il y a des fuites.
 - Enfin, placez la grille d'évier en silicone dans l'évier.



STEP 5: COMPLETE YOUR WORKSTATION / COMPLETE SU ESTACIÓN DE TRABAJO / COMPLÉTEZ VOTRE POSTE DE TRAVAIL

• Once all your accessories are added, it's time to enjoy your new Matte Stone™ kitchen sink.

• Una vez que hayas agregado todos tus accesorios, es hora de disfrutar de tu nuevo fregadero de cocina Matte Stone™.

• Une fois tous vos accessoires ajoutés, il est temps de profiter de votre nouvel évier de cuisine Matte Stone™.

REMOVING YOUR OLD LAVATORY / CÓMO QUITAR SU LAVABO ANTIGUO / ENLÈVEMENT DE VOTRE VIEUX LAVABO

Be sure to close the faucets before you turn on the main valve again. Disconnect the drain pipes. Take off as many sections as possible between the lavatory and the wall or floor to facilitate removal. Place a basin under the work area to catch any water that may still be in the drain.

Asegúrese de cerrar los grifos antes de volver a abrir la válvula principal. Desconecte los tubos de drenaje. Quite tantas secciones como sea posible entre el lavabo y la pared o el piso para facilitar la remoción. Coloque una palangana debajo del área de trabajo para recoger el agua que aún pueda estar en el desagüe.

Assurez-vous de fermer les robinets avant d'ouvrir à nouveau la vanne principale. Débranchez les tuyaux de vidange. Enlevez autant de sections que possible entre les toilettes et le mur ou le sol pour faciliter le retrait. Placez un bassin sous la zone de travail pour récupérer l'eau qui pourrait encore se trouver dans le drain.

SHARE YOUR VIGO PRODUCT AND GET FEATURED!

We hope you love your new VIGO item as much as we do! Feel free to leave a review on vigoindustries.com and don't forget to share any photos on Instagram with [#vigoindustries](https://www.instagram.com/vigoindustries). The best renovations will be featured on blog.vigoindustries.com and [@vigoindustries](https://www.instagram.com/vigoindustries) social media.

Share your VIGO product and tag

#vigoindustries

for a chance to be featured.



vigoindustries

VIGO INDUSTRIES, LLC (“VIGO”) EFFECTIVE JANUARY 1, 2019

VIGO offers the following limited warranty on each of its KITCHEN SINK Products* (the “Product”). This warranty extends only to the original purchaser/end-user for personal household use and is not transferrable. For commercial use, additional limitations apply. VIGO warrants the Product to be free from defects in workmanship and materials under normal household use for the lifetime of the product by the original purchaser/end-user. Subject to the Warranty provisions below, any product reported to VIGO or an authorized dealer as being defective within the warranty period will receive replacement parts and/or troubleshooting assistance to correct the issue. If a replacement unit is deemed necessary by VIGO, the replacement will be made with the same model (or with a product of equal value). This warranty extends to the original purchaser/end-user and is not transferrable to a subsequent owner. Neither the distributor, authorized dealer, nor any other person has been authorized to make any affirmation, representation, or warranty other than those contained in this warranty. Products sold in “as-is” condition, closeouts, discounted, resale, return purchases or purchases made through non-authorized dealers are not covered under the terms of this warranty. Any affirmation, representation, or warranty other than those contained in this warranty shall not be enforceable against VIGO or any other person. VIGO reserves the right to modify this warranty at any time with the understanding that such modifications will not alter the warranty conditions applicable at the time of sale for the products in question.

LIMITATIONS

This warranty shall not apply to instances of incorrect operating procedures, breakages, or damages caused by fault through improper installation, carelessness, abuse, misuse, misapplication, improper maintenance, or alteration of the Product, as well as damage due to hard water, chemical or natural corrosion, accident, fire, flood, an act of God, or any other casualty. When cleaning, handling, and maintaining the Product, avoid abrasive cleaners, steel wools, and harsh chemicals as these will scratch, damage and/or dull the product and/or finish and void this warranty. The owner/end-user of the Product covered by the present warranty is entirely responsible for all labor costs, proper installation and any applicable plumbing or electrical wiring. VIGO neither installs nor supervises installation, nor hires contractors for this purpose. VIGO cannot be held responsible for any default, breakage, or damages caused thereby or resulting thereof, either directly or indirectly. The owner/end-user must provide requested images, photos, videos of the Product as described in the installation guide so that VIGO can properly troubleshoot and execute the warranty specified herein. All repair expenses and labor are the responsibility of the owner/end-user. This warranty does not apply to Products that have not been installed or operated in accordance with instructions supplied by VIGO and all applicable rules, regulations, and legislation pertaining to such installations. This warranty does not apply unless the VIGO Product is installed by a fully insured, licensed professional. VIGO strongly recommends that such licensed professional have experience in the installation of bathroom and kitchen products. Installation of certain products, including but not limited to glass products (i.e. shower doors and glass sinks) by an inexperienced person may result in glass breakage, and consequently may cause personal injury or death. VIGO is not liable for personal injuries or deaths to any persons or for any direct special, incidental or consequential damage, loss of time, loss of profits, inconvenience, incidental expenses, labor or material charges, or other costs resulting from the use of the Product or equipment pertaining to the application of the present warranty, or resulting from the removal or replacement of any product or element or part covered by this warranty.

EXCEPT AS OTHERWISE PROVIDED ABOVE, VIGO MAKES NO WARRANTIES, EXPRESSED OR IMPLIED, INCLUDING WARRANTIES OF MERCHANTABILITY AND FITNESS FOR A PARTICULAR PURCHASE OR COMPLIANCE WITH ANY CODE. VIGO cannot be held liable for any amount over and above the purchase price paid for the Product by the owner/end-user, contractor, builder, or other installation professional.

COMMERCIAL LIMITATIONS

In addition to the above conditions and limitations, the warranty period for the products installed for commercial applications or used in commercial ventures is ONE (1) year from the initial date of purchase by the owner/end-user, contractor, or builder from an authorized dealer. VIGO is not responsible for loss of use or profit under any circumstances. If the product is used as a display, the warranty period begins when the product is placed on display. This warranty gives the owner/end-user specific legal rights. The owner/end-user may also have other rights which may vary from one state or province to another.

WARRANTY CONDITIONS

In order to obtain the warranty provided, please contact the VIGO Product Support Department during normal business hours at **866-591-7792**, option 2 or via email at **SUPPORT@VIGOINDUSTRIES.COM**. VIGO will assist with troubleshooting and provide replacement parts as described above when the following conditions have been met: the failure is of the nature or type covered by the warranty; the user has informed VIGO of the nature of the problem during the warranty period; conclusive evidence (e.g. proof of purchase and images, video, etc.) is provided to the foregoing by the user proving that the failure occurred or was discovered within the warranty period. VIGO’s warranty obligation shall be discharged upon tender of replacement parts or product replacement. The customer’s refusal to accept the tender terminates VIGO’s warranty obligations.

*Certain models are pending approval.
Certification may be ended by VIGO or certification agencies without notice.

VIGO INDUSTRIES, LLC (“VIGO”) VIGENCIA: 1 DE ENERO DE 2019

VIGO ofrece la siguiente garantía limitada para cada uno de sus Productos FREGADERO DE COCINA* (el “Producto”). La presente garantía es otorgada únicamente al comprador/usuario final original y exclusivamente para uso doméstico personal, siendo intransferible. Existen limitaciones adicionales aplicables a un uso comercial. VIGO garantiza que los componentes mecánicos están libres de defectos en su mano de obra y sus materiales para un uso doméstico normal por parte del comprador/usuario final, contratista o constructor durante el período de UN (1) año a partir de la fecha inicial de compra a VIGO o a un Distribuidor Autorizado VIGO. VIGO garantiza que el acabado del Producto está libre de defectos en su mano de obra y sus materiales para un uso doméstico normal por parte del comprador/usuario final original durante toda la vida útil del producto. Sujeto a las siguientes disposiciones de la Garantía, cualquier producto señalado a VIGO o a un distribuidor autorizado como defectuoso dentro del período de vigencia de la garantía recibirá piezas de repuesto y/o asistencia para corregir el problema. En caso de que VIGO considere que es necesario reemplazar una unidad, la sustitución será realizada con el mismo modelo (o con un producto de igual valor). La presente garantía se extiende al comprador/usuario final original y no es transferible a un propietario posterior. Ni el distribuidor o vendedor autorizado ni ninguna otra persona han sido autorizados para realizar afirmaciones, declaraciones u otorgar garantías distintas de las contenidas en la presente garantía. Los productos vendidos en condiciones “tal como están”, liquidaciones, descuentos, reventas, compras de productos devueltos o compras realizadas a través de vendedores no autorizados no están cubiertos por los términos de la presente garantía. Cualquier afirmación, declaración o garantía otorgada que no esté contenida en la presente garantía no será oponible contra VIGO o cualquier otra persona. VIGO se reserva el derecho de modificar la presente garantía en cualquier momento en el entendimiento de que tales modificaciones no alterarán las condiciones de garantía aplicables al momento de la venta de los productos en cuestión.

LIMITACIONES

La presente garantía no será aplicable a los casos de procedimientos operativos incorrectos, roturas o daños causados por fallas debidas a una instalación incorrecta, descuido, abuso, mal uso, mala aplicación, mantenimiento incorrecto o alteración del Producto, así como por daños causados por agua dura, corrosión química o natural, accidente, incendio, inundación, fuerza mayor o cualquier otra fatalidad. Al limpiar, manipular y mantener el Producto, deberán evitarse los productos de limpieza abrasivos, las lanas de acero y los productos químicos agresivos, ya que pueden rayar, dañar y/u opacar el producto y/o acabado, anulando la presente garantía. El propietario/usuario final del Producto cubierto por la presente garantía es totalmente responsable de todos los costos de mano de obra, la instalación correcta y cualquier tubería o cableado eléctrico que puedan corresponder. VIGO no instala ni supervisa la instalación, ni emplea contratistas para este propósito. VIGO no se hace responsable de ningún incumplimiento, rotura o daño causado por lo anterior o como resultado de lo anterior, ya sea directa o indirectamente. El propietario/usuario final deberá proporcionar las imágenes, fotos y vídeos solicitados del Producto, tal como se describe en la guía de instalación, para que VIGO pueda solucionar el problema y cumplir adecuadamente con la garantía especificada en el presente documento. Todos los costos de reparación y mano de obra son responsabilidad del propietario/usuario final. La presente garantía no se aplica a los Productos que no hayan sido instalados u operados de acuerdo con las instrucciones proporcionadas por VIGO y todas las normas, regulaciones y leyes aplicables relacionadas con dichas instalaciones. La presente garantía no se aplica a menos que el producto VIGO sea instalado por un profesional totalmente asegurado y con licencia. VIGO recomienda encarecidamente que tales profesionales autorizados tengan experiencia en la instalación de productos de baño y cocina. La instalación de ciertos productos, entre otros pero sin limitarse a ellos, productos de vidrio (es decir, puertas de ducha y lavabos de vidrio) por una persona sin experiencia puede provocar la rotura del vidrio y, como consecuencia, causar lesiones personales o la muerte. VIGO no se responsabiliza por las lesiones personales o la muerte de ninguna persona ni por ningún daño directo especial, incidental o consecuente, pérdida de tiempo, lucro cesante, inconvenientes, gastos incidentales, costos de mano de obra o de materiales u otros costos que resulten del uso del Producto o equipo relacionado con la aplicación de la presente garantía o como resultado de la eliminación o reemplazo de cualquier producto, elemento o pieza cubierta por la presente garantía.

A MENOS QUE EN EL PRESENTE DOCUMENTO SE HAYA DISPUESTO LO CONTRARIO, VIGO NO OFRECE NINGUNA GARANTÍA, EXPRESA O IMPLÍCITA, INCLUIDAS LAS GARANTÍAS DE COMERCIALIZACIÓN Y APTITUD PARA UNA COMPRA EN PARTICULAR O EL CUMPLIMIENTO DE CUALQUIER CÓDIGO. VIGO no se hace responsable de ningún importe que supere el precio de compra pagado por el Producto por el propietario/usuario final, contratista, constructor u otro profesional instalador.

LIMITACIONES COMERCIALES

Además de las condiciones y limitaciones anteriores, el período de garantía para los productos instalados con fines comerciales o utilizados en empresas comerciales es de UN (1) año a partir de la fecha inicial de compra a un distribuidor autorizado por parte del propietario/usuario final, contratista o constructor. VIGO no se hace responsable por la pérdida de uso o de ganancias bajo ninguna circunstancia. Si el producto es utilizado para la exhibición, el período de garantía comienza cuando el producto es colocado en exhibición. La presente garantía otorga derechos legales específicos al propietario/usuario final. El propietario/usuario final también puede tener otros derechos, los que pueden variar de un estado o provincia a otro.

CONDICIONES DE LA GARANTÍA

Para obtener la cobertura de la presente garantía, le rogamos comunicarse con el Departamento de Servicio Técnico de Productos VIGO durante el horario laboral normal, llamando al 866-591-7792, opción 2 o por correo electrónico a SUPPORT@VIGOINDUSTRIES.COM. VIGO colaborará con la solución de problemas y proporcionará piezas de repuesto tal como se describe anteriormente cuando se cumplan las siguientes condiciones: la falla es de la naturaleza o tipo cubierto por la garantía, el usuario ha informado a VIGO de la naturaleza del problema durante el período de garantía, el usuario proporciona evidencia concluyente (por ejemplo, prueba de compra e imágenes, vídeo, etc.) demostrando que la falla ocurrió o fue descubierta dentro del período de garantía. VIGO quedará liberada de la obligación de cubrir la garantía cuando se entreguen las piezas de repuesto o el producto de reemplazo. La negativa del cliente a aceptar la oferta hará caducar las obligaciones de garantía de VIGO.

*Ciertos modelos están pendientes de aprobación.

La certificación puede ser cancelada por VIGO o las agencias de certificación sin previo aviso

VIGO INDUSTRIES, LLC (“VIGO”) EN VIGUEUR DÈS LE 1er JANVIER 2019

VIGO offre la garantie suivante sur chacun de ses produits LAVABOS DE CUISINE (les « produits »). Cette garantie ne couvre que l'achat par le propriétaire d'origine ou l'utilisateur final et ce, pour un usage domestique personnel, et n'est pas cessible. Des restrictions supplémentaires peuvent s'appliquer pour une utilisation commerciale du produit. VIGO garantit que les pièces mécaniques seront sans défaut de fabrication et de matériau et ce, lors d'une utilisation domestique normale, pour une période d'un (1) an à partir de la date initiale de l'achat effectué par le propriétaire, l'utilisateur final, le constructeur ou l'entrepreneur chez VIGO ou chez un vendeur VIGO autorisé. VIGO garantit que la finition du produit sera sans défaut de fabrication et de matériau et ce, lors d'une utilisation domestique Normale, pour la durée de vie du produit acheté par le propriétaire original ou l'utilisateur final.

Sous les dispositions de la présente garantie, tout produit retourné comme étant défectueux à VIGO ou à un vendeur autorisé pendant la période de garantie recevra des pièces de remplacement et/ou l'assistance nécessaire pour sa réparation. Si un remplacement est jugé nécessaire par VIGO, le produit de remplacement sera un produit du même modèle (ou un produit de valeur égale). Cette garantie ne s'applique qu'au propriétaire original ou à l'utilisateur final et ne sera pas cessible au propriétaire suivant. Ni le distributeur, ni le vendeur autorisé ou tout autre individu n'a l'autorisation de faire une confirmation, une déclaration ou une garantie autre que celle décrite dans la présente garantie. Les produits vendus dans un état « tel quel », en liquidation, en revente à rabais et les retours d'achats effectués chez des vendeurs non autorisés ne sont pas couverts par cette garantie. Toute confirmation, déclaration ou garantie autre que celle décrite dans cette garantie ne pourra être utilisée contre VIGO ou tout autre individu. VIGO se réserve le droit de modifier cette garantie en tout temps et il est entendu que ces modifications ne changeront pas les conditions de la garantie lors de la vente des produits en question.

RESTRICTIONS

Cette garantie ne sera pas en vigueur dans le cas d'une utilisation inadéquate, de bris ou de dommage causés par une installation défectueuse, une négligence, une violation, une mauvaise utilisation, une application fautive, un entretien déficient ou une modification du produit ainsi que par des dommages causés par de l'eau calcaire, une corrosion naturelle ou chimique, un accident, un incendie, une inondation, un cas de force majeure ou tout autre dommage. Lors du nettoyage, de l'entretien ou de la manipulation du produit, il faut éviter tout produit nettoyant abrasif, laine d'acier ou tout produit chimique fort car ils égratigneront, endommageront et/ou ébrécheront le produit et/ou sa finition, causant ainsi l'annulation de cette garantie. Le propriétaire ou l'utilisateur final du produit couvert par la présente garantie est entièrement responsable des coûts reliés à son installation et de l'installation d'une plomberie ou de câblage électrique adéquat pour le produit. VIGO n'installe ni ne supervise l'installation et n'engage pas des entrepreneurs à cet effet. Par conséquent, VIGO ne peut être tenu responsable de toute défectuosité, bris ou dommage causés de cette façon ou en résultant directement ou indirectement. Le propriétaire ou l'utilisateur final doit fournir les images demandées, des photos ou des vidéos du produit décrit dans le manuel d'installation afin que VIGO puisse résoudre le problème adéquatement et respecter la garantie décrite ici. Tous les coûts liés aux réparations et à la main d'oeuvre sont la responsabilité du propriétaire ou de l'utilisateur final. Cette garantie ne s'applique pas aux produits qui n'ont pas été installés ou utilisés selon les instructions fournies par VIGO ou selon toutes les règles, normes et législations relatives à ces installations. Cette garantie ne s'applique pas sauf si le produit VIGO a été installé par des professionnels entièrement agréés et assurés. VIGO recommande fortement que ces professionnels agréés aient de l'expérience dans l'installation de produits de salle de bain et de cuisine. L'installation de certains produits par un individu inexpérimenté, incluant mais sans se limiter seulement à des produits en verre (par exemple un comptoir en verre ou des portes de douche en verre) peut résulter en bris du verre et par conséquent, causer des blessures ou la mort. VIGO n'est pas responsable des blessures ou de la mort d'un individu ou de tout dommage indirect, spécial, fortuit ou conséquent, de perte de temps, perte de profits, contretemps, dépenses imprévues, frais pour des travaux ou de matériel ou tout autre coût résultant de l'utilisation du produit, de l'équipement sous la présente garantie ou résultant du retrait ou du remplacement de tout produit, pièce ou partie qui sont couverts par cette garantie.

VIGO NE FAIT PAS DE GARANTIES, EXPLICITES OU IMPLICITES, INCLUANT LES GARANTIES DE VALEUR COMMERCIALE ET D'ADAPTABILITÉ POUR UNE UTILISATION PARTICULIÈRE OU POUR COMPTABILITÉ, À L'EXCEPTION DE CE QUI EST DÉCRIT CI-DESSUS. VIGO ne pourra être tenu responsable en aucun cas d'un montant autre que le prix d'achat payé pour le produit par le propriétaire, l'utilisateur final, le constructeur ou l'entrepreneur ou tout autre installateur professionnels.

RESTRICTIONS COMMERCIALES

En plus des conditions et des restrictions mentionnées ci-dessus, la période de garantie pour les produits installés pour un usage commercial ou utilisés dans une entreprise commerciale est d'UN (1) an à partir de la date initiale de l'achat effectué par le propriétaire, l'utilisateur final, le constructeur ou l'entrepreneur chez un vendeur VIGO autorisé. En aucun cas VIGO n'est tenu responsable de perte d'utilisation ou de bénéfices. La période de garantie débutera lorsque le produit a commencé à être offert en démonstration, le cas échéant. Cette garantie accorde au propriétaire et/ou à l'utilisateur final des droits légaux spécifiques. Le propriétaire et/ou l'utilisateur final ont aussi d'autres droits pouvant varier d'une province ou d'un état à l'autre.

CONDITIONS DE LA GARANTIE

Bien vouloir contacter le service à la clientèle de VIGO durant les heures d'ouverture au 866 591-7792 (option 2) ou par courriel à SUPPORT@VIGOINDUSTRIES.COM pour obtenir la garantie fournie. Comme mentionné ci-dessus, VIGO pourra vous aider avec le dépannage ou le remplacement de pièces du produit si les conditions suivantes ont été remplies: le type ou le genre de défaillance est couvert par la garantie, l'utilisateur a informé VIGO de la nature du problème durant la période de garantie, des preuves tangibles (par exemple, une preuve d'achat, des images, vidéos, etc.) ont été fournis précédemment par l'utilisateur et prouvant ainsi que la défaillance est survenue ou a été découverte pendant la période de garantie. VIGO doit être libéré de son obligation de garantie lorsqu'il y a une offre de remplacement de pièces ou de produit. Le refus du client d'accepter cette offre met fin aux obligations de garantie de VIGO.

**Certains modèles sont en attente d'approbation.

VIGO ou les organismes de certification peuvent mettre fin à la certification sans préavis.