



## MODEL NUMBER

VG08012

## DIMENSIONS

Height	55 1/8" [1400 MM]
Width	6 1/4" [159 MM]
Depth	2 3/4" [70 MM]
Shower Head	7 3/4" [197 MM]

## AVAILABLE FINISHES

Stainless Steel
Matte Black

## FEATURES

- 3Divert Valve™ - 3-way diverter
- Squared rain showerhead
- Flat wall or corner installation
- Hot and cold integrated thermostatic valves
- Pre-plumbed for easy installation
- Flexible reinforced stainless steel supply hoses

## PACKING LIST

- Shower panel
- Hand shower
- Hand shower hose
- Supply lines
- Head shower
- Head shower arm
- Mounting hardware

## NOTE

Residue from liquid soap, shampoo, and shower foams may cause damage, so it is advised to rinse with clean water after use. If the surface is already damaged, effect of cleaning materials may cause further damage. Hard water may damage finish.

## REGISTER YOUR PRODUCT

IN ORDER TO ACTIVATE YOUR WARRANTY YOU MUST REGISTER YOUR PRODUCT



VIGOINDUSTRIES.COM/REGISTER/

## ACTIVATE NOW

### RECOMMENDED TOOLS



Tape Measure



Pencil



Silicone Adhesive Sealant



Soft Cleaning Rag



Ear Protection



Eye Protection



Safety Gloves

## WARNING



Damage caused by improper installation/ maintenance will not be covered by our guarantee and/ or warranty.



Usage over max PSI will damage internal components.  
(Max 60 PSI ) (Min 30 PSI)



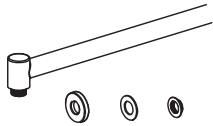
Always wear safety equipment.

MODEL #	VG08012
---------	---------

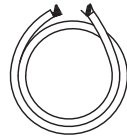
## PACKAGE CONTENTS



**HEAD SHOWER**  
88110



**SHOWER ARM ASSEMBLY**  
88111  
88125  
88126



**HAND SHOWER HOSE**  
88120



**HAND SHOWER**  
88119



**WALL MOUNTING BRACKET**  
88006



**CORNER MOUNTING BRACKET**  
88007



**FLEXIBLE HOSES**  
88005



**METAL WASHERS**  
88092



**FIXING PLUGS**  
84000



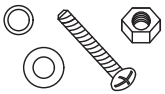
**BLUE WASHERS**  
84044



**WHITE SCREEN**  
84001

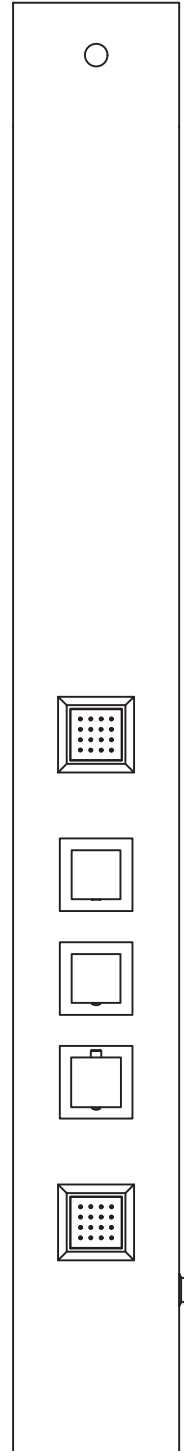


**THREADED SCREW**  
88009

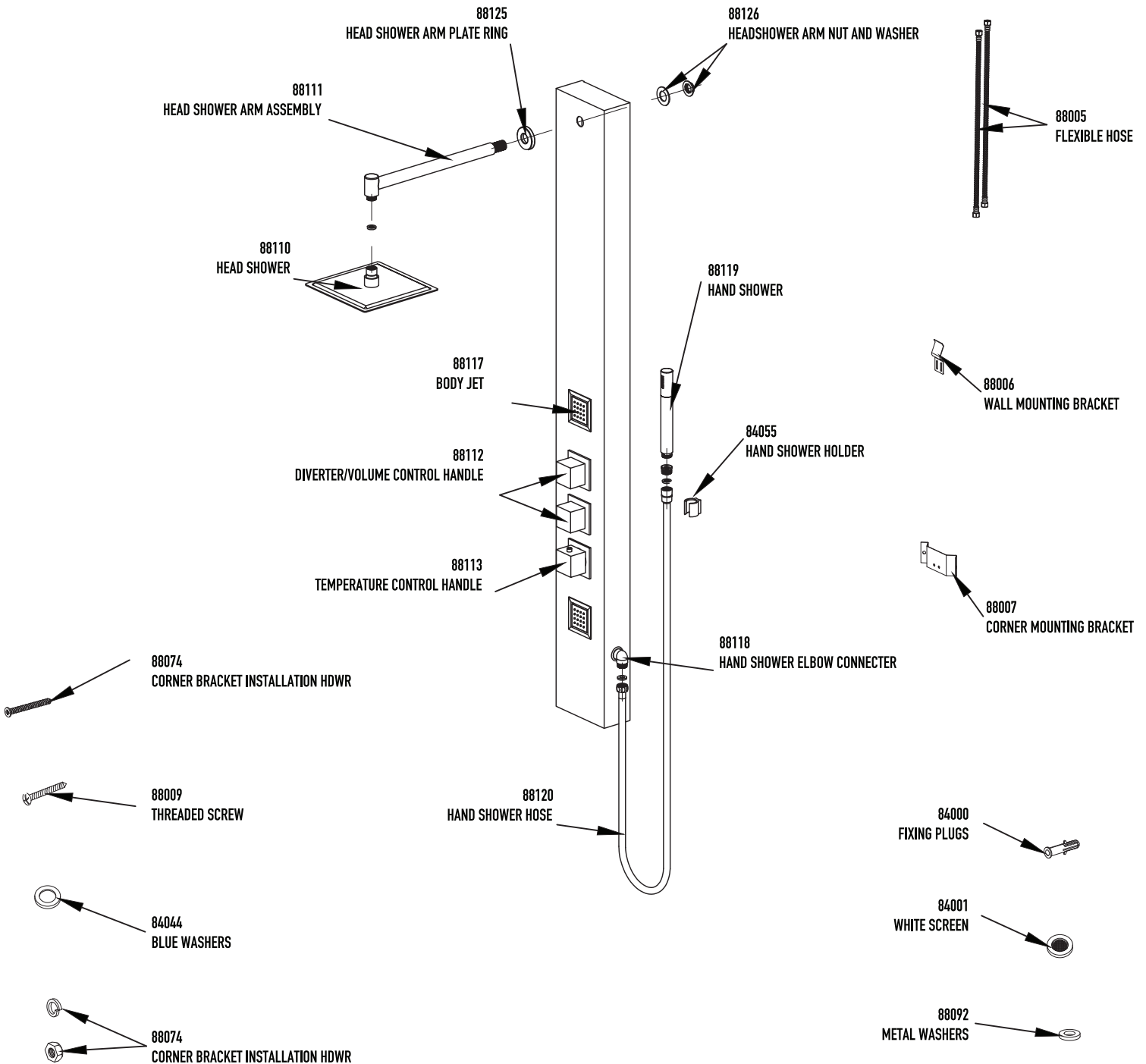


**CORNER BRACKET INSTALLATION HDWR**  
88074

**PANEL HOUSING** →



MODEL #	VG08012
---------	---------



**PARTS**

- 88011B THERMOSTATIC CARTRIDGE
- 88012 DIVERTER CARTRIDGE
- 88116 VOLUME CONTROL CARTRIDGE

MODEL #

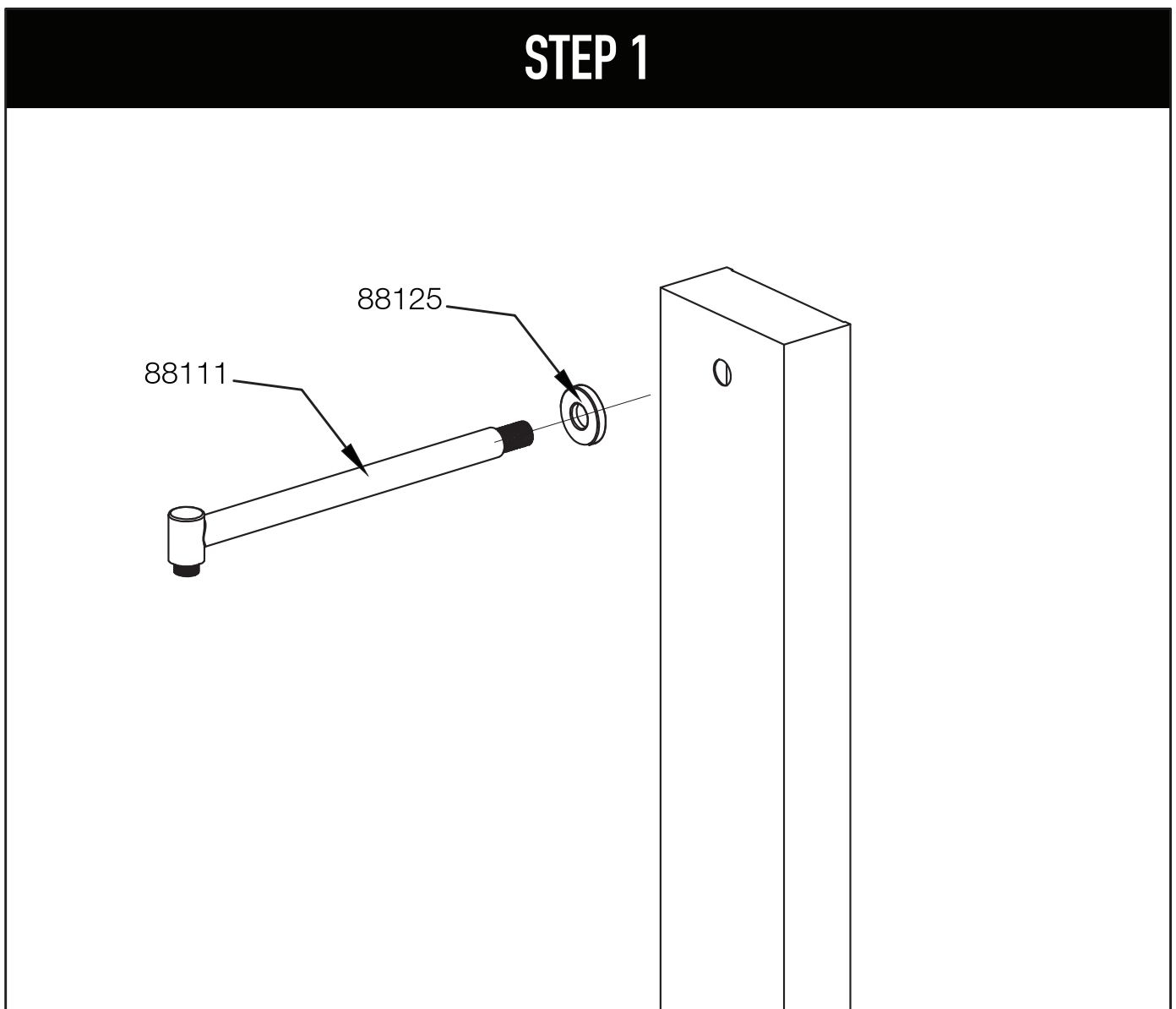
VG08012

## 1. INSTALLATION

---

**NOTE:** Installation must be performed by a qualified, licensed plumber.

- 1 Place head shower arm and plate in hole on top of panel.



# INSTALLATION MANUAL

MODEL #

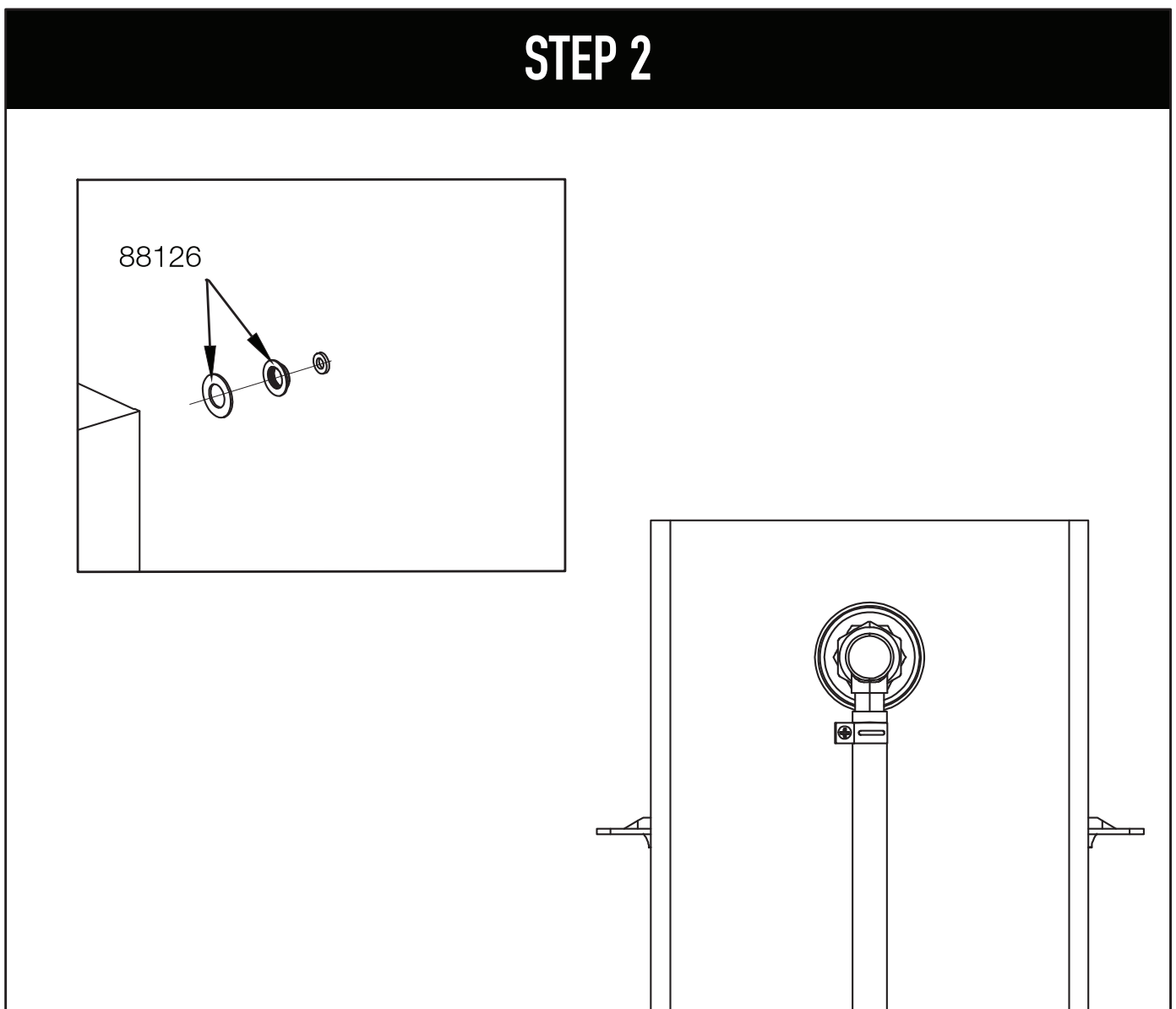
VG08012

## 1. INSTALLATION

---

- ② In the back of the panel on the threaded part of the head shower arm place rubber ring then brass nut. Next place washer inside brass elbow and connect to head shower arm.

### STEP 2



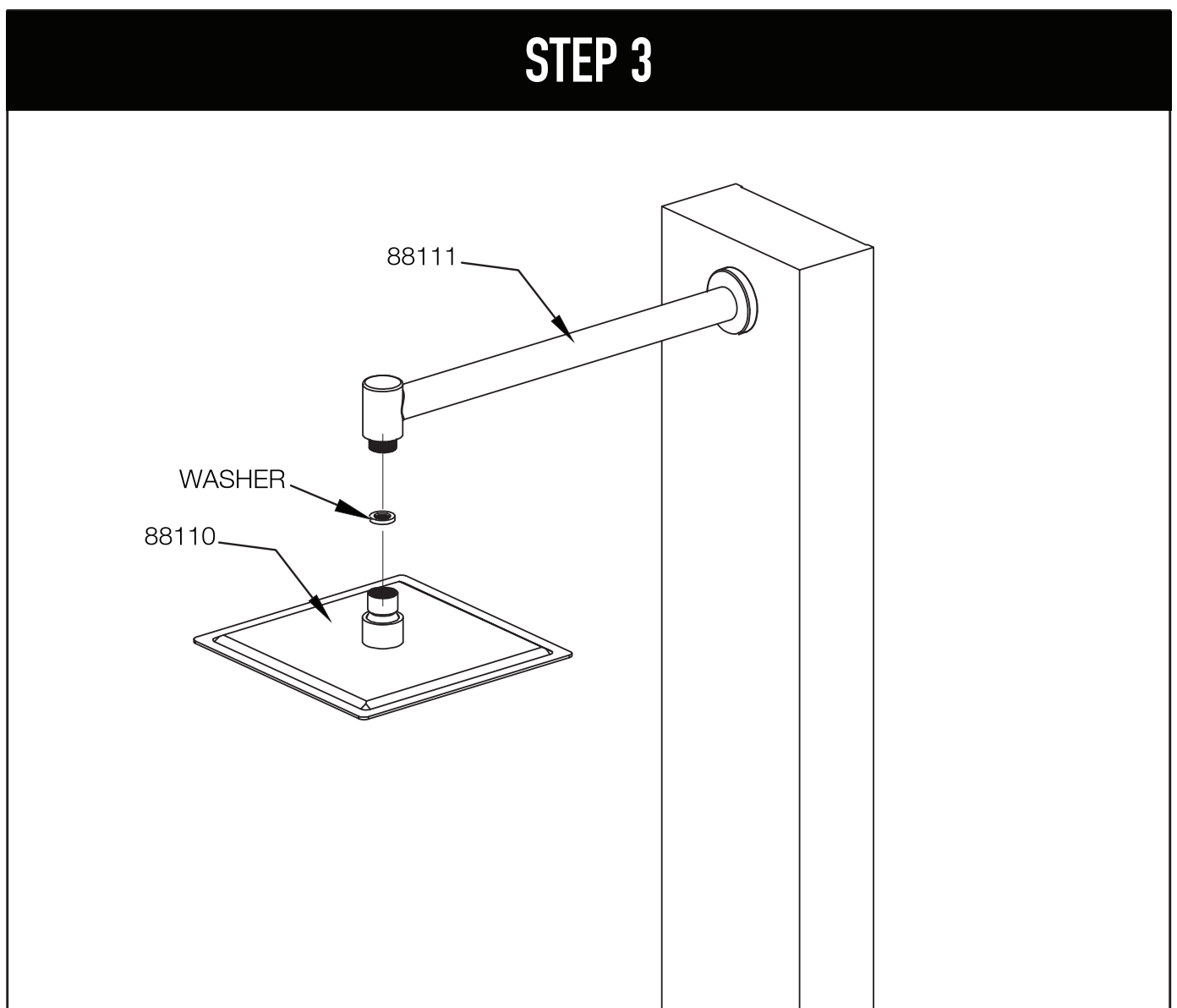
MODEL #

VG08012

## 1. INSTALLATION

---

- 3 Place washer inside head shower connector. Screw head shower onto head shower arm.

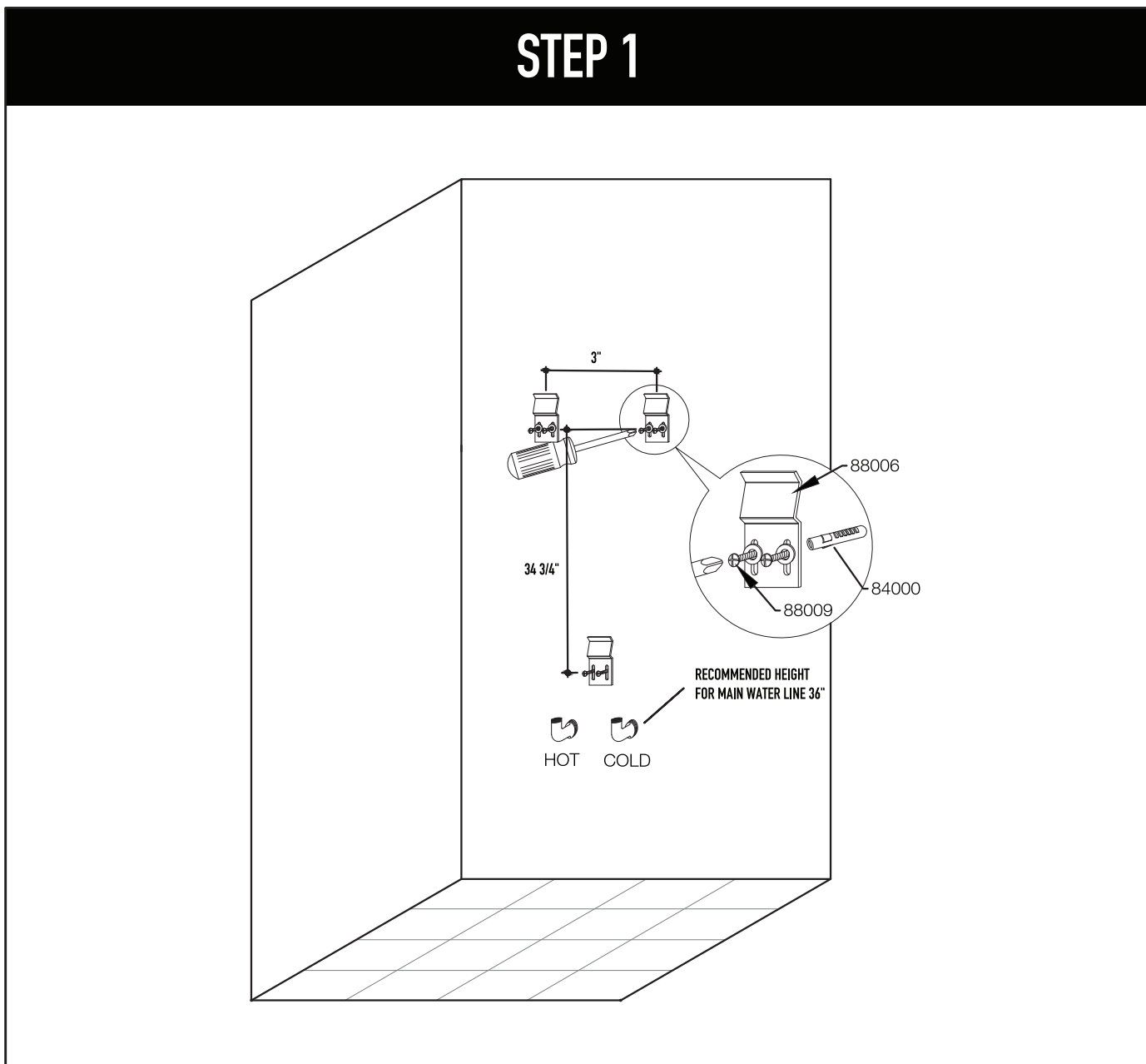


MODEL #	VG08012
---------	---------

## 2A. WALL INSTALLATION

NOTE: Shower panel can be installed either against the wall (SECTION 2.A) , or on a corner (SECTION 2.B)

- 1 Screw the wall mount brackets into the wall at desired height. (Refer to page 2 back view)




MODEL #	VG08012
---------	---------

## 2A. WALL INSTALLATION

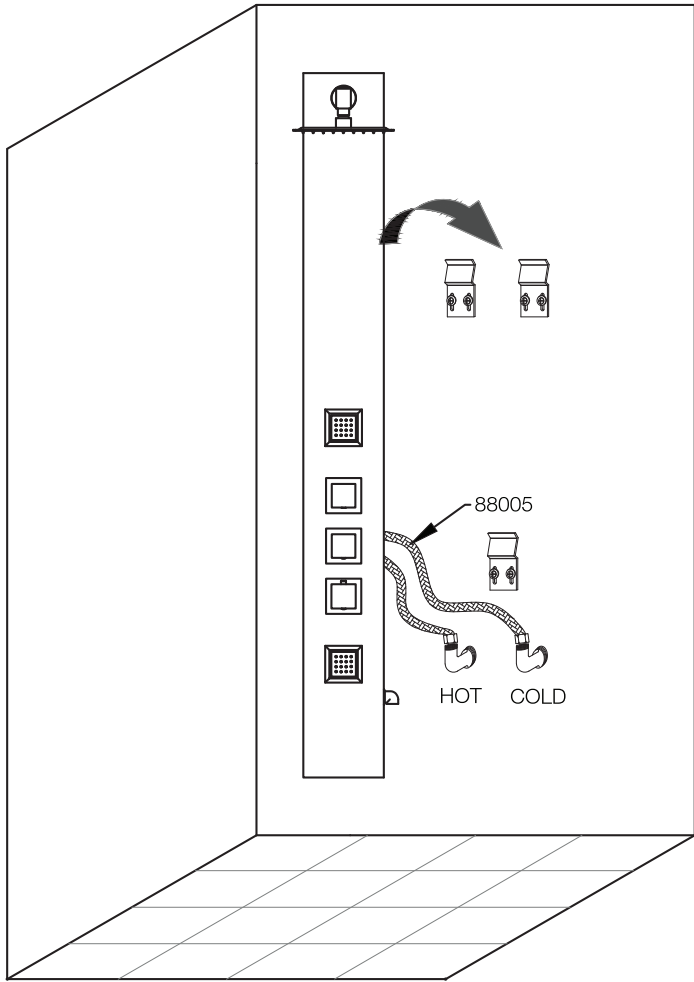
- 2 Connect the flexible hoses to water supply and hang the shower panel on the mounting brackets.

**STEP 2**



**NOTE TO CUSTOMER:**  
It may be advantageous to bend brackets towards person for easier installation.

Make sure not to over bend and cause damage to the bracket.



**Save time and frustration:** if turning the thermostatic control handle gives both hot and cold water but the water does not mix, the hoses have been connected to the incorrect supplies. Please disconnect the hoses, reattach them to the correct supplies and test the unit before calling VIGO Product Support.



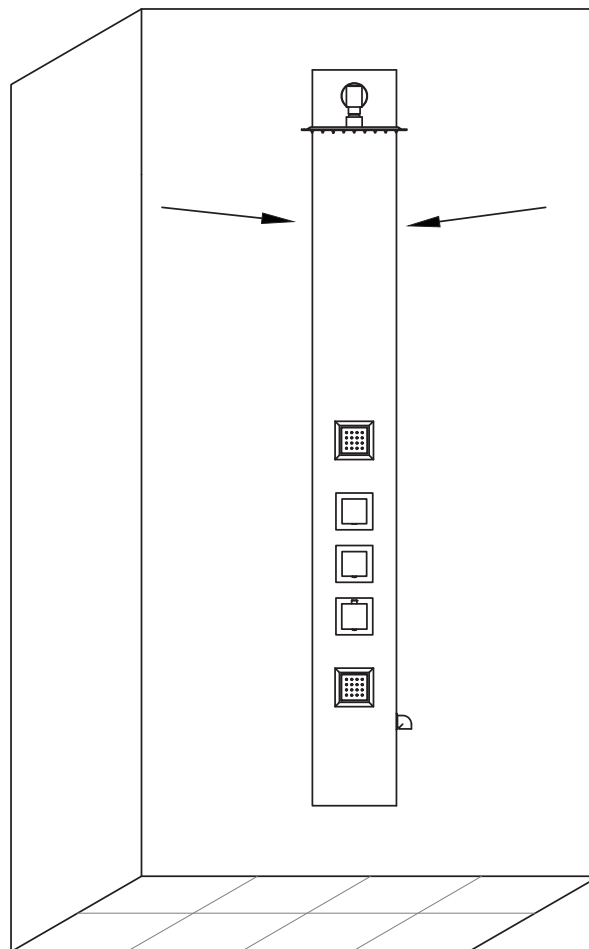
MODEL #

VG08012

## 2A. WALL INSTALLATION

- 3 Place clear silicone on both sides of the shower panel.

### STEP 3

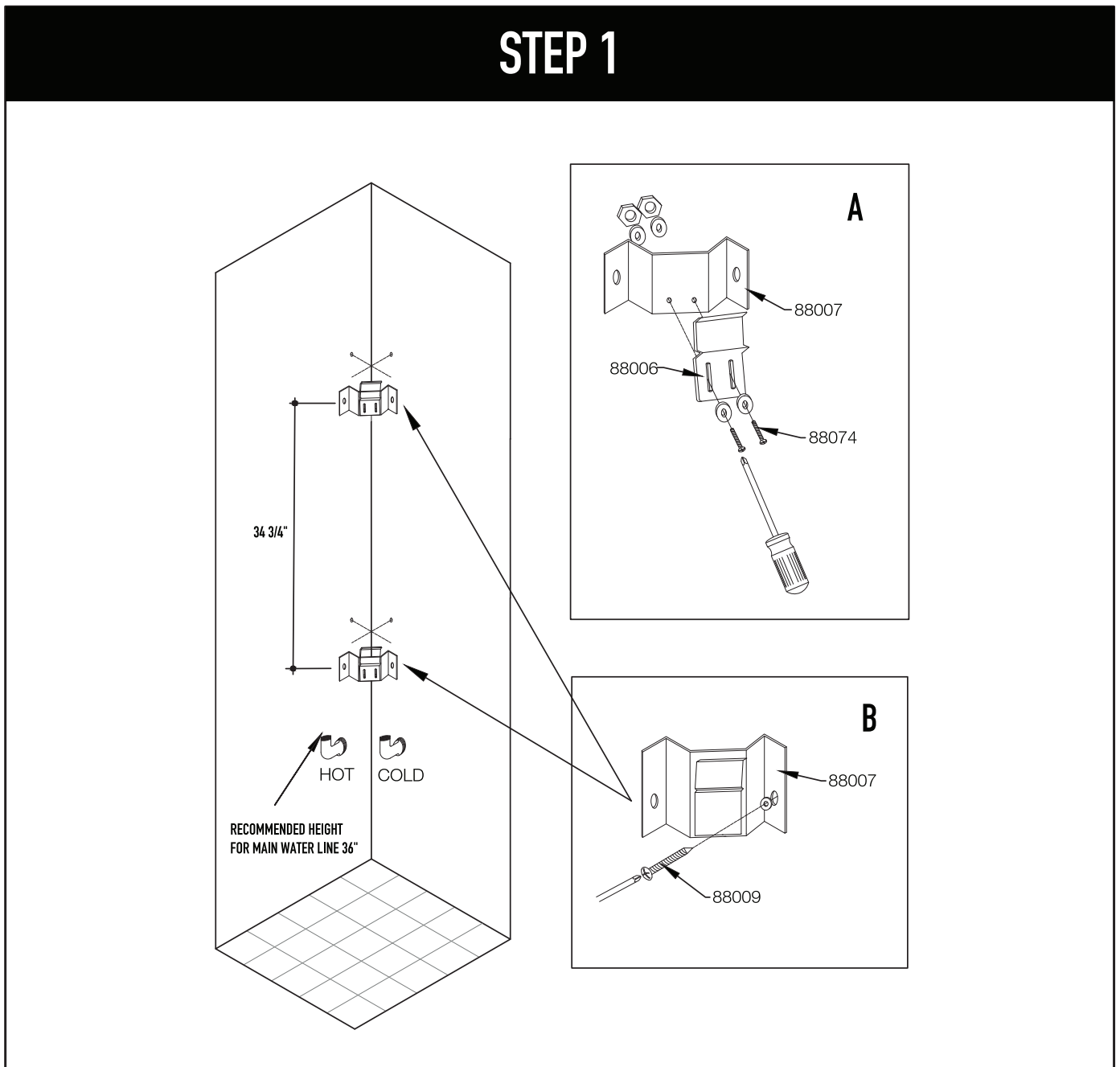


HAND SHOWER INSTALLATION LOCATED ON PAGE 13

MODEL #	VG08012
---------	---------

## 2B. CORNER INSTALLATION

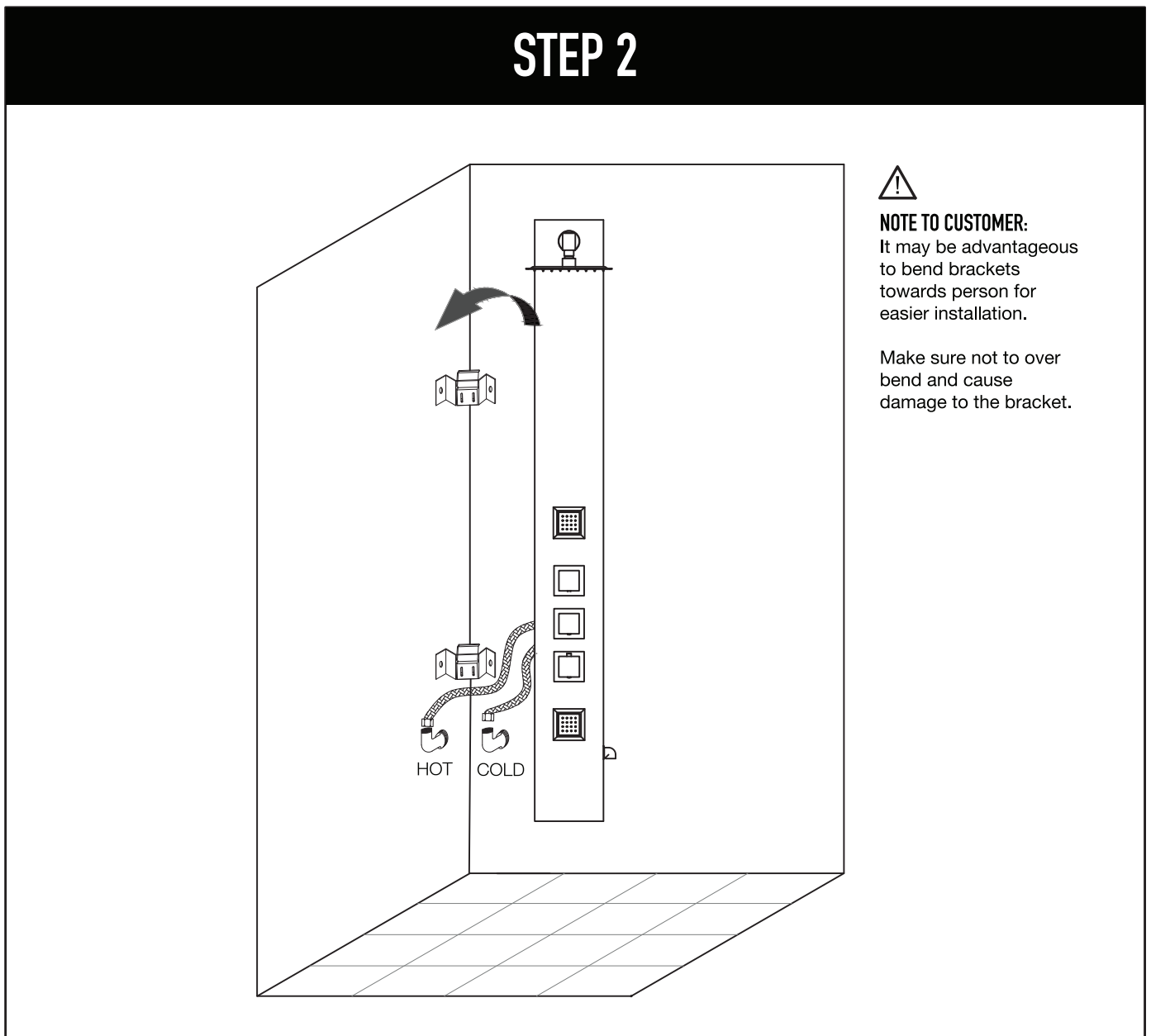
- 1 Screw the wall mount brackets into the corner mounting brackets. (Refer to diagram A) Then screw the corner mounting brackets into the wall. (Refer to diagram B)



MODEL #	VG08012
---------	---------

## 2B. CORNER INSTALLATION

- 2 Connect the flexible hoses to water supply and hang the shower panel on the mounting brackets.



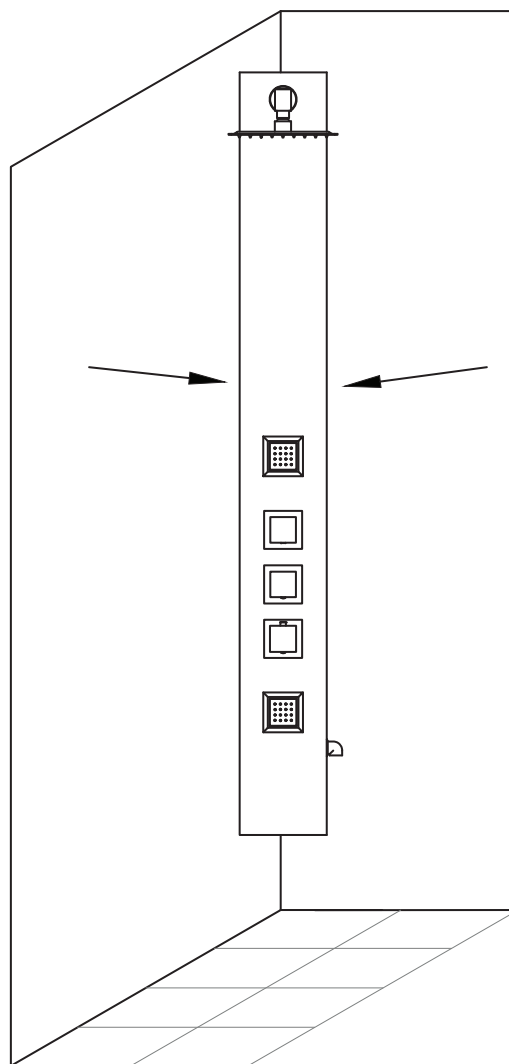
MODEL #

VG08012

## 2B. CORNER INSTALLATION

- 3 Place clear silicone on both sides of the shower panel.

### STEP 3

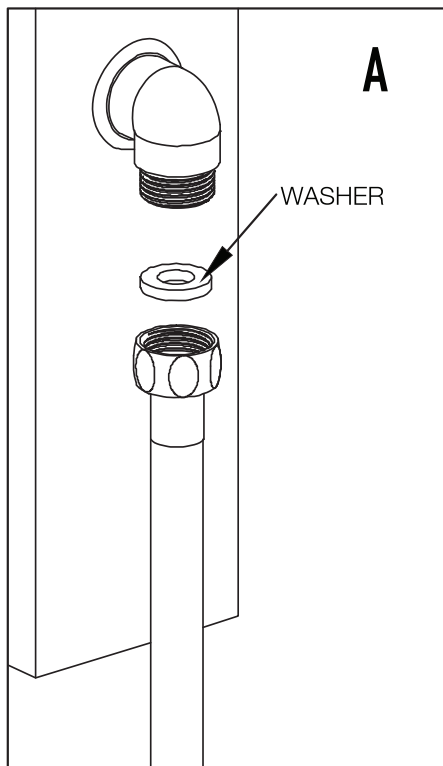


HAND SHOWER INSTALLATION LOCATED ON PAGE 13

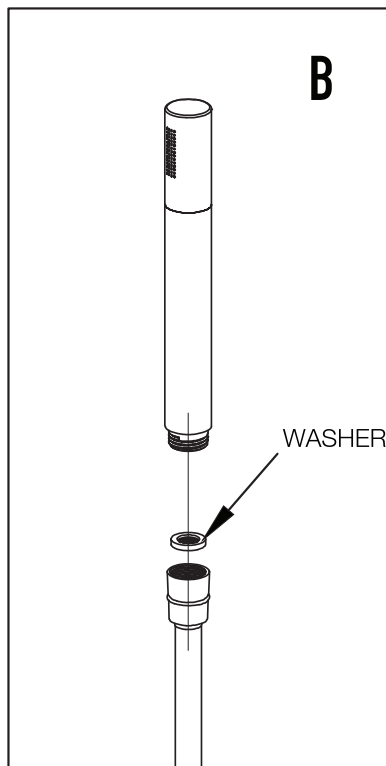
MODEL #	VG08012
---------	---------

## 3. HAND SHOWER INSTALLATION

**A.** Connect hand shower hose to shower panel. Make sure washer is in place.



**B.** Connect other side of hand shower hose to hand shower. Make sure washer is in place.



**C.** Install hand shower bracket to wall in desired location.

