

## VIGO INDUSTRIES INSTALLATION GUIDE FOR SHOWER ENCLOSURE (MODEL VG6064)

### **SAFETY PRECAUTIONS**

This Installation Guide uses the following symbols to indicate important information. Always observe the instructions indicated by these symbols.

### **WARNING**

Instructions that, if ignored, could result in death or serious personal injury caused by incorrect handling or installation of the product. These instructions must be observed for safe installation.

### **CAUTION**

The instructions for the following unit is based off of the Vigo brand shower base. The instructions can not be provided for any other installation other than that of the Vigo brand. The warranty will be voided if the following was not performed properly.

### **IMPORTANT**

Maintenance and other important non-personal injury and non-material damage instructions or statements that should be observed.

It is highly advised to dry fit the unit prior to any installation.

\*VIGO reserves the right to modify/update all hardware and glass components based on bettering the product for the end user's experience. If you have any questions contact VIGO Tech Support at 1-866-591-7792.

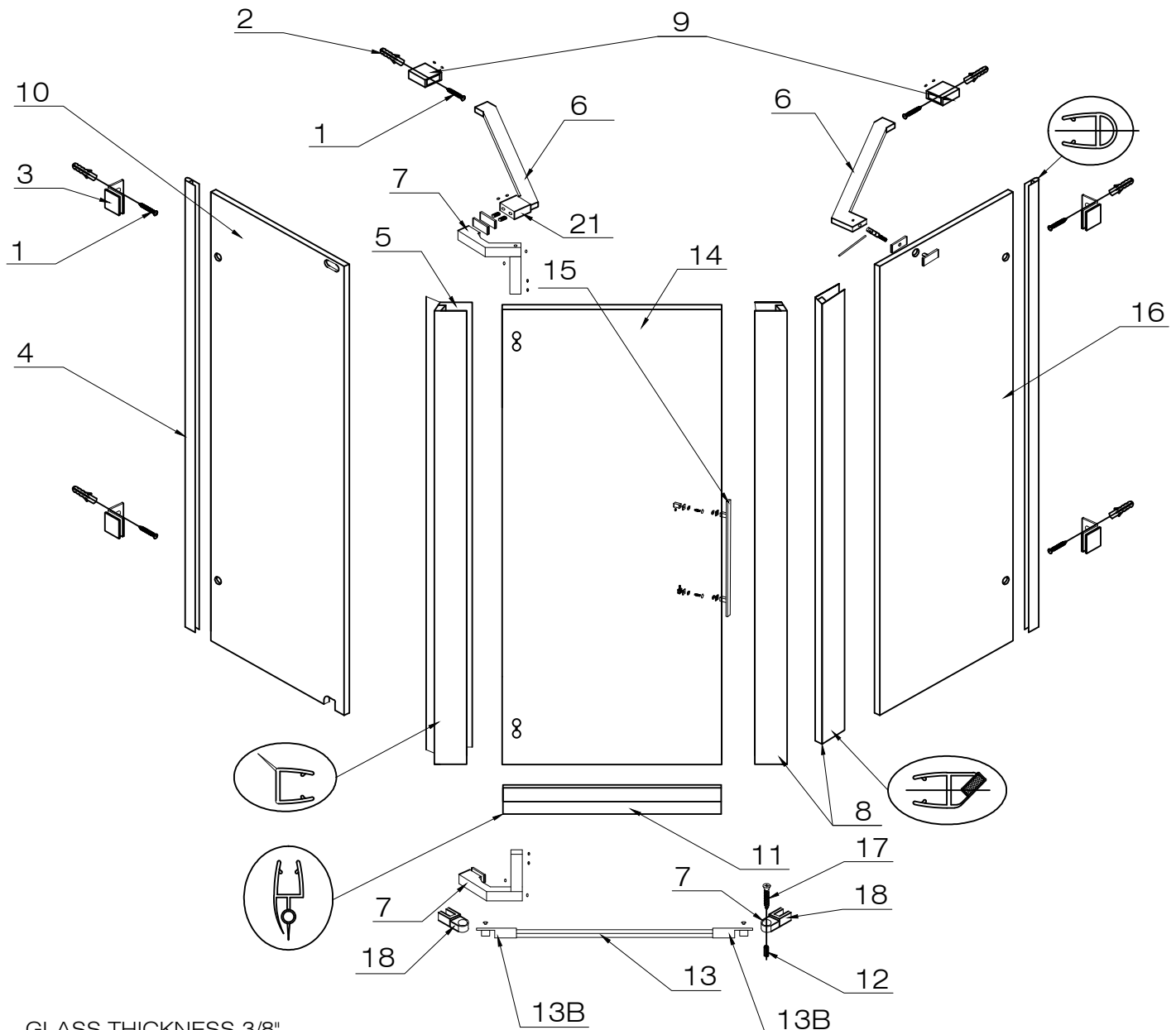
**MODEL VG06064 ONTARIO**

**INSTALLATION INSTRUCTIONS FOR SHOWER ENCLOSURE**

PLEASE READ INSTRUCTIONS BEFORE PROCEEDING



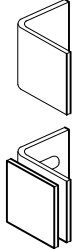
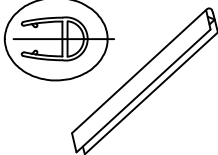
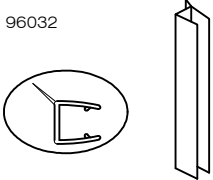
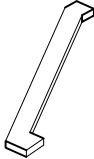

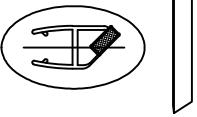
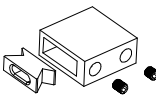

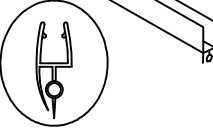
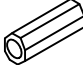


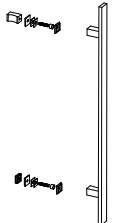


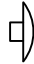

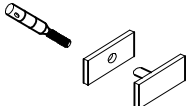


Parts List

- |   |   |
|---|---|
| 1. 1 5/8" Hex screw (6pc)                       | 12. Plastic anchor green (2pc)                  |
| 2. Plastic anchor white (6pc)                   | 13. Threshold (1pc)                             |
| 3. Glass support (4pc)                          | 13B. Threshold end caps (2pc)                   |
| 4. Side seal strip (2pc)                        | 14. Door (1pc)                                  |
| 5. Door side seal strip (1pc + 1pc is extra)    | 15. Handle assembly (1pc)                       |
| 6. Structural arm (2pc)                         | 16. Side glass panel (without hinge slots, 1pc) |
| 7. Hinge (2pc)                                  | 17. 3/4" Phillips screws (2pc)                  |
| 8. Door magnetic seal strip (2pc)               | 18. Side glass panel clips (2pc)                |
| 9. Wall connector (2pc)                         | 19. 8mm screw cover (4pc)                       |
| 10. Side glass panel (with hinge slots, 1pc)    | 20. 4mm hex screw cover (11pc)                  |
| 11. Door bottom seal strip (1pc + 1pc is extra) | 21. Support assembly hinge side (1pc)           |
|   | 22. Support assembly non hinge side (1pc)       |



GLASS THICKNESS 3/8"

NOTE: INSTALLATION MUST BE DONE BY A QUALIFIED, LICENSED PROFESSIONAL.

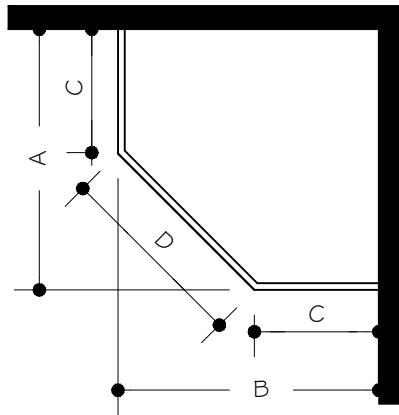
<p>1. 1 5/8" HEX SCREW</p> <p>98039</p> 	<p>2. PLASTIC ANCHOR WHITE</p> <p>98038</p> 	<p>3. GLASS SUPPORT</p> <p>98118</p> 	<p>4. SIDE SEAL STRIP</p> <p>96001</p> 	<p>5. DOOR SIDE SEAL STRIP</p> <p>96032</p> 
<p>6. STRUCTURAL ARM</p> <p>98116</p> 	<p>7. HINGE</p> <p>98117</p> 	<p>8. DOOR MAGNETIC SEAL STRIP</p> <p>96002</p> 	<p>9. WALL CONNECTOR</p> <p>98098</p> 	<p>10. SIDE GLASS PANEL (WITH HINGE SLOTS)</p> <p>97043CL36 97043CL42</p> 
<p>11. DOOR BOTTOM SEAL STRIP</p> <p>96004</p> 	<p>12. PLASTIC ANCHOR GREEN</p> <p>98037</p> 	<p>13. THRESHOLD</p> <p>98119</p> 	<p>14. DOOR</p> <p>97044CL36 97044CL42</p> 	<p>15. HANDLE ASSEMBLY</p> <p>98121</p> 
<p>16. SIDE GLASS PANEL (WITHOUT HINGE SLOTS)</p> <p>97045CL36 97045CL42</p> 	<p>17. 3/4" PHILLIPS SCREW</p> <p>98033</p> 	<p>19. 8mm SCREW COVER</p> <p>98111</p> 	<p>21. SUPPORT ASSEMBLY (HINGE SIDE)</p> <p>98123</p> 	<p>22. SUPPORT ASSEMBLY (NON HINGE SIDE)</p> <p>98124</p> 
<p>18. SIDE GLASS PANEL CLIPS</p> <p>98122</p> 	<p>20. 4mm HEX SCREW COVER</p> <p>96040</p> 			

\* - GLASS AND HARDWARE ONLY (FULLY INSTALLED)

MODEL	DIM. "A"	DIM. "B"	DIM. "C"	DIM. "D"	HEIGHT	#10- SIDE GLASS PANEL (97043)	#16- SIDE GLASS PANEL (97045)	#14- DOOR (97044)	DOOR OPENING WIDTH
42 X 42	40"	40"	21 1/2"	26"	74"	20 1/2"x74"	20 1/2"x74"	26"x72 7/8"	23 5/8"
36 X 36	34"	34"	16 1/2"	25"	74"	15 3/4"x74"	15 3/4"x74"	24 1/2"x72 7/8"	22"

A, B, C & D DIMENSIONS WERE MEASURED AFTER SHOWER ENCLOSURE WAS COMPLETELY INSTALLED

⊘ **Product lines may change, contact your Vigo representative at 1-866-591-7792 or visit our website at [www.vigoindustries.com](http://www.vigoindustries.com) for the most up to date product line information.**



**⚠ WARNING**

WE STRONGLY RECOMMEND THAT A LICENSED PROFESSIONAL INSTALL THIS SHOWER ENCLOSURE AND INCLUDE THE ASSISTANCE OF A SECOND PERSON TO INSTALL THE DOOR UNIT.

INSTALLATION OF THE SHOWER DOORS BY AN INEXPERIENCED PERSON MAY RESULT IN GLASS BREAKAGE AND, CONSEQUENTLY, CAUSE PERSONAL INJURY OR DEATH.

- Handle fragile items with care to prevent personal injury or material damage.
- The glass panels are tempered and cannot be cut. Never attempt to do so.
- Always rest glass on a level surface

**BEFORE STARTING**

Compare items on your invoice with what you have received. Carefully review the Packing List on page 2. If any items are missing contact Vigo Industries at 1-866-591-7792. Please check our website at [www.vigoindustries.com](http://www.vigoindustries.com) for additional information or instructional videos.

**REQUIRED TOOLS**

- Square and/or Phillips #1 and #2 screwdriver
- Flat head screwdriver
- Electric drill plus 1/4" and 5/16" drill bit (depending on wall)
- Level
- Measuring tape
- Pencil (non-permanent)
- Clear silicone caulking
- Utility knife

**⚠ WARNING**

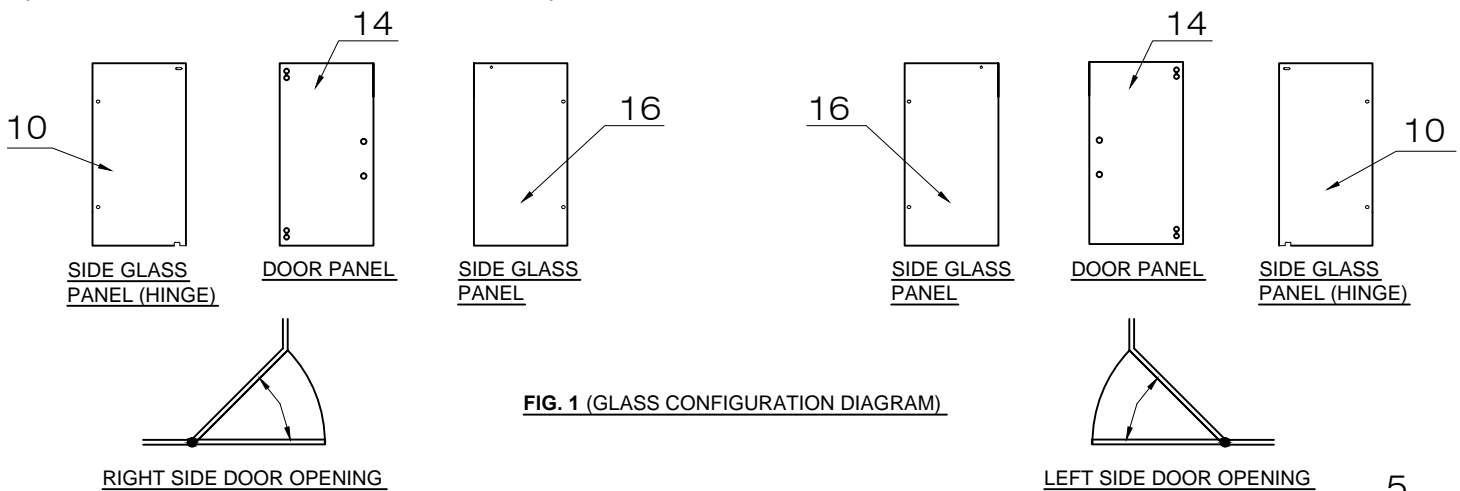
- Handle fragile items with care to prevent injury or material damage.
- Glass on panels and doors is tempered glass and must never be cut to prevent personal injury.

**⊘ IMPORTANT**

- Fiberglass, acrylic or sheetrock construction might not be sufficiently strong enough to support the shower door enclosure. You should use the wood framing studs from behind the face edge of the stall to provide a secure mounting to the door. Apply a bead of silicone between the walls and base of the stall.
- For optimum performance, you should install the shower door perfectly level on a level surface. Failure to do so will lead to water leakage and potential property damage.
- When installing use heavy duty gloves.

**IMPORTANT:**

**THE CLEAR GLASS MODEL HAS A REVERSIBLE DOOR AND CAN BE INSTALLED TO THE RIGHT OR LEFT SIDE. (SEE CONFIGURATION DIAGRAM BELOW)**



**FIG. 1 (GLASS CONFIGURATION DIAGRAM)**

## PREPARATION STEPS TO FOLLOW BEFORE INSTALLATION

1. Remove the plastic layer from the base border (if needed). Do NOT remove the plastic layer off the plastic platform of the base.
2. Properly apply silicone to the wall and base joints.
3. Make sure to read corresponding base instructions carefully prior to install on the Vigo Brand Shower Door System. Failure to do so can cause water leakage and bodily harm.

### ⊘ IMPORTANT

- To prevent damage to the finish, you should protect the shower cabin bottom with a cardboard protector before beginning the installation.
- Ensure that there is sufficient structural support behind the shower wall to hold the weight of the shower door. If there is insufficient support, then reinforce the shower walls with wooden studs prior to shower door installation. [SEE FIG.1A]

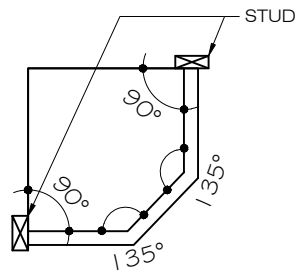
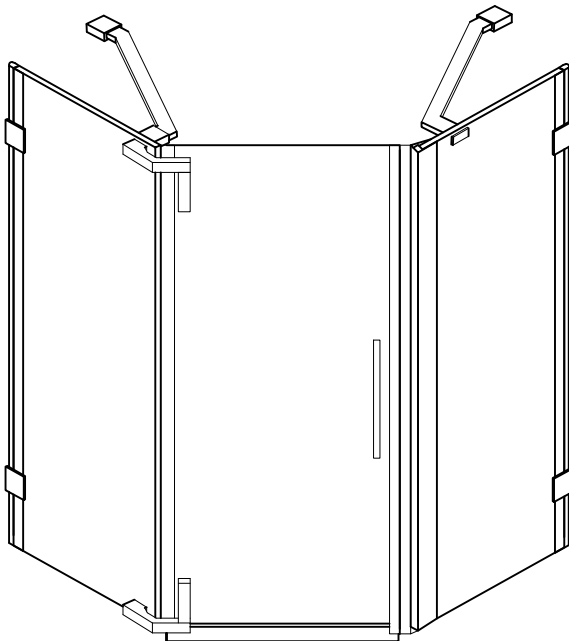


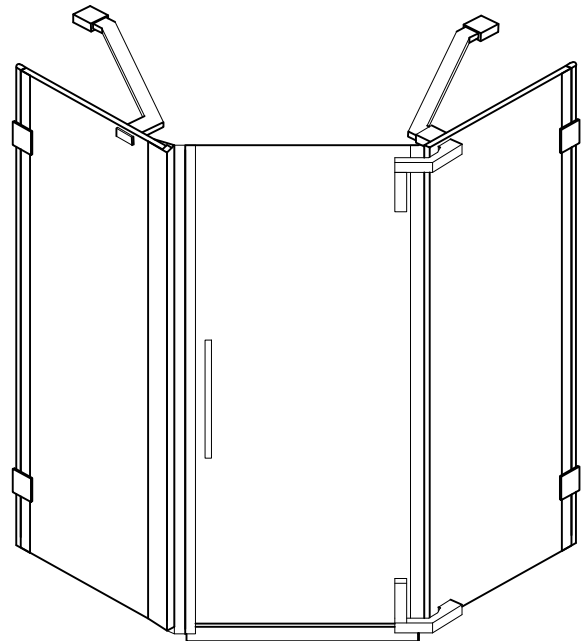
FIG.1A

### ⚠ CAUTION

- **GASKETS NEED TO BE IN BETWEEN ALL GLASS AND METAL CONTACT. FAILURE TO DO SO CAN LEAD TO BREAKAGE AND POTENTIAL BODILY HARM.**



RIGHT DOOR INSTALLATION

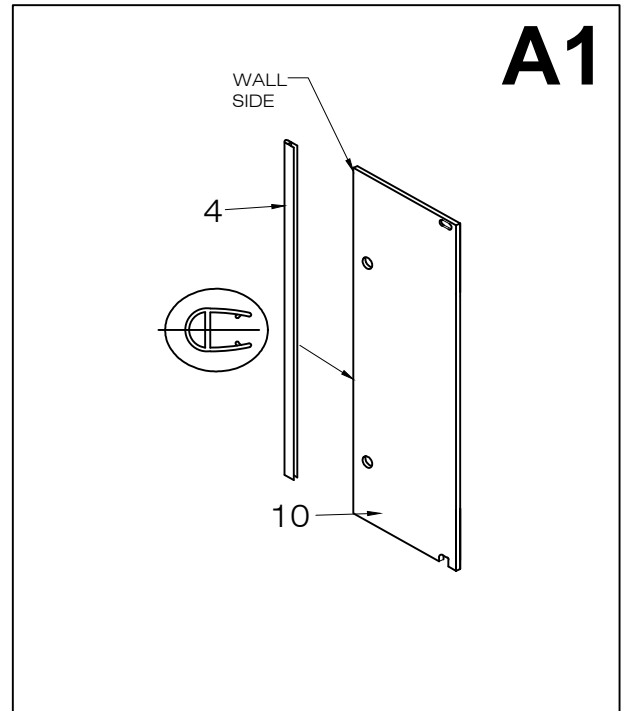


LEFT DOOR INSTALLATION

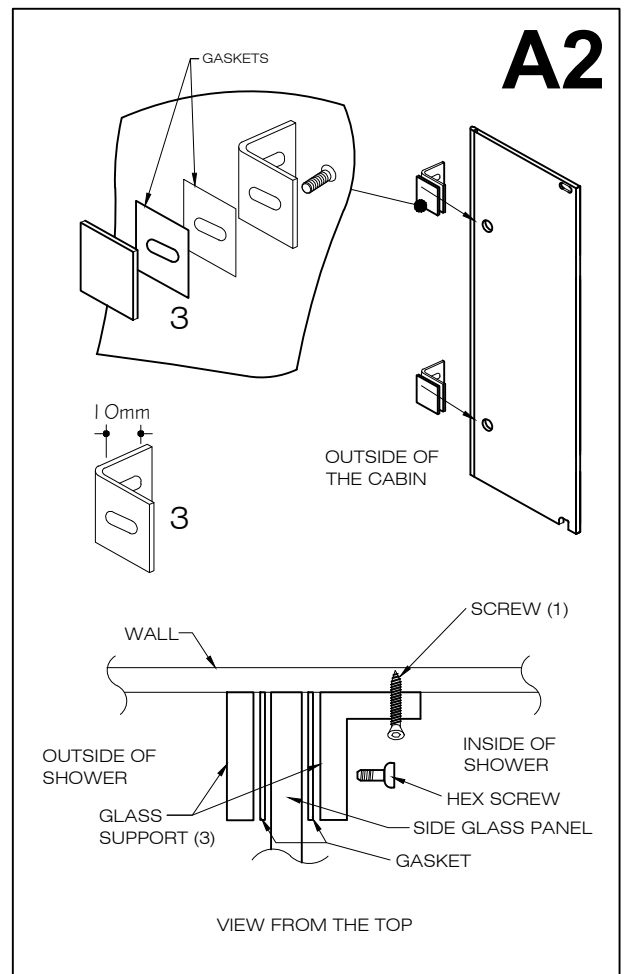
**INSTALLATION STEPS**

**A. INSTALLING SIDE GLASS PANEL (PART #10)**

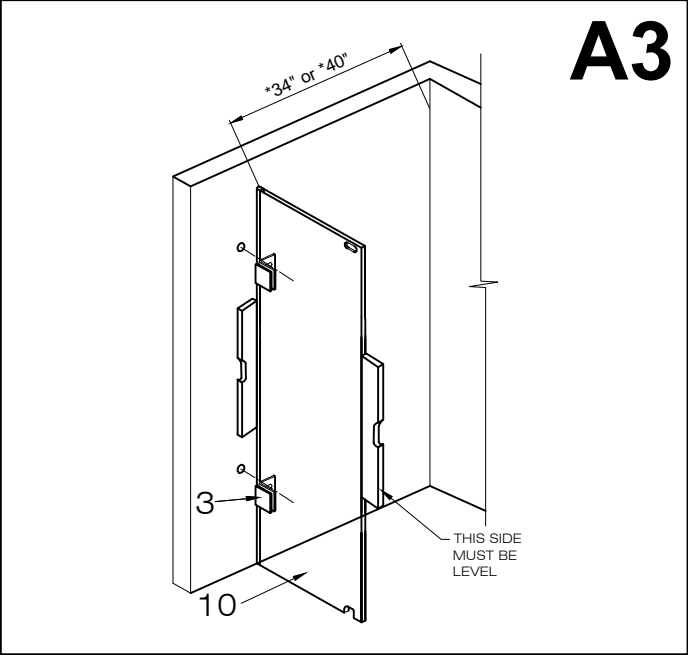
1. Arrange glass to the preferred configuration. (see diagram on page 5) **⊘ These instructions are for a right side door opening configuration.** Select the door opening location on the shower cabin. Install the side seal strip (#4) to the wall side of the hinged side glass panel (#10).



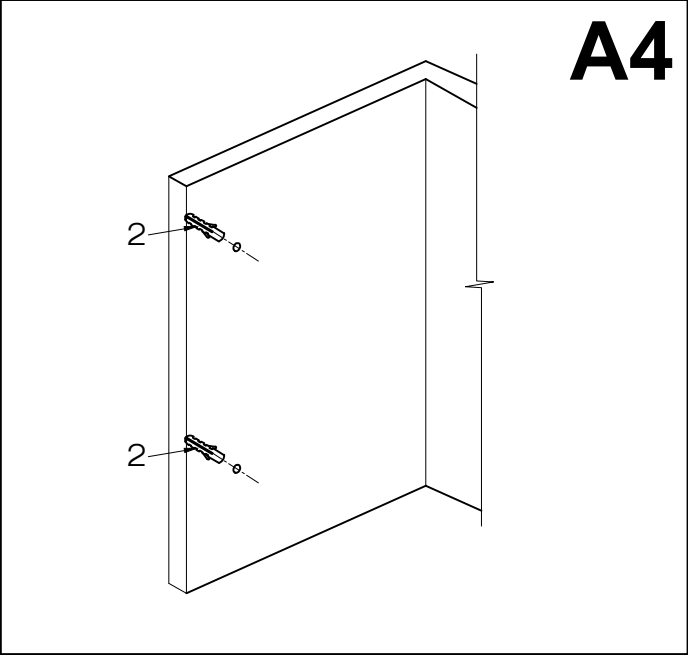
2. Screw in the glass support (#3) to the side glass panel using the hex key (supplied) making sure to slide it back as far as possible from the glass before you tighten. The part that connects to the wall should face in. Be sure to use gaskets on both sides of the panel. The glass holes are elliptical allowing for 10mm out of square. **⚠ If your shower stall is out of square more than 5mm from the top of the glass to the bottom of the glass then this can cause the shower to potentially leak and can cause potential fatal harm.**



3. Measure \*34" or \*40" from the corner of the wall. This will be where you place the side panel (#10). Make sure glass panel is level to the wall. Use the level to position the side glass panel correctly. Make sure the seal strip is against the wall. Mark holes on the wall for the mounting screws.  
 \* **This measurement will be based off of the size unit you have. If you have the 36" unit you will measure 34". If you have the 42" unit you will measure 40"** .

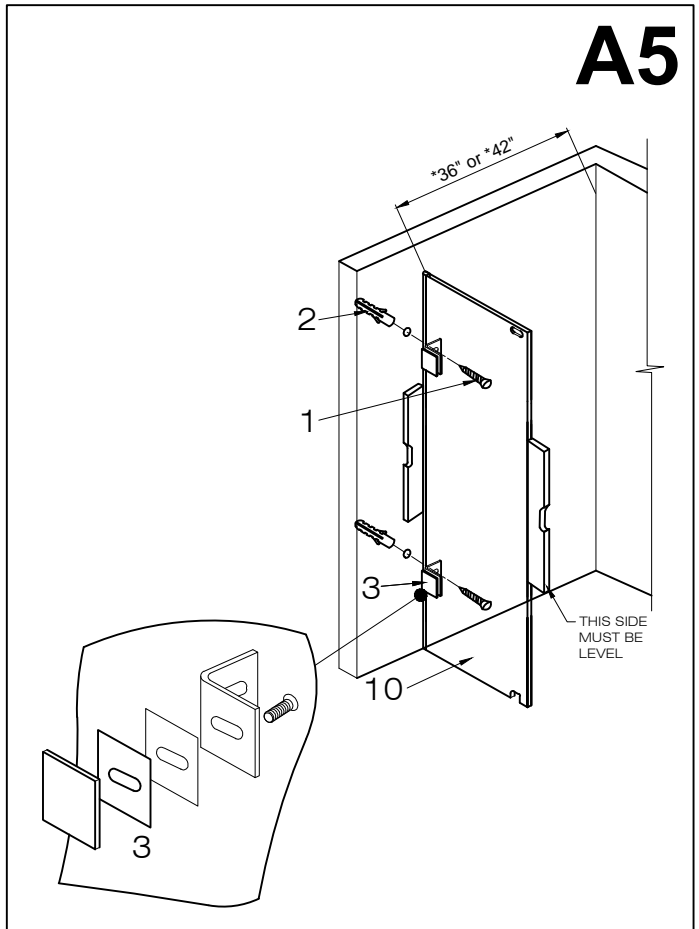


4. Remove the side glass panel. Drill holes into respective marks and insert plastic anchors (#2) inside them. **⚠ Not necessary if installing into studs. Studs are the preferred means of installation, anchors can pull out of the wall causing property damage and bodily harm.**



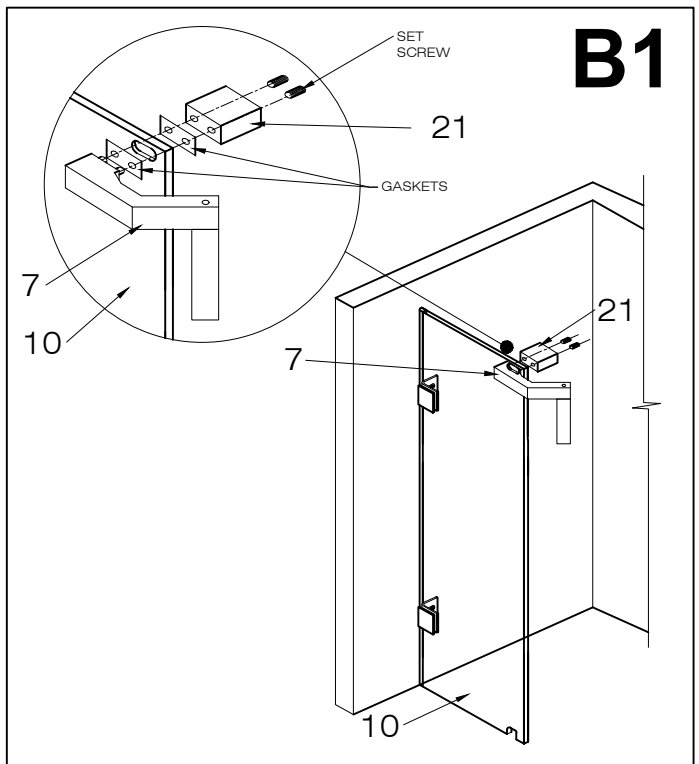


5. Replace the side glass panel (#10) back into place and screw the glass supports (#3) to the wall with 1 5/8" screws (#1). If the panel is not level from the end, adjust the position of the glass supports on the glass. This being level is imperative to the installation.

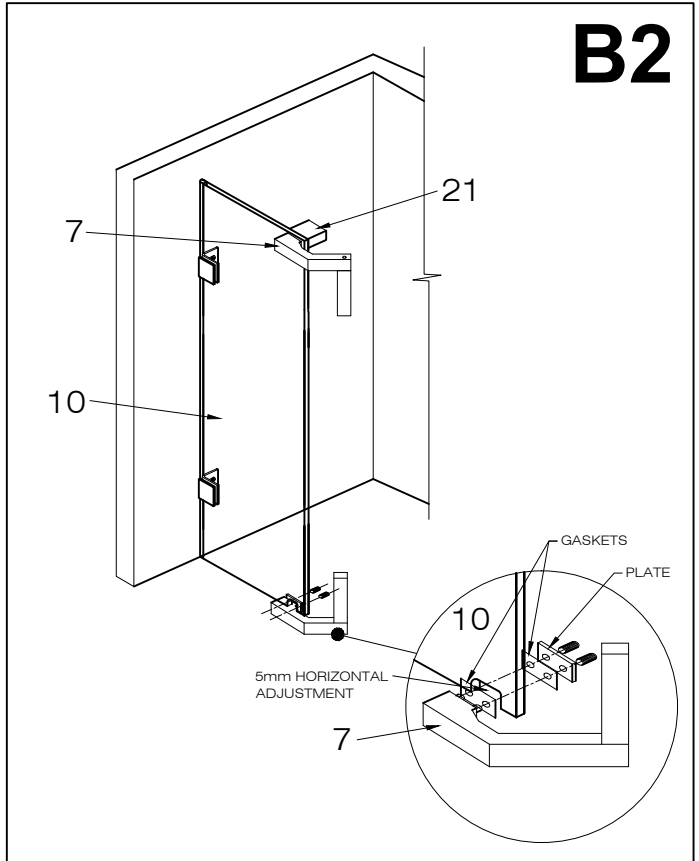


**B. INSTALLING THE HINGE TO THE SIDE GLASS PANEL (#10)**

1. Clean the glass surface on the side glass panel (#10) where the hinges (#7) are to be installed with rubbing alcohol. Place gaskets on each side of the side glass panel (#10). Position the top hinge on the side glass panel as shown. Make sure the set screw side is facing the wall. Screw into place with the set screws through the support assembly (hinge side) (#21) with the allen key provided.



- Place gaskets on each side of the side glass panel (#10). Position the bottom hinge on the side glass panel as shown. Screw into place with the set screws.



**⚠ WARNING**

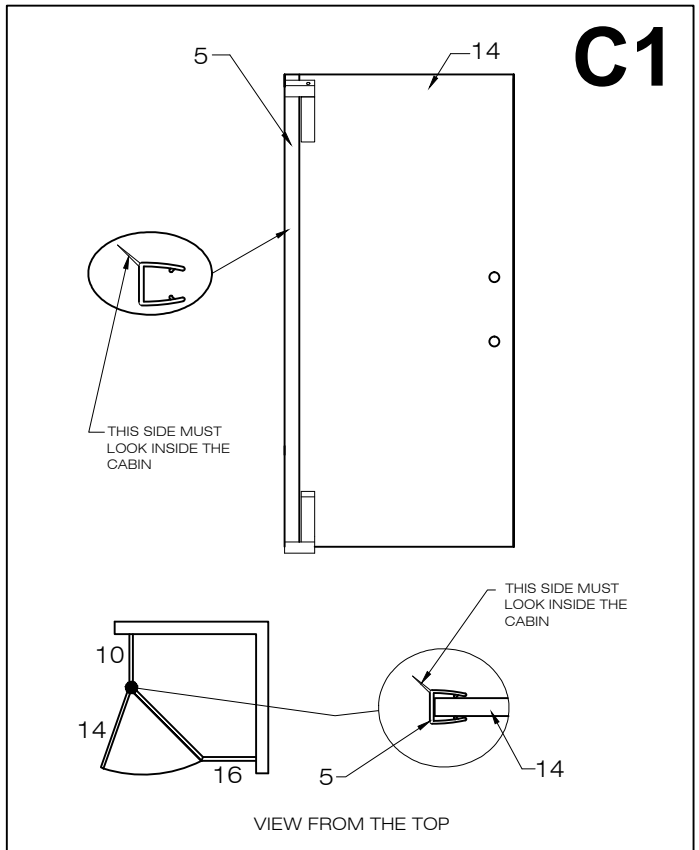
DOOR PANEL INSTALLATION REQUIRES TWO OR MORE PEOPLE TO ASSIST

**C. INSTALLING THE DOOR PANEL**

- Clean the door glass panel (#14) edge where the door side seal strip (#5) is to be installed with rubbing alcohol. Verify that the soft flange of the seal strip faces toward the inside of the shower cabin before seal strip installation. Install the seal strip according to the diagram, making sure the bottom of the seal is flush with the bottom of the door.

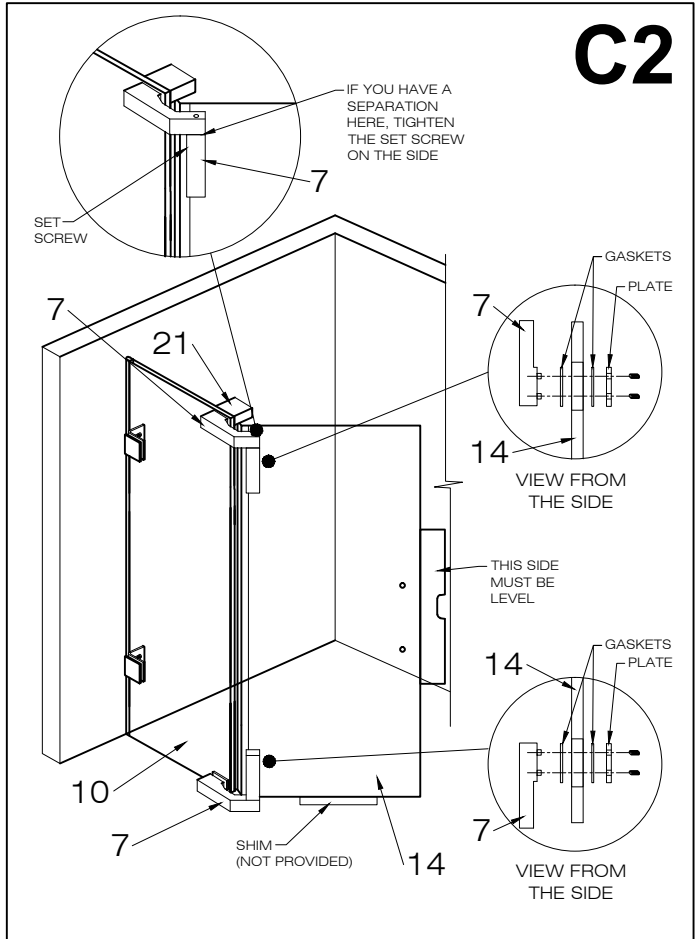
**NOTES:**

- If the seal strip is not flat or twisted, use hot water and a hair dryer to apply minimal heat and press the seal strip back into position.
- Part #5 is reversible and pre-cut on top and bottom to fit in proper configuration. Cutting/finishing is needed but only after fully installing and only at the top of the unit.



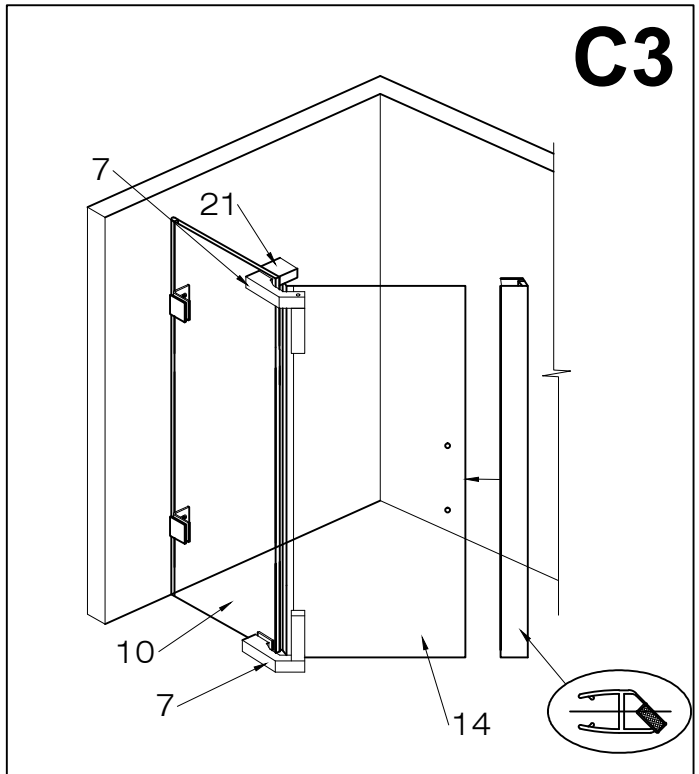
C2

- Install the hinge pieces (#7) on the door first. Then raise the glass, making sure the pin on the hinge (door side) goes into the corresponding hole in the top hinge on the fixed panel. The bottom pin should then go into the bottom hinge on the fixed panel. Place the door (#14) on shims (not provided) to hold firmly in place. Tighten allen key screws using the hex key supplied. Make sure the door is level from the end. If the door is not level, adjust the hinge positions until the door is level. This being level is imperative to the installation and will guarantee a tight seal. **⚠ If there is a separation in the hinge make sure to tighten the set screw.**



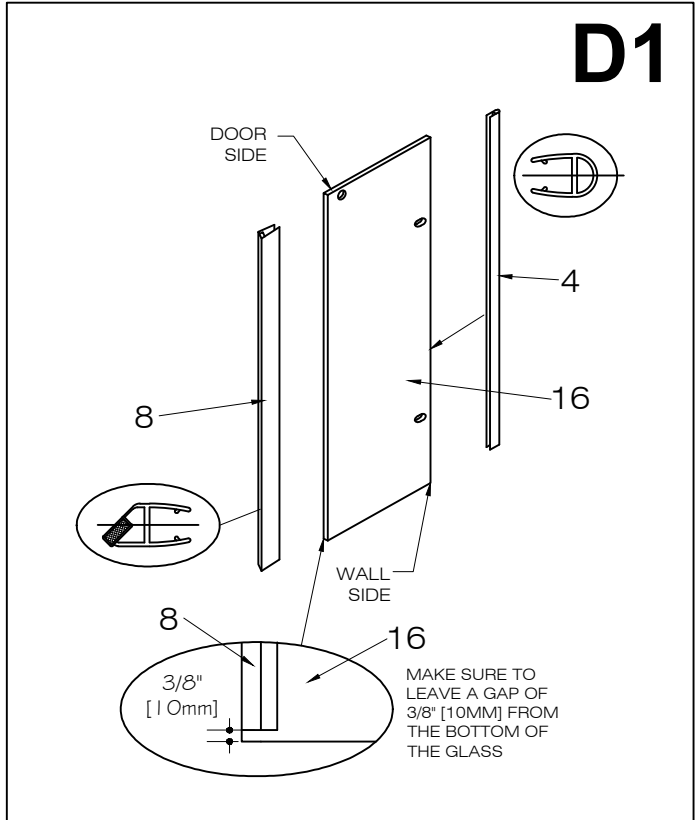
- Clean the door (#14) glass surface where the door magnetic seal strip (#8) is to be installed with rubbing alcohol. Place magnetic seal strip (#8) to the door. Line the top of the door to the top of the magnetic seal strip. The magnetic side should be facing the inside and the clear side be facing the outside. The door magnetic seal strip (#8) is reversible. **⚠ Do not install the handle first, this is dangerous and may cause the glass to break.**

C3



**D. INSTALLING SIDE GLASS PANEL (PART #16)**

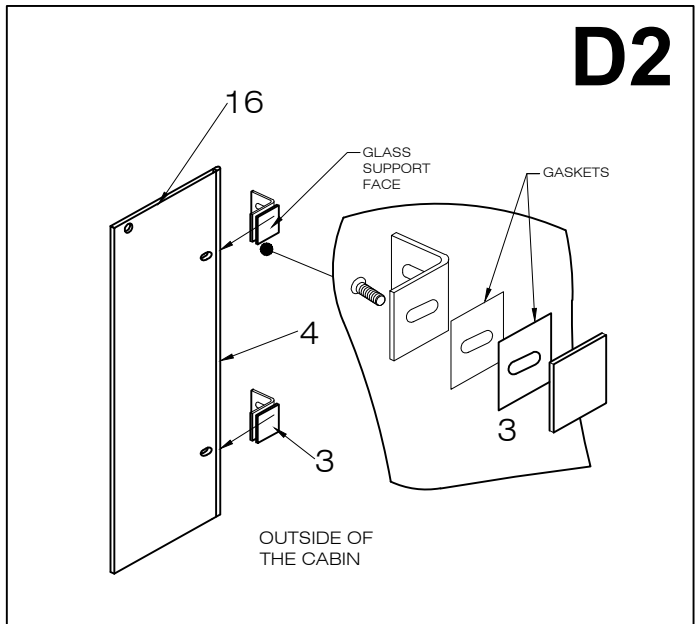
1. Install the side seal strip (#4) to the wall side of the side glass panel (#16). Install the magnetic side seal strip (#8) to the door side. The magnetic side should be facing the inside and the clear side be facing the outside. Installing the magnetic seal strip prior to locating the place for the glass support allows for proper seal. It should go all the way to the bottom of the glass panel in order to prevent water leakage.



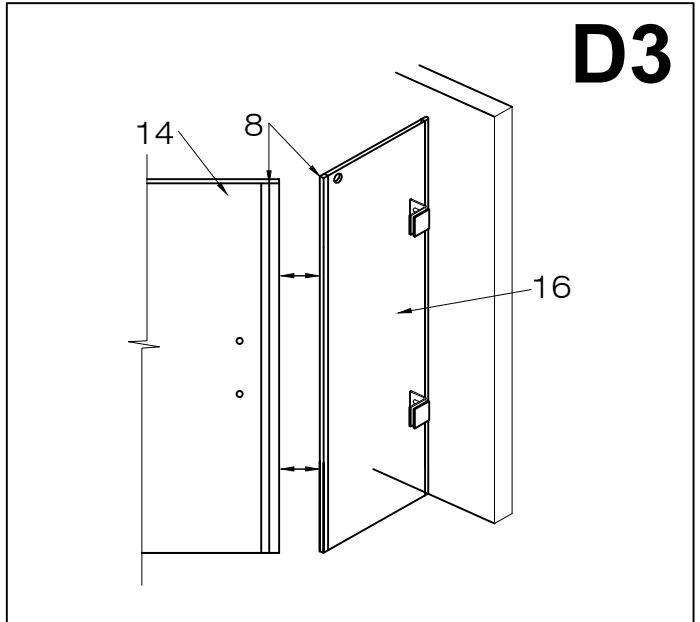
2. Screw in the glass support (#3) to the side glass panel (#16) using the hex key (supplied). Be sure to use gaskets on both sides of the panel. **⚠ Do not completely tighten. Leave rather loose so they can slide on the glass panel.**

**NOTE:**

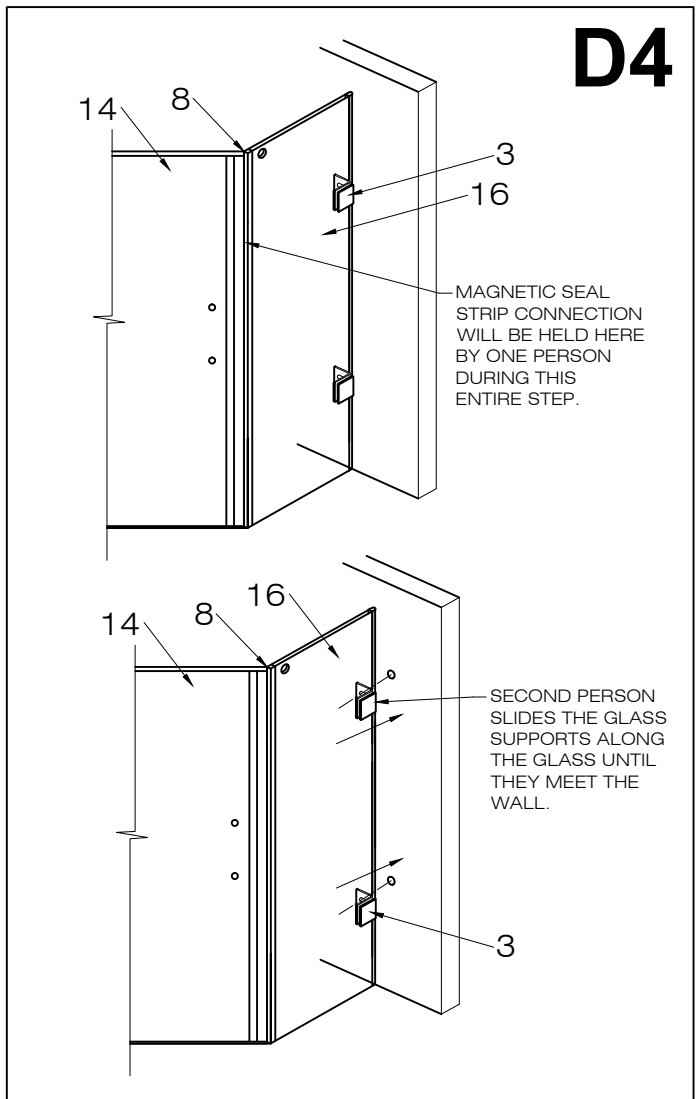
1. When the Vigo logo is facing out the face of the glass support (#3) will face out.



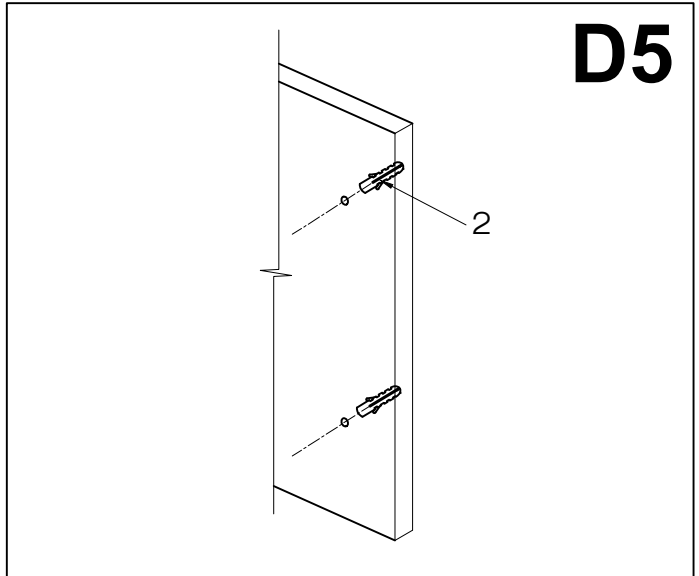
- Position the side glass panel (#16) as shown. Connect the side glass panel (#16) to the door (#14) by the magnetic seal strips (#8).



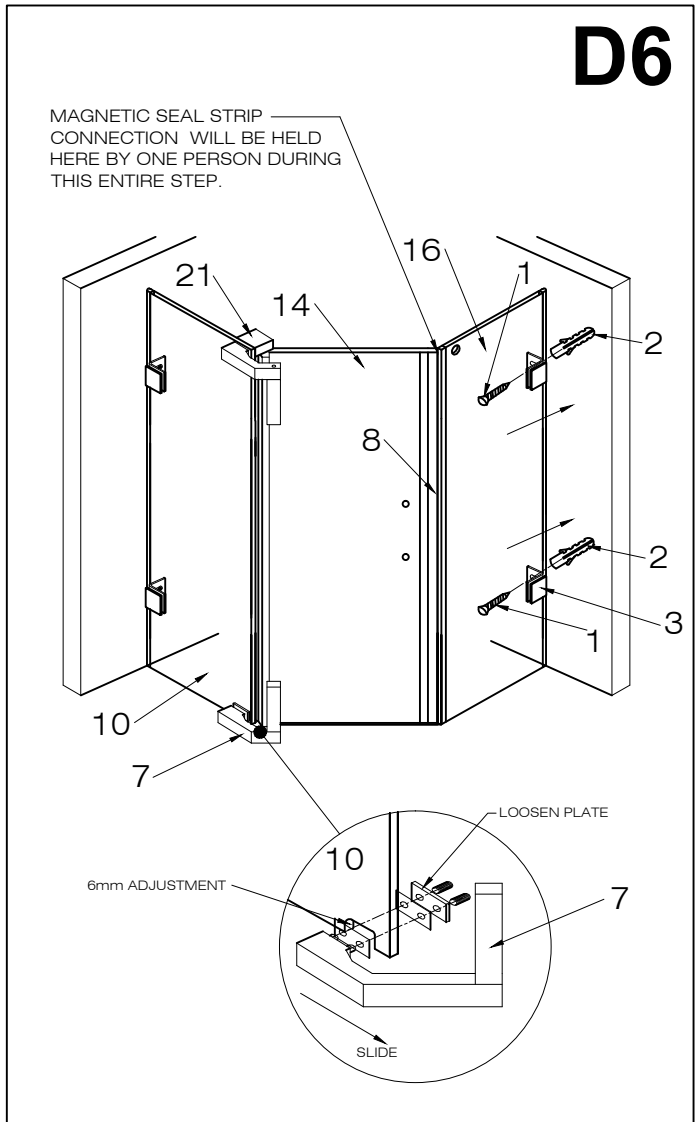
- One person must hold the connection at the magnetic seal strips (#8) in place. The other person, with the glass supports (#3) loose on the glass, will slide the glass supports along the glass to the wall and mark holes on the wall for the mounting screws.



- Remove the side glass panel. Drill holes into respective marks and insert plastic anchors (#2) inside them. **⚠ Not necessary if installing into studs. Studs are the preferred means of installation, anchors can pull out of the wall causing property damage and bodily harm.**

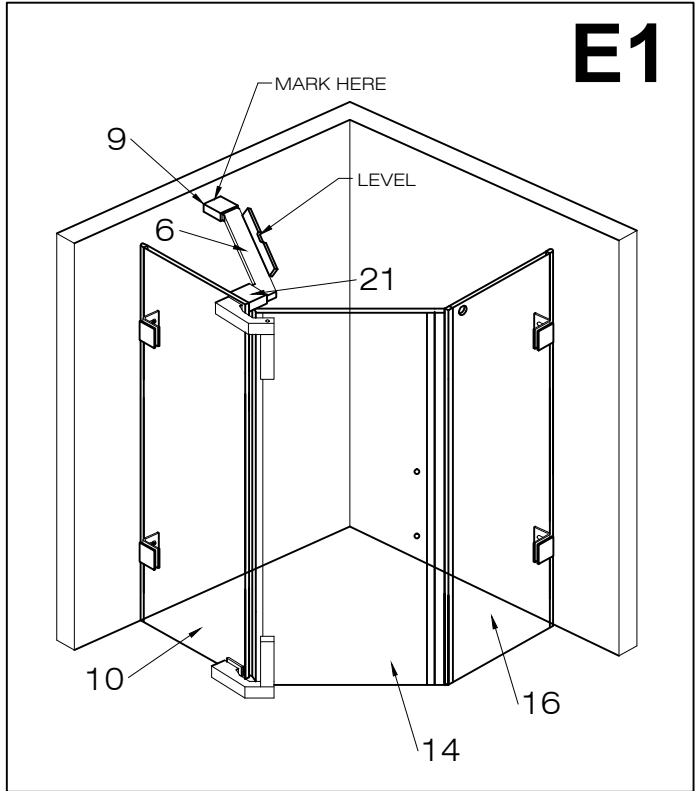


- Replace the side glass panel (#16) back into place and screw it to the wall with 1 5/8" screws (#1). Tighten the glass supports (#3) to the side glass panel. **NOTE: One person should be holding the side panel and door panel closed (with the magnetic seal strips on) while the other person screws in the glass supports. This will ensure a proper seal. It is important to have a tight seal at the magnetic seal strips. If the fixed panel on the magnetic seal side does not reach the wall you can adjust the dimension. Loosen the bottom hinge inside plate and slide the glass until the magnetic seals are firmly locked. There is a total of 6mm horizontal adjustment.**

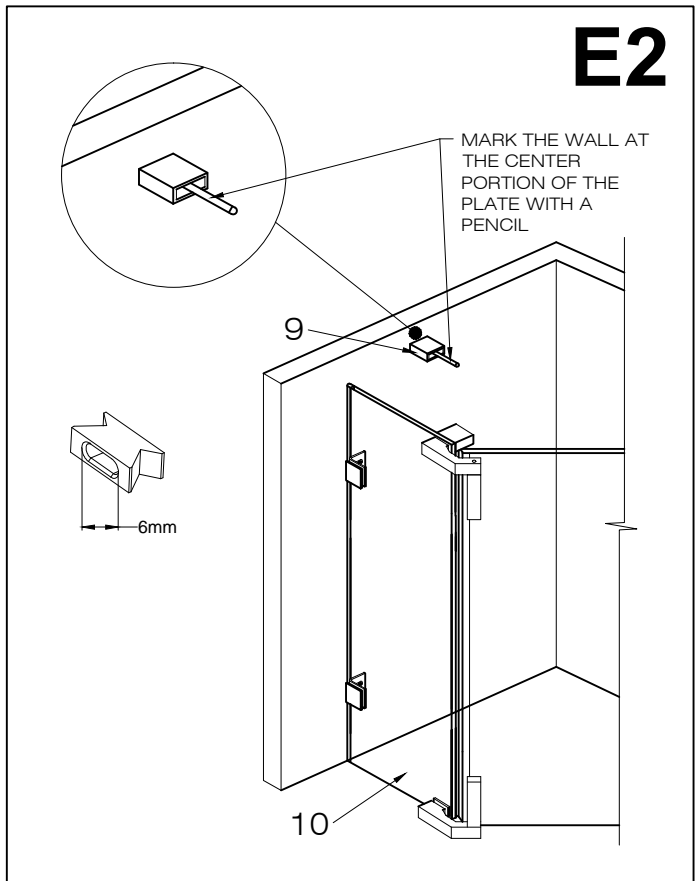


**E. INSTALLING THE SUPPORT ASSEMBLIES**

1. Install the wall connector (#9) and the structural arm (#6) into the support assembly (#21) that is already attached to the side glass panel (#10). Make sure it's level. Mark the position of the wall connector (#9) on the wall.



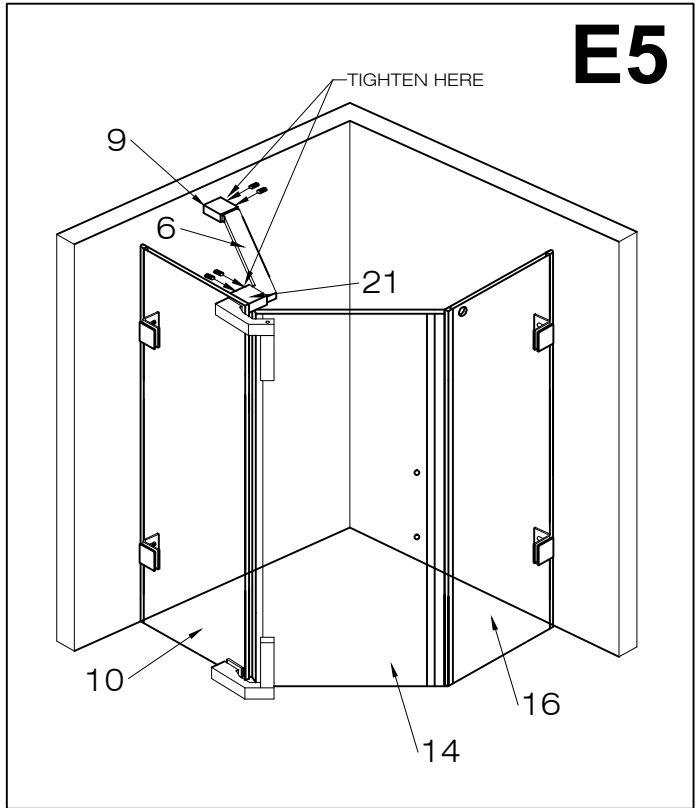
2. Remove the structural arm (#6). Line the outside of the wall connector (#9) with the markings on the wall. With the plate still installed to the wall connector, mark the wall at the center portion of the plate. **Note: There is a 6mm adjustment built into the mounting plate of the wall connector (#9).** ⚠ It is important to perform a dry fit prior to install. Once everything is level and plumb then you can begin your drilling.





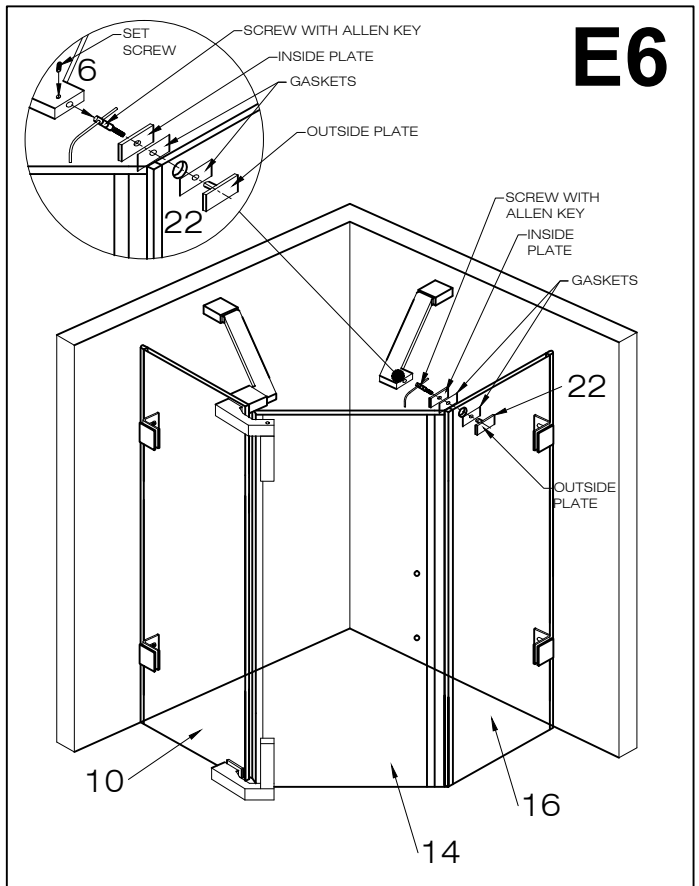


- Replace the wall connector (#9) onto the plate. Replace the structural arm (#6). Tighten all set screws with the hex key supplied.

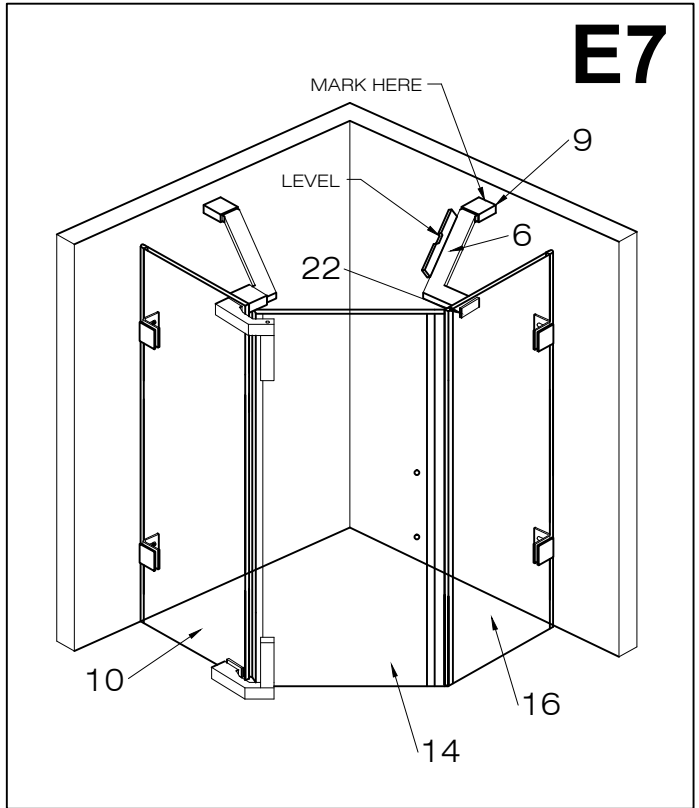


- Install the other structural arm (#6) into the support assembly (#22) through the side glass panel (#16). Place the outside plate through the hole in the side glass panel (#16) from outside of the shower. Place the inside plate on the other side and screw together using the allen key provided. Slide the structural arm over the screw and tighten the set screw on top of the structural arm.

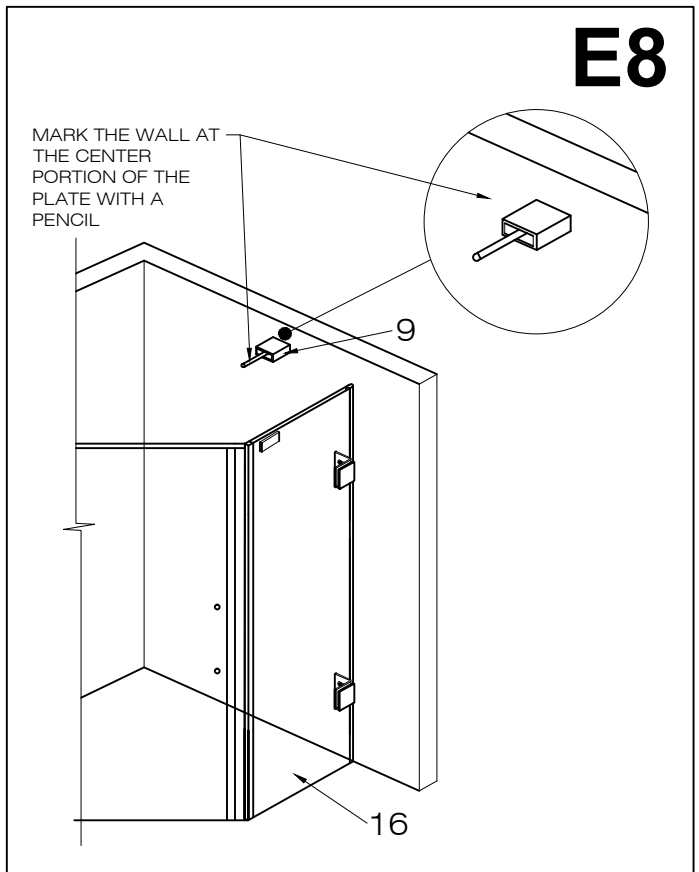
**Note: If not already attached to the plates, places gaskets between the plates and glass. Metal should not rest on glass without gaskets.**



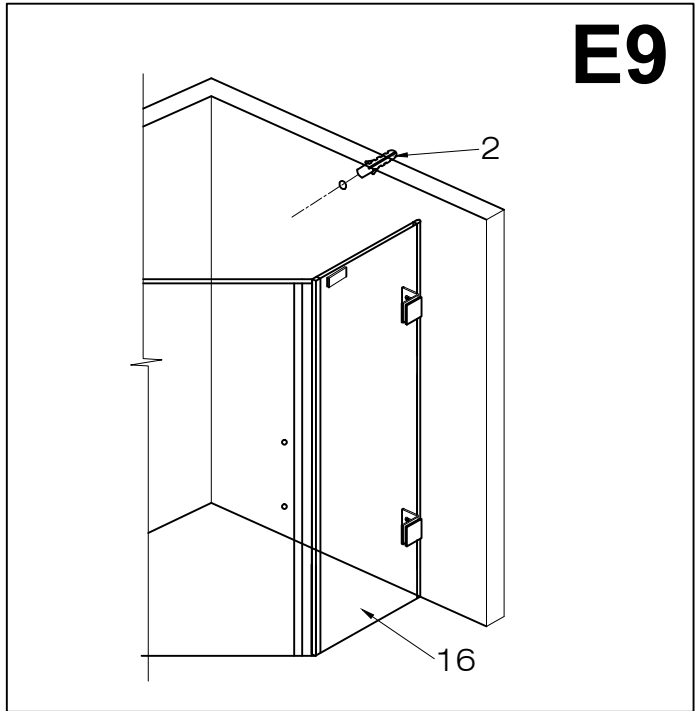
7. Install the wall connector (#9) to the structural arm (#6). Make sure it's level. Mark the position of the wall connector (#9) on the wall.



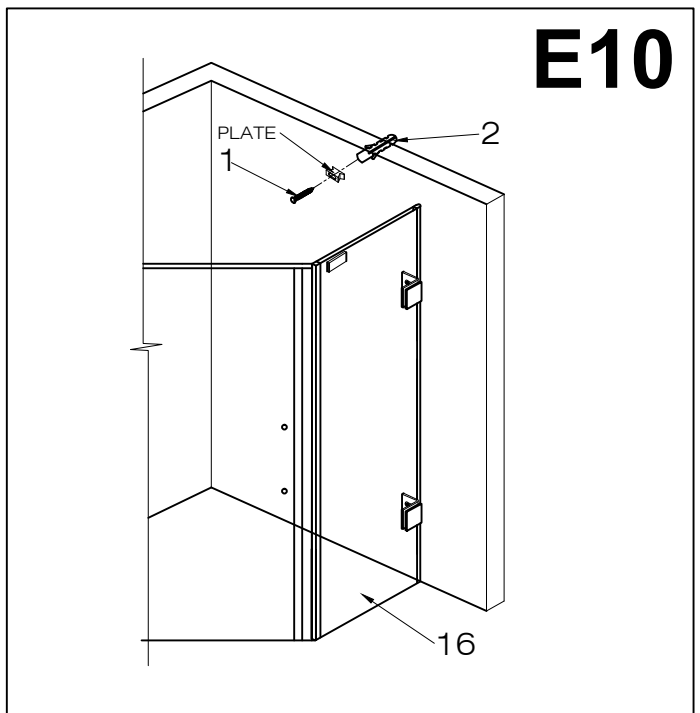
8. Remove the structural arm (#6). Line the outside of the wall connector (#9) with the markings on the wall. With the plate still installed to the wall connector, mark the wall at the center portion of the plate. **Note: There is a 6mm adjustment in the wall mount bracket plates.** ⚠ It is important to perform a dry fit prior to install. Once everything is level and plumb then you can begin your drilling.



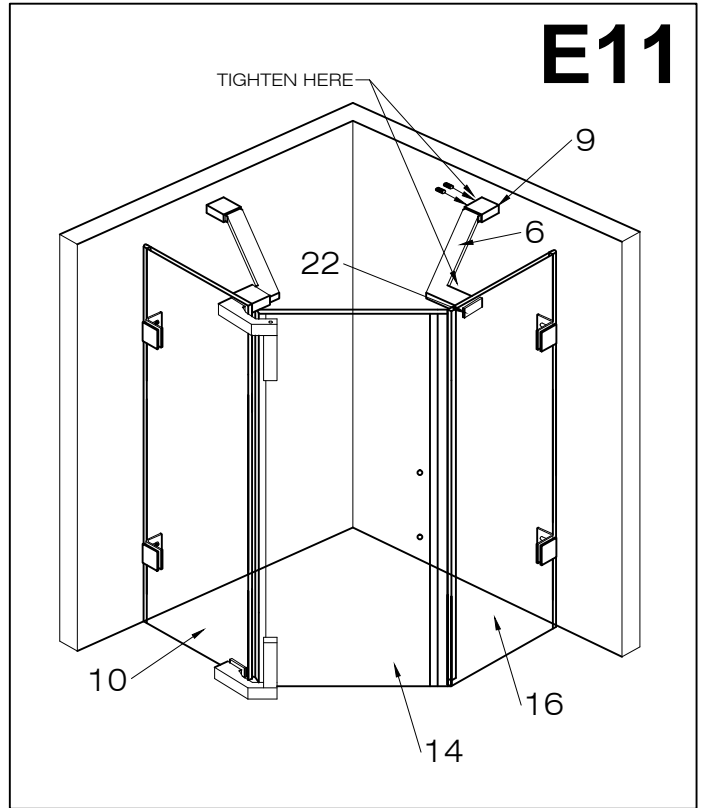
- Remove the wall connector (#9) and drill a hole into the respective mark and insert a plastic anchor (#2) inside it. **⚠ Not necessary if installing into studs. Studs are the preferred means of installation, anchors can pull out of the wall causing property damage and bodily harm.**



- Untighten the plate from the wall connector (#9) and screw into the wall with a 1 5/8" screw (#1).

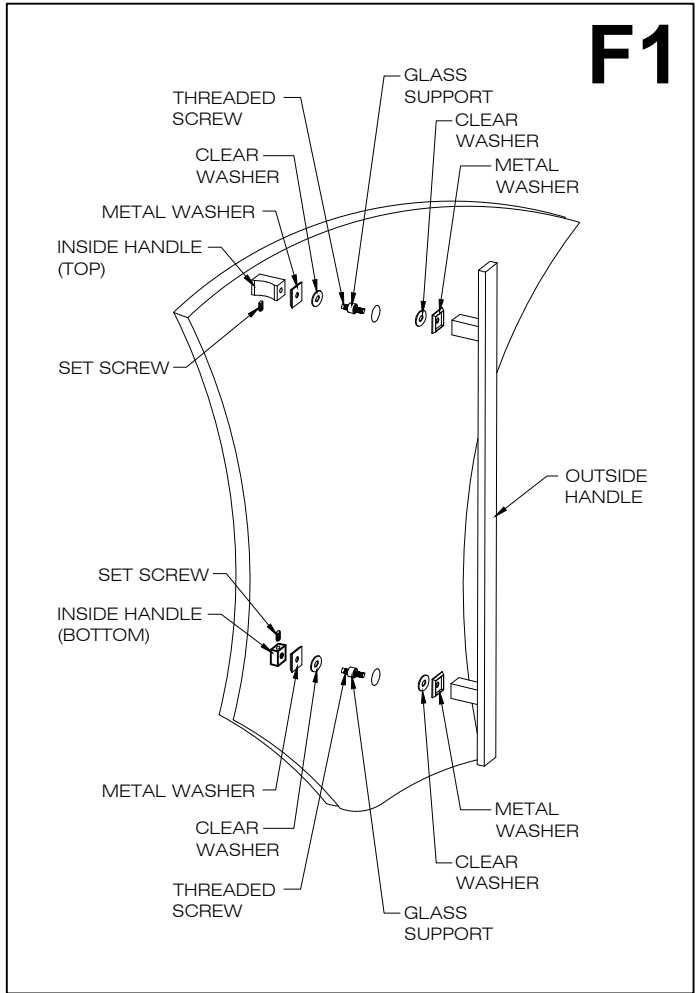


11. Replace the wall connector (#9) onto the plate. Replace the structural arm (#6). Tighten all set screws with the hex key supplied.



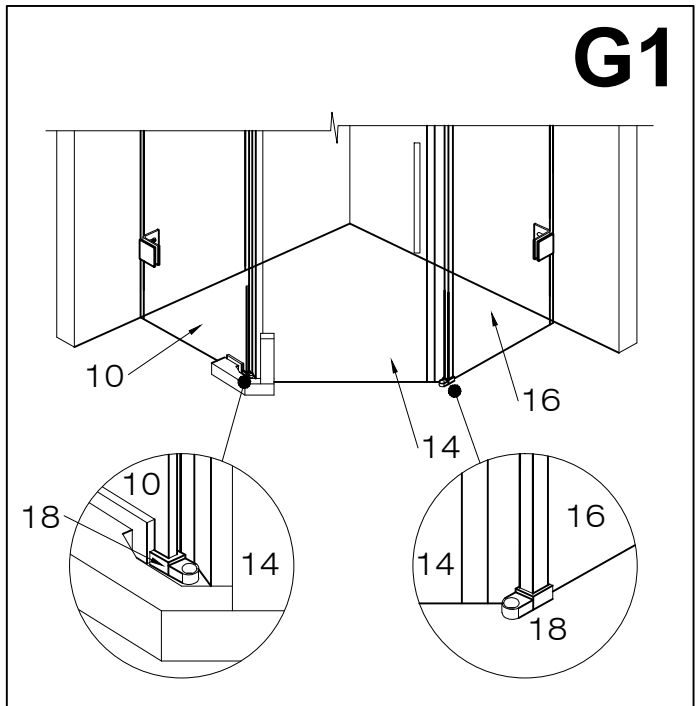
**F. INSTALLING THE HANDLE ASSEMBLY**

1. Assemble the door handle (#15) to the door (#14) as shown. Tighten the set screws.



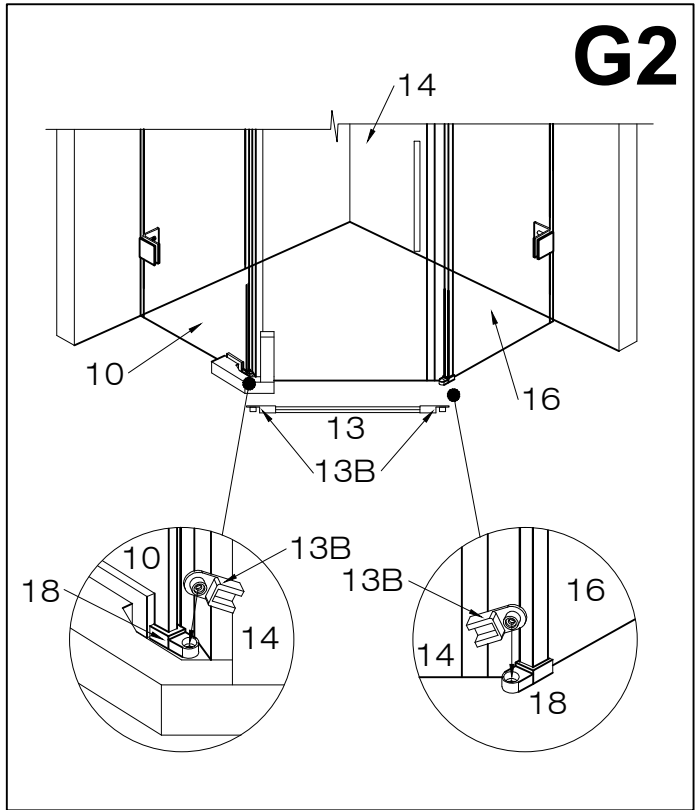
**G. INSTALLING THE THRESHOLD**

1. Position the side glass panel clips (#18) to the side glass panels (#10 and #16).



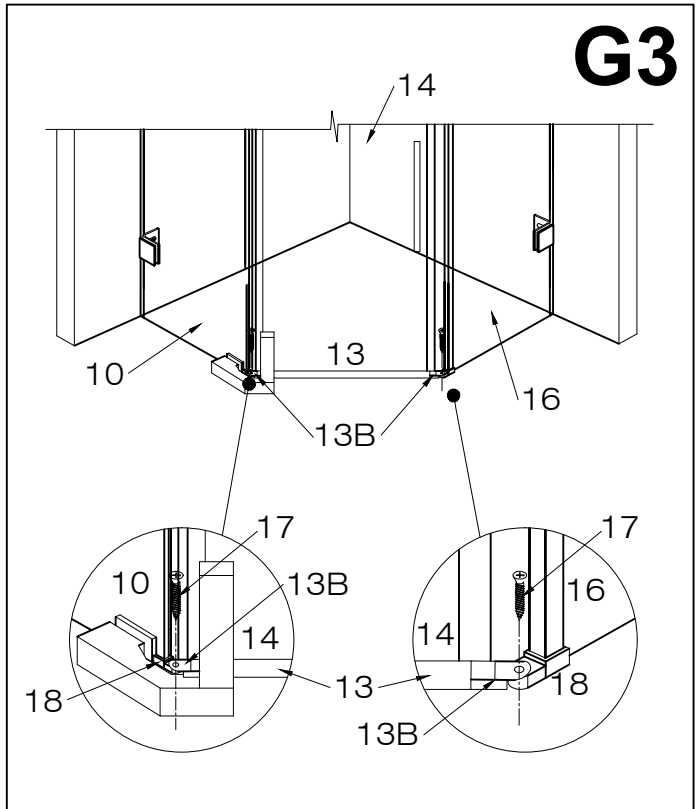
**G2**

- Put the threshold (#13) into the threshold end caps (#13B). Place the threshold (#13) and threshold end caps (#13B) over the side glass panel clips (#18). Screw into the floor with 3/4" screws (#17).



- Screw into the floor with 3/4" phillips screws (#17).

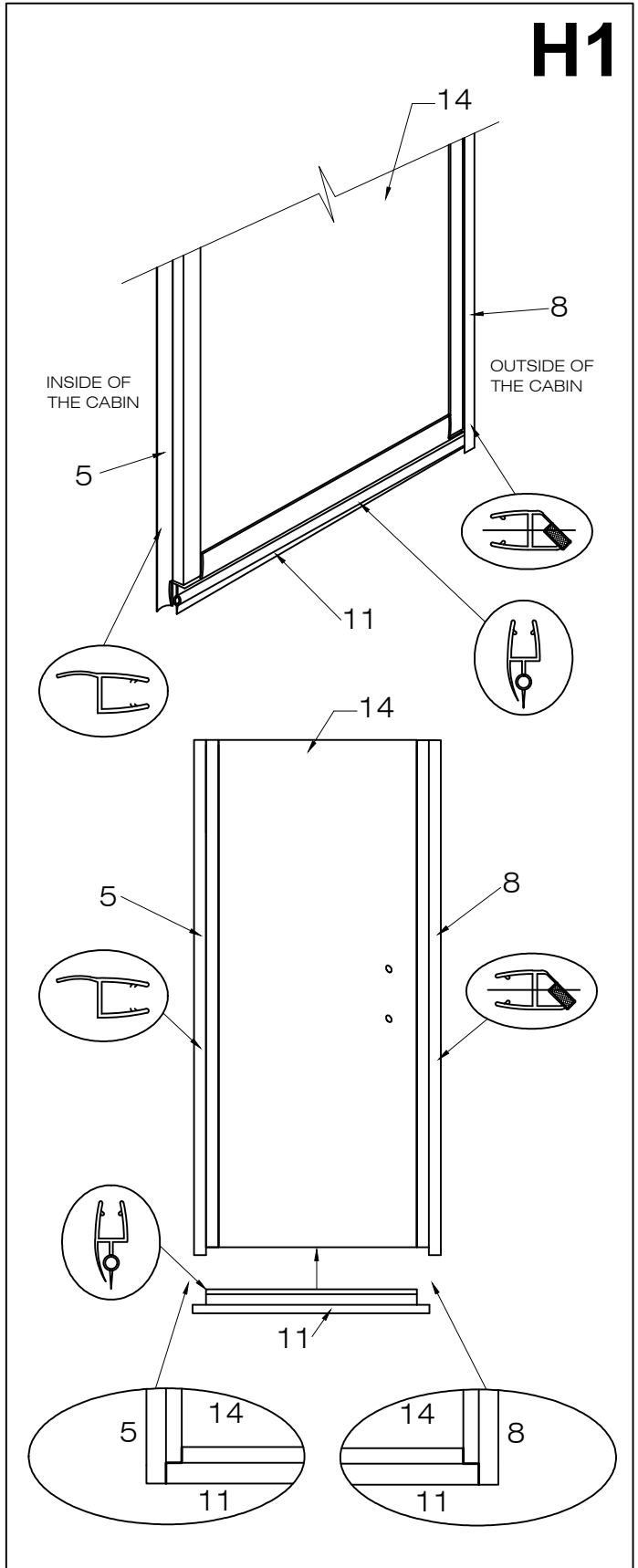
**G3**



H1

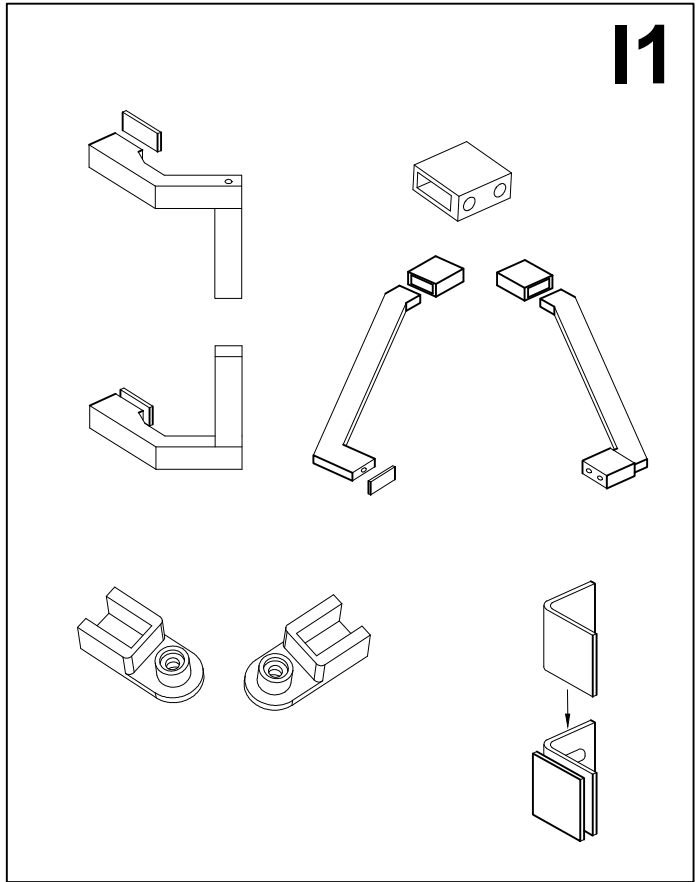
**H. INSTALLING BOTTOM DOOR SEAL STRIP**

1. Clean the door glass panel (#14) edge where the door bottom side seal strip (#11) is to be installed with rubbing alcohol. Verify that the soft flange of the seal strip faces toward the inside of the shower cabin before seal strip installation. Install the seal strip according to the diagram. **NOTE: If the seal strip is not flat or twisted, use hot water and a hair dryer to apply minimal heat and press the seal strip back into position.**



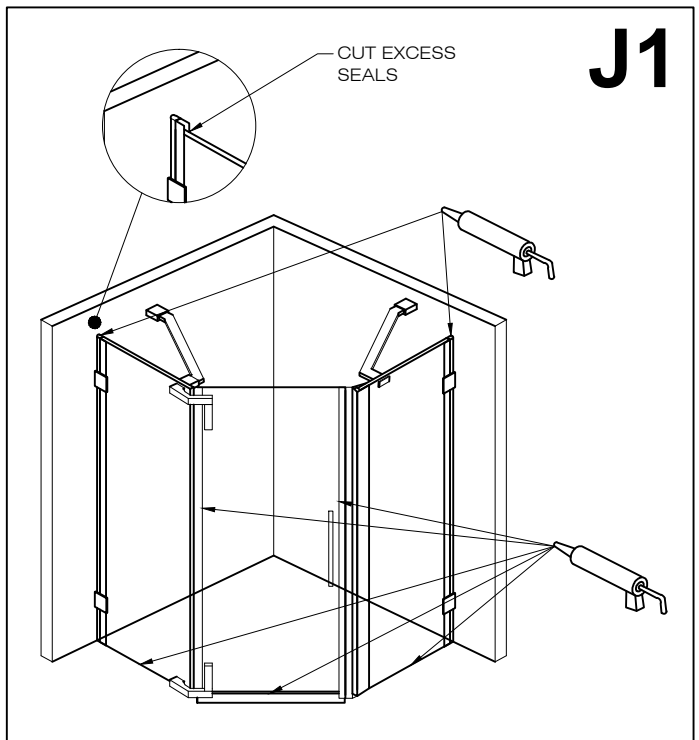
**I. INSTALLING COVERS**

1. Install screw covers (#19) and (#20) to the screws that mount the hinges, wall connectors, threshold end caps and structural arms. Install the glass support covers to the glass supports (#3).



**J. APPLYING THE SILICONE**

1. Apply clear silicone caulking to the inside between the wall and side seal strip. Apply clear silicone caulk to the inside between the bottom of side glass panels (#10, #16) and threshold. Apply clear silicone caulk to the seal strip connections of the door bottom seal strip and the door magnetic seal strip. **NOTE:** Cut any excess overhang of seal strips at the top of the panels.





**⚠ IMPORTANT**

- WAIT 24 HOURS BEFORE USING SHOWER
- DO NOT ALLOW WATER TO DIRECTLY HIT DOOR SEAL STRIPS.

**CLEANING INSTRUCTIONS FOR THE SHOWER CABIN AND DOOR PANEL**

1. Use a mild liquid household cleaner to keep metal surfaces bright and clean. Rinse well and dry with a soft, clean cloth.
2. Remove dust with a soft, damp cloth.
3. Use a standard household window cleaner to clean the glass panels.
4. A water beading treatment, similar to what you would use on an automobile windshield, can be used on the inside of the glass to keep it looking brand new.
5. Use rubbing alcohol to clean and remove grease, oil, paint and ink.
6. Should you accidentally scratch or stain your shower enclosure, use a liquid automobile polish to remove.

**⚠ IMPORTANT**

1. DO NOT use abrasive cleaners, scrapers, metal brushes or any items that could scratch or dull the surface.
2. DO NOT allow surface to come in contact with acetone (nail polish remover), dry cleaning solution, lacquer thinner, gasoline or other similar products.

**REGULAR CARE AND MAINTENANCE OF YOUR VIGO SHOWER ENCLOSURE**

Your home is a moving entity, shifting and settling over time. Vigo understands this and has designed their shower enclosures with this in mind. It is the responsibility of the homeowner or end user to maintain the integrity of their newly installed enclosure, using the integrated adjustability features. In order to keep your shower enclosure in optimal working condition, Vigo recommends regularly inspecting your enclosure and tightening any hardware that may have loosened during use. This simple step will insure optimal results from your Vigo shower enclosure for many years to come.