



## VIGO INDUSTRIES INSTALLATION GUIDE FOR SHOWER ENCLOSURE (MODEL VG06073)

### **SAFETY PRECAUTIONS**

This Installation Guide uses the following symbols to indicate important information. Always observe the instructions indicated by these symbols.

### **WARNING**

Instructions that, if ignored, could result in death or serious personal injury caused by incorrect handling or installation of the product. These instructions must be observed for safe installation.

### **IMPORTANT**

Maintenance and other important non-personal injury and non-material damage instructions or statements that should be observed.

It is highly advised to dry fit the unit prior to any installation.

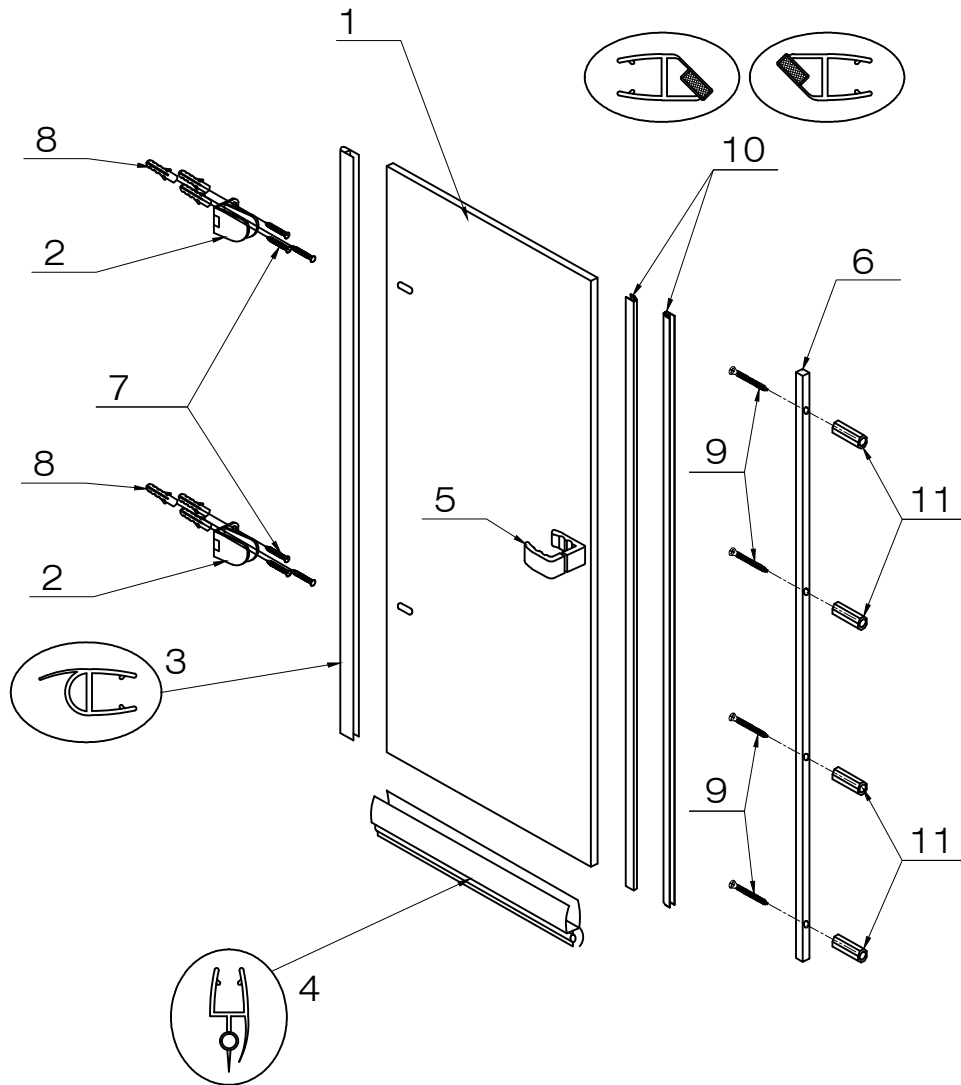
# INSTALLATION INSTRUCTIONS FOR STANDING SHOWER CABIN

## OWNER'S MANUAL

PLEASE READ INSTRUCTIONS BEFORE PROCEEDING

### Packing List

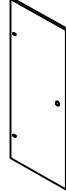
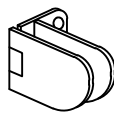
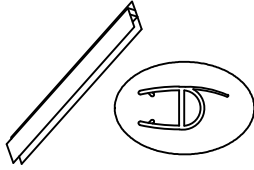
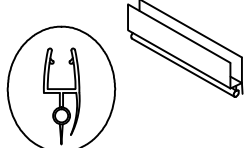
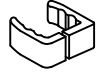

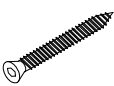
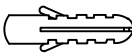

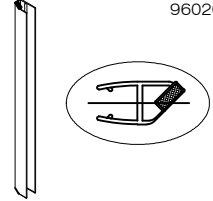
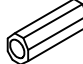

1. Door (1pc)
2. Hinge (2pc)
3. Side seal strip (1pc)
4. Door bottom seal strip (1pc + 1pc is extra)
5. Handle assembly (1pc)
6. Vertical track (1pc)
7. Hex screw 1 5/8" (4pc)
8. White plastic anchor (4pc)
9. Phillips screw 1 1/4" (4pc)
10. Door magnetic seal strip (2pc)
11. Green plastic anchor (4pc)
12. Screw covers (8pc)



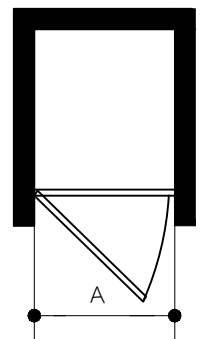
GLASS THICKNESS:8mm

NOTE: INSTALLATION MUST BE DONE BY A QUALIFIED, LICENSED CONTRACTOR.

**MODEL VG06073**

<p>1. DOOR</p> <p>97028-24 97028-26 97028-28 97028-30</p> 	<p>2. HINGE ASSEMBLY</p> <p>98072</p> 	<p>3. SIDE SEAL STRIP WITH FLANGE</p> <p>96017</p> 	<p>4. DOOR BOTTOM SEAL STRIP</p> <p>96018</p> 	<p>5. DOOR HANDLE</p> <p>98073</p> 
<p>6. VERTICAL TRACK</p> <p>98074</p> 	<p>7. HEX SCREW 1 5/8"</p> <p>98039</p> 	<p>8. WHITE PLASTIC ANCHOR</p> <p>98038</p> 	<p>9. PHILLIPS SCREW 1 1/8"</p> <p>98077ST</p> 	<p>10. DOOR MAGNETIC SEAL STRIP</p> <p>96020</p> 
<p>11. GREEN PLASTIC ANCHOR</p> <p>98037</p> 	<p>12. SCREW COVER</p> <p>96040</p> 			

MODEL	DIMENSION "A"	HEIGHT*	#1- DOOR (97028)
24X70	24" - 24 1/2"	70 5/8"	22 1/4" X 70"
26X70	26" - 26 1/2"	70 5/8"	24 1/4" X 70"
28X70	28" - 28 1/2"	70 5/8"	26 1/4" X 70"
30X70	30" - 30 1/2"	70 5/8"	28 1/4" X 70"



**! WARNING**

WE STRONGLY RECOMMEND THAT A LICENSED PROFESSIONAL INSTALL THIS SHOWER CABIN AND INCLUDE THE ASSISTANCE OF A SECOND PERSON TO INSTALL THE DOOR UNIT. INSTALLATION OF THE SHOWER DOORS BY AN INEXPERIENCED PERSON MAY RESULT IN GLASS BREAKAGE AND, CONSEQUENTLY, CAUSE PERSONAL INJURY OR DEATH.

**BEFORE STARTING**

Compare items on your invoice with what you have received. Carefully review the Packing List on page 2. If any items are missing contact Vigo Industries at 1-866-591-7792.

**REQUIRED TOOLS**

- Square and/or Phillips #1 and #2 screwdriver
- Flat head screwdriver
- Electric drill plus 1/8", 5/16", 1/4" and 3/16" drill bits (depending on wall)
- Level
- Measuring tape
- Pencil (non-permanent)
- Clear silicone caulking
- Utility knife
- Shims

**! WARNING**

- Handle fragile items with care to prevent injury or material damage.
- Glass on panels and doors is tempered glass and must never be cut to prevent personal injury.

**⊘ IMPORTANT**

- Fiberglass or acrylic construction might not be sufficiently strong enough to support the shower door enclosure. You should use the wood framing from behind the face edge of the stall to provide a secure mounting to the door. Apply a bead of silicone between the walls and base of the stall.
- For optimum performance, you should install the shower door perfectly level on a level surface.
- When installing use heavy duty gloves.
- **FOR THE MATTE GLASS MODELS:** Oil secretions from skin will leave transparent spots on the matte side of the glass. Use a degreasing, non-abrasive cleaner to remove these secretions. The same will happen if you get silicone on the matte glass. Use a silicone remover to remove these stains.

**IMPORTANT:**

**THE CLEAR GLASS MODEL HAS A REVERSIBLE DOOR AND CAN BE INSTALLED TO THE RIGHT OR LEFT SIDE. (SEE CONFIGURATION DIAGRAM BELOW)**

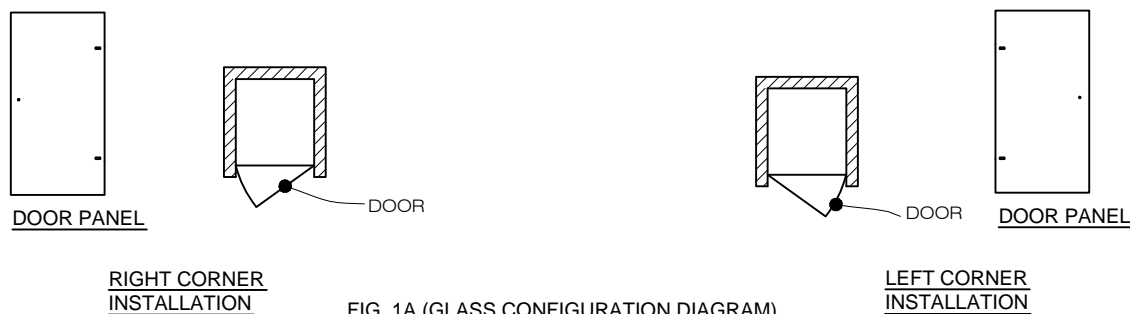


FIG. 1A (GLASS CONFIGURATION DIAGRAM)

**MODEL VG06073**

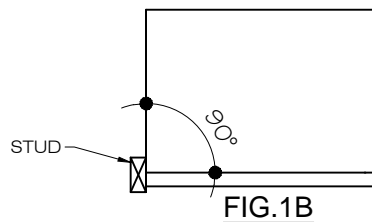
## PREPARATION STEPS TO FOLLOW BEFORE INSTALLATION

1. Remove the plastic layer from the base border (if needed). Do NOT remove the plastic layer off the plastic platform of the base/tub.
2. Properly apply silicone to the wall and base joints.
3. Measure your opening to determine if your unit will fit properly. See the chart below to determine the dimensions.

MODEL	OPENING DIMENSION
24X70	24 1/2" - 25"
26X70	26 1/2" - 27"
28X70	28 1/2" - 29"
30X70	30 1/2" - 31"

### ⊘ IMPORTANT

- Ensure that there is sufficient structural support behind the shower wall to hold the weight of the shower door. If there is insufficient support, then reinforce the shower walls with wooden studs prior to shower door installation. [SEE FIG.1B]



### ⚠ CAUTION

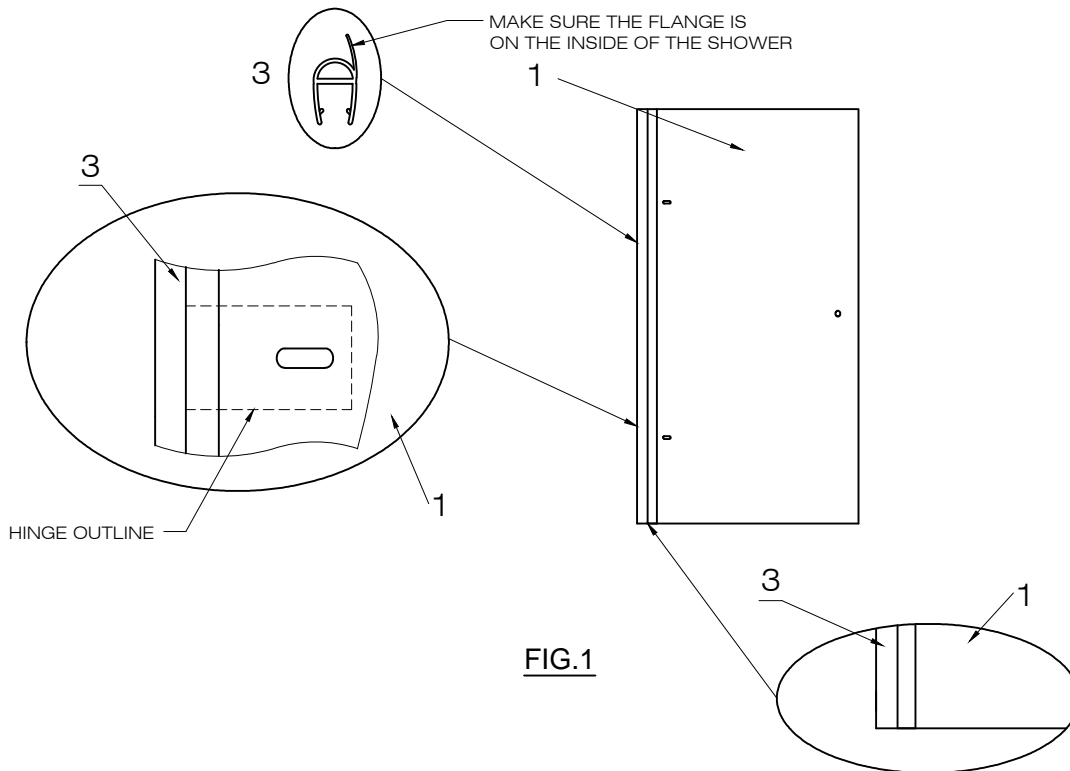
- GASKETS NEED TO BE IN BETWEEN ALL GLASS AND METAL CONTACT. FAILURE TO DO SO CAN LEAD TO BREAKAGE AND POTENTIAL BODILY HARM.

## INSTALLATION STEPS

### A. INSTALLING THE SIDE SEAL STRIP

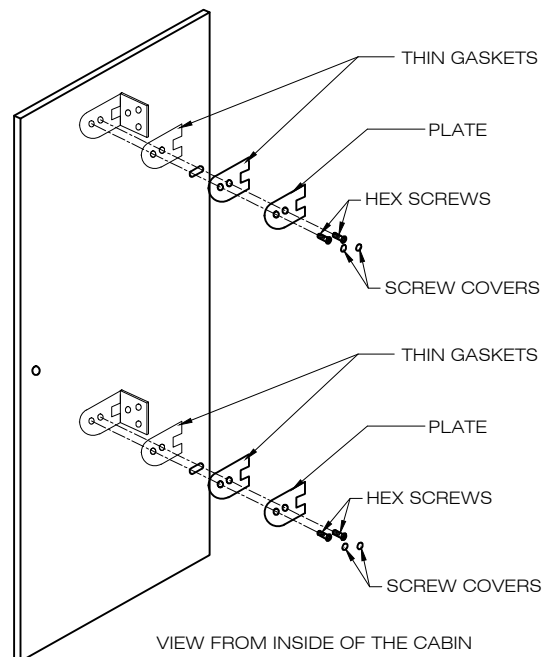
1. Clean all glass panel edges receiving seal strips with rubbing alcohol. [SEE FIG.1]
2. Cut seal strip (#3) according to seal strip diagram. [SEE FIG.1]
3. Install the side seal strip according to seal strip diagram, making sure that the flange is on the inside of the shower. [SEE FIG.1]

NOTE: If the seal strips are not flat, use a hair dryer to apply minimal heat and press the seal strip back into position.



## B. HINGE INSTALLATION

1. Clean the glass surface where the hinges (#2) are to be installed with rubbing alcohol.
2. Position hinges on the door glass panel.
3. Place gaskets on each side of the door glass panel. Screw the hinges to the door glass panel with the hex key (supplied). Place screw covers on top of the hex screws. [SEE FIG.2]
4. There is a 1/2" adjustment in the glass holes where the hinges are installed. You may need to adjust your hinges more than once to close your unit opening properly.



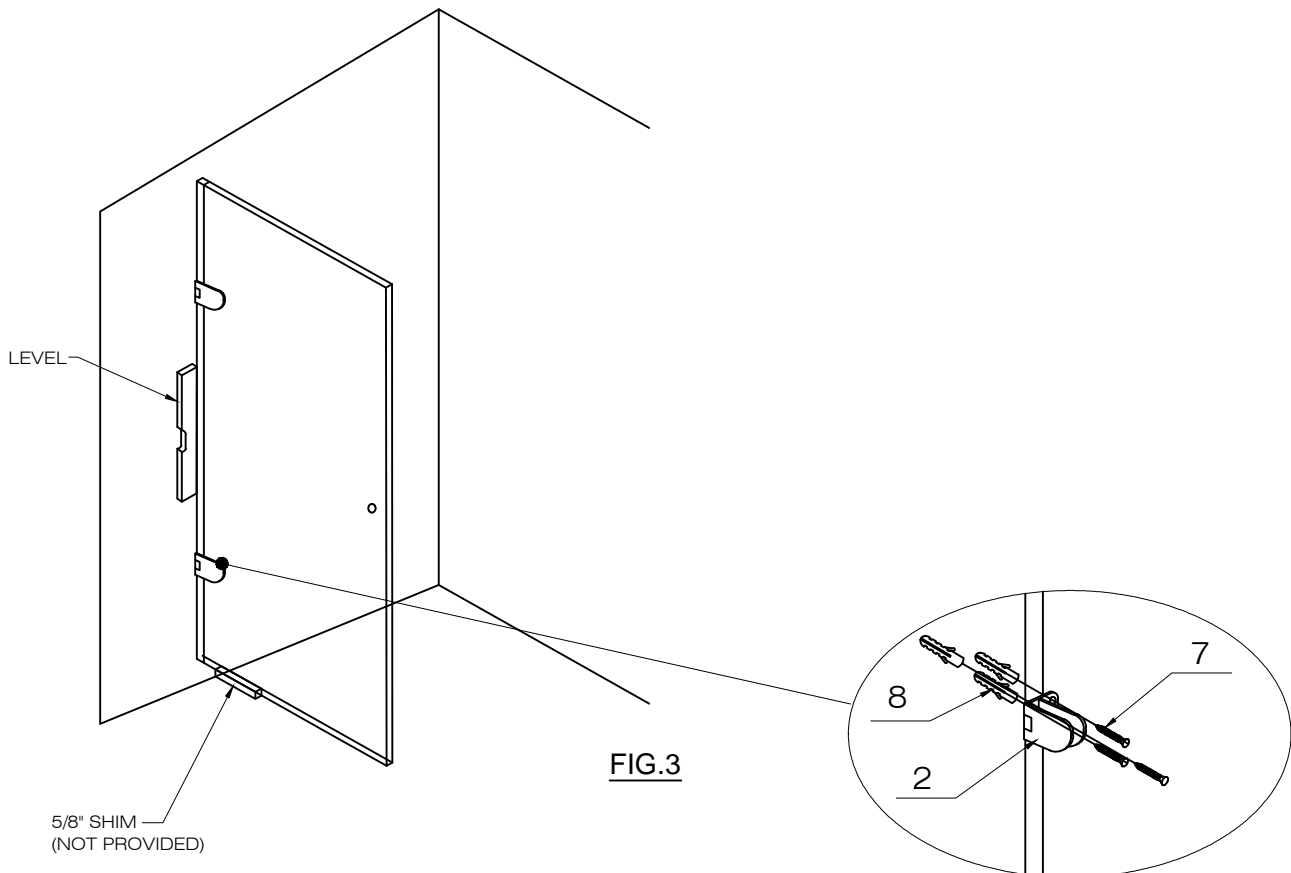
**FIG.2**

## C. INSTALLING THE DOOR

### ⚠ WARNING

DOOR PANEL INSTALLATION REQUIRES TWO OR MORE PEOPLE TO ASSIST

1. Place the door on the shims raising the door up 5/8" to accommodate the bottom door seal strip. [SEE FIG.3]
2. Align the door correctly using a level. [SEE FIG 3]
3. Hold the door in the open position and mark three (3) holes on the wall for the mounting screws for each hinge. [SEE FIG.3A]
4. Remove the door and drill holes into the wall where marked. Place plastic anchors (#8) inside the holes. ⚠ Not necessary if installing into studs. Studs are the preferred means of installation, anchors can pull out of the wall causing property damage and bodily harm.
5. Replace the door (#1) back on the shim and place it in the open position. Screw the door securely to the wall with 1 5/8" screws (#7). [SEE FIG.3A]





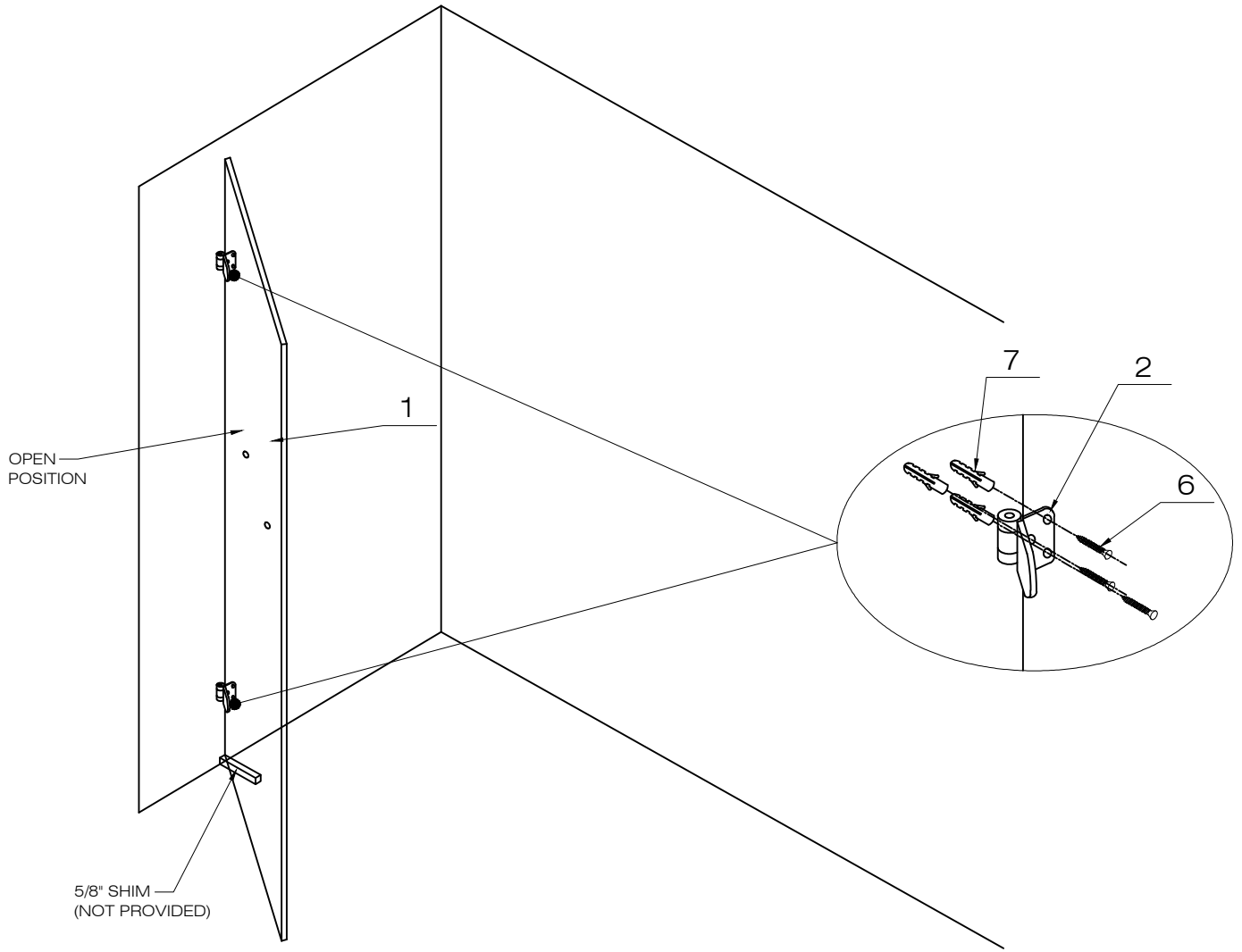
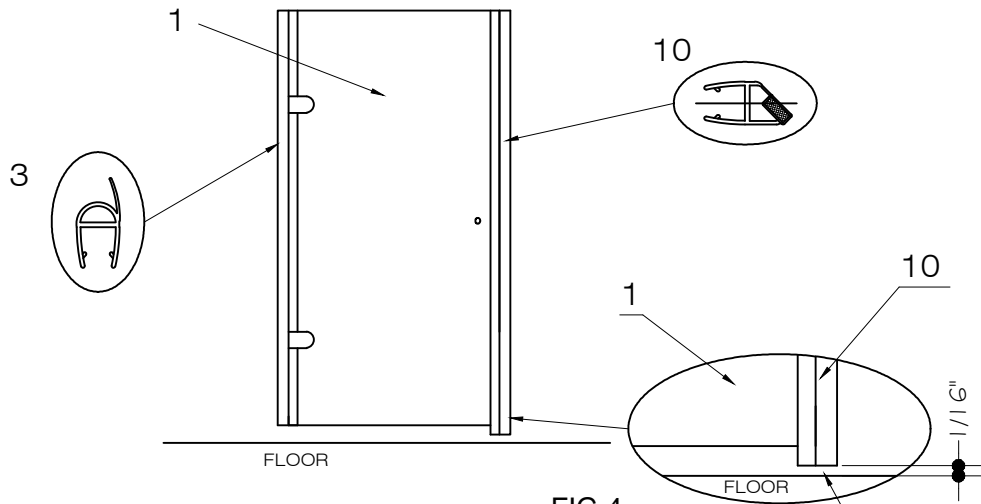


FIG.3A

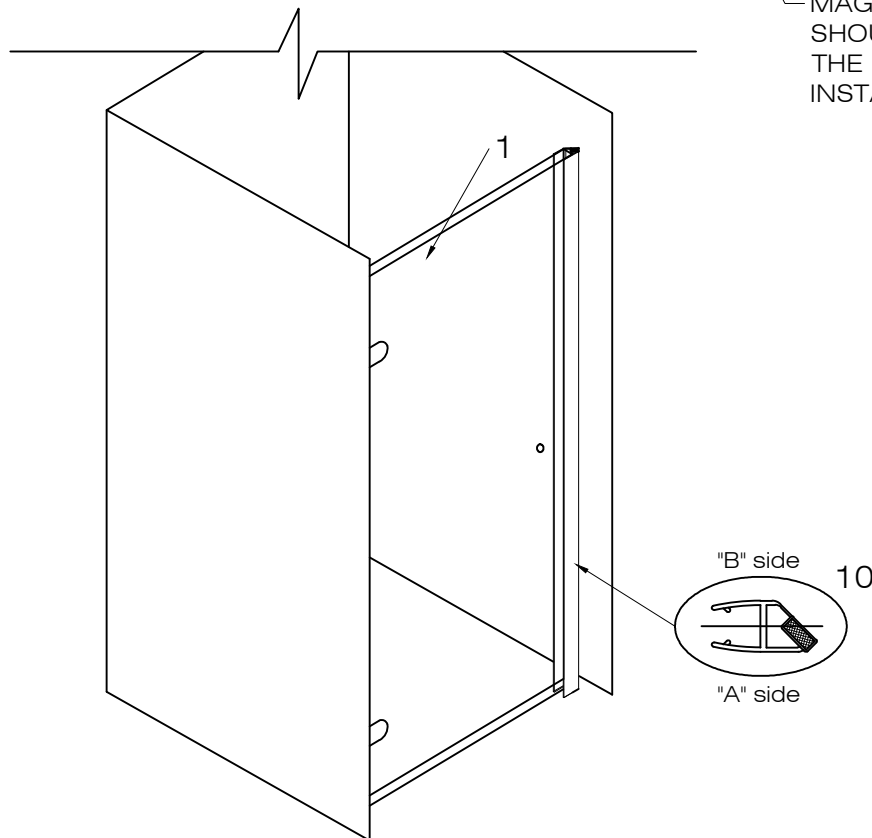
### D. INSTALLING THE MAGNETIC SIDE SEAL STRIP

1. Clean all glass panel edges receiving seal strips with rubbing alcohol.
2. Install the seal strip (#10) according to seal strip diagram. The seal strip should rest 1/16" off of the floor. [SEE FIG.4] Be aware that the door magnetic seal strip (#10) should have the "A" side facing out. [SEE FIG.5]

NOTE: If the seal strips are not flat, use a hair dryer to apply minimal heat and press the seal strip back into position.



MAGNETIC SEAL STRIP SHOULD SIT 1/16" OFF OF THE FLOOR AT THE FINAL INSTALLATION



## E. VERTICAL TRACK INSTALLATION

1. Install the door magnetic seal strip (#10) to the vertical track (#6) leaving a 1/16" gap at the bottom. [SEE FIG.6] The vertical track (#6) and the door magnetic seal strip (#10) are the same length.
2. Attach the door magnetic seal strips (#10) to each other and then close the door, making sure the door is on a level plain, keeping the walls and opening at a perfect 90° angle. [SEE FIG.7]
3. Mark the wall on both sides of the vertical track (#6). The vertical track should be installed with the bottom resting on the floor. [SEE FIG.8]
4. Remove the magnetic seal strip (#10) from the vertical track (#6).
5. Hold the vertical track up to the wall where you previously marked and mark the wall through the holes in the vertical track (#6) for installation.
6. Remove the vertical track, pre-drill and sink plastic anchors (#11) into the wall. [SEE FIG.8] This step is not necessary if installing into studs (the preferred method of installation).
7. Drill the vertical track (#6) to the wall with the 1 1/4" phillips screws (#9), making sure it is level and true. [SEE FIG.8]
8. Install the magnetic seal strip (#10) back onto the vertical track (#6), making sure that it complements the door magnetic seal strip. [SEE FIG.7]

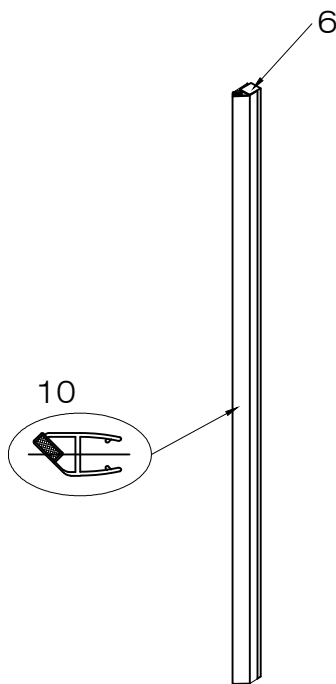


FIG.6

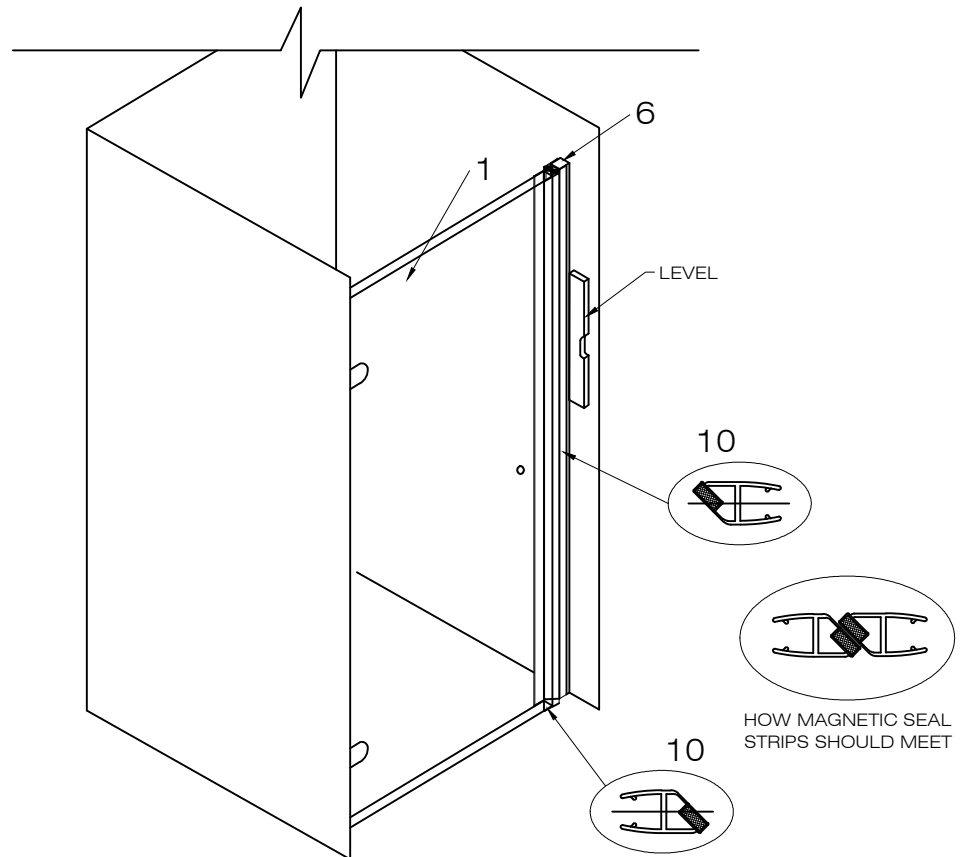
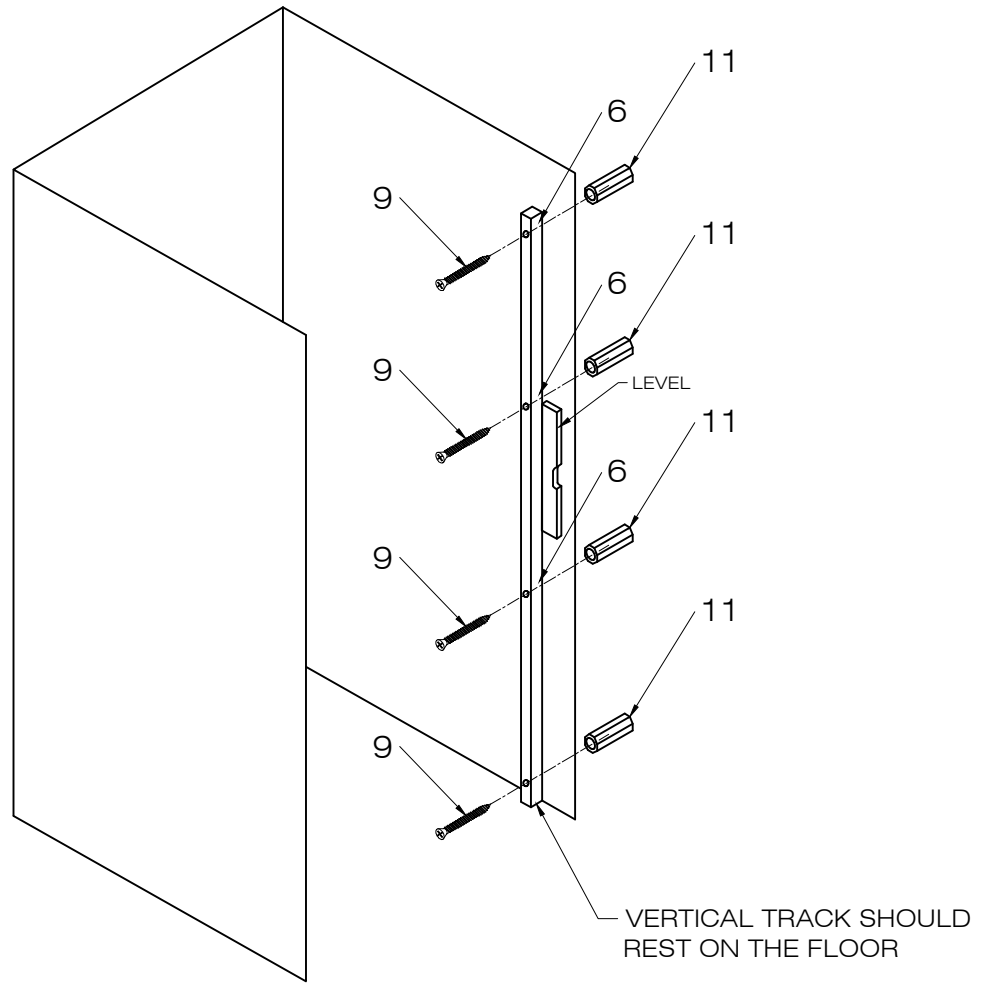


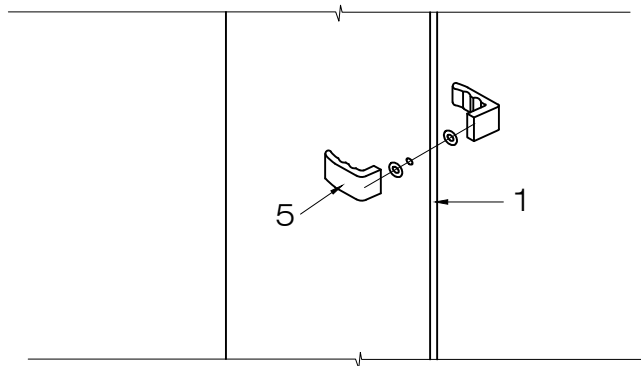
FIG.7



**FIG.8**

**F. HANDLE INSTALLATION**

1. Assemble the door handles (#5) to the door (#1). [SEE FIG.9]



**FIG.9**

### G. INSTALLING THE DOOR BOTTOM SEAL STRIP

1. Clean the door glass panel (#1) edges where the door bottom seal strip (#4) is to be installed with rubbing alcohol.
2. The door bottom seal strip (#4) will have to be fit and cut to the proper size.
3. Verify that the lip of the seal strip faces toward the inside of the shower cabin before seal strip installation.
4. Install the seal strip according to the diagram. [SEE FIG.10]

NOTE: If the seal strips are not flat, use a hair dryer to apply minimal heat and press the seal strip back into position.

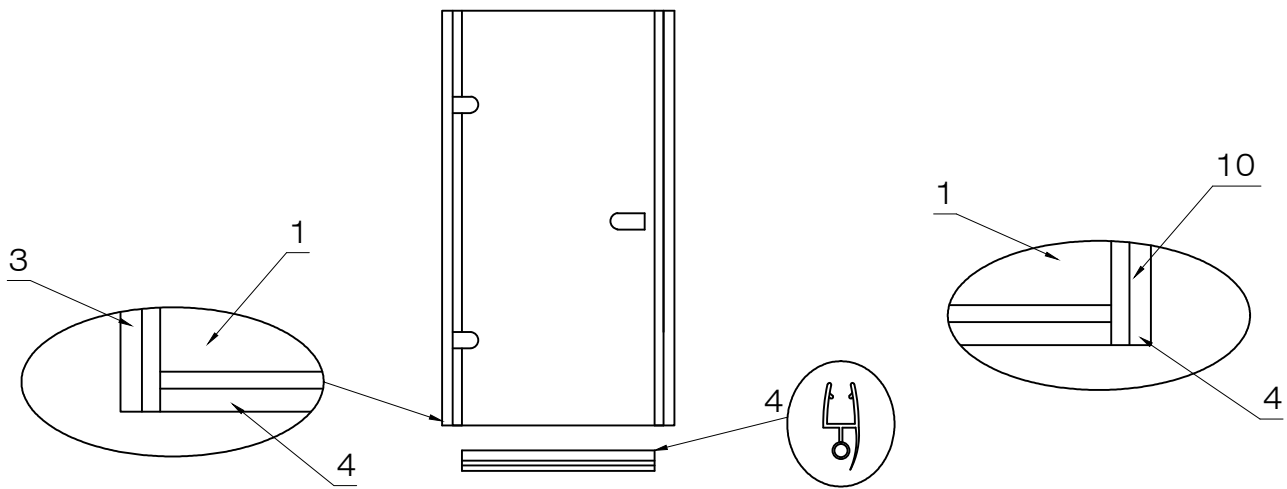


FIG.10

#### **IMPORTANT**

- WAIT 24 HOURS BEFORE USING SHOWER
- DO NOT ALLOW WATER TO DIRECTLY HIT DOOR SEAL STRIPS

## CLEANING INSTRUCTIONS FOR THE SHOWER CABIN AND DOOR PANEL

- A. Use mild liquid household cleaners to keep metal surface bright and clean. Rinse well and dry with a clean cloth.
- B. Remove dust with a soft, damp cloth.
- C. Use rubbing alcohol to clean and remove grease, oil, paint, and ink.
- D. Accidental scratches or stains will rarely show. If they do show, they can be easily removed with a liquid automobile polish.
- E. Highly recommend using a squeegee to remove excess water from the glass panel after every use.

### **IMPORTANT**

- Do NOT use abrasive cleaners, scrapers, metal brushes, or any items/products that would scratch and/or dull surface.
- Do NOT allow surface to come into contact with acetone (nail polish remover), dry cleaning solution, lacquer thinner, gasoline, or any other similar product.



VIGO INDUSTRIES, LLC ("VIGO")  
SHOWER ENCLOSURE LIMITED LIFETIME WARRANTY

EFFECTIVE JANUARY 1, 2010

VIGO offers the following limited warranty on each of its Shower Enclosure products\* (the "Product") and the components thereof. This warranty extends only to the original owner or end-user for personal household use. For commercial uses, additional limitations apply.

VIGO warrants the structural glass component of the Product to be free from defects in workmanship and materials under normal use and service for the period commencing from the initial date of purchase by the owner or end-user, contractor, or builder, from VIGO or an authorized VIGO dealer, through the lifetime of the original owner or end-user.

VIGO warrants the hardware components of the Product to be free from defects in workmanship and materials under normal use and service for a period of two (2) years from the initial date of purchase by the owner or end-user, contractor, or builder, from VIGO or an authorized VIGO dealer.

VIGO warrants the seal strip components of the Product to be free from defects in workmanship and materials under normal use and service for a period of one (1) year from the initial date of purchase by the owner or end-user, contractor, or builder, from VIGO or an authorized VIGO dealer.

Subject to the Warranty Service provision below, any product reported to the authorized dealer or to VIGO as being defective within the warranty period will be repaired or replaced (with a product of equal value) at the option of VIGO. This warranty extends to the original owner or end-user and is not transferable to a subsequent owner.

Neither the distributor, authorized VIGO dealer, nor any other person has been authorized to make any affirmation, representation, or warranty other than those contained in this warranty. Any affirmation, representation, or warranty other than those contained in this warranty shall not be enforceable against VIGO or any other person.

VIGO reserves the right to modify this warranty at any time, it being understood that such modifications will not alter the warranty conditions applicable at the time of sale of the products in question.

#### Limitations

This warranty shall not apply to instances of incorrect operating procedures, breakages, or damages caused by fault through improper installation, carelessness, abuse, misuse, misapplication, improper maintenance, or alteration of the Product, as well as chemical or natural corrosion, accident, fire, flood, an act of God, or any other casualty. Avoid abrasive cleaners, steel wools, and harsh chemicals as these will scratch, damage, and / or dull the product and / or finish and void this warranty. The owner/end-user of the Product covered by the present warranty is entirely responsible for its proper installation and any applicable plumbing or electrical wiring. VIGO neither installs nor supervises the installation nor hires a contractor for this purpose; consequently, VIGO cannot be held responsible for any default, breakage, or damages caused thereby or resulting thereof, either directly or indirectly.

The owner/end-user must provide access to the components of the Product as described in the installation guide so that VIGO can execute the warranty specified herein. If such access is not available, all expenses to provide said access will be the responsibility of the owner/end-user.

This warranty does not apply to Products that have not been installed or operated in accordance with instructions supplied by VIGO and all applicable rules, regulations, and legislation pertaining to such installations.

This warranty does not apply unless the VIGO Product is installed by fully insured licensed professionals. VIGO strongly recommends that such licensed professionals have experience in the installation of bathroom and kitchen products. Installation of certain products, including, without limitation, glass products (i.e., shower doors and glass sinks) by an inexperienced person may result in glass breakage and, consequently, cause personal injury or death.

VIGO is not liable for personal injuries or deaths to any persons or for any direct, special, incidental, or consequential damage, loss of time, loss of profits, inconvenience, incidental expenses, labor or material charges, or any other costs resulting from the use of the product or equipment or pertaining to the application of the present warranty, or resulting from the removal or replacement of any product or element or part covered by this warranty.

EXCEPT AS OTHERWISE PROVIDED ABOVE, VIGO MAKES NO WARRANTIES, EXPRESSED OR IMPLIED, INCLUDING WARRANTIES OF MERCHANTABILITY AND FITNESS FOR A PARTICULAR PURPOSE OR COMPLIANCE WITH ANY CODE.

In any case, VIGO cannot be held liable for any amount over and above the purchase price paid for the Product by the owner/end-user, contractor, or builder.

#### Commercial Limitations

In addition to the above conditions and limitations, the warranty period for products installed for commercial applications or used in commercial ventures is one (1) year from the initial date of purchase by the owner/end-user, contractor, or builder from an authorized dealer. VIGO is not responsible for loss of use or profit under any circumstances. If the product is used as a display, the warranty period begins when the product is placed on display. This warranty gives the owner/end-user specific legal rights. The owner/end-user may also have other rights which can vary from one state or province to another.

#### Warranty Service

In order to obtain service provided under this warranty during regular business hours, contact the dealer or distributor who sold the unit, or contact VIGO directly. VIGO will provide the warranty service described above when the following conditions have been met: the failure is of the nature or type covered by the warranty; the user has informed an authorized VIGO Agent or VIGO's warranty service department representative of the nature of the problem during the warranty period; conclusive evidence (e.g., proof of purchase or installation) is provided to the foregoing by the user proving that the failure occurred or was discovered within the warranty period; an authorized independent service person or company representative has been permitted to inspect the product during regular business hours within a reasonable time after the problem was reported by the user. VIGO's warranty obligation shall be discharged upon tender of replacement or repair. The customer's refusal to accept the tender terminates VIGO's warranty obligations.

\*Certain models are pending approval.

Certification may be ended by VIGO or certification agencies without notice.