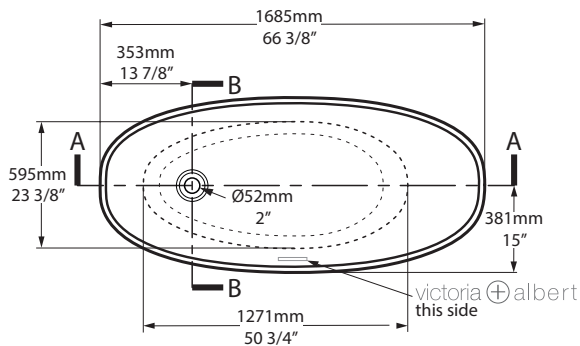
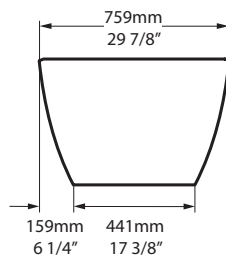


Mozzano 2 Freestanding Bathtub

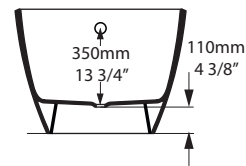
MO2-N-SW-NO / MO2-N-SM-OF / MO2M-N-SW-NO / MO2M-N-SM-OF



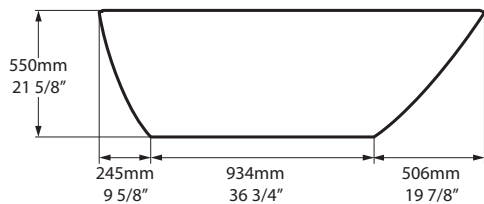
Top View



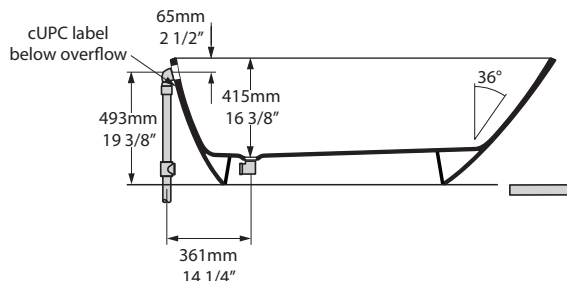
Front View



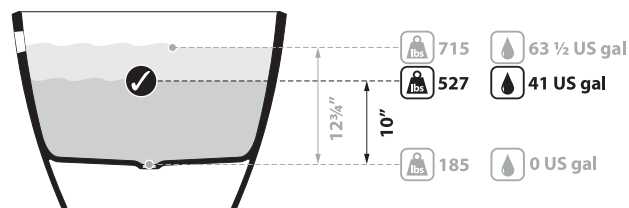
Section BB



Side View



Section AA



BV-2.1_0051(A)

Recommended drains: K-36E-xx / K-70-xx / K-50-xx

Drain Void: Features a void space underneath the bathtub for drain plumbing.