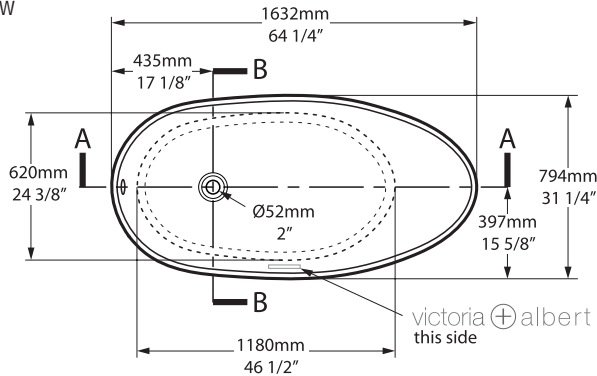


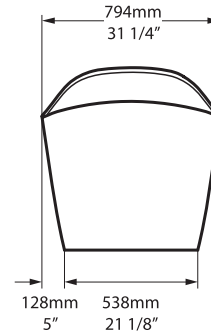
# Amalfi Freestanding Bathtub

AML-N-SW-NO and AML-N-SW-OF / AMLM-N-SM-NO and AMLM-N-SM-OF

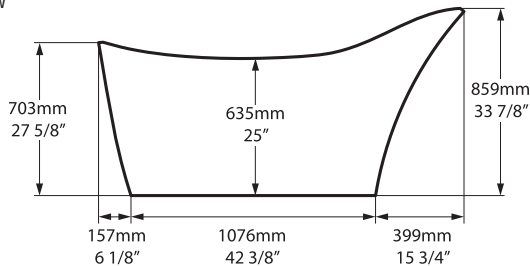
Top view



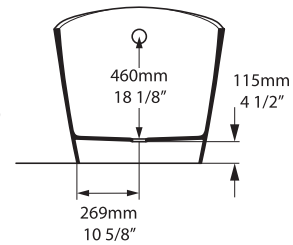
Front view



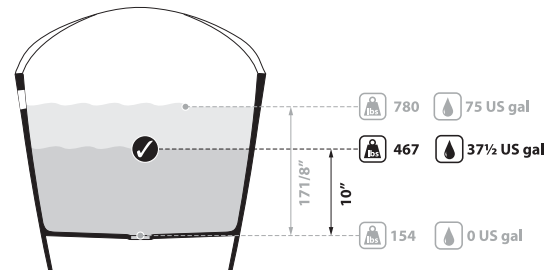
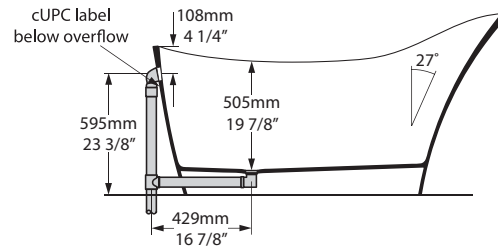
Side view



Section BB



Section AA



BV-2.1\_0027

Recommended drains: K-40E-xx / K-70-xx / K-50-xx

Drain Void: Features a void space underneath the bathtub for drain plumbing.

**US Customers**

U.S.A.  
HOUSEOFROHL.COM  
1-800-777-9762

**Canadian Customers**

QUEBEC / MARITIMES / WESTERN CANADA  
QUÉBEC / MARITIMES / QUEST CANADIEN  
QUEBEC / MARITIMOS / CANADA OCCIDENTAL  
HOUSEOFROHL.CA  
1-866-473-8442

ONTARIO  
HOUSEOFROHL.CA  
1-800-287-5354