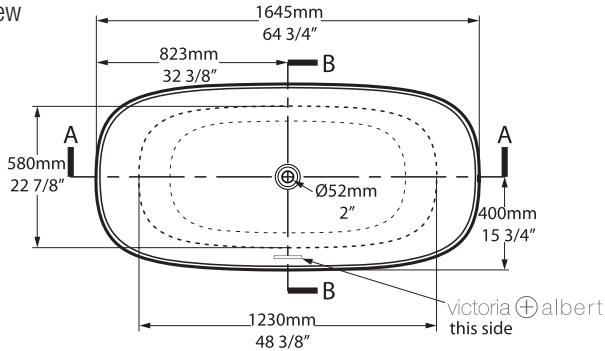


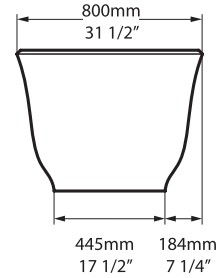
# Amiata Freestanding Bathtub

AMT-N-SW-NO / AMT-N-SW-OF / AMTM-N-SM-NO / AMTM-N-SM-OF

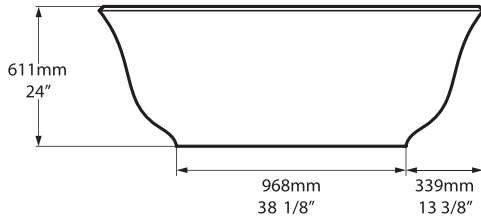
Top view



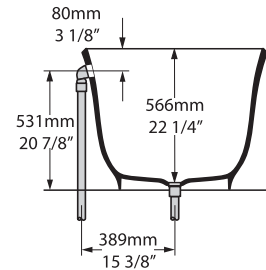
Front view



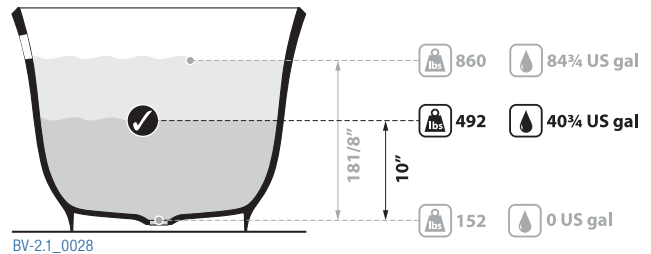
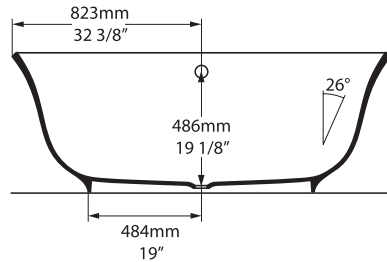
Side view



Section BB



Section AA



Recommended drains: K-40E-xx / K-70-xx / K-51-xx

**US Customers**

U.S.A.  
HOUSEOFROHL.COM  
1-800-777-9762

**Canadian Customers**

QUEBEC / MARITIMES / WESTERN CANADA  
QUÉBEC / MARITIMES / QWEST CANADIEN  
QUEBEC / MARITIMOS / CANADA OCCIDENTAL  
HOUSEOFROHL.CA  
1-866-473-8442

ONTARIO  
HOUSEOFROHL.CA  
1-800-287-5354