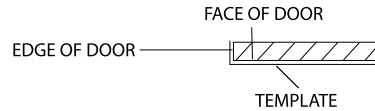
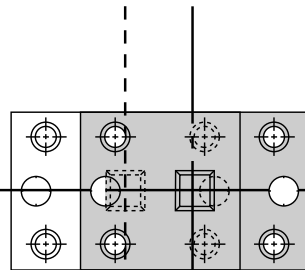


DUMMY INSTALLATION AND DOOR PREPARATION TEMPLATE

(2) FOLD TEMPLATE ALONG DOTTED LINE, AND POSITION FOLD ON THE EDGE OF THE DOOR. TAPE TEMPLATE TO FACE OF DOOR.



FOLD ALONG DOTTED LINE - EDGE OF DOOR

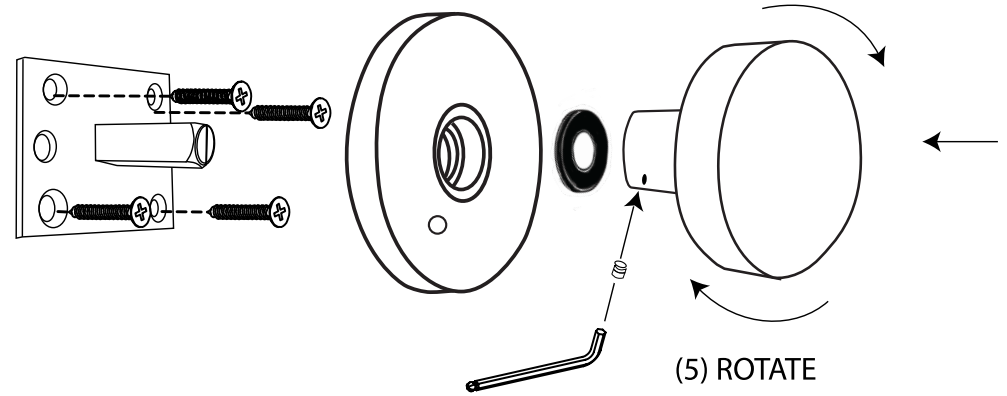


(3) BEFORE DRILLING VERIFY THE BACKSET OF YOUR EXISTING DOORS IN YOUR HOUSE. DRILL PILOT HOLES USING A 7/64" DIAMETER BIT.

(1) MEASURE FROM THE FLOOR TO THE CENTER OF EXISTING LOCKS, AND USE THIS DISTANCE AS THE CENTER OF THE DUMMY MOUNT. IF THERE ARE NO EXISTING LOCKS, POSITION THE DUMMY MOUNT 36" TO 38" FROM THE FLOOR.

FLOOR

(4) INSERT FOUR WOOD SCREWS, SLIDE ROSETTE OVER MOUNT, AND SCREW-ON KNOB.



(5) ROTATE KNOB/LEVER SO HEX SCREW IS ON THE BOTTOM. TIGHTEN WITH INCLUDED WRENCH.