



**Read and Save These Instructions**  
**All Hoods Must Be Installed By A Qualified Installer**

# **INSTALLATION INSTRUCTIONS**

## **ZTH WALL MOUNT HOOD**

**Read All Instructions Thoroughly Before Beginning Installation**

**WARNING - TO REDUCE THE RISK OF FIRE, ELECTRIC SHOCK, OR INJURY TO PERSONS, OBSERVE THE FOLLOWING:**

- A. Installation work and electrical wiring must be done by qualified person(s) in accordance with all applicable codes and standards, including fire-rated construction. Switch power off at service panel and lock the service disconnecting means to prevent power from being switched on accidentally during installation.**
- B. When cutting or drilling into wall or ceiling, do not damage electrical wiring and other hidden utilities.**
- C. Ducted fans must always be vented to the outdoors.**
- D. Sufficient air is needed for proper combustion and exhausting of gases through the flue (chimney) of fuel burning equipment to prevent back drafting. Follow the heating equipment manufacturer's guideline and safety standards such as those published by the National Fire Protection Association (NFPA), and the American Society for Heating, Refrigeration and Air Conditioning Engineers (ASHRAE), and local code authorities.**
- E. ASHRAE residential ventilation standard 62.2 limits exhaust fans (total) to a maximum of 15 CFM per 100 square feet of occupiable space, unless a back drafting test is performed or make-up air is provided. Consult a local HVAC engineer for make-up air evaluation.**

**WARNING - TO REDUCE THE RISK OF FIRE, USE ONLY METAL DUCTWORK**



# Vent-A-Hood®

## Ducting Do's and Don'ts

### General Requirements

- Observe local codes regarding special duct requirements and placement of duct against combustibles.
- Using Vent-A-Hood transitions (back page) will ensure proper efficiency.
- Using Vent-A-Hood roof jacks or wall louvers (back page) will ensure proper efficiency.
- Where possible, seal joints with duct tape.
- The hood must be ducted to the outdoors without restrictions.

### Blower Requirements

- The single blower unit (B100) requires 6" round duct or equivalent (28 square inches), and the dual blower unit (B200) requires 8" round duct or equivalent (50 square inches).

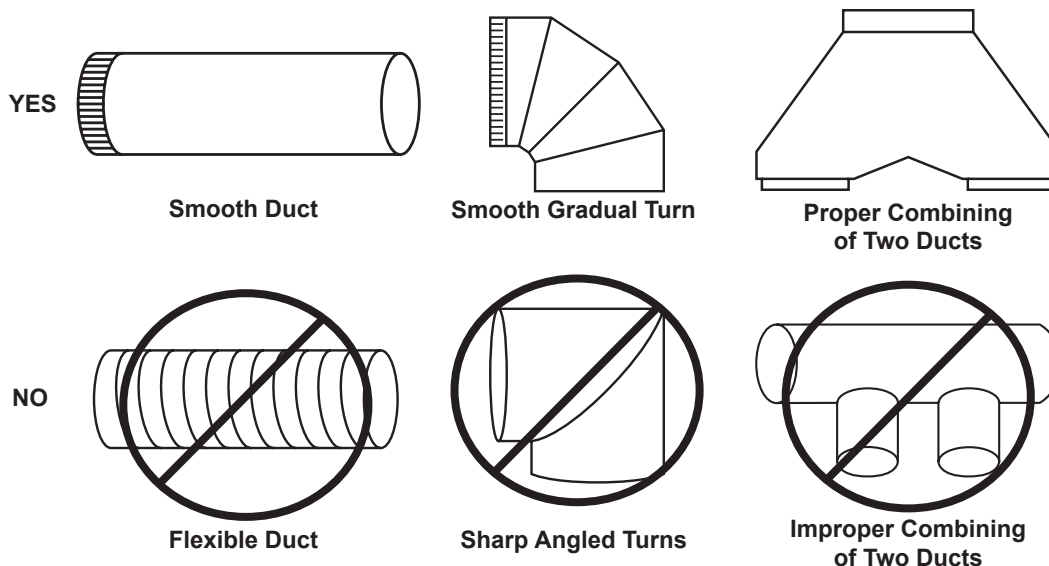
| Blower                        | Combined Duct Dize      | Sq. Inch Area | Vent-A-Hood Transition |
|-------------------------------|-------------------------|---------------|------------------------|
| Single (B100)                 | 6" round or equivalent  | 28 sq. in.    | N/A                    |
| Dual (B200)                   | 8" round or equivalent  | 50 sq. in.    | N/A                    |
| Single and Dual (B100 & B200) | 10" round or equivalent | 79 sq. in.    | VP562 (Optional)       |

### Ducting Requirements

- NEVER reduce the duct size.
- When combining ducts together, the square inch area must reflect the total square inch area of the ducts being combined.
- Do not use flexible or corrugated duct. This type of duct will restrict airflow and reduce performance.
- Only use smooth, galvanized, metal duct.
- Make the duct run as short and as straight as possible with as few turns as possible.
- Avoid sharp-angled turns. Instead, use smooth, gradual turns such as adjustable elbows or 45 degree angled turns.
- For duct runs over 20 feet, increase the duct diameter by one inch for every ten feet of duct.
- A 90 degree elbow is equal to 5 feet of duct.

### Termination Requirements

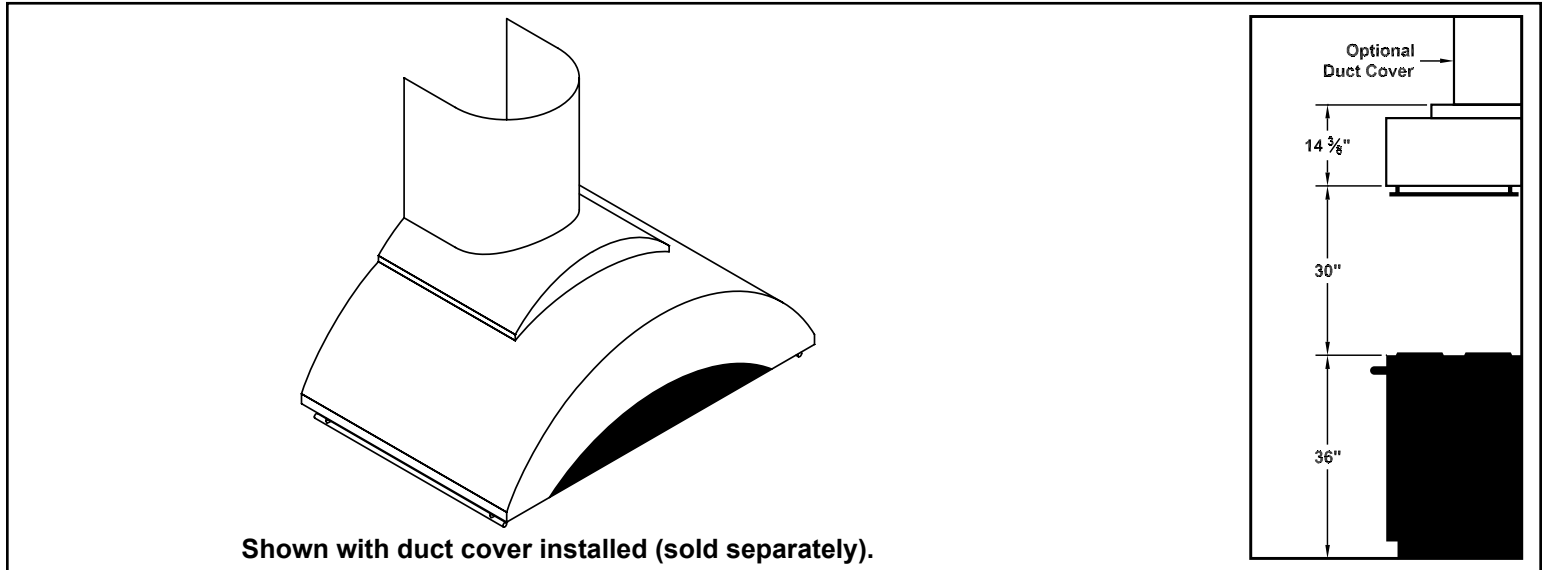
- Airflow must not be restricted at the end of the duct run.
- A wall louver or roof jack is required for each duct run.
- Every wall louver or roof jack must include a gravity damper to prevent back drafts.
- Do not use screen wire or spring-loaded doors on wall louvers or roof jacks.
- Do not terminate venting into an attic or chimney.



# Vent-A-Hood®

## Installation Details

- 1) Read all instructions thoroughly before beginning installation.
- 2) When installing a ZTH wall mount hood, it is recommended that the bottom edge of the hood be located no more than 30" above the cooking surface for optimum performance.



- 3) IF THE HOOD IS TO BE "BACK VENTED", PROCEED DIRECTLY TO STEP 4.

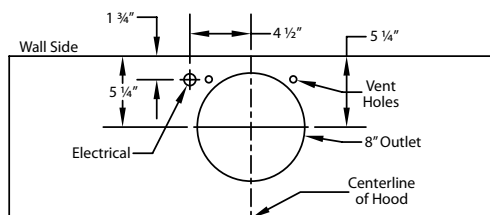
Install the duct(s) from the outside of the home to the ceiling over the exhaust outlet(s) of the hood. The end of the duct should extend 1" below the ceiling. Consult the connection diagrams (below) for further details on exhaust outlet placement.

Use duct tape to seal all joints. A complete listing of available Vent-A-Hood ducting materials is provided on the back page of this instruction sheet.

Transition heights are as follows:

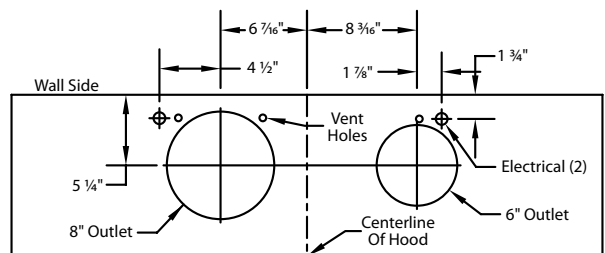
- |  |   |
|--|---|
| <b>Dual Blower (B200):</b>                       | 8" round duct will connect directly to the exhaust outlet of the hood.  |
| <b>Single and Dual Blower (B100 &amp; B200):</b> | 6" round duct will connect directly to the exhaust outlet of the hood;<br>8" round duct will connect directly to the exhaust outlet of the hood.<br>Optional 10" round combination transition (VP562, sold separately) is 17 1/2" tall. |

### Connection Diagram (36" - 48" Widths)



**600 CFM B200 Dual Blower  
(Top View)**

### Connection Diagram (54" Width)

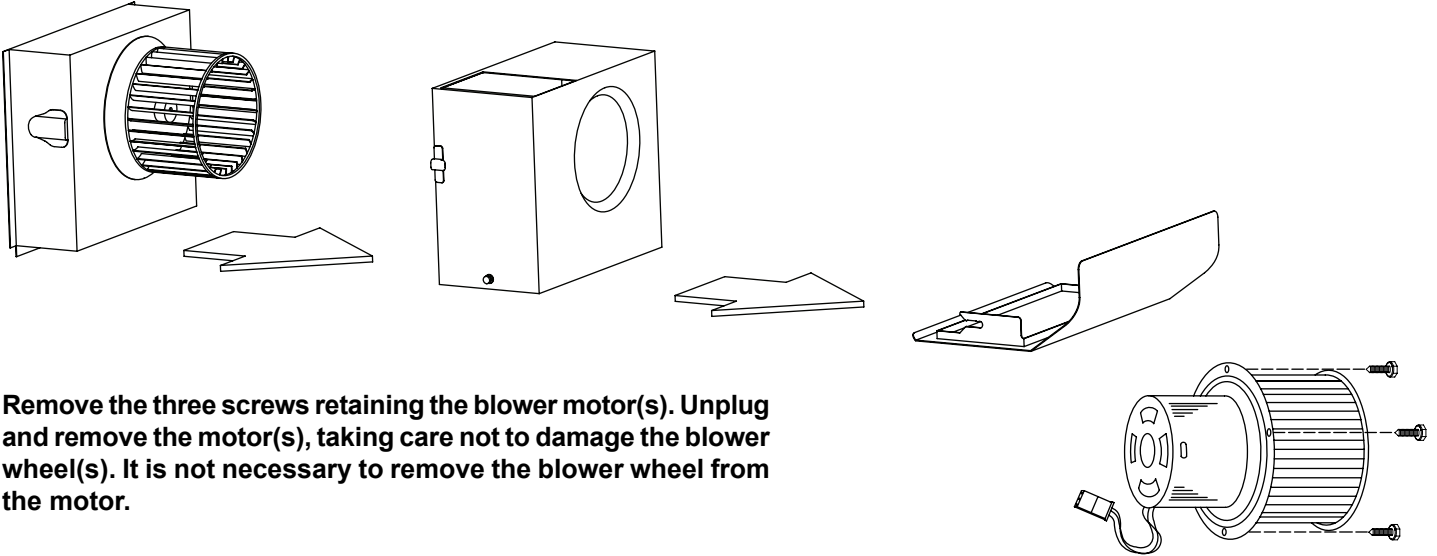


**900 CFM B200 Dual & B100 Single Blower  
(Top View)**

# Vent-A-Hood®

## Installation Details Continued

- 4) Remove the hood from its packaging and place the back of the hood on the floor or countertop in front of the wall where it will hang.
- 5) Remove the shipping tape that is securing the E-Z Clean shield(s) inside the hood. Remove the E-Z Clean shield(s) by lightly pulling it toward the front of the hood. Gently close the back draft damper(s) from the top side of the hood. To remove the blower housing(s), unsnap the suitcase latches (one on each side of the housing). The housing(s) should be pulled forward and gently “tipped” to clear the blower wheel(s) and then out of the hood.



- 6) Remove the three screws retaining the blower motor(s). Unplug and remove the motor(s), taking care not to damage the blower wheel(s). It is not necessary to remove the blower wheel from the motor.

**Warning: Make sure power is off and locked at the service disconnecting means on the service panel during installation.**

- 7) Install an appropriate 1/2” UL listed electrical wire clamp through each motor box electrical opening on top of the hood. Install electrical wiring from the service panel to the hood location for each motor box. Consult the connection diagrams (on previous page) for further details on electrical placement. Extend wire to the hood. Electrical connection(s) will occur before the hood is installed on the wall.

| Model                   | Volts | Amps | Hz | RPM  | CFM SP@0.0” | Equivalent CFM* | CFM SP@0.1” | CFM SP@0.2” | CFM SP@0.3” | Minimum Round Duct Size           | Sones# |
|-------------------------|-------|------|----|------|-------------|-----------------|-------------|-------------|-------------|-----------------------------------|--------|
| B200 Dual               | 115   | 4.0  | 60 | 1550 | 600         | 900             | 531         | 480         | 430         | 8" (50 in. <sup>2</sup> )         | 6.5    |
| B200 Dual & B100 Single | 115   | 6.0  | 60 | 1550 | 900         | 1350            | 804         | 725         | 655         | VP562: 10" (79 in. <sup>2</sup> ) | 6.3    |

\* Because the Magic Lung® blower uses centrifugal filtration rather than conventional baffle or mesh filters, the Magic Lung® blower can handle cooking equipment with higher cubic feet per minute (CFM) requirements and can deliver equivalent CFM much more efficiently than other than other filtration systems. When comparing the Magic Lung® with other blower units made by other manufacturers, use the "Equivalent CFM".  
 # Ratings in accordance with the Standard Test Code by the Energy Systems Laboratory of the Texas Engineering Experiment Station.

- 8) Remove the duct cover from its packaging. Remove and save the screws from the base of the duct cover. Place the duct cover into the top of the hood and secure it temporarily to the hood with the screws previously removed. Lift the hood and duct cover assembly and hold it in place on the wall in the location where it will be installed. Lightly mark the wall with a short, horizontal mark along the bottom edge of the hood.
- 9) Remove the hood and duct cover assembly from the wall. On the back side of the hood, measure the distance between the bottom edge of the hood and the top edge of the wood mounting strip. Measure this distance above the horizontal line made in Step 8 and lightly mark the wall with a level, horizontal line. Measure where the center (left to right) of the hood will be and mark the upper horizontal line on the wall with a short, vertical centerline.
- 10) Remove the screws inside the top of the back of the hood that retain the wood strip that is recessed in the mounting channel. Note: Some retaining screws may be located behind the blowers. Remove the wood mounting strip from the back of the hood and place the top edge of the strip on the upper, level, horizontal line on the wall. Referencing the vertical centerline from Step 9, place the mounting strip so it is centered (left to right) on the wall in the space where the hood will be located. Drill pilot holes in the strip to prevent splitting. Using proper hardware, attach the mounting strip to at least two wall studs.



## Installation Details Continued

### 11) FOR BACK VENTING APPLICATIONS ONLY. IF NOT BACK VENTING, PROCEED DIRECTLY TO STEP 12.

**Note:** Wall studs may interfere with back venting installations. Additional framing may be required. It is necessary to cut a duct access hole in the wall prior to installing the hood.

To accomplish this, first remove and set aside the duct cover that was previously installed in Step 8. Hold the hood on the mounting strip by aligning the channel at the top of the back of the hood over the wood mounting strip on the wall. Place the appropriate elbow(s) on top of the hood in line with the hood exhaust collar(s). On the wall, trace around the elbow(s). Remove the hood and elbow(s) from the wall. Cut around the outside of the traced line(s), avoiding wall studs. Install the duct from the outside of the home to the opening in the wall. Use duct tape to seal joints. Place the duct cover back into the top of the hood and reattach to the hood.

### 12) Hang the hood on the mounting strip by aligning the channel at the top of the back of the hood over the wood mounting strip on the wall. While holding the hood in place, mark locations on the mounting strip through the two mounting holes in the channel at the top of the hood. Some mounting holes may be located behind the blowers. Remove hood and drill 3/32" pilot holes at the center of marks in the wood strip to prevent splitting.

### 13) FOR BACK VENTING APPLICATIONS ONLY. IF NOT BACK VENTING, PROCEED DIRECTLY TO STEP 14.

Place the appropriate elbow(s) on the top of the hood. Elbow(s) should be placed with the non-crimped end(s) on the inside the collar(s) of the exhaust outlet(s). Use duct tape to seal joint(s).

Insert the electrical wire from the service panel into the electrical wire clamp on each motor box. Tighten the wire clamp(s).

While securing the slack in the wire(s), lift the hood up to the wall and hang the hood on the mounting strip, taking care to properly align the duct connection(s) between the elbow(s) on the hood and the duct(s) in the wall. Secure the hood to the mounting strip by installing the screws (previously removed in Step 10) into the pilot holes drilled in Step 12. **SKIP STEPS 14 AND 15. PROCEED DIRECTLY TO STEP 16.**

### 14) If applicable, install transition inside the exhaust collars and seal with duct tape. Insert the electrical wire(s) from the service panel into the electrical wire clamp(s) on each motor box. Tighten the wire clamp(s). Cut a piece of duct for each outlet of sufficient length to meet the duct(s) in the ceiling allowing room for the transition (if applicable). If a transition is used, cut the duct to reach the transition outlet plus 1". This will allow the transition to engage 1" inside of the duct. See Page 3 for transition heights. One end of the duct must be crimped to fit inside the duct in the ceiling. Insert the non-crimped end over the transition or into the exhaust collar(s) on top of the hood and seal with duct tape.

### 15) While securing the slack in the wire(s), lift the hood up to the wall and hang the hood on the mounting strip, taking care to properly align the duct connection(s) between the hood and the duct(s) in the ceiling. Secure the hood to the mounting strip by installing the screws (previously removed in Step 10) into the pilot holes drilled in Step 12.

### 16) From inside the hood, using UL listed wire nuts, attach the "neutral" wire(s) to the white lead(s), the "hot" wire(s) to the black lead(s), and the ground wire(s) to the green lead(s) inside the motor box(es).

**Warning: Do not operate hood without proper ground connection.**

### 17) Plug the motors into the hood and reinstall the blower motors using the three retaining screws that were previously removed in Step 6.

### 18) Replace the blower housing(s) and the blower shield(s). Make sure that the dampers open and close smoothly.

### 19) Refer to the Owner Maintenance Guide Operating Instructions for proper hood operation. Test all blower and light functions to ensure they are operating properly.

# VENTING



# ACCESSORIES

**WALL LOUVER**

| MODEL | DIM      |
|-------|----------|
| VP526 | 6" Round |
| VP527 | 7" Round |
| VP528 | 8" Round |

**WALL LOUVER**

| MODEL | DIM       |
|-------|-----------|
| VP554 | 10" Round |

**WALL LOUVER**

| MODEL | DIM       |
|-------|-----------|
| VP555 | 12" Round |

**RECTANGULAR WALL LOUVER**

| MODEL | DIM          |
|-------|--------------|
| VP538 | 6" x 8 1/2"  |
| VP560 | 3 1/4" x 10" |

**LOW PROFILE ROOF JACK (MAXIMUM 4/12 PITCH)**

| MODEL | DIM      |
|-------|----------|
| VP539 | 6" Round |
| VP540 | 7" Round |
| VP541 | 8" Round |

**LOW PROFILE ROOF JACK (MAXIMUM 4/12 PITCH)**

| MODEL | DIM       |
|-------|-----------|
| VP552 | 10" Round |
| VP553 | 12" Round |

**LOW PROFILE ROOF JACK (MINIMUM 4/12 PITCH)**

| MODEL    | DIM      |
|----------|----------|
| VP539-HP | 6" Round |
| VP540-HP | 7" Round |
| VP541-HP | 8" Round |

**LOW PROFILE ROOF JACK (MINIMUM 4/12 PITCH)**

| MODEL    | DIM       |
|----------|-----------|
| VP552-HP | 10" Round |
| VP553-HP | 12" Round |

**ADJUSTABLE ELBOW**

| MODEL | DIM      |
|-------|----------|
| VP513 | 6" Round |
| VP514 | 7" Round |
| VP515 | 8" Round |

**BACK/SIDE VENT ELBOW**

| MODEL | DIM               |
|-------|-------------------|
| VP561 | 8" to 6" x 8 1/2" |

**3 1/4" x 10" BACK VENT ELBOW**

| MODEL | DIM          |
|-------|--------------|
| VP559 | 3 1/4" x 10" |

**3 1/4" x 10" TO 7" TRANSITION**

| MODEL | DIM                |
|-------|--------------------|
| VP521 | 3 1/4" x 10" to 7" |

**MULTI-BLOWER TRANSITION**

| MODEL | DIM            |
|-------|----------------|
| VP562 | 6" & 8" to 10" |
| VP563 | 8" & 8" to 12" |

**M1 200 STANDARD TRANSITION**

| MODEL | DIM             |
|-------|-----------------|
| VP566 | 21" x 8" to 10" |

**STANDARD ISLAND TRANSITION**

| MODEL | DIM            |
|-------|----------------|
| VP565 | 5" x 16" to 8" |

**CLUSTER BLOWER TRANSITION**

| MODEL | DIM            |
|-------|----------------|
| VP564 | 8" & 8" to 12" |

**OFFSET L & R TRANSITION FOR ISLAND BLOWERS**

| MODEL | DIM       |
|-------|-----------|
| VP542 | Top Left  |
| VP543 | Top Right |

**SIDE VENT TRANSITION L & R FOR ISLAND BLOWERS**

| MODEL | DIM        |
|-------|------------|
| VP544 | Left Side  |
| VP545 | Right Side |

**OFFSET KIT - ROUND**

| MODEL | DIM              |
|-------|------------------|
| VP529 | 6" Rnd to 7" Rnd |

**OFFSET KIT - RECTANGULAR**

| MODEL | DIM                    |
|-------|------------------------|
| VP550 | 6" Rnd to 3 1/4" x 10" |

**"Y" TRANSITION**

| MODEL | DIM            |
|-------|----------------|
| VP517 | 8" & 8" to 12" |
| VP518 | 6" & 8" to 12" |
| VP551 | 6" & 8" to 10" |

**ROUND DUCT PIPE**

| MODEL | DIM      |
|-------|----------|
| VP500 | 6" Round |
| VP501 | 7" Round |
| VP502 | 8" Round |

**3 1/4" RECTANGULAR DUCT PIPE**

| MODEL | DIM          |
|-------|--------------|
| VP504 | 3 1/4" x 10" |
| VP505 | 3 1/4" x 12" |
| VP506 | 3 1/4" x 16" |

**6" RECTANGULAR DUCT PIPE**

| MODEL | DIM         |
|-------|-------------|
| VP507 | 6" x 8 1/2" |