



Read and Save These Instructions
All Hoods Must Be Installed By A Qualified Installer

INSTALLATION INSTRUCTIONS

WALL MOUNT RANGE HOOD WITH

M600 OR M1200 BLOWER

Read All Instructions Thoroughly Before Beginning Installation

WARNING - TO REDUCE THE RISK OF FIRE, ELECTRIC SHOCK, OR INJURY TO PERSONS, OBSERVE THE FOLLOWING:

- A. Installation work and electrical wiring must be done by qualified person(s) in accordance with all applicable codes and standards, including fire-rated construction. Switch power off at service panel and lock the service disconnecting means to prevent power from being switched on accidentally during installation.**
- B. When cutting or drilling into wall or ceiling, do not damage electrical wiring and other hidden utilities.**
- C. Ducted fans must always be vented to the outdoors.**
- D. Sufficient air is needed for proper combustion and exhausting of gases through the flue (chimney) of fuel burning equipment to prevent back drafting. Follow the heating equipment manufacturer's guideline and safety standards such as those published by the National Fire Protection Association (NFPA), and the American Society for Heating, Refrigeration and Air Conditioning Engineers (ASHRAE), and local code authorities.**
- E. ASHRAE residential ventilation standard 62.2 limits exhaust fans (total) to a maximum of 15 CFM per 100 square feet of occupiable space, unless a back drafting test is performed or make-up air is provided. Consult a local HVAC engineer for make-up air evaluation.**

WARNING - TO REDUCE THE RISK OF FIRE, USE ONLY METAL DUCTWORK

Vent-A-Hood®

Ducting Do's and Don'ts

General Requirements

- Observe local codes regarding special duct requirements and placement of duct against combustibles.
- Using Vent-A-Hood transitions (back page) will ensure proper efficiency.
- Using Vent-A-Hood roof jacks or wall louvers (back page) will ensure proper efficiency.
- Where possible, seal joints with duct tape.
- The hood must be ducted to the outdoors without restrictions.

Blower Requirements

- The single blower unit (M600) requires 6" round duct or equivalent (28 square inches), and the dual blower unit (M1200) requires 10" round duct or equivalent (79 square inches).

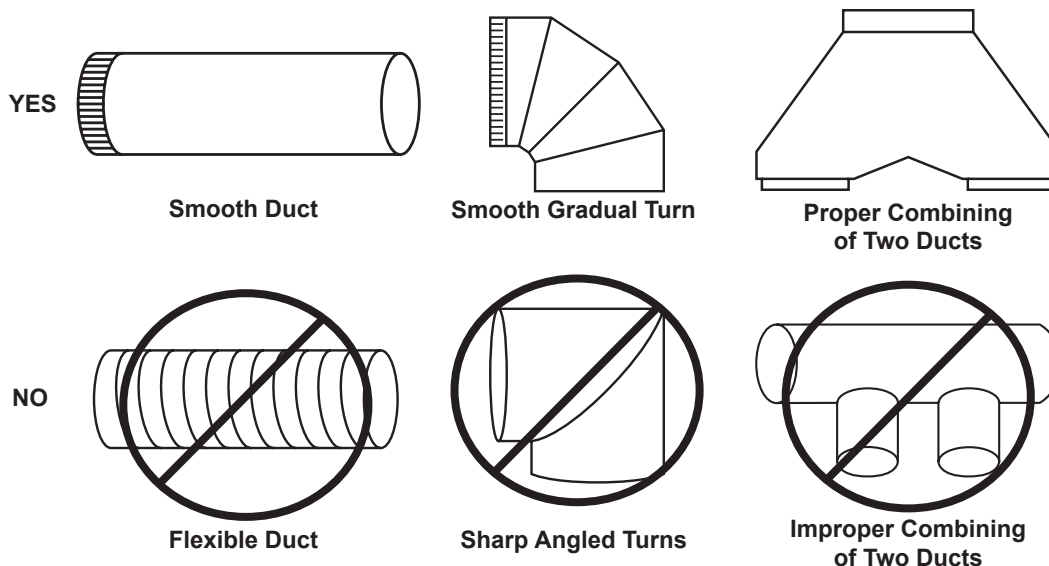
Blower	Combined Duct Dize	Sq. Inch Area	Vent-A-Hood Transition
Single (M600)	6" round or equivalent	28 sq. in.	N/A
Dual (M1200)	10" round or equivalent	79 sq. in.	VP566 (Included)

Ducting Requirements

- **NEVER** reduce the duct size.
- Do not use flexible or corrugated duct. This type of duct will restrict airflow and reduce performance.
- Only use smooth, galvanized, metal duct.
- Make the duct run as short and as straight as possible with as few turns as possible.
- Avoid sharp-angled turns. Instead, use smooth, gradual turns such as adjustable elbows or 45 degree angled turns.
- For duct runs over 20 feet, increase the duct diameter by one inch for every ten feet of duct.
- A 90 degree elbow is equal to 5 feet of duct.

Termination Requirements

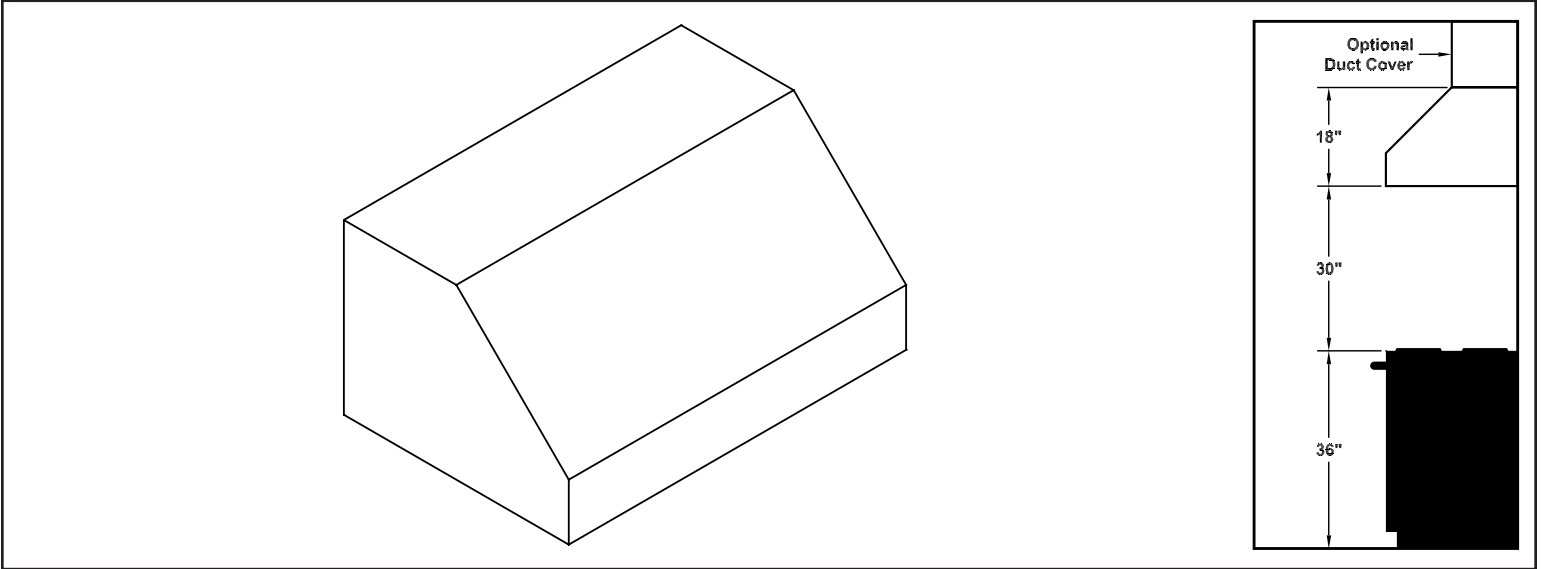
- Airflow must not be restricted at the end of the duct run.
- A wall louver or roof jack is required for each duct run.
- Every wall louver or roof jack must include a gravity damper to prevent back drafts.
- Do not use screen wire or spring-loaded doors on wall louvers or roof jacks.
- Do not terminate venting into an attic or chimney.



Vent-A-Hood®

Installation Details

- 1) Read all instructions thoroughly before beginning installation. Note: These instructions apply to standard hoods only. Custom hoods may require additional specification consideration.
- 2) When installing a wall mount range hood, it is recommended that the bottom edge of the hood be located no more than 30" above the cooking surface for optimum performance.



- 3) Consult the connection diagrams below for further details on exhaust outlet placement.

Install the duct from the outside of the home down to the exhaust outlet on the hood. The end of the duct should extend to the top of the hood for the M600 blower or 1" past the top of the transition for the M1200 blower.

Use duct tape to seal all joints. A complete listing of available Vent-A-Hood ducting materials is included on the back page of this instruction sheet.

Transition heights are as follows:

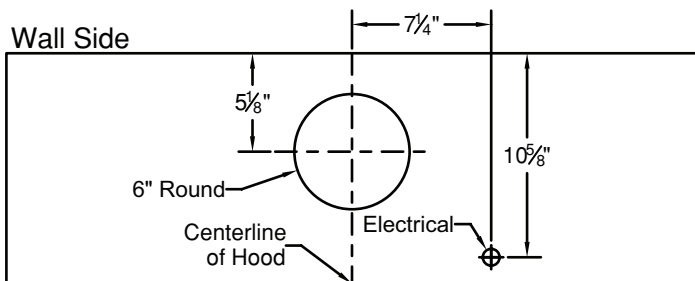
Single Blower (M600):

6" round duct will connect directly to the top of the hood.

Dual Blower (M1200):

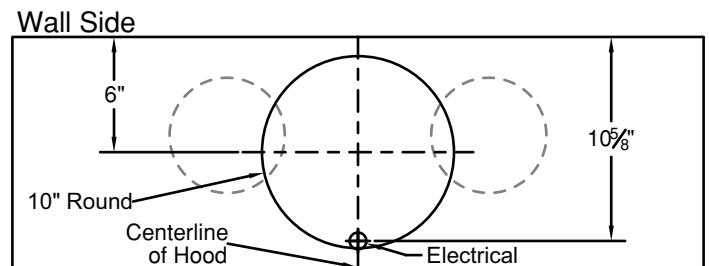
Included 10" round transition (VP566) is 9" tall.

M600 Connection Diagram



**Single Blower
(Top View)**

M1200 Connection Diagram



**Dual Blower
(Top View)**



Installation Details Continued

- 4) Remove the hood from its packaging and place the back of the hood on the floor or countertop in front of the wall where it will hang.
- 5) Remove the cardboard filter retaining clip. Sharply push the front of the filter (knob end) into the hood. Raise the back of the filter from the filter rest and remove the filter through the hood opening. Repeat for each filter.

Warning: Make sure power is off and locked at the service disconnecting means on the service panel during installation.

- 6) Hoods are shipped from the factory with the junction box mounted for the M1200 double blower configuration. Remove the junction box cover. If the M600 single blower will be used, relocate the junction box and ground strap to the offset location. Install an appropriate 1/2" UL listed electrical wire clamp through the electrical opening on top of the hood. Install electrical wiring from the service panel to the hood location. Consult the connection diagrams (on previous page) for further details on electrical placement.

Model	Volts	Amps*	Hz	CFM SP@0.0"	CFM SP@0.1"	CFM SP@0.25"	CFM SP@0.5"	CFM SP@0.75"	Minimum Round Duct Size
M600 Single	115	5.0	60	630	625	615	600	580	6" (28 in. ²)
M1200 Dual	115	10.0	60	1035	1015	1000	955	915	10" (79 in. ²)

* Add 0.5 amp for each halogen light. 2 lights: 30" - 41", 3 lights: 42" - 53", 4 lights: 54"-66"

- 7) For M600 single blower installation, skip to Step 8. Install the 10" transition (VP566, included) to the top of the hood with the screws provided. Seal the base of the transition to the hood with duct tape.
- 8) If using a duct cover, carefully remove the knockouts from the top four corners of the hood. Remove the duct cover from its packaging and remove the mounting screws from the base of the duct cover. Place the duct cover on the top of the hood and secure it through the knockout openings using the mounting screws previously removed.
- 9) Lift the hood (and duct cover assembly) to the location on the wall where it will be installed. Lightly mark the wall with a short, horizontal mark along the bottom edge of the hood. Remove the hood (and duct cover assembly) from the wall.
- 10) On the back side of the hood, measure the distance between the bottom edge of the hood and the top edge of the wood mounting strip. Measure this distance above the horizontal mark made in Step 9 and lightly mark the wall with a level, horizontal line. Measure where the center (left to right) of the hood will be and mark the upper, horizontal line on the wall with a short, vertical centerline.
- 11) Remove the screws inside the top of the back of the hood that retain the wood strip that is recessed in the mounting channel. Remove the wood mounting strip from the back of the hood and place the top edge of the strip on the upper, level, horizontal line on the wall. Referencing the vertical centerline from Step 10, place the mounting strip on the wall so it is centered (left to right) in the space where the hood will be located. Drill pilot holes in the strip to prevent splitting. Using proper hardware, attach the mounting strip to the two outermost available wall studs. For hoods wider than 36", attach to additional wall studs.
- 12) Hang the hood on the mounting strip by first aligning the ducting (M1200 blower only) and then aligning the channel at the top of the back of the hood over the wood mounting strip on the wall. While holding the hood in place, mark locations on the mounting strip through the two mounting holes in the channel at the top of the hood. Remove the hood and drill 3/32" pilot holes at the center of the marks in the wood strip to prevent splitting.
- 13) Insert the electrical wire from the service panel 6" past the electrical wire clamp on the junction box. Tighten the wire clamp. While securing the slack in the wire, lift the hood up to the wall and hang the hood on the mounting strip, taking care to properly align the duct connection (M1200 blower). Secure the hood to the mounting strip by installing the screws (previously removed from the strip in Step 11) into the pilot holes drilled in Step 12.

Vent-A-Hood®

Installation Details Continued

- 14) From inside the hood, using UL listed wire nuts, attach the "neutral" wire to the white lead, the "hot" wire to the black lead, and the ground wire to the green lead inside the junction box. Replace the junction box cover.

Warning: Do not operate hood without proper ground connection.

- 15) Raise the blower plate into the hood first aligning the ducting (M600 blower only) and then aligning the blower mounting studs to the holes in the blower plate. Secure the blower assembly with the nuts provided. Connect the motor harness to the socket next to the power cord on the reverse side of the control housing.
- 16) To install the baffle filter, hold the filter with the knob facing down and toward the front of the hood. Insert the back of the filter into the back filter channel with enough force to compress the filter spring. Raise the front of the filter inline with the front filter channel and slowly release the spring force.

To remove the baffle filter, push the filter knob toward the back filter channel to compress the filter spring. Lower the front of the filter below the front filter channel and slowly release the spring force.

- 17) Refer to the Owner and Maintenance Guide for proper hood operation. Test all blower and light functions to ensure they are operating properly.

VENTING

Vent A Hood®

ACCESSORIES

WALL LOUVER

MODEL	DIM
VP526	6" Round
VP527	7" Round
VP528	8" Round

WALL LOUVER

MODEL	DIM
VP554	10" Round

WALL LOUVER

MODEL	DIM
VP555	12" Round

RECTANGULAR WALL LOUVER

MODEL	DIM
VP538	6" x 8 1/2"
VP560	3 1/4" x 10"

LOW PROFILE ROOF JACK (MAXIMUM 4/12 PITCH)

MODEL	DIM
VP539	6" Round
VP540	7" Round
VP541	8" Round

LOW PROFILE ROOF JACK (MAXIMUM 4/12 PITCH)

MODEL	DIM
VP552	10" Round
VP553	12" Round

LOW PROFILE ROOF JACK (MINIMUM 4/12 PITCH)

MODEL	DIM
VP539-HP	6" Round
VP540-HP	7" Round
VP541-HP	8" Round

LOW PROFILE ROOF JACK (MINIMUM 4/12 PITCH)

MODEL	DIM
VP552-HP	10" Round
VP553-HP	12" Round

ADJUSTABLE ELBOW

MODEL	DIM
VP513	6" Round
VP514	7" Round
VP515	8" Round

BACK/SIDE VENT ELBOW

MODEL	DIM
VP561	8" to 6" x 8 1/2"

3 1/4" x 10" BACK VENT ELBOW

MODEL	DIM
VP559	3 1/4" x 10"

3 1/4" x 10" TO 7" TRANSITION

MODEL	DIM
VP521	3 1/4" x 10" to 7"

MULTI-BLOWER TRANSITION

MODEL	DIM
VP562	6" & 8" to 10"
VP563	8" & 8" to 12"

M1 200 STANDARD TRANSITION

MODEL	DIM
VP566	21" x 8" to 10"

STANDARD ISLAND TRANSITION

MODEL	DIM
VP565	5" x 16" to 8"

CLUSTER BLOWER TRANSITION

MODEL	DIM
VP564	8" & 8" to 12"

OFFSET L & R TRANSITION FOR ISLAND BLOWERS

MODEL	DIM
VP542	Top Left
VP543	Top Right

SIDE VENT TRANSITION L & R FOR ISLAND BLOWERS

MODEL	DIM
VP544	Left Side
VP545	Right Side

OFFSET KIT - ROUND

MODEL	DIM
VP529	6" Rnd to 7" Rnd

OFFSET KIT - RECTANGULAR

MODEL	DIM
VP550	6" Rnd to 3 1/4" x 10"

"Y" TRANSITION

MODEL	DIM
VP517	8" & 8" to 12"
VP518	6" & 8" to 12"
VP551	6" & 8" to 10"

ROUND DUCT PIPE

MODEL	DIM
VP500	6" Round
VP501	7" Round
VP502	8" Round

3 1/4" RECTANGULAR DUCT PIPE

MODEL	DIM
VP504	3 1/4" x 10"
VP505	3 1/4" x 12"
VP506	3 1/4" x 16"

6" RECTANGULAR DUCT PIPE

MODEL	DIM
VP507	6" x 8 1/2"