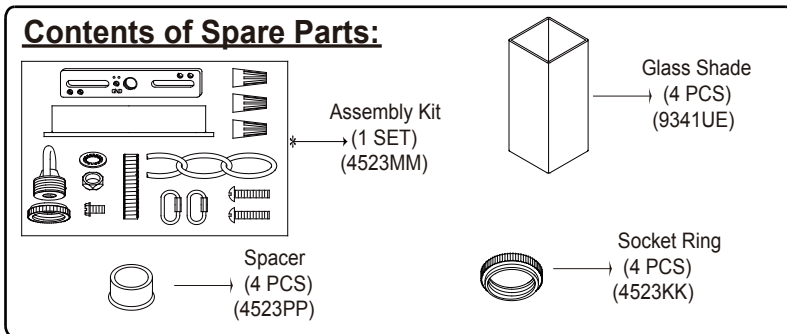


# ASSEMBLY AND INSTALLATION INSTRUCTIONS

H0008

**WARNING: BE SURE TO SHUT OFF POWER AT THE MAIN FUSE OR CIRCUIT BREAKER BOX BEFORE INSTALLING OR SERVICING THIS FIXTURE.**

**NOTE: 1. Before installing, consult local electrical codes for wiring and grounding requirements.  
2. READ AND SAVE THESE INSTRUCTIONS.**



1. Attach nipple(-a) to the mounting strap, then secure it with a washer and hex nut.
2. Attach the mounting strap to the outlet box by using two mounting screws.
3. Screw the nipple(-b) into the coupling of the fixture, secure it with hex nut.
4. Attach the tube through the nipple(-b), slide the metal pad through the nipple(-b), then secure them with loop.
5. Choose the length of the chain you need, then weave the fixture wire and the fixture grounding wire through the chain. Then connect one end of the chain with the loop by using the loop lock.
6. Secure the top loop to nipple(-a).
7. Thread the fixture wire and fixture grounding wire through the collar, canopy, top loop, nipple(-a) and mounting strap.
8. Connect the other end of the chain with the top loop by using the loop lock.
9. Pull out the outlet wires and the house grounding wire from the outlet box. Make wire connections using the wire nuts:
  - The smooth wire (marked) from the fixture to the black wire from the power source.
  - The ridged wire (unmarked) from the fixture to the white wire from the power source.
  - Attach the fixture grounding wire to the mounting strap with the green grounding screw. Then connect it to the house grounding wire with a wire nut.

Carefully put the wires back into the outlet box.
10. Attach the canopy to the mounting strap by inserting the top loop, then secure it with the collar.
11. Attach the glass shades onto the glass holders, then secure them with the spacers and socket rings, using supplied socket ring fixer.
12. Install bulbs(not included). See relamping label at socket area or packaging for maximum allowed wattage.
13. Turn on the power at the main fuse or circuit breaker box.

