

aireRyder

LIMITED LIFETIME WARRANTY

Model No.: FN44297 / FN52297

aireRyder ORIGINAL CEILING FAN LIMITED LIFETIME WARRANTY

The limited lifetime warranty covers this ceiling fan, for residential use by the original purchaser, against defects in material or workmanship as follows:

If your aireRyder Ceiling Fan motor fails at any time during the lifetime of the original purchaser due to defects in material or workmanship, we will provide a replacement part free of charge.

If your Fan motor fails at any time within one year after the original date of sale to the original purchaser due to defects in material or workmanship, we will provide labor to repair the defect, with the exception of take down/reinstallation, free of charge. The original purchaser will be responsible for all labor costs after this one year period.

If no replacement parts are provided for any part of your Fan motor that fails at any time during your lifetime due to defects in material or workmanship, we will refund the original purchase price of your Fan.

If your Fan blades, pull chain switch, reverse switch, or any accessory, except glass globes and light bulbs, fails at any time within one year after the original date of purchase due to a defect in material and workmanship, we will repair or, if we choose, replace the defective blades, switch, or accessory free of charge, with the exception of take down/reinstallation services.

If the original purchaser ceases to own the Fan, this warranty and any implied warranty, including but not limited to any implied warranty of merchantability or fitness for a particular purpose, become void. This warranty and any implied warranty, including but not limited to any implied warranty of merchantability or fitness for a particular purpose, do not cover glass globes, light bulbs, or finish on any metal portions of the Fan.

This warranty is in lieu of express warranties. The duration of any implied warranty of merchantability or fitness for a particular purpose, with respect to any aireRyder Ceiling Fan motor, blades, switch, or accessories, is expressly limited to the period of the express warranty set forth above for such motor, blades, switch, or accessories.

This warranty excludes defects, malfunctions, or failures of any aireRyder Ceiling Fan that are caused by repairs by persons not authorized by us, use of parts or accessories not authorized by us, mishandling, improper installation, modifications or damage to the Fan while in your possession, or unreasonable use, including failure to provide necessary maintenance.

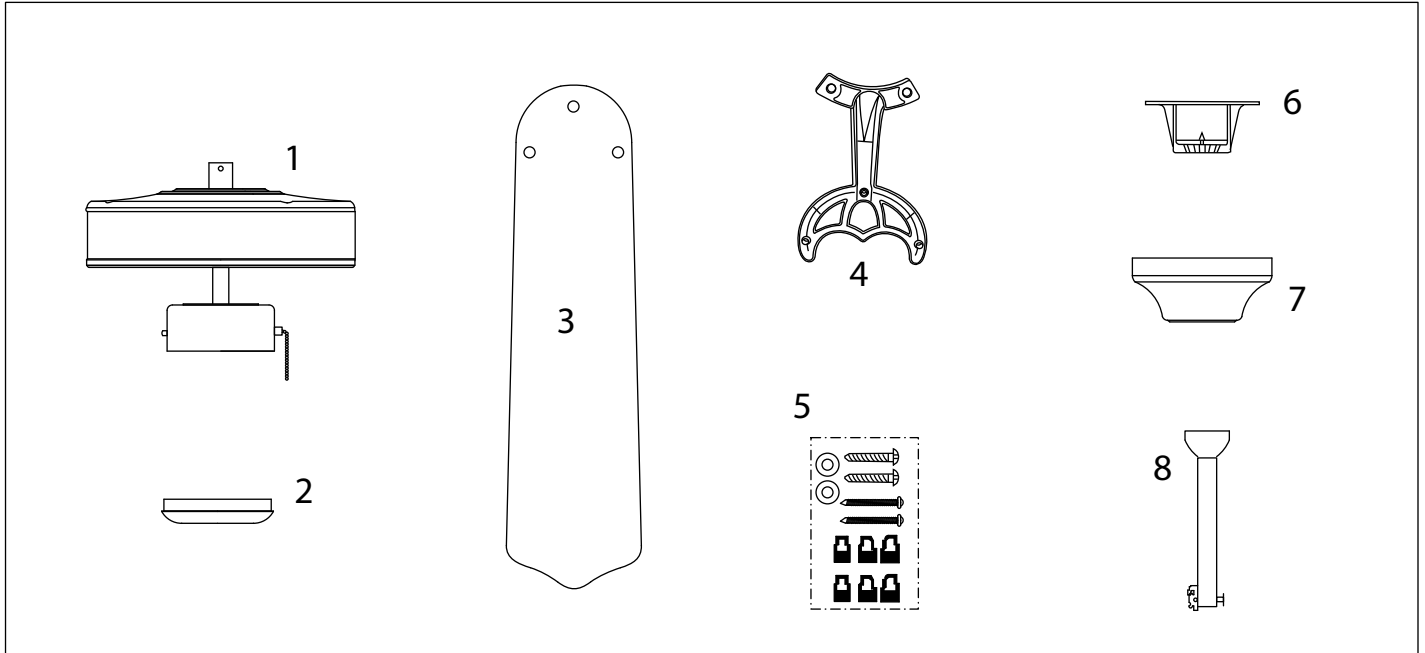
In no event shall aireRyder Fan be liable for consequential or incidental damages.

Some states do not allow the exclusion or limitation of consequential or incidental damages, in which case the above limitation or exclusion may not apply.

This warranty gives you specific legal rights and you may also have other rights which vary from state to state.

aireRyder™

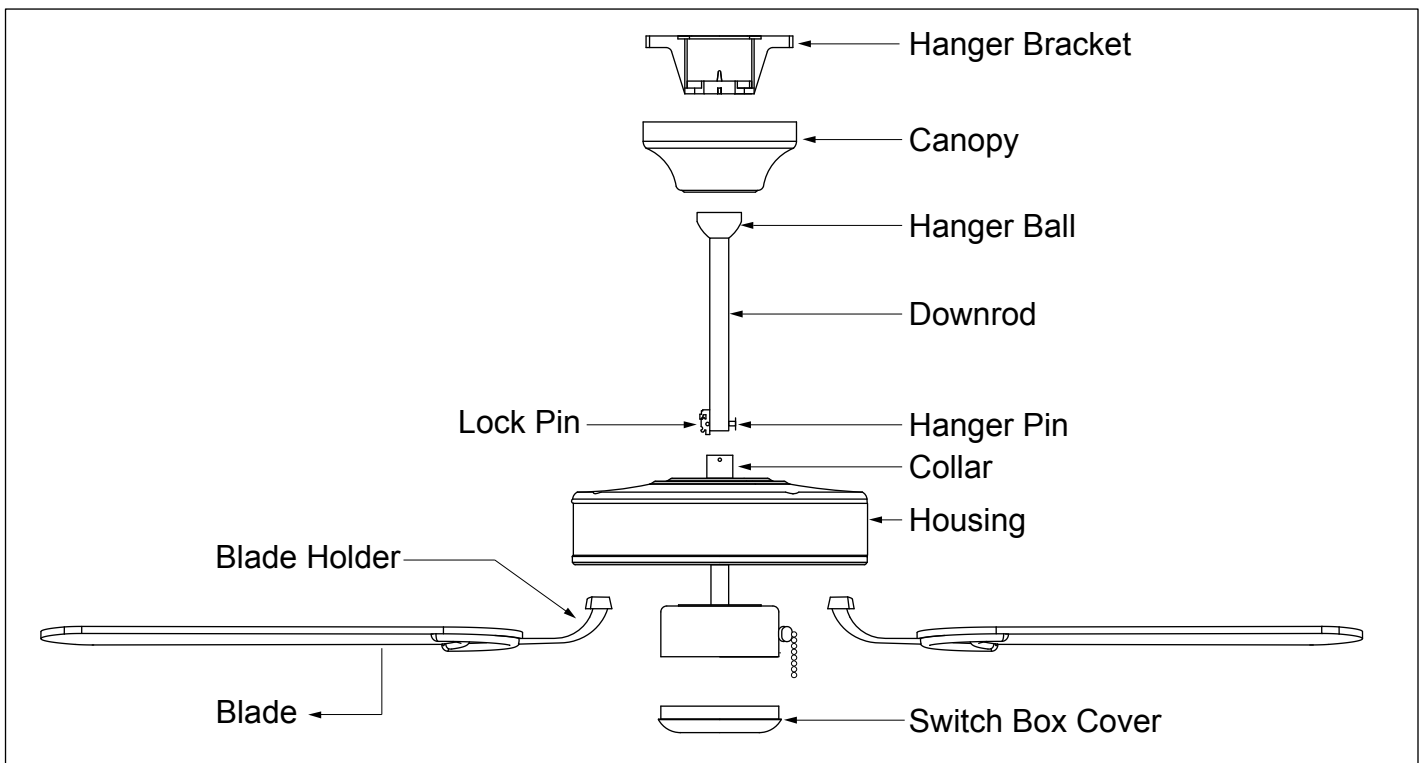
Package Contents:



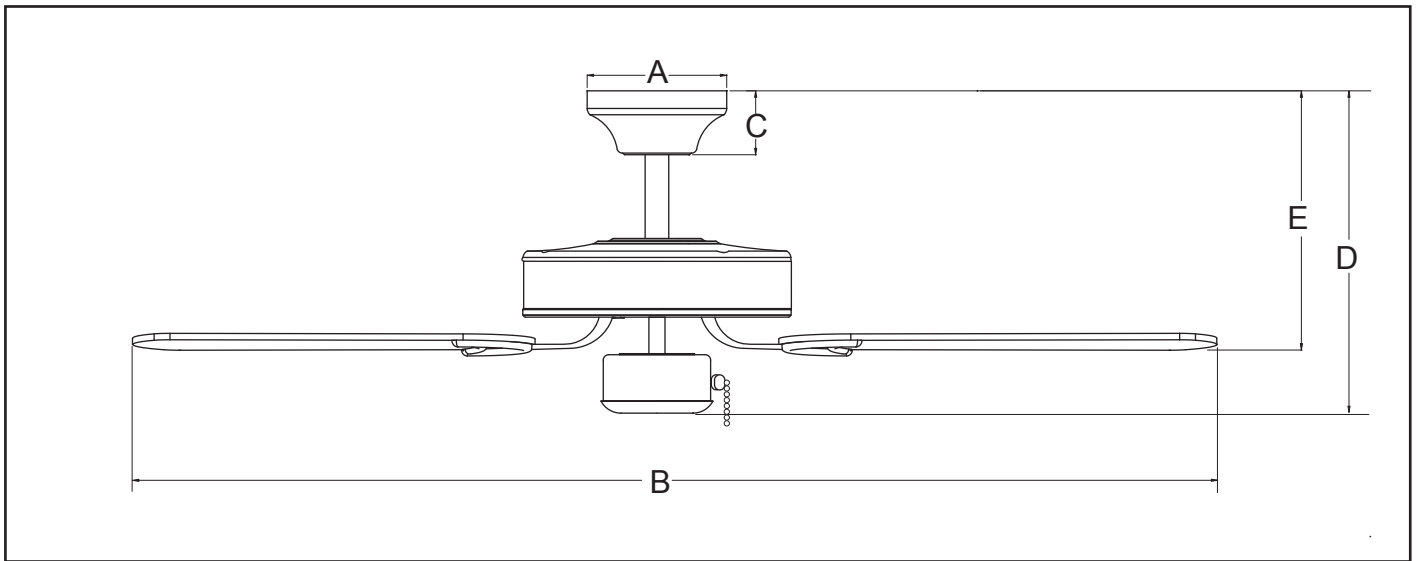
Unpack your fan and check the contents. You should have the following items.

- 1.) Fan Fixture Set
- 2.) Switch Box Cover
- 3.) Fan Blade (X5)
- 4.) Blade Holder (X5)
- 5.) Assembly Kit
- 6.) Hanger Bracket
- 7.) Canopy
- 8.) Downrod Set (Including Hanger Ball, 4 in. Downrod, Hanger Pin & Lock Pin)

Decomposition Chart:

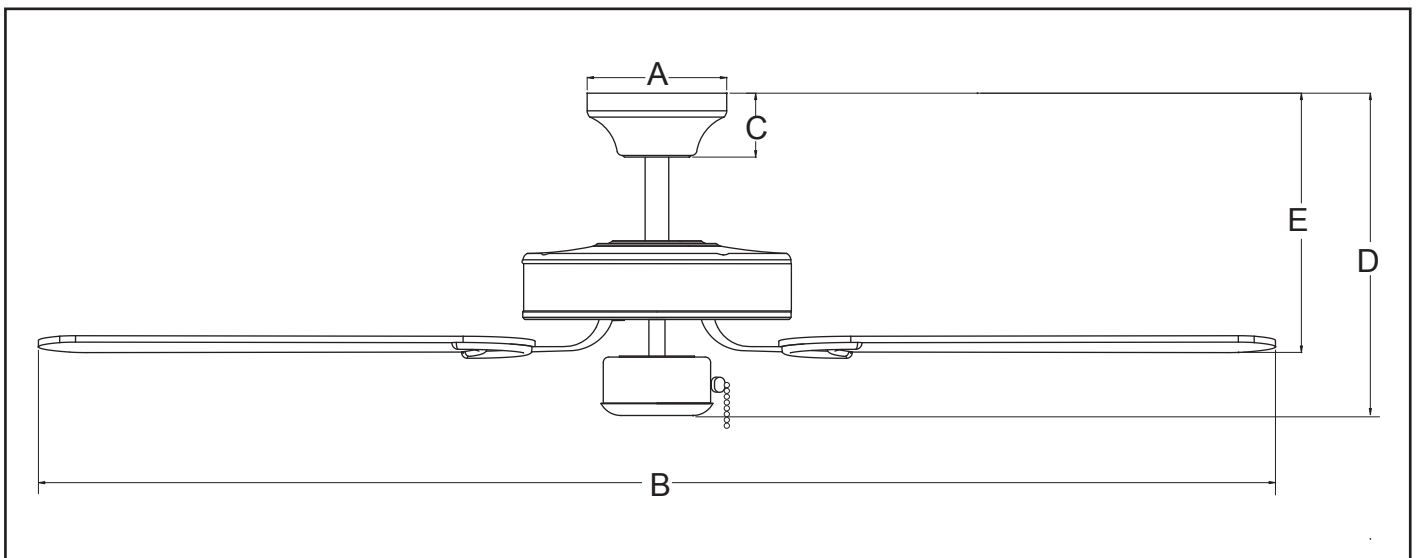


Dimension Reference (Installed with 4 in. Downrod) (for FN44297)



- A. 5-1/8 in.
- B. 44 in.
- C. 2-1/4 in.
- D. 11 in.
- E. 9-1/4 in.

Dimension Reference (Installed with 4 in. Downrod) (for FN52297)



- A. 5-1/8 in.
- B. 52 in.
- C. 2-1/4 in.
- D. 12 in.
- E. 9-1/2 in.

Safety Instructions

READ ALL SAFETY INFORMATION AND INSTALLATION INSTRUCTIONS BEFORE YOU BEGIN INSTALLING THE FAN. SAVE INSTRUCTIONS.

- All set screws of the fan must be checked and retightened where necessary before installation.
- To reduce the risk of personal injury, do not bend the blade brackets when installing the brackets, balancing the blades or cleaning fan. Do not insert foreign objects in between rotating fan blades.
- Before changing the fan direction, turn off the fan and wait for the fan blades to stop completely.
- If a stationary appliance is not provided with a supply cord and a plug, or with other means for disconnection from the mains supply having a contact separation of at least 3 mm in all poles, that means for disconnection must be incorporated in the fixed wiring in accordance with the wiring rules.
- NOTE: The safeguards provided by these safety instructions and by the separate installation instructions are not meant to cover all possible conditions and situations that may occur. It must be understood that common sense, caution and care are factors which can not be built into this product. These factors must be supplied by the person(s) installing, caring for and operating the fan.

WARNING

- TO AVOID RISK OF ELECTRIC SHOCK, BE SURE TO SHUT OFF POWER AT THE MAIN FUSE OR CIRCUIT BREAKER BOX BEFORE INSTALLING OR SERVICING THIS FIXTURE. TURNING OFF THE ELECTRICAL POWER BY USING THE LIGHT SWITCH IS NOT SUFFICIENT TO PREVENT ELECTRICAL SHOCK.
- TO REDUCE THE RISK OF INJURY, INSTALL THE FAN SO THAT THE BLADES ARE AT LEAST 7 FEET (2.1 METERS) ABOVE THE FLOOR AND AT LEAST 18 INCHES (0.5 METERS) FROM THE TIP OF THE BLADES TO THE WALL.
- TO REDUCE THE RISK OF FIRE, ELECTRIC SHOCK, OR PERSONAL INJURY, MOUNT TO OUTLET BOX MARKED "ACCEPTABLE FOR FAN SUPPORT" AND USE MOUNTING SCREWS PROVIDED WITH THE OUTLET BOX.
- THE INSTALLATION HAS TO BE IN ACCORDANCE WITH THE NATIONAL ELECTRICAL CODE, ANSI/NFPA 70-1999 AND LOCAL CODES. IF YOU ARE UNFAMILAR WITH THE METHODS OF INSTALLING ELECTRICAL WIRING, SEEK THE SERVICES OF A QUALIFIED LICENSED ELECTRICIAN.

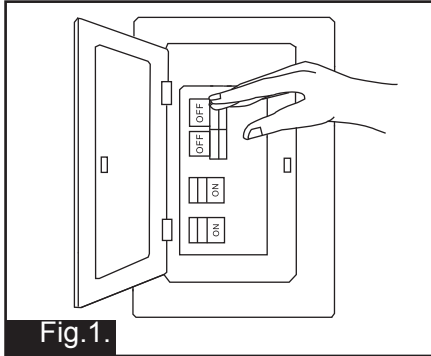
INSTALLATION INSTRUCTIONS

IMPORTANT:

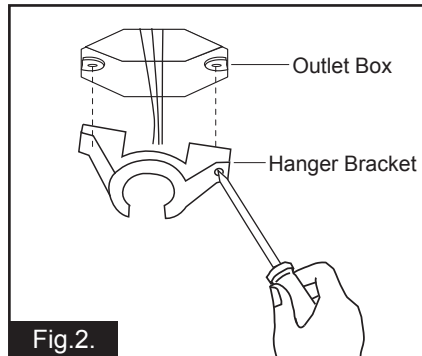
- BEFORE YOU BEGIN INSTALLING THE FAN, CAREFULLY READ ALL INFORMATION ON THE SEPARATE SHEET "SAFETY INSTRUCTIONS" AS WELL AS THE FOLLOWING "INSTALLATION INSTRUCTIONS". IF IN DOUBT, CONSULT A QUALIFIED ELECTRICIAN.
- THIS FAN MUST BE INSTALLED WITH A WALL CONTROL/SWITCH.
- SAVE ALL INSTRUCTIONS.

NOTE: The fan weight for Model FN44297 is 11.56 lb (5.2 kg) and for Model FN52297 is 12.67 lb (5.7 kg). Be sure the outlet box you are using is securely attached to the building structure and can support the full weight of the fan. Failure to do so can result in serious injury.

Installation Steps :

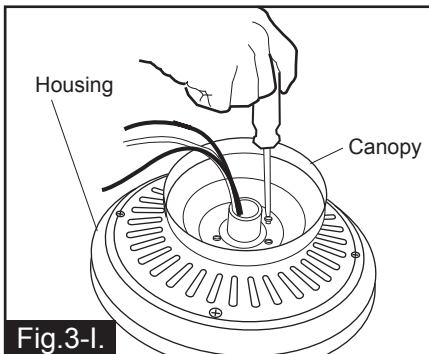


Step 1: Turn off the electric power at the main fuse or circuit breaker box.

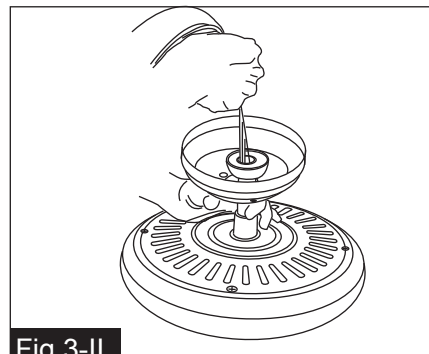


Step 2:

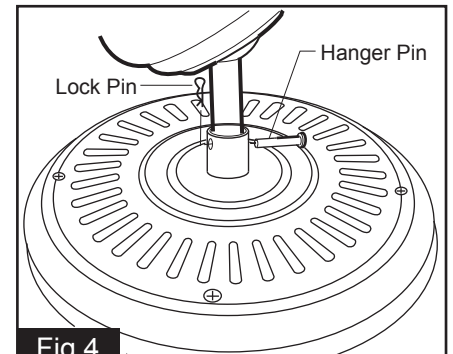
Tighten the hanger bracket to the outlet box with 2 mounting screws. (To reduce the risk of fire electric shock, or personal injury, mount to the outlet box marked acceptable for fan support and use mounting screws provided with the outlet box.)



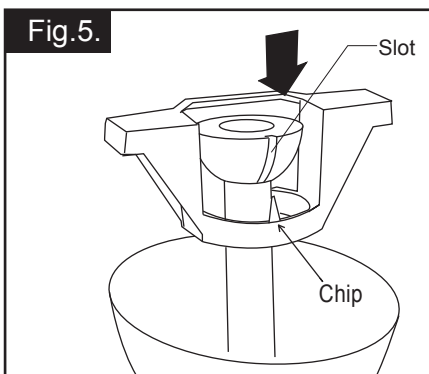
Step 3-I (for ceiling mount only): Attach the canopy to the housing with three ceiling mount screws. Go to Fig.6 for the next step.



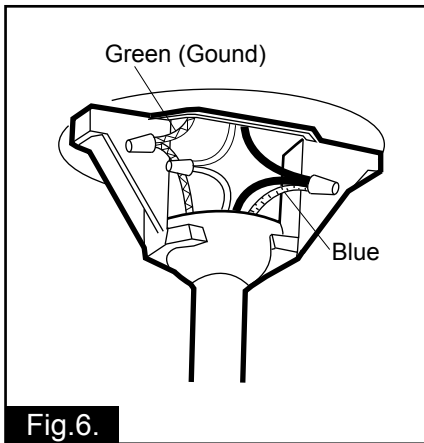
Step 3-II (for downrod mount only): Insert the motor wires through the canopy and downrod.



Step 4 (for downrod mount only): Insert the hanger pin through the holes in the collar and downrod. Insert the lock pin through the hole near the end of the hanger pin until it snaps into its locked position. Finally, tighten downrod screws on top of the fan motor.



Step 5 (for downrod mount only): Hang the fan on hanger bracket, and make sure the slot of hanger ball is snapped into the chip of hanger bracket exactly.



Step 6 (for downrod & ceiling mount).

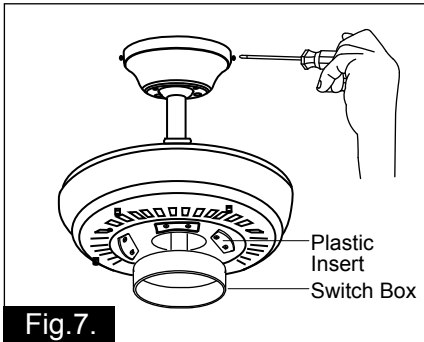
Make wires connections:

Measure the length of wire that you need.

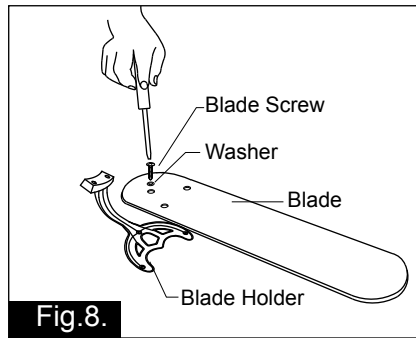
- 1). The motor white wire to the white wire from the outlet box with a wire nut.
- 2). The motor black wire and blue wire to the black wire from the outlet box with a wire nut.
- 3). The ground wire from the outlet box to the ground wire from the motor with a wire nut.

*** After making the wire connections, the wires should be spread apart with the grounded conductor and the equipment-grounding conductor on one side and the underground conductor on the other side of the outlet box.

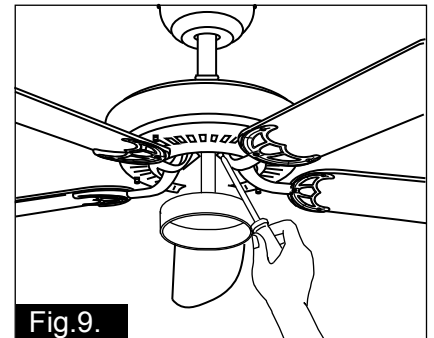
*** After the splices have been made, they should be turned upward and pushed carefully up into the outlet box.



Step 7: Remove the canopy from the hook, then attach the canopy to the mounting plate and then secure with four screws and washers.

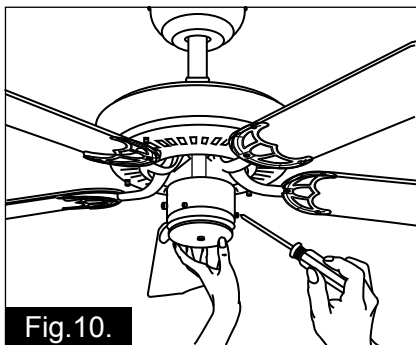


Step 8: Tighten blades to blade holders by using blade screws and washers.

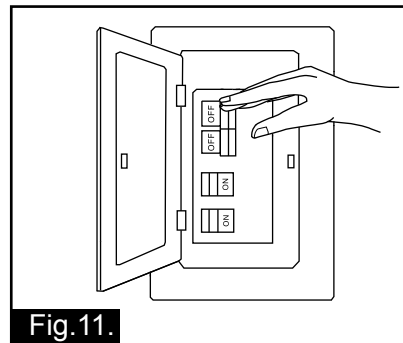


Step 9: Secure blade holders to the motor with motor screws and washers.

NOTE:
Before installing blade holders to the motor, please remove the plastic inserts. (See fig.7)



Step 10: Secure the switch box cover upward to the switch box with the switch box screws.



Step 11: Turn on the electric power at the main fuse or circuit breaker box. Use pull chain to control the fan speed.

Trouble Shooting Guide

If you have difficulty operating your new ceiling fan, it may be the result of incorrect assembly, installation or wiring. In some cases, these installation errors may be mistaken for defects. If you experience any faults, please check this Trouble Shooting Guide. If a problem cannot be remedied or you are experiencing difficulty in installation, please call our Customer Service Department.

TROUBLE	SUGGESTED REMEDY
1. If fan does not start:	<ol style="list-style-type: none">1. Check main and branch circuit fuses or circuit breakers.2. Check line wire connections to fan and switch wire connections in switch housing. CAUTION: Make sure main power is turned off.3. Make sure forward/reverse switch is firmly in up or down position. Fan will not operate when switch is in the middle.4. Make sure that the wall controller is turned "ON".
2. If fan sounds noisy:	<ol style="list-style-type: none">1. Make sure all screws in motor housing are snug. (not over tightened)2. Make sure the screws which attach the fan bladeholder to the motor are tight.3. Make sure wire nut connectors in switch housing are not rattling against each other or against the interior wall of the switch housing. CAUTION: Make sure main power is turned off before entering switch housing.4. If using an optional ceiling fan light kit, check to be sure the screws securing the glassware are finger tight. Check to be sure light bulb is tight in socket and not touching glass shade(s). If vibration persists from glass, remove glass and install a 1/4 in. wide rubber band on glass neck to act as an insulator. Replace glass and tighten screws against rubber band.5. Some fan motors are sensitive to signals from Solid State variable speed controls. DO NOT USE a Solid State variable speed control.6. Allow "break-in" period of 24 hours. Most noises associated with a new fan will disappear after this period.
3. If fan wobbles:	<p>All blades are weighed and grouped by weight. Natural woods vary in density which could cause the fan to wobble even though all blades are weight-matched. The following procedures should eliminate most of the wobble. Check for wobble after each step.</p> <ol style="list-style-type: none">1. Check that all blades are screwed firmly into blade holders.2. Check that all blade holders are tightened securely to motor.3. Make sure that canopy and mounting bracket are tightened securely to ceiling junction box and junction box is mounted firmly to ceiling joist.4. Most fan wobble problems are caused when blade levels are unequal. Check this level by selecting a point on the ceiling above the tip of one of the blades. Keeping measure within 1/8 in. rotate the fan until the next blade is positioned for measurement. repeat for each blade. If all blade levels are not equal, you can adjust blade levels by the following procedure. To adjust a blade tip down, insert a washer (not supplied) between the blade and blade holder at the screw closest to the motor. To adjust a blade tip up, insert washer (not supplied) between the blade and blade holder at the two screws farthest from the motor.5. If blade wobble is still noticeable, interchanging two adjacent (side by side) blades can redistribute the weight and possibly result in smoother operation.
4. If light does not work:	<ol style="list-style-type: none">1. Check blue wire from fan to make sure it is connected to hot wire from house.2. Check for loose or disconnected wires in fan switch housing.3. Check for loose or disconnected wires in light kit.4. Check for faulty light bulbs. CAUTION: Make sure main power is turned off before entering switch housing.