



ORIGINAL VAXCEL CEILING FAN LIMITED LIFETIME WARRANTY*

**for full limited lifetime warranty details please see final page of these instructions.*

Model No.: F0145

Safety Instructions

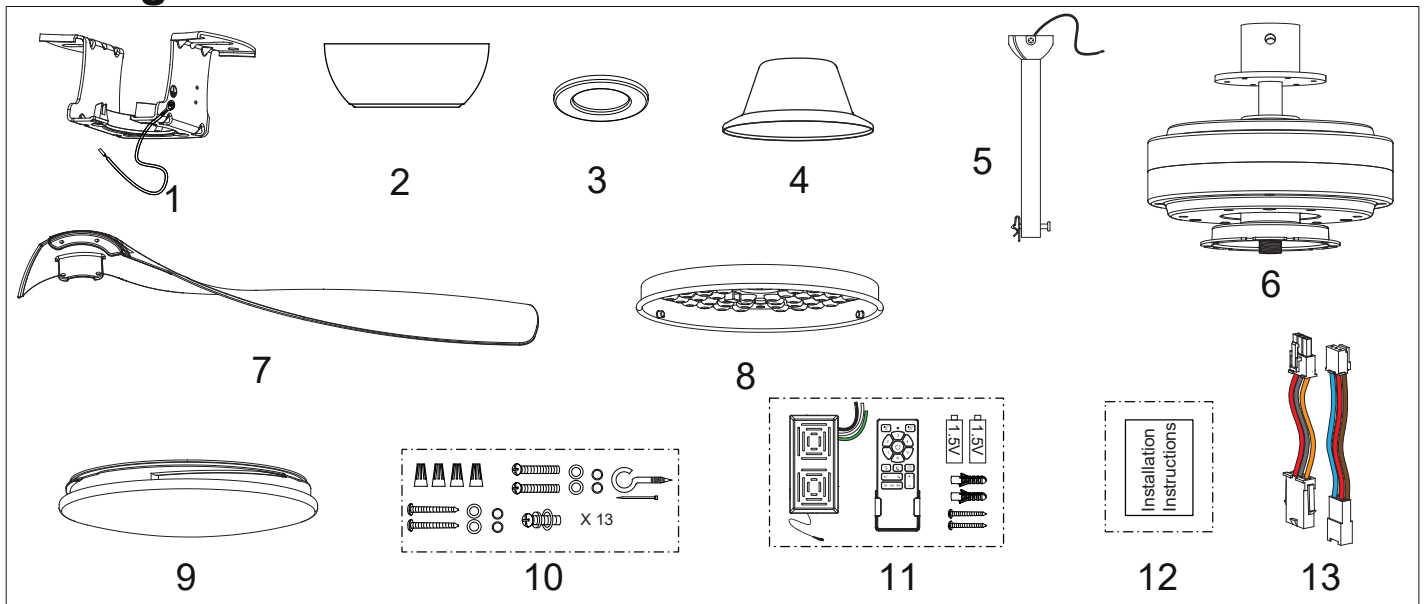
READ ALL SAFETY INFORMATION AND INSTALLATION INSTRUCTIONS BEFORE YOU BEGIN TO INSTALL THE FAN AND SAVE INSTRUCTIONS.

- All set screws of the fan must be checked and retightened where necessary before installation.
- To reduce the risk of personal injury, do not bend the blade brackets when installing the brackets, balancing the blades or cleaning the fan. Do not insert foreign objects between rotating fan blades.
- Before changing the fan direction, turn off the fan and wait for the fan blades to stop completely.
- The safeguards provided by these safety instructions and by the separate installation instructions are not meant to cover all possible conditions and situations that may occur. It must be understood that common sense, caution and care are factors which can not be built into this product.
- These factors must be supplied by the person(s) installing, caring for and operating the fan.

WARNING

- TO AVOID RISK OF ELECTRIC SHOCK, BE SURE TO SHUT OFF POWER AT THE MAIN FUSE OR CIRCUIT BREAKER BOX BEFORE INSTALLING OR SERVICING THIS FIXTURE. TURNING OFF THE ELECTRICAL POWER BY USING THE LIGHT SWITCH IS NOT SUFFICIENT TO PREVENT ELECTRICAL SHOCK.
- TO REDUCE THE RISK OF INJURY, INSTALL THE FAN SO THAT THE BLADES ARE AT LEAST 7 FEET (2.1 METERS) ABOVE THE FLOOR AND AT LEAST 18 INCHES (0.5 METERS) FROM THE TIP OF THE BLADES TO THE WALL.
- TO REDUCE THE RISK OF FIRE, ELECTRIC SHOCK, OR PERSONAL INJURY, MOUNT TO OUTLET BOX MARKED "ACCEPTABLE FOR FAN SUPPORT" AND USE MOUNTING SCREWS PROVIDED WITH THE OUTLET BOX.
- THE INSTALLATION HAS TO BE IN ACCORDANCE WITH THE NATIONAL ELECTRICAL CODE, ANSI/NFPA 70-1999 AND LOCAL CODES. IF YOU ARE UNFAMILIAR WITH THE METHODS OF INSTALLING ELECTRICAL WIRING, SEEK THE SERVICES OF A QUALIFIED LICENSED ELECTRICIAN.

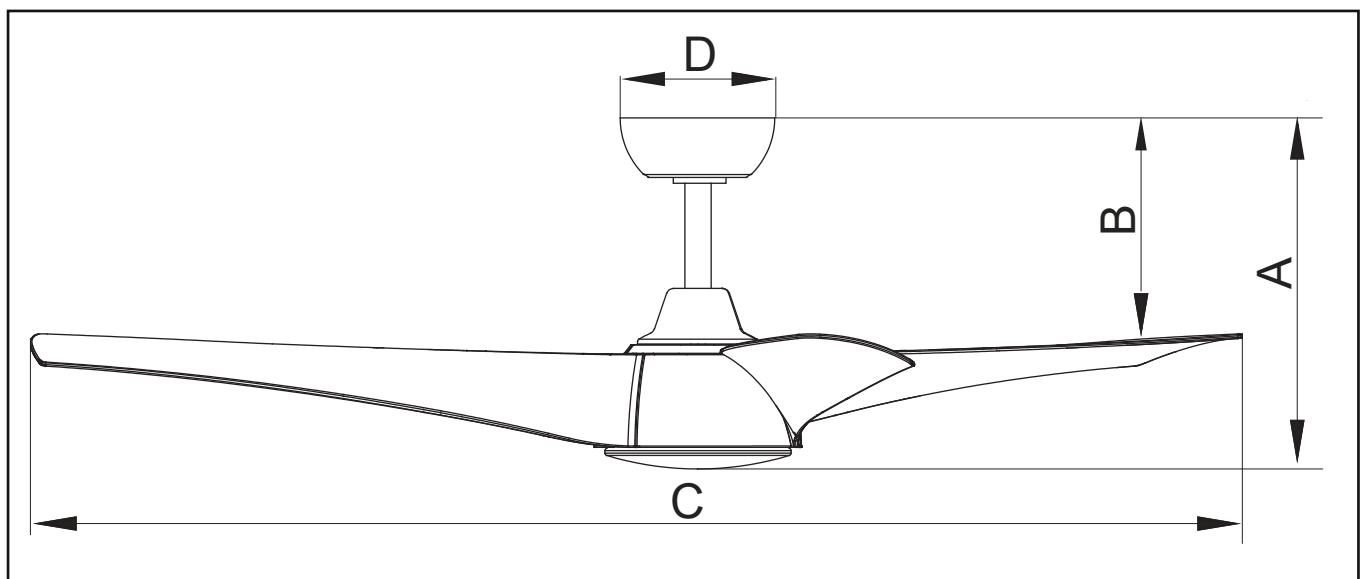
Package Contents:



Unpack your fan and check the contents. You should have the following items.

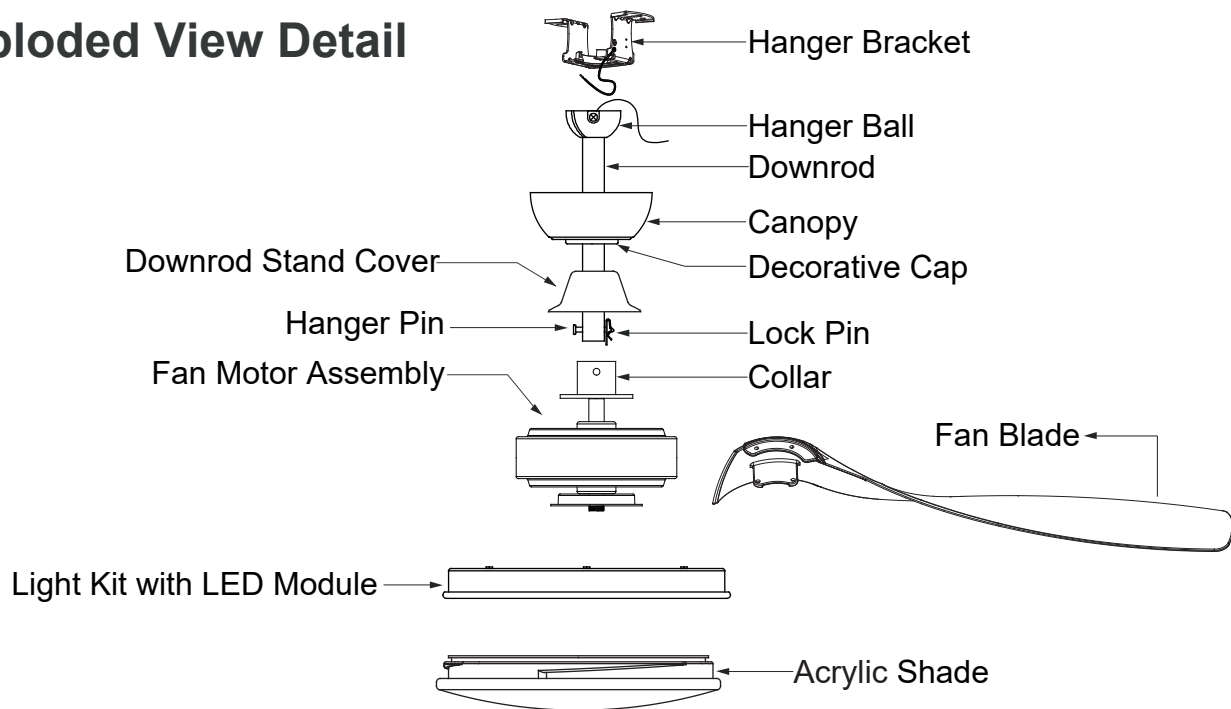
- 1.) Hanger Bracket
- 2.) Canopy
- 3.) Decorative Cap
- 4.) Downrod Stand Cover
- 5.) Downrod Set (Included Hanger Ball, 6" Downrod, Hanger Pin & Lock Pin)
- 6.) Fan Motor Assembly
- 7.) Fan Blades (3 PCS)
- 8.) Light Kit with LED Module
- 9.) Acrylic Shade
- 10.) Assembly Kit
- 11.) Remote Control Set (Includes Receiver & Transmitter & Batteries & Screws)
- 12.) Installation Instructions
- 13.) Lead Wires

Dimension Reference (Installed with 6" Downrod):

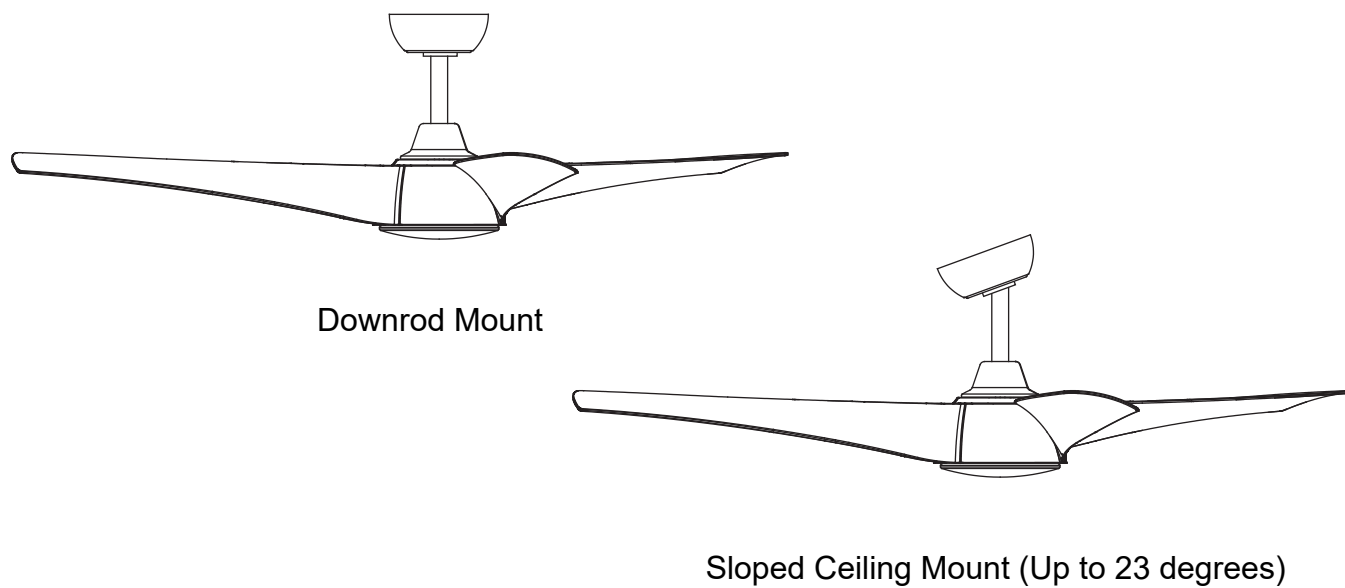


A. 14" B. 9-1/4" C. 56" D. 6"

Exploded View Detail



Dual Mount Drawing



INSTALLATION INSTRUCTIONS

IMPORTANT:

- BEFORE YOU BEGIN INSTALLING THE FAN, CAREFULLY READ ALL INFORMATION IN THE SAFETY INSTRUCTIONS AND INSTALLATION INSTRUCTIONS. IF IN DOUBT, CONSULT A QUALIFIED ELECTRICIAN.
- SAVE ALL INSTRUCTIONS.

NOTE: The fan weight is 13.67 lbs (6.2 kg). Be sure the outlet box you are using is securely attached to the building structure and can support the full weight of the fan. Failing to do so can result in serious injury.

Installation Steps :

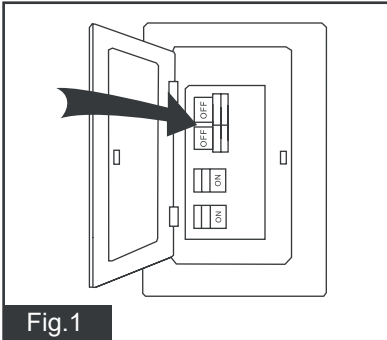


Fig. 1

Turn OFF the electric circuit at the main fuse or circuit breaker box.

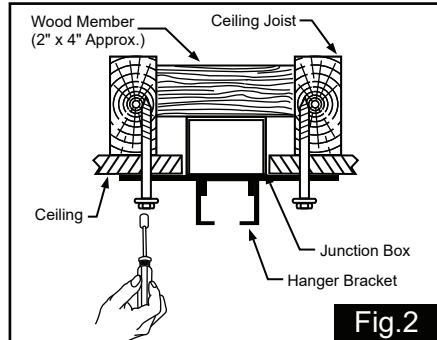
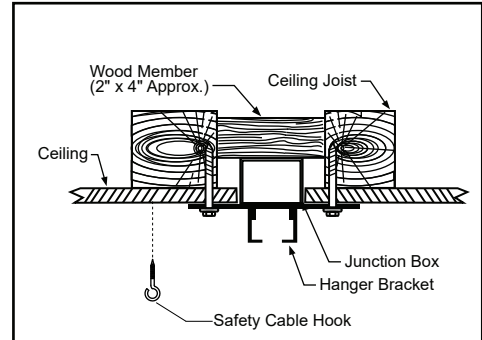


Fig. 2



Tighten the hanger bracket to the outlet box with two mounting screws. **(Make sure the outlet box is securely installed so that it will be able to support at least the fan weight.)** Attach the safety cable hook to the ceiling with the dry wall screw and washer, and make sure the safety cable hook is covered by the fan canopy. **WARNING: MOUNT ONLY TO AN OUTLET BOX MARKED "ACCEPTABLE FOR FAN SUPPORT"!**

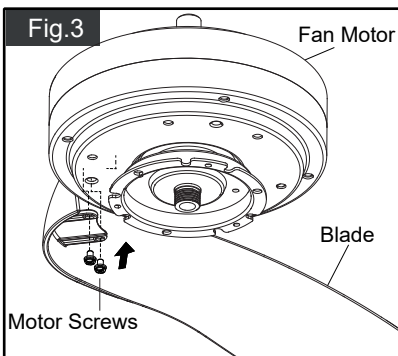


Fig. 3

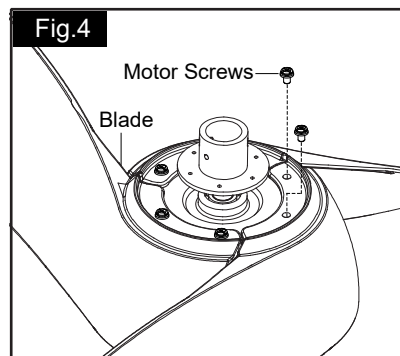


Fig. 4

Align and engage the bottom holes from blade to the bottom fan motor then fix them together with the pre-installed motor screws provided. In order to adjust the blade, the motor screws can't be tightened. Carefully align the top holes from blade to the upper fan motor and then secure with the pre-installed motor screws provided and tighten the motor screws on the bottom of the fan motor. Follow the same process for the remaining two blades.

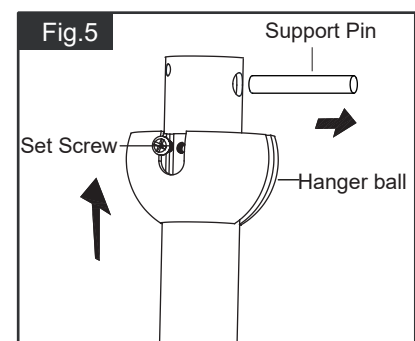


Fig. 5

- Remove the set screw with a Phillips screwdriver and save the set screw for later use.
- Remove the hanger ball and the support pin from the downrod for later use.

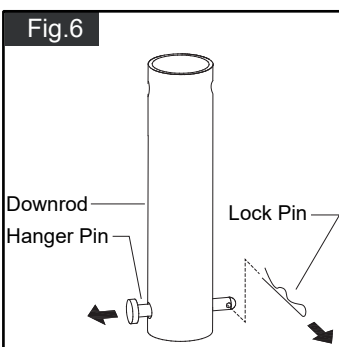


Fig. 6

Remove the lock pin from hanger pin and remove the hanger pin from the downrod.

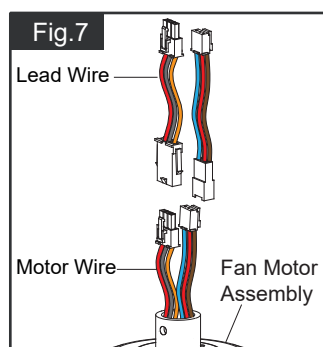


Fig. 7

Please connect the lead wires when using over 6" downrod.

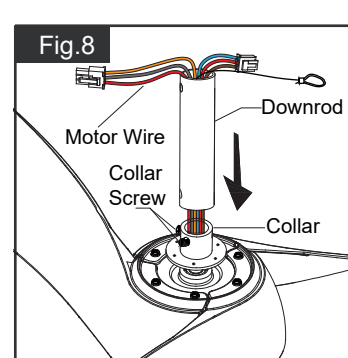
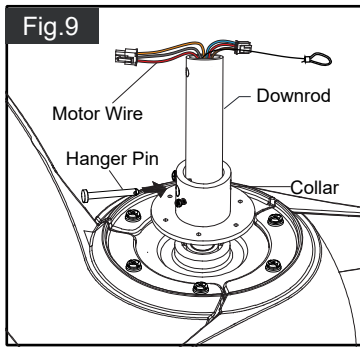
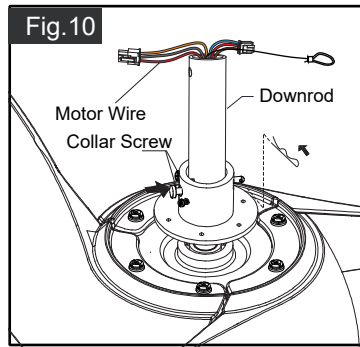


Fig. 8

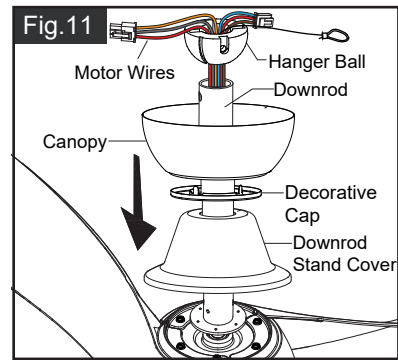
- Slide the motor wires through the top of the downrod.
- Loosen the collar screws outpart way. Insert the dowrod into the collar.



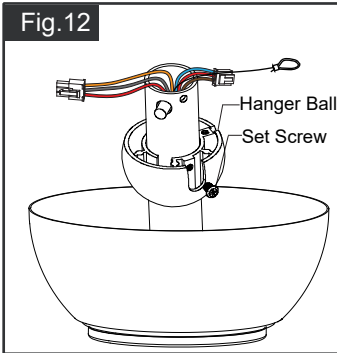
Slide hanger pin through holes of collar and downrod.



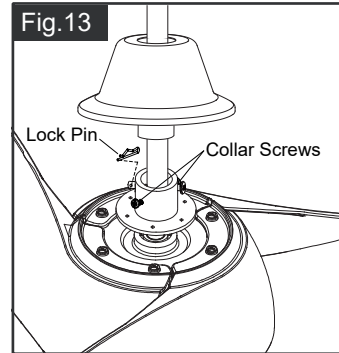
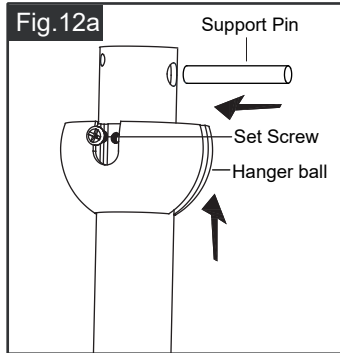
Tighten the two collar screws. Slide lock pin into hanger pin until it is locked into position.



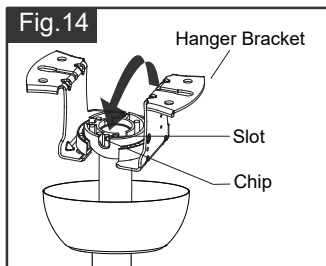
Slide downrod stand cover, decorative cap (Making sure the smooth side of decorative cap is facing downward.), canopy and hanger ball over motor wires onto downrod.



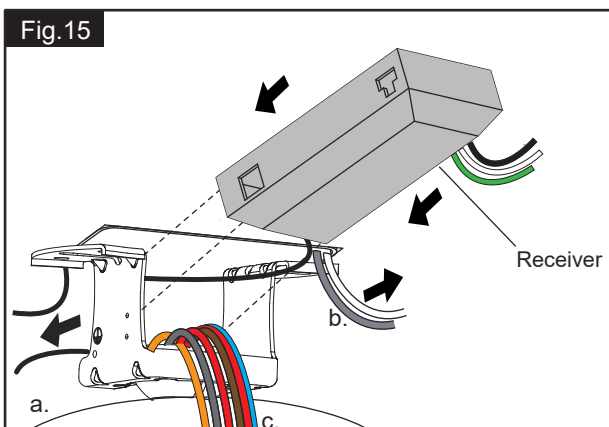
Slide the support pin into hanger ball until it is through the downrod then push the hanger ball upwards and rotate it until the pin locks in the slot of hanger ball. Finally, secure the hanger ball to downrod with previous set screw which was removed.



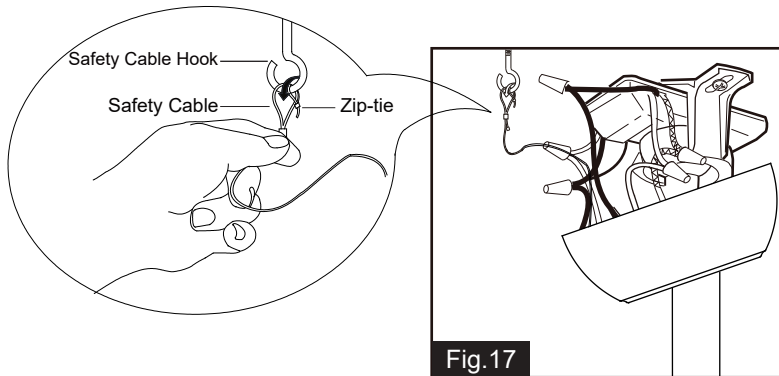
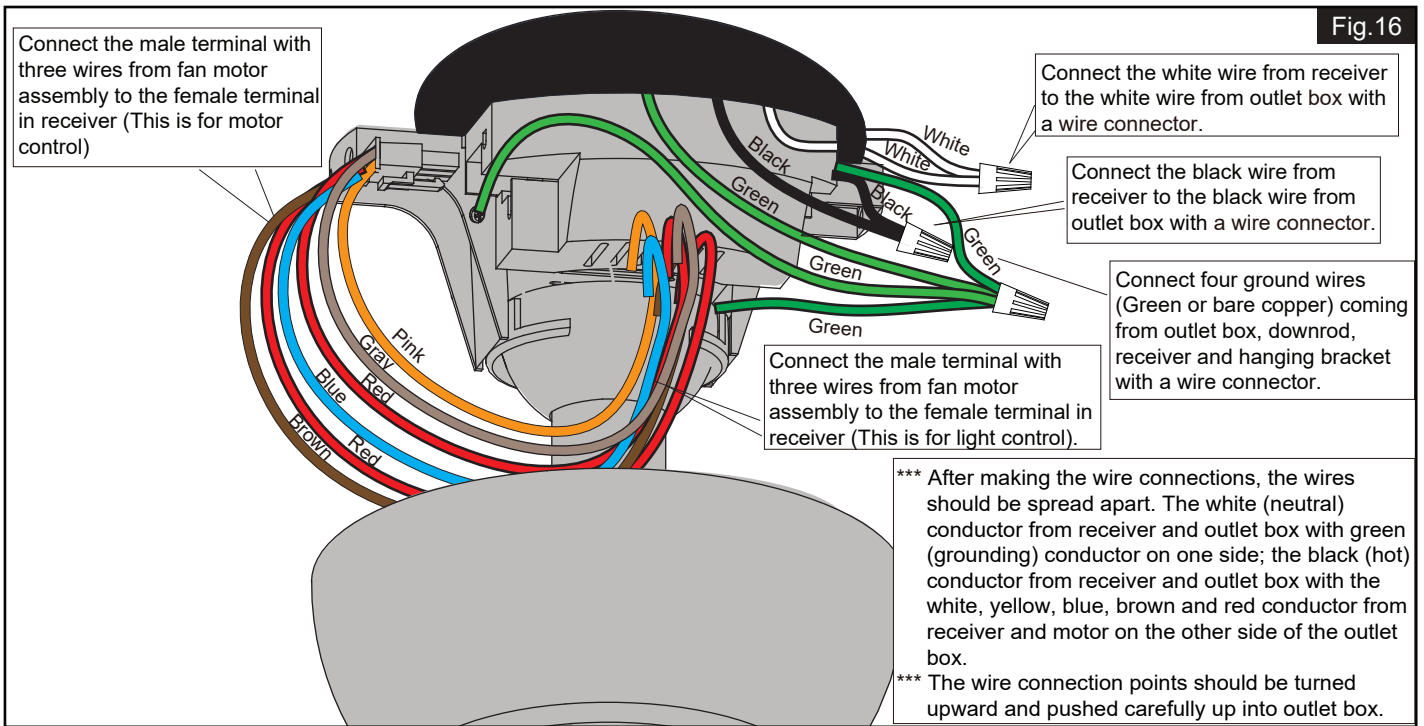
Tighten the two collar screws. Slide lock pin into hanger pin until it is locked into position.



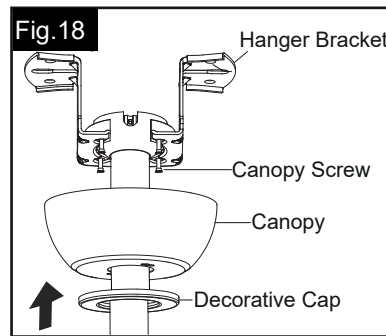
Hang the fan on hanger bracket, and make sure the slot of hanger ball is snapped into the chip of hanger bracket exactly.
Note: For sloped ceiling installation, make sure the slot of hanger ball and the chip of hanger bracket face down.



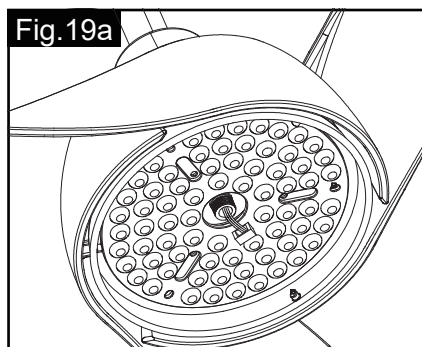
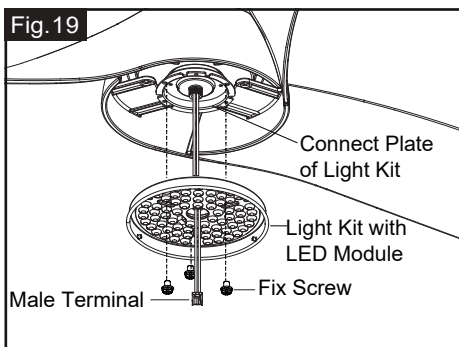
Move ground wires (a), outlet box wires (b), and motor wires (c) away from the center of the hanger bracket as shown. Thread the antenna through the hanger bracket first, then thread the receiver through the hanger bracket until it is placed in the center.



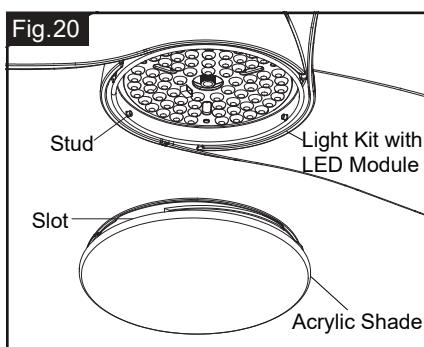
Hang the safety cable into the safety cable hook, tighten the safety cable to the safety cable hook by using the zip-tie.



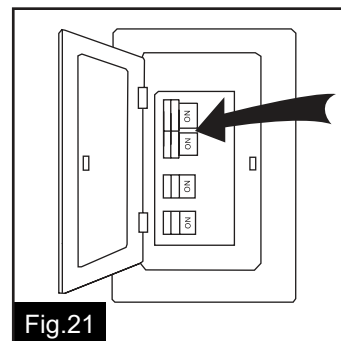
Slide the canopy up to ceiling and over the two canopy screws on hanger bracket. Rotate canopy clockwise, next, push the decorative cap upwards to secure it directly with the canopy.



Remove three fix screws from the connect plate assembled on the fan motor assembly first (for later use). Attach the light kit with LED module to the fan motor assembly, pull the male terminal with two wires from fan motor assembly and thread it through the center hole of the light kit. Connect the male terminal to the female terminal in LED module. Then align and engage the light kit with LED module with the connect plate holes and secure with the three screws which were removed previously.

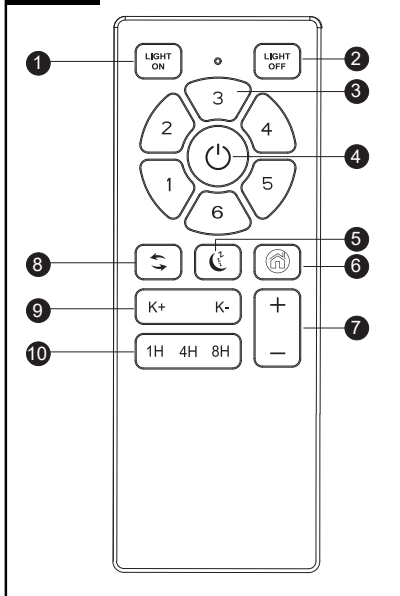


Attach the acrylic shade to the light kit by aligning studs and slots, and then turn it clockwise until it is locked in place.



Turn ON the electric circuit at the main fuse or circuit breaker box.

Fig.22



Remote Control

Install two 1.5 volt batteries (type AAA, included) into the remote control.

Remote Control functions:

1. "LIGHT ON" Light On Button:
Press this button to turn the light on.
2. "LIGHT OFF" Light Off Button:
Press this button to turn the light off.
3. Fan speed:
1 = minimum speed 2 = low speed 3 = medium low speed
4 = medium speed 5 = medium high speed 6 = high speed
4. "⏻" Button:
Press this button to turn the fan off.
5. "🌬️" Sleep/Breeze Button:
Press the breeze button to cycle the fan speed. The fan will cycle through 3 speeds in 30 seconds. If the fan is off the cycle will start at minimum "1" speed and increase until medium low speed "3" is reached, then cycle slowly back down to minimum speed "1". Again, then repeat. If the fan is on then the breeze cycle will start at that speed. To stop this function press any other fan speed or fan off button.
6. "🏠" Vacation Mode Button:
Press the vacation mode button to turn on the light for 5 minutes every 2 hours. Any other button will turn off this function.

7. "⬆️" Dimmer Function:
Press and hold the "+" button to increase light to the desired level.
Press and hold the "-" button to decrease light to the desired level.
8. "↺" Reverse Button:
Press this button to control fan direction.
Please wait, as the reverse function takes time to adjust.
9. "K+ K-" Reverse Button:
Press and hold the "K+" button to adjust the color temperature up to 5000K.
Press and hold the "K-" button to adjust the color temperature down to 2700K.
10. Timer button:
Press "1H", "4H" or "8H" timer button to turn off the fan and light for the selected duration.
If the light is off and the fan in on, the timer can automatically turn the fan off after the selected timer time.
(Same goes for the light.)
Press light off or fan off button to stop the timer control.

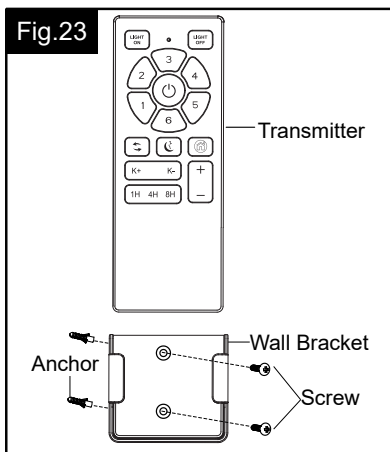
- Note:**
1. This remote control has a memory function setting. The fan will operate at the same speed and the fan light will stay at the same brightness-level as the last time the power supply was turned off.
 2. Compatible with on/off function wall switch only.

Set the code:

Within the 15 second time frame after the main power is turned on, press and hold the fan speed 1 and 2 buttons for about 5 seconds at the same time. After two beeping sounds are heard, the pairing is successful.

Note: The included transmitter was paired with the receiver at the factory with default settings, so you should not need to pair the remote unless the connection with the fan is lost.

Fig.23



Install the remote control wall bracket on the wall with two anchors and two screws and place remote control in it carefully.

Troubleshooting Guide

If you have difficulty operating your new ceiling fan, it may be the result of incorrect assembly, installation or wiring. In some cases, these installation errors may be mistaken for defects. If you experience any faults, please check this Troubleshooting Guide. If a problem cannot be remedied or you are experiencing difficulty in installation, please call our Customer Service Department (1-800-482-9235).

PROBLEM	SUGGESTED REMEDY
1. If fan does not start:	<ol style="list-style-type: none">1. Check main and branch circuit fuses or circuit breakers.2. Check line wire connections to fan and switch wire connections in switch housing. CAUTION: Make sure main power is turned off.3. Make sure that the wall control is turned "ON".
2. If fan sounds noisy:	<ol style="list-style-type: none">1. Make sure all screws in motor housing are snug. (not too tight)2. Make sure the screws which attach the fan blade to the motor are tight.3. Make sure wire connectors in switch housing are not rattling against each other or against the interior wall of the switch housing. CAUTION: Make sure main power is turned off before accessing switch housing.4. Some fan motors are sensitive to signals from Solid State variable speed controls. DO NOT USE a Solid State variable speed control.5. Allow "break-in" period of 24 hours. Most noises associated with a new fan will disappear after this period.
3. If fan wobbles:	<p>All blades are weighed and grouped by weight. The following procedures should eliminate most of the wobble. Check for wobble after each step.</p> <ol style="list-style-type: none">1. Check that all blades are screwed firmly into fan motor assembly.2. Make sure that mounting plate is tightened securely to ceiling junction box and junction box is mounted firmly to ceiling joist.3. If blade wobble is still noticeable, interchanging two adjacent (side by side) blades can redistribute the weight and possibly result in smoother operation.
4. If light does not work:	<ol style="list-style-type: none">1. Check black wire from fan to make sure it is connected to hot wire from supply wire coming out of the ceiling.2. Check for loose or disconnected wires in fan switch housing.3. Check for loose or disconnected wires in light kit.4. Check for faulty the LED module. CAUTION: Make sure main power is turned off before accessing switch housing.
5. If fan and light kit do not work:	<ol style="list-style-type: none">1. Replace the batteries of remote control.2. Turn off the power, then turn on the power to pair the remote control and receiver by holding the fan speed 1 and 2 buttons on the remote control according to the manual.

ORIGINAL VAXCEL CEILING FAN LIMITED LIFETIME WARRANTY*

The limited lifetime warranty covers this fan, for residential use by the original purchaser, against defects in material or workmanship as follows:

If your fan motor fails at any time during the lifetime of the original purchaser due to defects in material or workmanship, we will provide a replacement part free of charge.

If your fan motor fails at any time within one year after the original date of sale to the original purchaser due to defects in material or workmanship, we will provide labor to repair the defect, with the exception of take down/reinstallation, free of charge. The original purchaser will be responsible for all labor costs after this one year period.

If no replacement parts are provided for any part of your fan motor that fails at any time during your lifetime due to defects in material or workmanship, we will refund the original purchase price of your fan.

If your fan blades, or any accessory, except glass globes and light bulbs, fails at any time within one year after the original date of purchase due to a defect in material and workmanship, we will repair or replace the defective blades, switch, or accessory free of charge, with the exception of take down/reinstallation services.

If your fan includes any integrated LED modules, the LED functionality is covered by a 5-year warranty.

If the original purchaser ceases to own the fan, this warranty and any implied warranty, including but not limited to any implied warranty of merchantability or fitness for a particular purpose, become void. This warranty and any implied warranty, including but not limited to any implied warranty of merchantability or fitness for a particular purpose, does not cover glass globes, light bulbs, or finish on any metal portions of the fan.

This warranty is in lieu of express warranties. The duration of any implied warranty of merchantability or fitness for a particular purpose, with respect to any fan motor, blades, switch, or accessories, is expressly limited to the period of the express warranty set forth above for such motor, LED modules, blades, switch, or accessories.

This warranty excludes defects, malfunctions, or failures of any fan that are caused by repairs by persons not authorized by us, use of parts or accessories not authorized by us, mishandling, improper installation, modifications or damage to the fan while in your possession, or unreasonable use, including failure to provide necessary maintenance. This warranty does not include the failure of products from extreme acts of nature; environmental conditions not suited for the products intended use; operation in temperatures outside of the range specified in the instruction manual; usage with improper power supply, power surges or dips. For coastal locations, some corrosion is considered normal for the environment.

In no event shall VAXCEL be liable for consequential or incidental damages.

Some states do not allow the exclusion or limitation of consequential or incidental damages, in which case the above limitation or exclusion may not apply. This warranty gives you specific legal rights and you may also have other rights which vary from state to state.

Vaxcel reserves the right to repair, replace or issue a credit for any properly installed product, provided it is returned per RMA instruction. This warranty is limited to the cost of the product only and does not extend to transportation, installation or replacement costs.

How can warranty service be obtained for your ceiling fan?

info@vaxcel.com

1-800-482-9235