

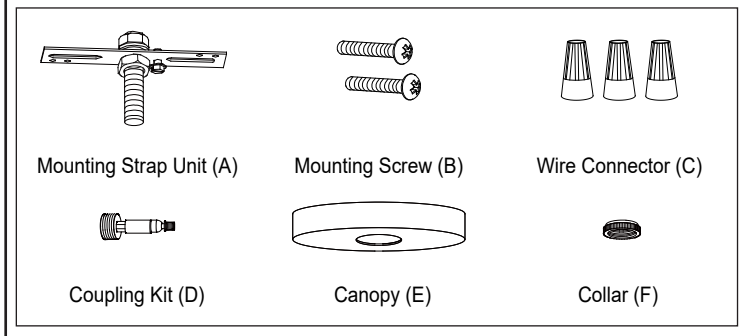
ASSEMBLY AND INSTALLATION INSTRUCTIONS

P0418 / P0419

WARNING: TO AVOID RISK OF ELECTRICAL SHOCK, BE SURE TO SHUT OFF POWER BEFORE INSTALLING OR SERVICING THIS FIXTURE.

NOTE: 1. Before installing, consult local electrical codes for wiring and grounding requirements.
2. Read and save these instructions.

Hardware Package (included):

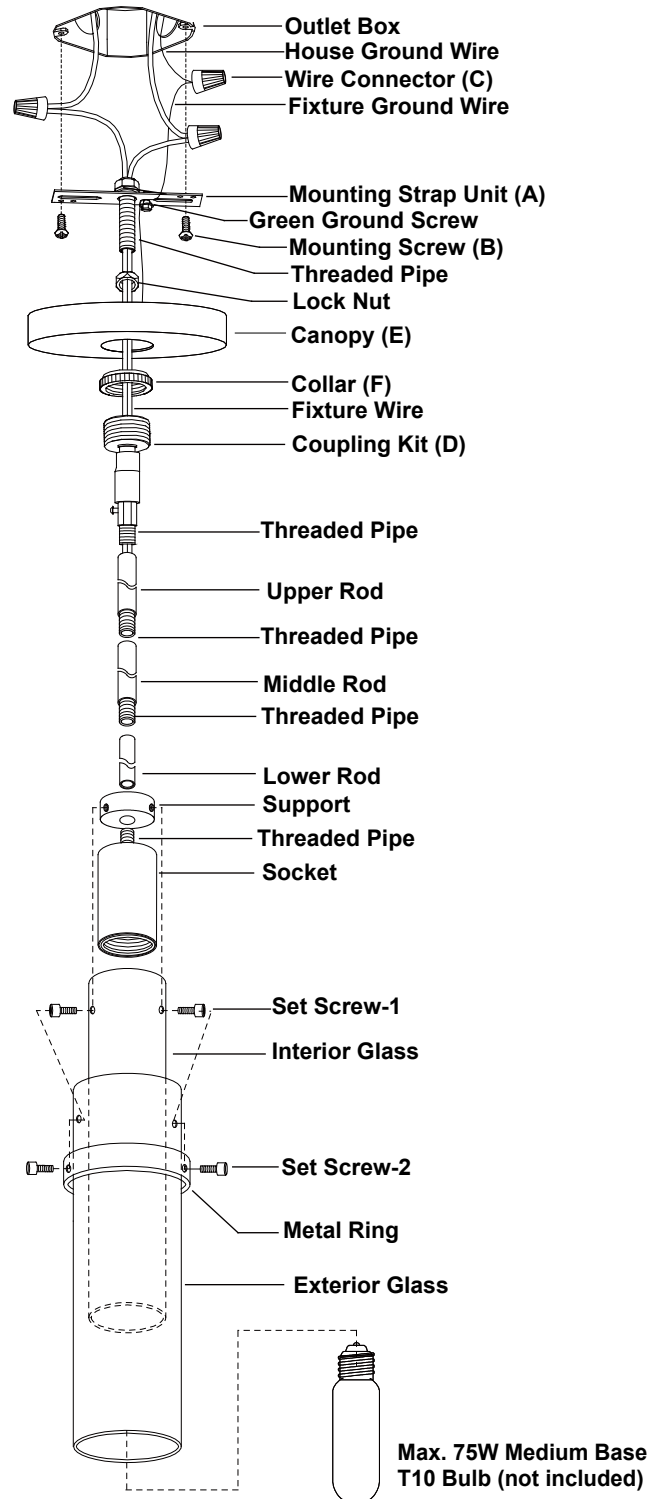


Installation Steps

Turn off the power at fuse or circuit box.

1. Rod Connections:
 - a. Thread the fixture wire from the socket through the support and lower rods, then secure the lower rod onto socket using the threaded pipe.
 - b. Thread the fixture wire through the threaded pipe and middle rod, and then secure the middle rod onto the lower rod using the threaded pipe.
 - c. Thread the fixture wire through the threaded pipe and upper rod, and then secure the upper rod onto the middle rod using the threaded pipe.

The height can be adjustable to 23-1/2"~42-1/2", by using the rods.
2. Thread the fixture wire through the coupling kit (D), collar (F), canopy (E), then secure the rod assembly to the coupling kit (D) using the threaded pipe.
3. Thread the fixture wire through the mounting strap unit (A). Install the lock nut onto one end of the threaded pipe leaving about 3/8" (10mm) thread exposed. Screw the exposed threaded pipe into coupling kit (D), secure threaded pipe by tightening lock nut.
4. Attach the mounting strap unit (A) to outlet box by using two mounting screws (B). Adjust the length of the preinstalled threaded pipe if necessary.
5. Pull out the source wires from the outlet box. Make wire connections using wire connectors (C) as follows:
 - Connect the hot wire (black insulation) from the fixture to the black wire from the power source.
 - Connect the neutral wire (white insulation) from the fixture to the white wire from the power source.
 - Attach the fixture ground wire (bare wire) to the mounting strap unit (A) with the green ground screw, then depending on local code, connect it to the house ground wire with the wire connector (C). Carefully put all of the wires back into the outlet box.



6. Attach the canopy (E) to the mounting strap unit (A), and secure it with the collar (F).

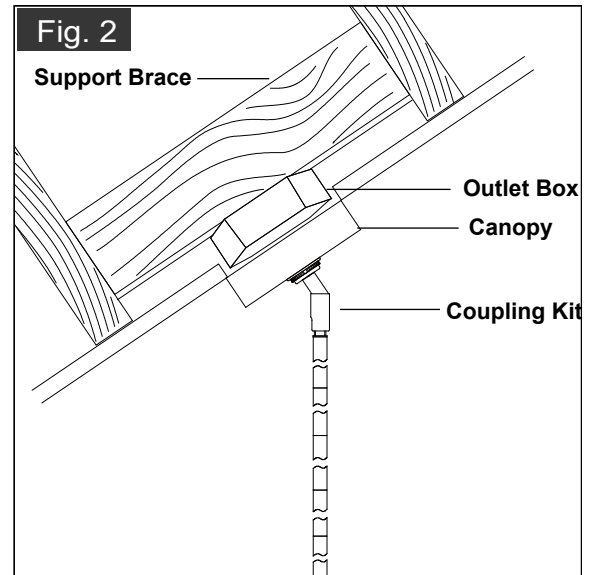
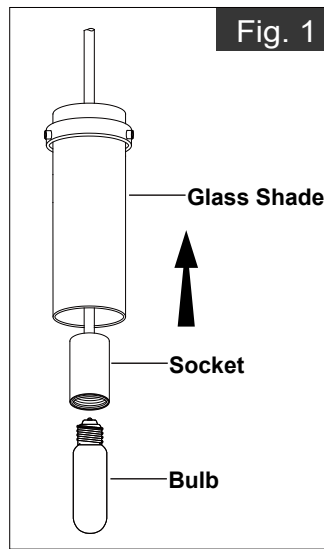
7. Attach the interior glass shade to the support, thread the three set screws-1 through each holes of interior glass shade, and then secure them into the support.

8. Attach the exterior glass shade and metal ring to the set screws-1 of interior glass shade, then thread the three set screws-2 through each holes of metal ring and exterior glass shade, secure them into the set screws-1.

9. Pushing up the glass shade, make the socket to show outside the glass shade.

10. Install 1 x 75W Max. medium base bulb (not included). See relamping label at socket area or packaging for maximum wattage allowed. (See Fig. 1)

11. Angled mounting recommended for a vaulted or angled ceiling. (See Fig. 2)

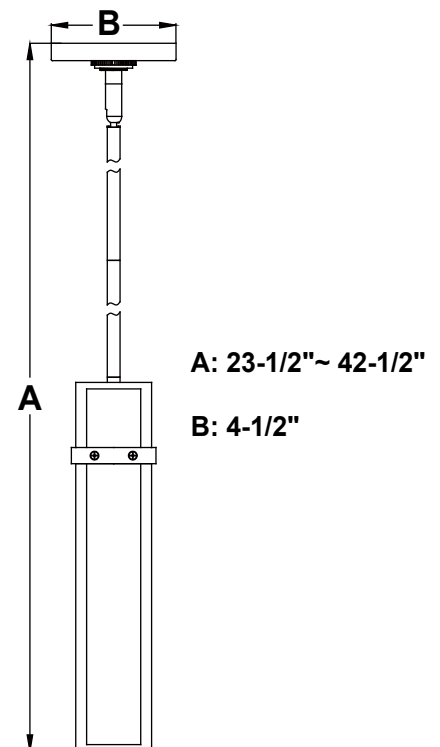


Turn on the power at fuse or circuit box.

The following parts are available for reorder if damaged or missing.

Spare Parts List:

			Assembly Kit 6865MM (1 SET) for P0418 6866MM (1 SET) for P0419
Mounting Strap Unit (A)	Mounting Screw (B)	Wire Connector (C)	
			Exterior Glass 9462CW
Coupling Kit (D)	Canopy (E)	Collar (F)	
			Interior Glass 9463FO
9-1/2" Rod 3398RD for P0418 3399RD for P0419	Set Screw-1 6861SS for P0418 6863SS for P0419	Set Screw-2 6862SS for P0418 6864SS for P0419	



1 Year Warranty

Vaxcel warrants all of our products against defects in workmanship and finishes for one year following the date of shipment.

Exclusions: This warranty does not include the failure of products from extreme acts of nature; environmental conditions not suited for the products intended use; operation in temperatures outside of the range specified in the instruction manual; usage with improper power supply, power surges or dips. For coastal locations, some corrosion is considered normal for the environment.

Vaxcel reserves the right to repair, replace or issue a credit for any properly installed product, provided it is returned per RMA instruction. This warranty is limited to the cost of the product only and does not extend to transportation, installation or replacement costs.

How can warranty service be obtained?
 info@vaxcel.com
 1-800-482-9235

