

# ASSEMBLY AND INSTALLATION INSTRUCTIONS

H0195 / H0196

**WARNING:** TO AVOID RISK OF ELECTRICAL SHOCK, BE SURE TO SHUT OFF POWER BEFORE INSTALLING OR SERVICING THIS FIXTURE.

**NOTES:** 1. Before installing, consult local electrical codes for wiring and grounding requirements.  
2. READ AND SAVE THESE INSTRUCTIONS.

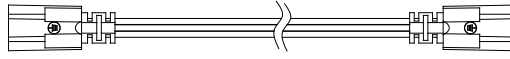
## Hardware Package (Included):



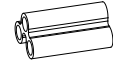
Anchor (A)



Dry Wall Screw (B)



Linking Cord (C)



Plastic Connector (D)

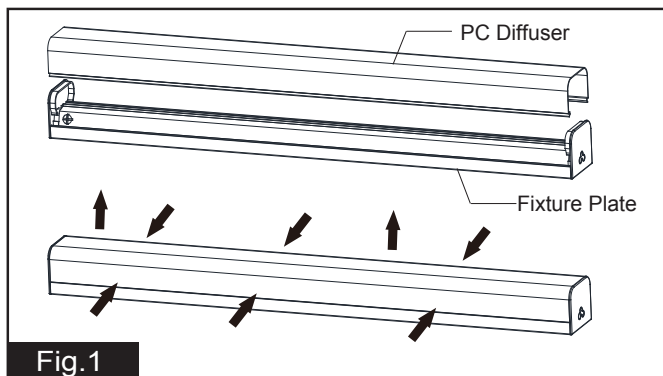
## Important to Know

1. Read all instructions carefully before installation and operation.
2. If you are not familiar with state and local electrical codes, it is recommended that you consult with a qualified electrician.
3. Units can be linked together in series from one power supply. Link up to 24pcs x 24" bar lights (#H0195) together, link up to 24pcs x 48" bar lights (#H0196) together, or link combination of sizes together.
4. Do not use in wet locations, use indoors only.
5. Non-replaceable LEDs.
6. Caution: LEDs emit bright light. Avoid looking directly into the light source for prolonged periods to avoid eye damage.
7. Not to be used with a dimming circuit or any other electronically controlled switch.
8. Specification:

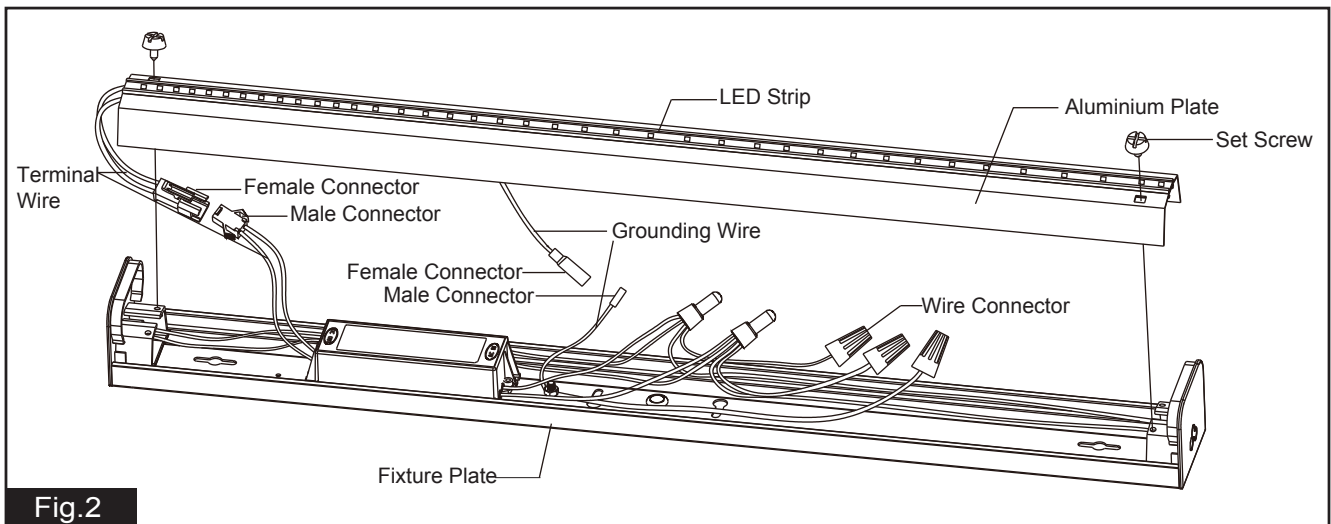
NO.	Item #.	Dimension(inch)			Watts	
		A	B	C		
1	H0195	24	2	2.5	13.5W	
2	H0196	48	2	2.5	30W	

## Installation Steps

Turn off the power at fuse or circuit box.

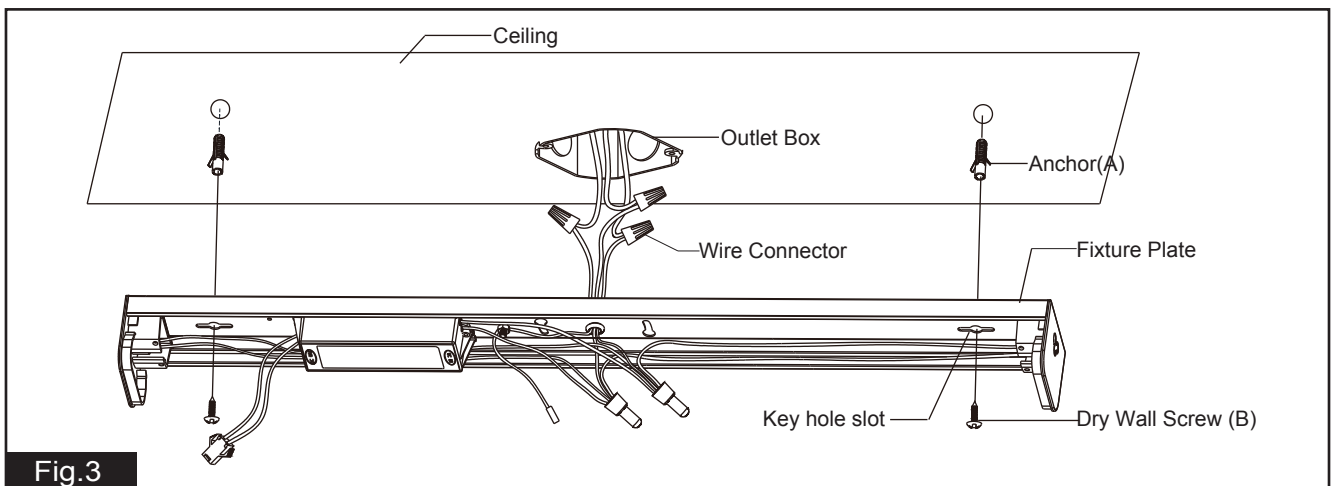


1. Open the PC diffuser by squeezing and pulling out. Remove the hardware package which locate in fixture.



**Fig. 2**

2. Remove the set screws on each side and then detach the aluminum plate. Remove the hardware pack from fixture, unplug two connectors to separate the terminal wires and grounding wire inside the fixture plate.



**Fig. 3**

3. Attach the fixture plate to the location where you want to install, mark the target where is for two anchors to secure fixture plate to the ceiling. Remove the fixture plate and drill two holes on the target, hammer the anchors to target holes tightly, then secure the dry wall screws to anchors in part way. (See Fig.3)
4. Remove three wire connectors from three wires, then thread these three wires through the center hole of fixture plate.(See Fig.3)
5. Pull out the source wires from the outlet box. Make wire connections using wire connectors as follows:
  - Connect the hot wire (usually black insulation) from the fixture to the black wire from the power source.
  - Connect the neutral wire (usually white insulation) from the fixture to the white wire from the power source.
  - Connect the fixture grounding wire (usually green insulation or bare wire) to the house grounding wire from the power source.
 Carefully put the wires back into the outlet box.(See Fig.3)
6. Attach fixture plate to ceiling by inserting two dry wall screw heads into key hole slots, then slide the fixture plate to left or right until the heads of the dry wall screw are located into narrow ends of the key hole slot. (See Fig.3)
7. Use a screwdriver (not included) to tighten the dry wall screws. (See Fig.3)

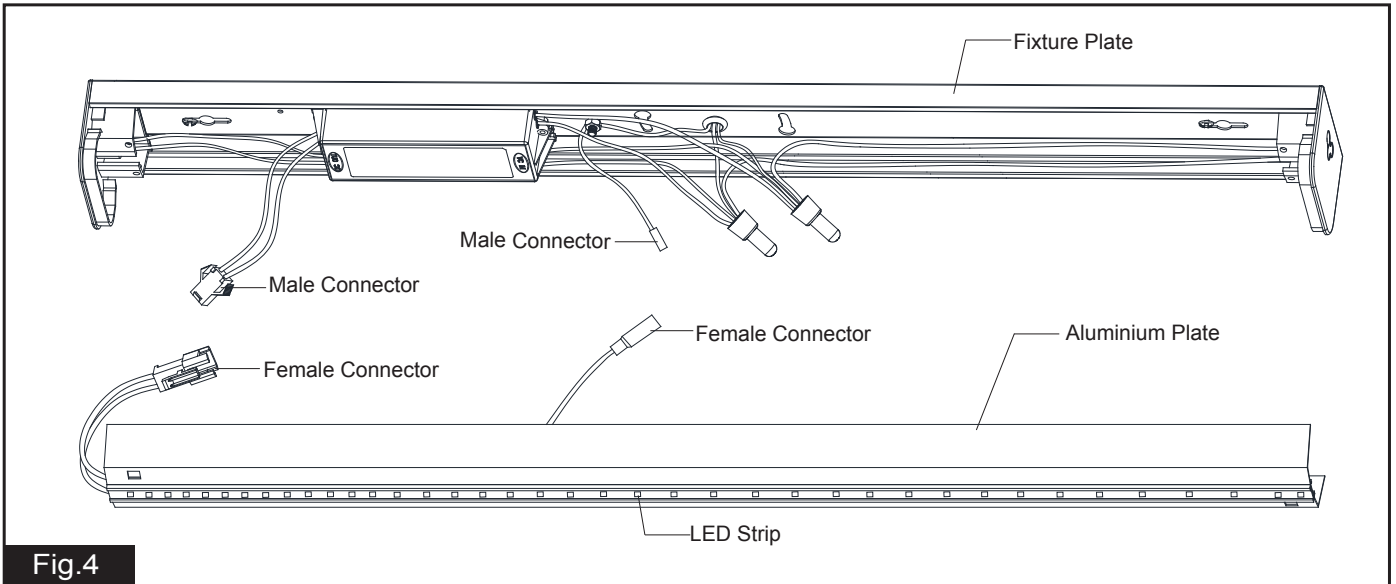


Fig.4

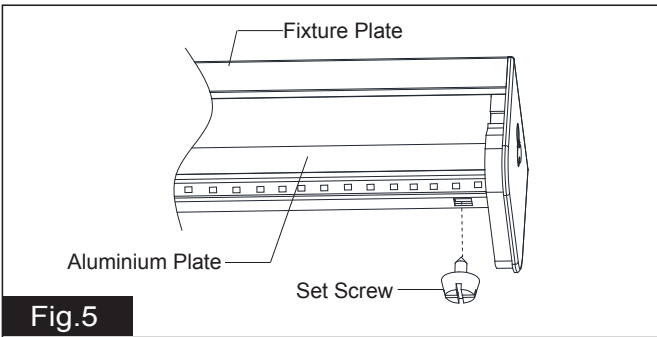


Fig.5

8. Plug the male connectors into female connectors. Attach the aluminium plate to fixture plate, and then secure it with two set screws. (See Fig.4,5)

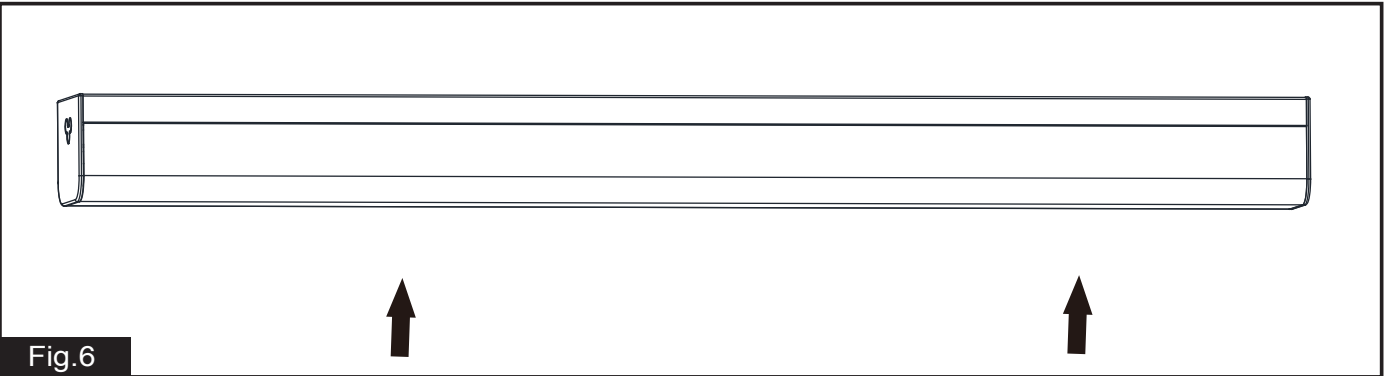


Fig.6

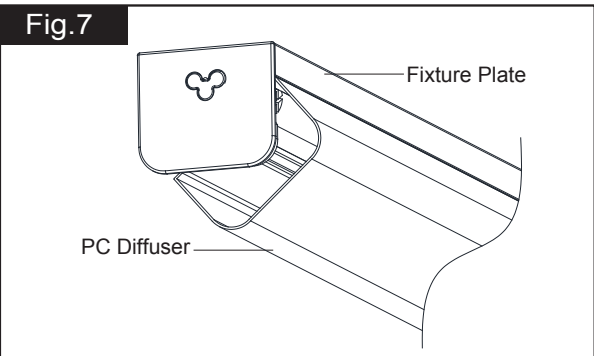
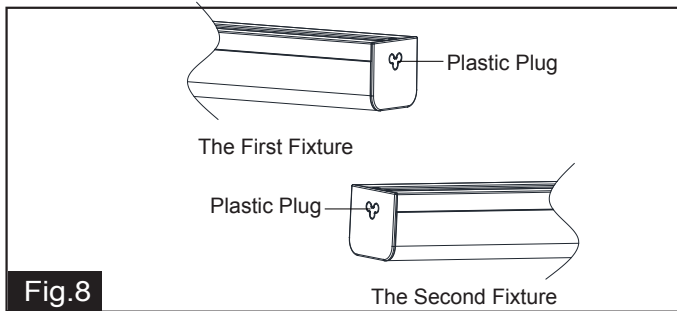


Fig.7

9. Attach the PC diffuser back to fixture plate, withhold one side of PC diffuser into fixture plate, then squeeze and push the other side of PC diffuser to fixture plate. (See Fig.6,7)

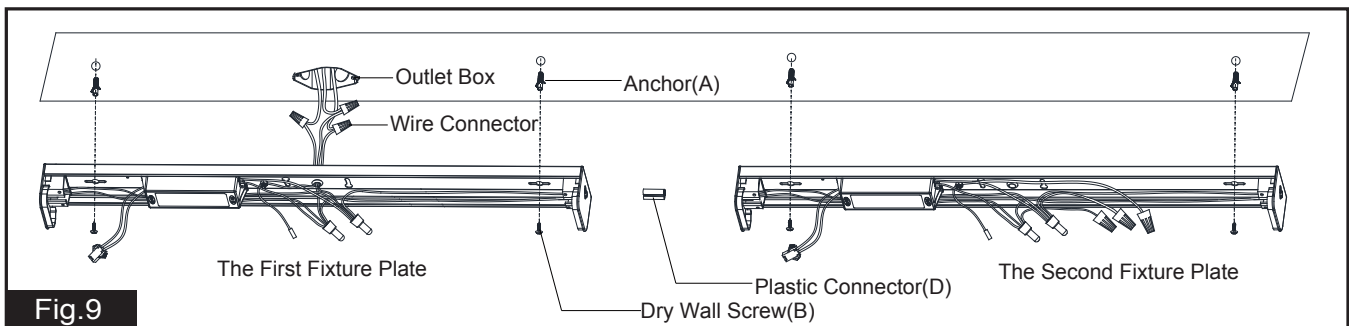
## Connecting fixture to fixture:

The LED strip lighting fixtures can be connected together in series using included plastic connector or linking cord. Link up to 24pcs x 24" bar lights (#H0195) together, link up to 24pcs x 48" bar lights (#H0196) together or link combination of sizes together.



Remove the plastic plugs from fixtures, where need plug plastic connector or linking cord into LED light fixture.

### A. Using plastic connector:



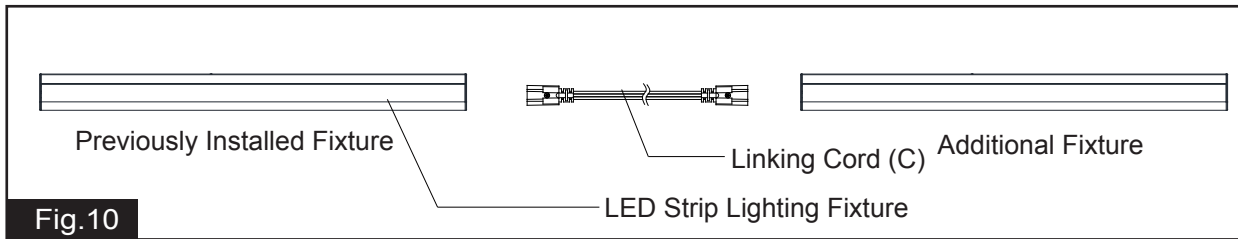
Using plastic connectors to connect two more LED strip lighting fixtures: (Take two fixtures as example)

**Turn off the power at fuse or circuit box.**

1. Follow step 1,2 of instructions of single fixture installation.
2. Plug the plastic connector into the first fixture, and then connect with the second fixture.
3. Attach the two connected fixture plates to the location where you want to install, mark the target where is for four anchors to secure connected fixture plates to the ceiling. Remove the connected fixture plates and drill four holes on the target, hammer the anchors to target holes tightly, then secure the dry wall screws to anchors in part way. (See Fig.9)
4. Remove three wire connectors from three wires in the first fixture, then thread these three wires through the center hole of the first fixture plate.(See Fig.9)
5. Pull out the source wires from the outlet box. Make wire connections using wire connectors as follows:
  - Connect the hot wire (usually black insulation) from the fixture to the black wire from the power source.
  - Connect the neutral wire (usually white insulation) from the fixture to the white wire from the power source.
  - Connect the fixture grounding wire (usually green insulation or bare wire) to the house grounding wire from the power source.Carefully put the wires back into the outlet box.(See Fig.9)
6. Attach connected fixture plates to ceiling by inserting four dry wall screw heads, then slide the connected fixture plates together to left or right until the heads of the dry wall screw are located into narrow ends of the key hole slot. (See Fig.9)
7. Use a screwdriver (not included) to tighten the dry wall screws. (See Fig.9)
8. Follow step 8,9 of instructions of single fixture installation for two fixtures.

**Turn on the power at fuse or circuit box.**

## B. Using linking cord:



**Fig.10**

Using linking cord to connect two more LED strip lighting fixtures:

Each additional fixture (not included) should be mounted in the same way as the previously installed fixture. Once installed, attach the linking cord (12 inches) into the input receptacles between the previously installed fixture and the additional fixture . (See Fig.10)

Make sure the distance between LED strip lighting fixtures does not exceed the linking cord length.

## Care and Maintenance

Caution: Before attempting to clean the fixture, disconnect the power to the fixture by turning the breaker off or removing the fuse from the fuse box.

This LED light fixture is made from quality materials that will last many years with minimum care. You may want to periodically clean the fixture with a soft cloth. To maintain the best appearance of the fixture, do not use cleaners with chemicals, solvents or harsh abrasives. Do not use liquid cleaner on the LEDs, LED drive, or wiring inside the light fixture.

## Troubleshooting

PROBLEM	POSSIBLE CAUSE	CORRECTIVE ACTION
The fixture will not light	The power is off.	Check to ensure the power supply is on
	The circuit breaker is off.	Check to ensure the circuit breaker is in the on position
	There is a bad connection.	Check to ensure proper wire connections are made. Contact a qualified electrician.
	There is a defective switch.	Contact a qualified electrician.
The fuse blows or circuit breaker trips when the light is turn on.	The wires are crossed or the power wire is grounding out.	Check to ensure proper wire connections are made. Contact a qualified electrician.

The following parts are available for re-order if damaged or missing.

**Contents of Spare Parts:**

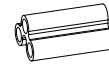


Anchor (A)



Dry Wall Screw(B)

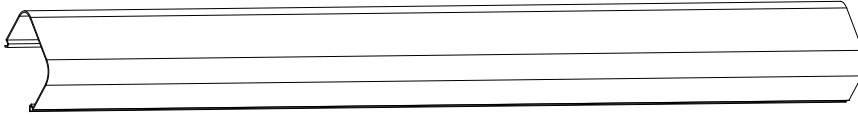
Assembly Kit  
5403MM (1 SET)



Plastic Connector(D)  
7120PC(1PC)



Linking Cord (C)  
7121LC(1PC)



Plastic Lens  
9743PL(1PC) FOR H0195  
9744PL(1PC) FOR H0196



Plastic Plug  
5413PA (2PCS)

**5-YEAR LIMITED WARRANTY:**

All products are warranted to be free of defects in material and workmanship for five (5) years from date of purchase. This warranty is limited to the correction of any such defect, or the replacement of any such defective item(s), provided that: (a) we are properly notified and consent to return of the item(s) in question:(b) the item (s) is / are returned with proof of purchase date; and (c) it is found upon inspection by us that the item (s) is / are defective as noted above. This warranty dose not cover labor costs, consequential damages, nor dose it apply to any item(s) that have been improperly installed, overloaded, altered, or otherwise abused by the customer, its agent(s) or emplyee(s). Finishes are specially excluded from the terms of this warranty since they are subject to environmental maintenance deemed beyond our control. Other than the described obligation, we assume no further liability with respect to the sale or use of our products.We make no warranty, express or implied, and disclaim any warranty of merchantability or fitness for a particular purpose.