

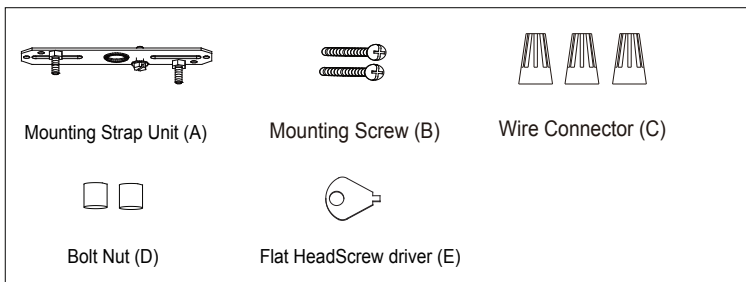
ASSEMBLY AND INSTALLATION INSTRUCTIONS

P0377

WARNING: TO AVOID RISK OF ELECTRICAL SHOCK, BE SURE TO SHUT OFF POWER WHILE INSTALLING OR SERVICING THIS FIXTURE.

NOTES: 1. Before installing, consult local electrical codes for wiring and grounding requirements.
2. READ AND SAVE THIS INSTRUCTION.

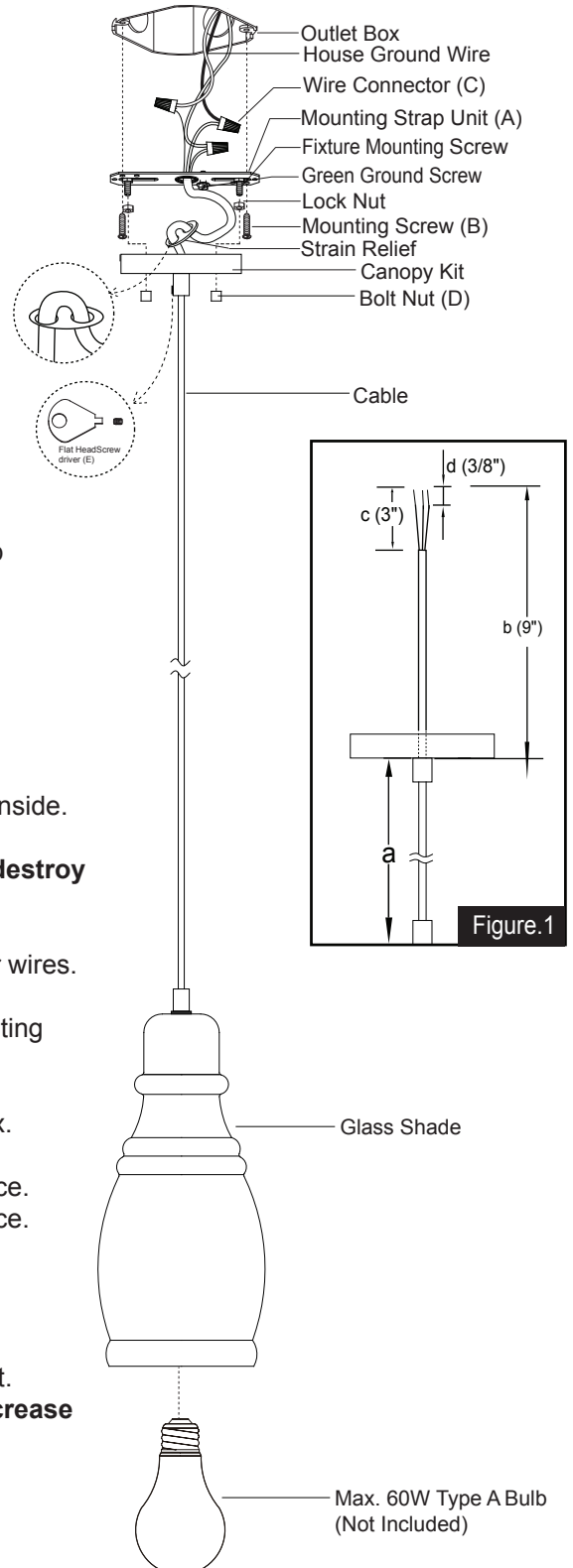
Hardware Package (included):



Installation Steps

Turn off the power at fuse or circuit box.

- Fastening cable by screwing plastic headless screw, using flat headscrew driver (E).
- Measure the desired length of the cable (a) from the canopy to the top side of the cap nut and leave an additional 9" of cable (b) above the canopy (include the canopy), then cut off the unnecessary cable. (See Figure 1)
- Adjust strain relief at 9" position from the top of the cord.
- Mark the 3" of cord (c) from the top of the cord (b). Use a knife to peel off the insulation of the cord (c) carefully to expose the 3 wires on the inside. (See Figure 1)
Caution: Cutting too deep may cut off the three inside wires and destroy the insulation surface of the three inside wires.
- Peel off the wire from the top about 3/8" long (d) to expose the copper wires.
- Attach the mounting strap unit (A) to the outlet box by using two mounting screws (B).
- Pull out the outlet wires and the house ground wire from the outlet box. Make wire connections using the wire connector (C):
 - The black wire from the fixture to the black wire from the power source.
 - The white wire from the fixture to the white wire from the power source.
 - The green ground wire from the fixture to the green ground wire from power source.
 Carefully put wires back into the outlet box.
- Pull the cord (a) down slightly until the strain relief touches the hex nut.
Note: Adjusting the strain relief of the canopy can decrease or increase the length of cord that is exposed.



9. Attach the fixture canopy to the mounting strap unit (A) by inserting the screws, and secure it with two bolt nuts (D).


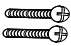



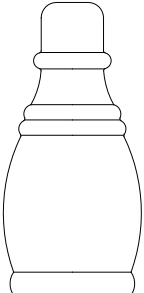
10. Install 1 x 60W Max. medium base bulb (not included).

See relamping label at socket area or packaging for maximum wattage allowed.

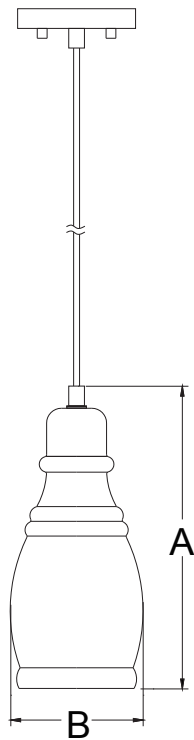
Turn on the power at fuse or circuit box.

The following parts are available for re-order if damaged or missing.

Spare Parts List:

| | | |
|--|--|---|
|  Mounting Strap Unit (A) |  Mounting Screw (B) |  Wire Connector (C) |
|  Bolt Nut (D) |  Flat HeadScrew driver (E) |  Glass Shade 10330SG |

Mounting Hardware
6587MM (1 SET)



A: 11-3/4"

B: 5-1/4"