

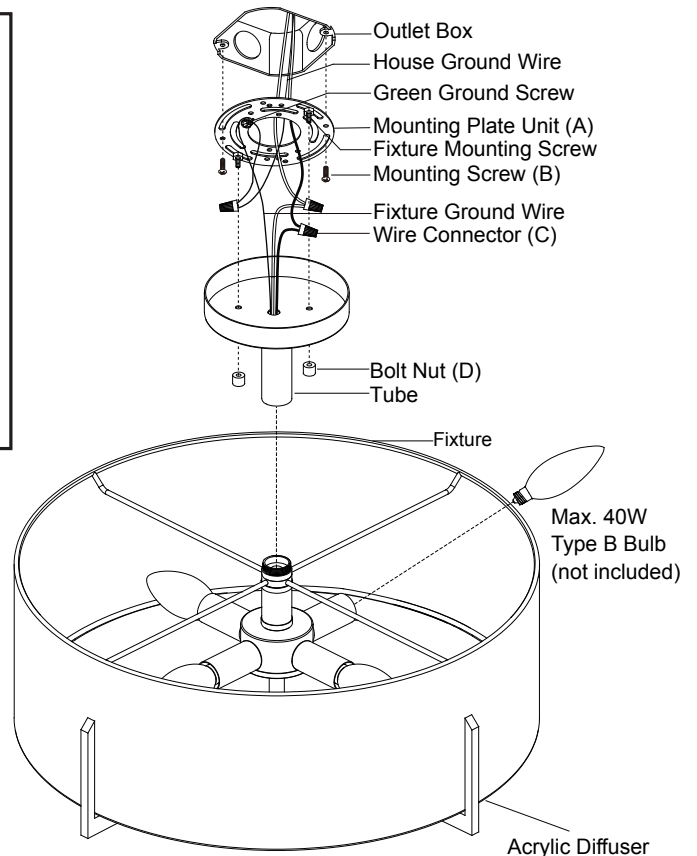
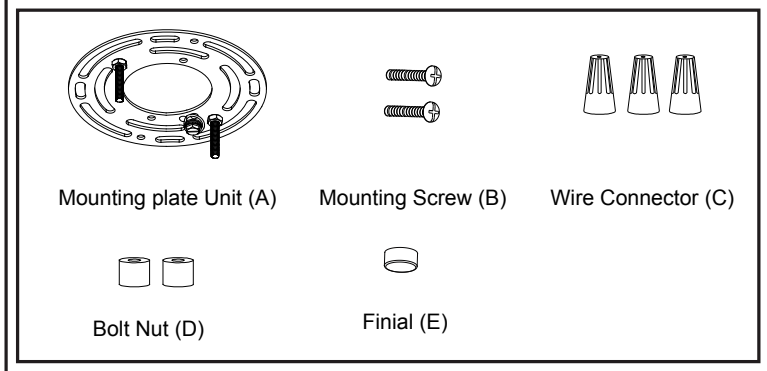
ASSEMBLY AND INSTALLATION INSTRUCTIONS

C0277

WARNING: TO AVOID RISK OF ELECTRICAL SHOCK, BE SURE TO SHUT OFF POWER WHILE INSTALLING OR SERVICING THIS FIXTURE.

NOTE: 1. Before installing, consult local electrical codes for wiring and grounding requirements.
2. READ AND SAVE THIS INSTRUCTIONS.

Hardware Package (included):



Installation Steps

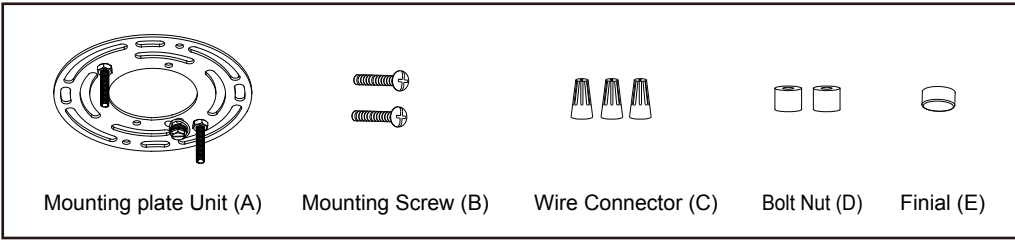
Turn off the power at fuse or circuit box

1. Unscrew the bolt nuts(D), take out the mounting plate unit (A) and then attach to the outlet box by using two mounting screws (B).
2. Connect the tube to the fixture.
3. Pull out the source wires from the outlet box.
Make wire connections using wire connectors (C) as follows:
 - Connect the hot wire (black insulation) from the power source to the black wire from the fixture.
 - Connect the neutral wire (white insulation) from the power source to the white wire from the fixture.
 - Attach the fixture ground wire (bare wire) to the mounting plate with the green ground screw, or connect to the source ground wire if available.Carefully put the wires back into the outlet box.
4. Install 4 x 60W Max. candelabra base bulbs (not included). See relamping label at socket area or packaging for maximum wattage allowed.
5. Attach the fixture onto the mounting strap unit (A) and tighten it with two bolt nuts (D).
6. Attach the fixture to the mounting plate unit (A) by inserting the finial (E).
NOTE: Depth of threaded pipe may need to be adjusted to properly fit the finial.

Turn on the power at fuse or circuit box

The following parts are available for re-order if damaged or missing.

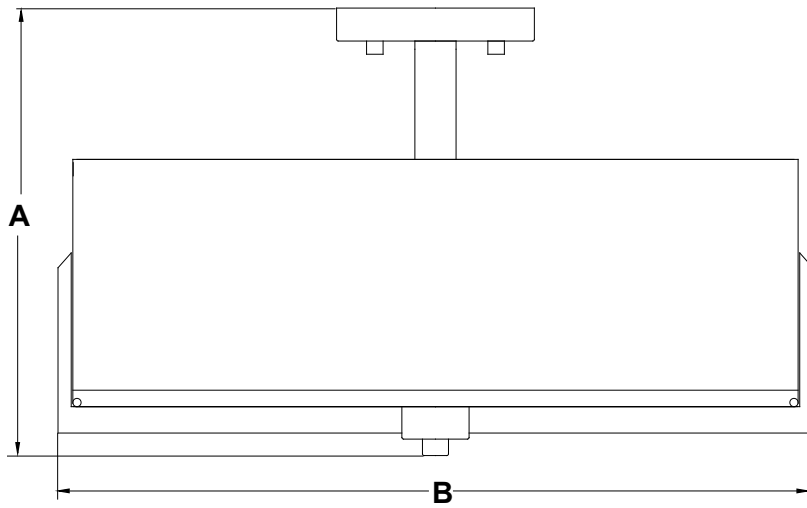
Spare Parts List:



→ Mounting Hardware
6588MM (1SET)



Acrylic Diffuser
10332AC



A: 9-3/4"

B: 18"