

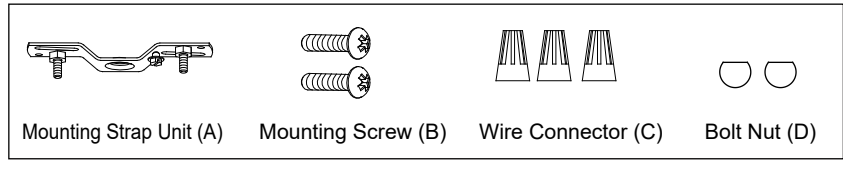
ASSEMBLY AND INSTALLATION INSTRUCTIONS

P0344

WARNING: TO AVOID RISK OF ELECTRICAL SHOCK, BE SURE TO SHUT OFF POWER WHILE INSTALLING OR SERVICING THIS FIXTURE.

NOTES: 1. Before installing, consult local electrical codes for wiring and grounding requirements.
2. READ AND SAVE THESE INSTRUCTIONS.

Hardware Package (included):



Installation Steps

Turn off the power at fuse or circuit box.

1. Attach mounting strap unit (A) to outlet box using two mounting screws (B).

2. Rod Connections:

- Thread the fixture wire from the fixture through the lower rod, and then secure the lower rod onto fixture using the threaded pipe.
- Thread the fixture wire through the middle rod, and then secure the middle rod onto the lower rod using the threaded pipe.
- Thread the fixture wire through the upper rod, and then secure the upper rod onto the middle rod using the threaded pipe.

Note: Length adjustable from 31" to 79". Use fewer rods if shorter length is desired.

3. Thread the fixture wire through coupling kit, canopy, then secure the rod assembly to the coupling kit.

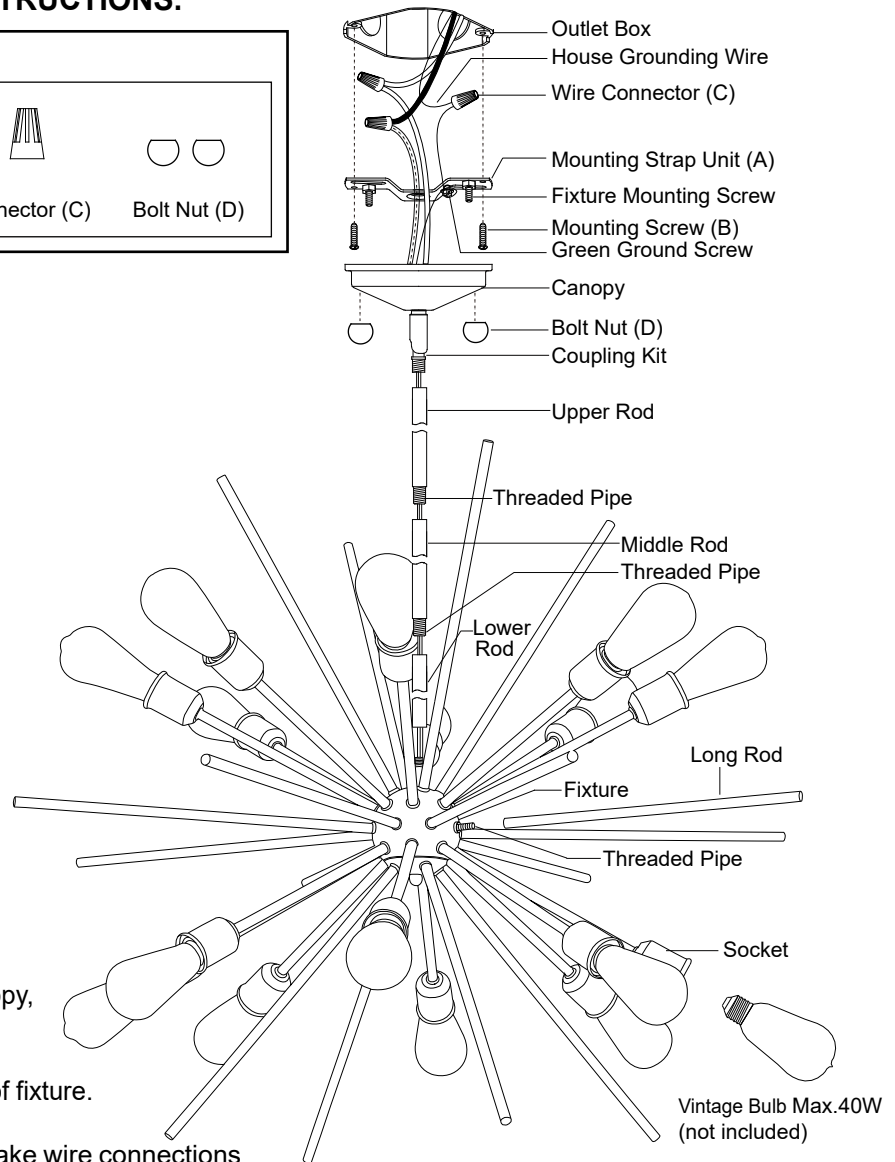
4. Screw 16 long rods to the other threaded pipes of fixture.

5. Pull out the source wires from the outlet box. Make wire connections using wire connectors (C) as follows:

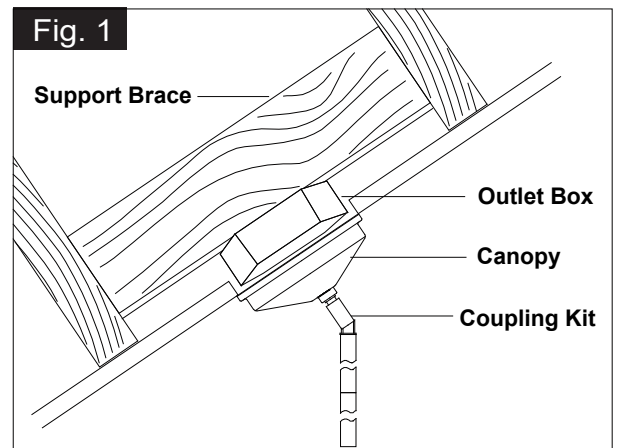
- Connect the smooth-coated wire (marked) from the fixture to the black wire from the power source.
 - Connect the ribbed-coated wire (unmarked) from the fixture to the white wire from the power source.
 - Attach the fixture ground wire to the mounting strap unit (A) with the green ground screw, then connect it to the house ground wire with a wire connector (C).
- Carefully put the wires back into the outlet box.

6. Attach the canopy to the mounting strap unit (A), then secure it with two bolt nuts (D).

7. Install bulbs (not included). See relamping label at socket area or packaging for maximum wattage allowed .



8. Angled mounting recommended for a vaulted or angled ceiling.
(See Fig. 1)

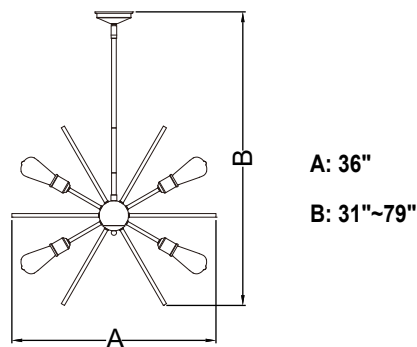


Turn on the power at fuse or circuit box.

The following parts are available for re-order if damaged or missing.

Spare Parts List:

				← Assembly Kit 6281MM (1SET)
Mounting Strap Unit (A)	Mounting Screw (B)	Wire Connector (C)	Bolt Nut (D)	
12"Rod 3233RD	6"Rod 3232RD	3"Rod 3231RD	Long Rod 405mm 3234RD	



1 Year Warranty

Vaxcel warrants all of our products against defects in workmanship and finishes for one year following the date of shipment.

Exclusions: This warranty does not include the failure of products from extreme acts of nature; environmental conditions not suited for the products intended use; operation in temperatures outside of the range specified in the instruction manual; usage with improper power supply, power surges or dips. For coastal locations, some corrosion is considered normal for the environment.

Vaxcel reserves the right to repair, replace or issue a credit for any properly installed product, provided it is returned per RMA instruction. This warranty is limited to the cost of the product only and does not extend to transportation, installation or replacement costs.

How can warranty service be obtained?
info@vaxcel.com
1-800-482-9235