

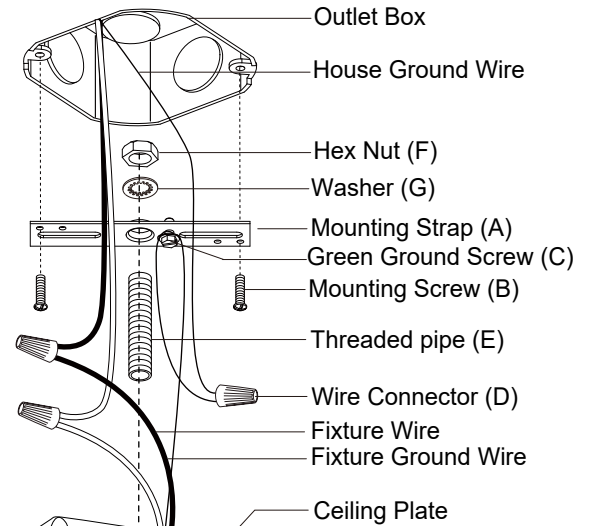
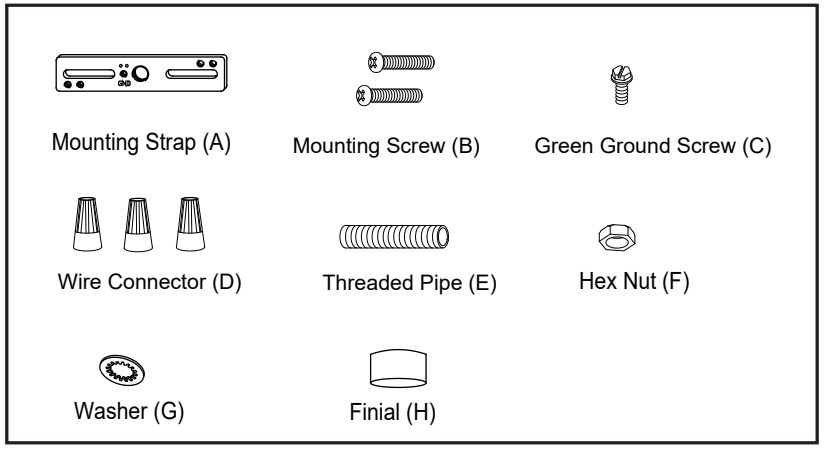
ASSEMBLY AND INSTALLATION INSTRUCTIONS

C0241

WARNING: TO AVOID RISK OF ELECTRICAL SHOCK, BE SURE TO SHUT OFF POWER BEFORE INSTALLING OR SERVICING THIS FIXTURE.

NOTES: 1. Before installing, consult local electrical codes for wiring and grounding requirements.
2. READ AND SAVE THESE INSTRUCTIONS.

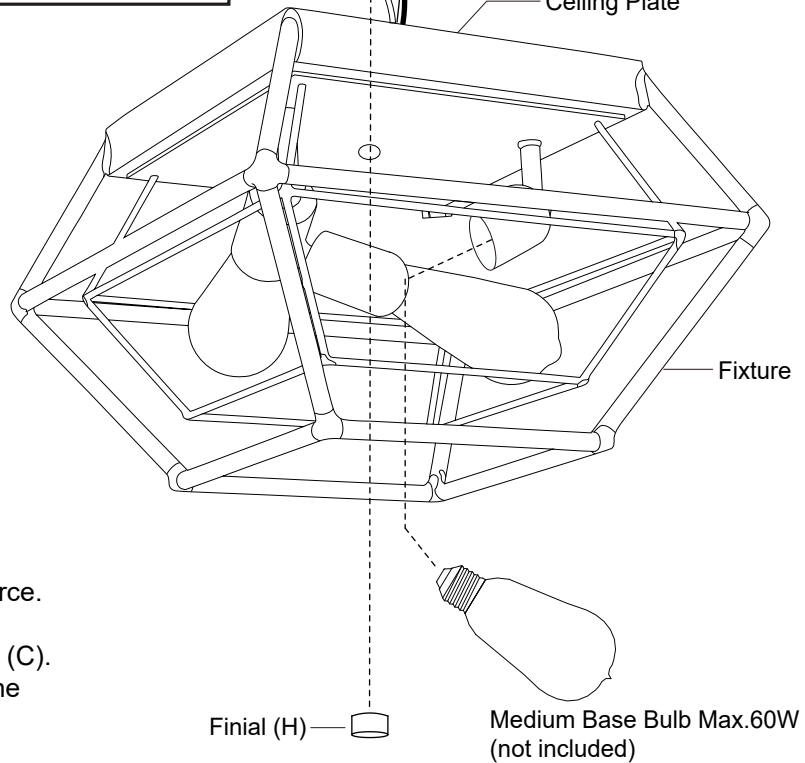
Hardware Package (included):



Installation Steps

Turn off the power at fuse or circuit box.

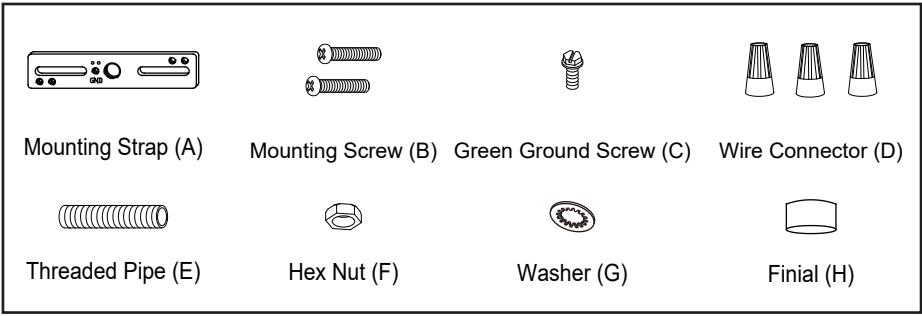
1. Attach the threaded pipe (E) to the mounting strap (A), then secure it with a washer (G) and hex nut (F).
2. Attach the mounting strap (A) to the outlet box using two mounting screws (B).
3. Pull out the wires and ground wire from the outlet box. Make wire connections using the wire connectors (D):
 - Connect the hot wire (black insulation) from the fixture to the black wire from the power source.
 - Connect the neutral wire (white insulation) from the fixture to the white wire from the power source.
 - Attach the fixture ground wire (bare wire) to the mounting strap (A) with the green ground screw (C). Then connect it to the house ground wire with the wire connector (D). Carefully put the wires back into the outlet box.
4. Attach the ceiling plate to the mounting strap (A) by inserting threaded pipe (E) into the center holes of the ceiling plate and screw the finial (H) to secure the ceiling plate.
5. Install bulbs (not included). See relamping label at socket area or packaging for maximum wattage allowed .



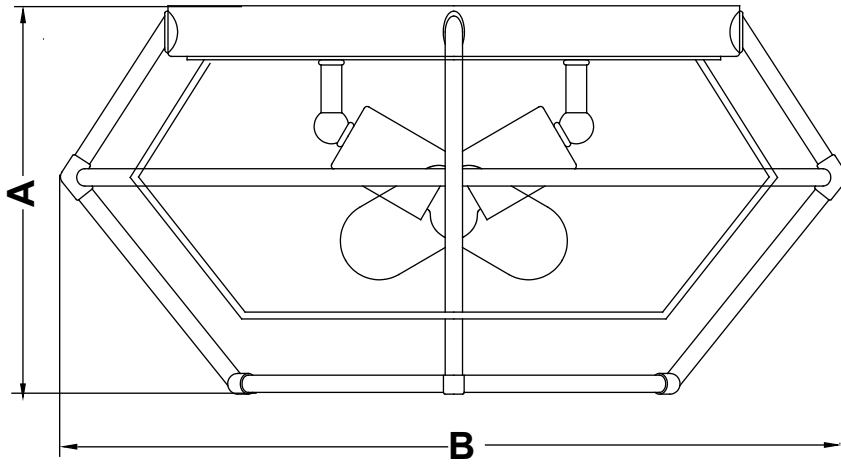
Turn on the power at fuse or circuit box

The following parts are available for re-order if damaged or missing.

Spare Parts List:



Assembly Kit
6180MM (1SET)



A: 18"
B: 8-3/4"