

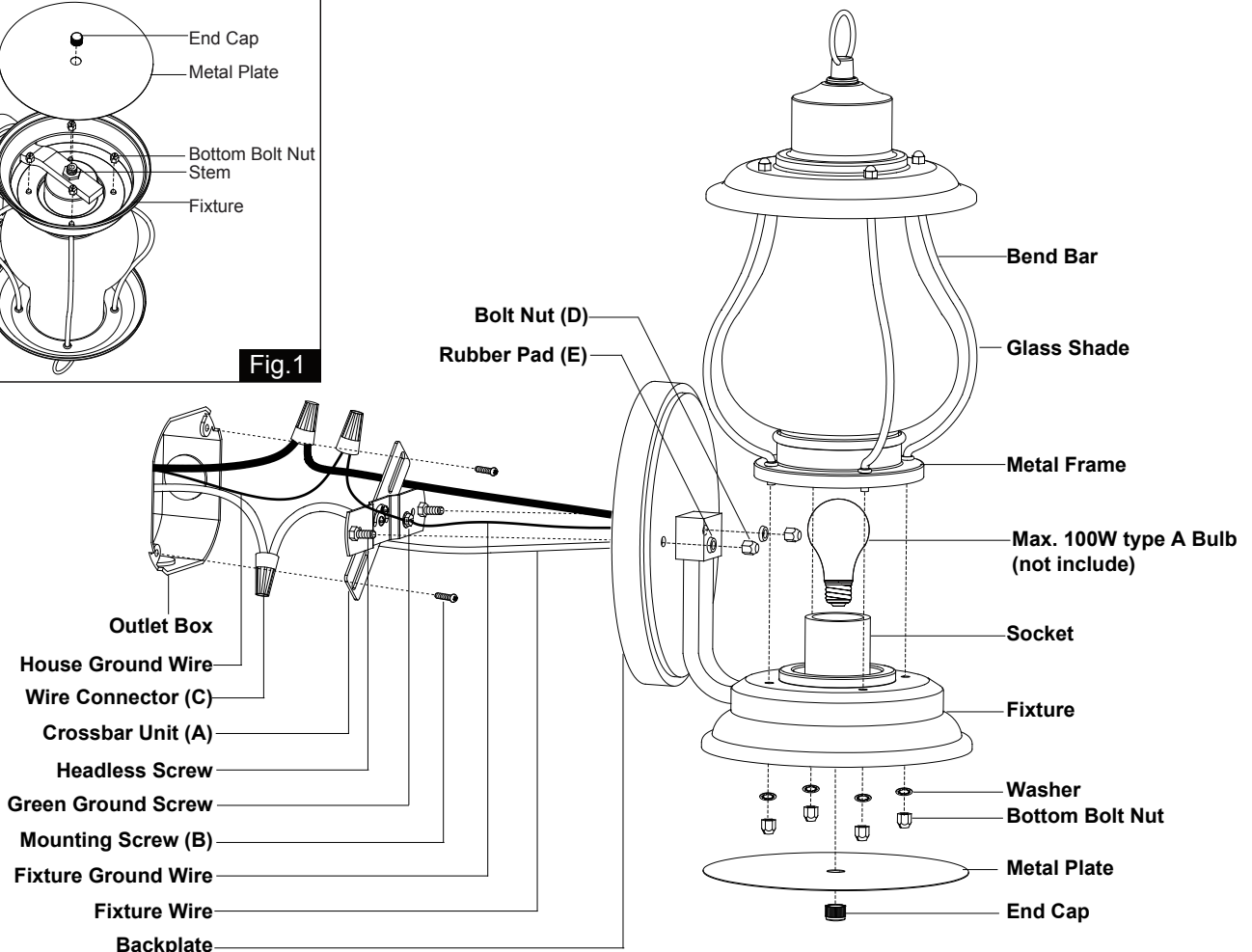
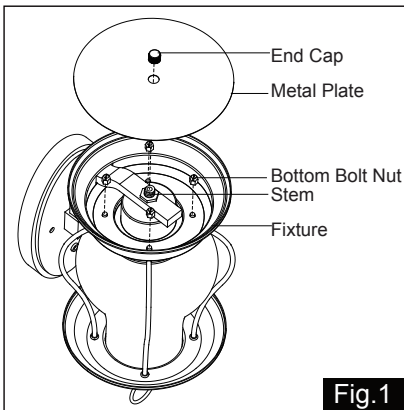
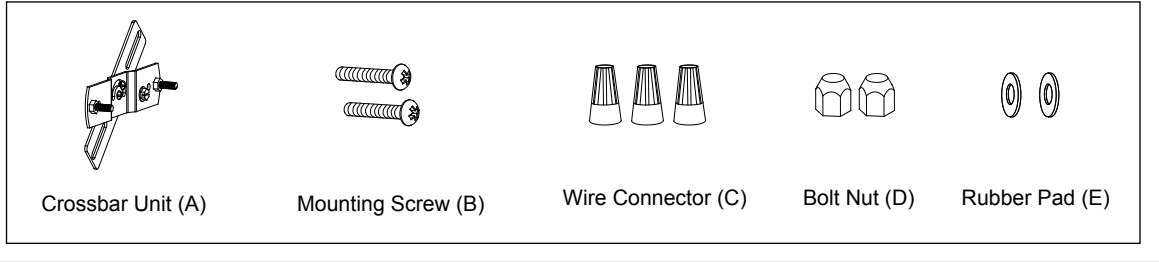
# ASSEMBLY AND INSTALLATION INSTRUCTIONS

T0216

**WARNING:** Turn off the main power at circuit breaker before installing fixture.  
**AVERTISSEMENT:** Coupez la source d'alimentation principale au panneau central de disjoncteurs avant d'installer le luminaire.

**NOTE:** 1. Before installing, consult local electrical codes for wiring and grounding requirements.  
 2. READ AND SAVE THESE INSTRUCTIONS.

## Hardware Package (included):



## Installation Steps

Turn off the power at fuse or circuit box

1. Remove the EVA plugged between glass shade and bend bars.
2. Unscrew the two bolt nuts (D), remove the two rubber pads (E) and the cross bar unit (A) from the backplate.

3. Attach the crossbar unit (A) to the outlet box by using two mounting screws (B). Adjust the length of the preinstalled headless screws if necessary.

**Note: Make sure that the headless screws are lined up horizontally to make the fixture level.**

4. Unscrew the end cap to remove the metal plate from bottom of fixture.

5. Unscrew the four bottom bolt nuts, remove the four washers and the metal frame from the fixture, using a slotted screwdriver if necessary (not included).

6. Install the bulb (not included). Check relamping label at socket area or packaging for maximum wattage allowed.

7. Attach the metal frame back to fixture, secure it with four washers and four bottom bolt nuts, using a slotted screwdriver if necessary (not included).

8. Attach the metal plate back to fixture, and then secure it with end cap.

9. Pull out the source wires from the outlet box. Make wire connections using wire connectors (C) as follows:

- Connect the hot wire (black insulation) from the fixture to the black wire from the power source.
- Connect the neutral wire (white insulation) from the fixture to the white wire from the power source.
- Attach the fixture ground wire (bare wire) to the crossbar unit (A) with the green ground screw. Then, depending on local code, then connect it to the house ground wire with the wire connector (C).

Carefully put all of the wires back into the outlet box.

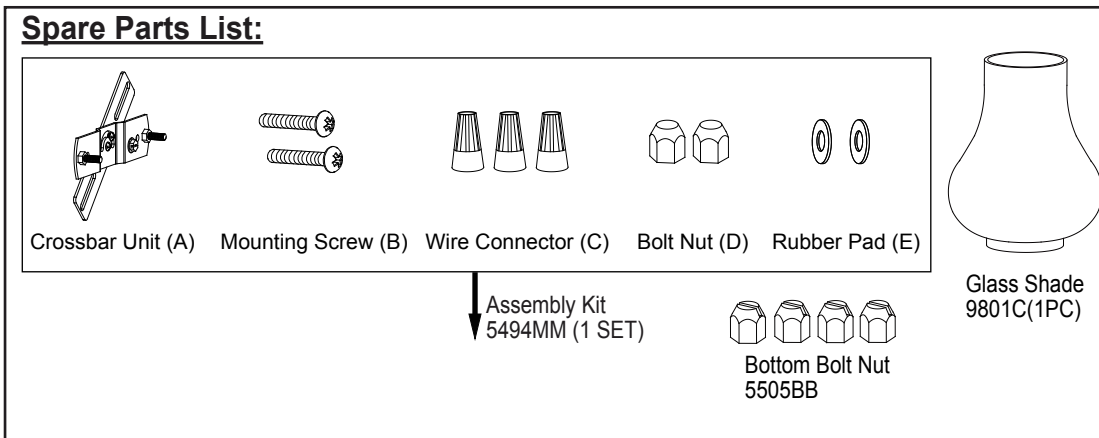
10. Attach the backplate of the fixture to the crossbar unit (A) by inserting headless screws into set holes on the backplate, then secure it with two rubber pads (E) and two bolt nuts (D).

**Note: With silicone caulking compound, caulk completely around where the backplate meets with the wall surface to prevent water from seeping into the outlet box.**

Turn on the power at fuse or circuit box

The following parts are available for reorder if damaged or missing.

**Spare Parts List:**

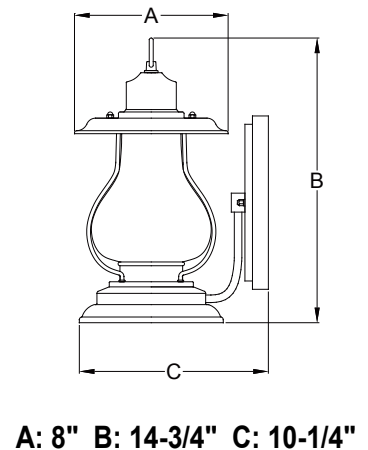


Crossbar Unit (A)    Mounting Screw (B)    Wire Connector (C)    Bolt Nut (D)    Rubber Pad (E)

Assembly Kit  
5494MM (1 SET)

Bottom Bolt Nut  
5505BB

Glass Shade  
9801C(1PC)



### 1 Year Warranty

Vaxcel warrants all of our products against defects in workmanship and finishes for one year following the date of shipment.

*Exclusions: This warranty does not include the failure of products from extreme acts of nature; environmental conditions not suited for the products intended use; operation in temperatures outside of the range specified in the instruction manual; usage with improper power supply, power surges or dips. For coastal locations, some corrosion is considered normal for the environment.*

*Vaxcel reserves the right to repair, replace or issue a credit for any properly installed product, provided it is returned per RMA instruction. This warranty is limited to the cost of the product only and does not extend to transportation, installation or replacement costs.*

How can warranty service be obtained?

info@vaxcel.com

1-800-482-9235