

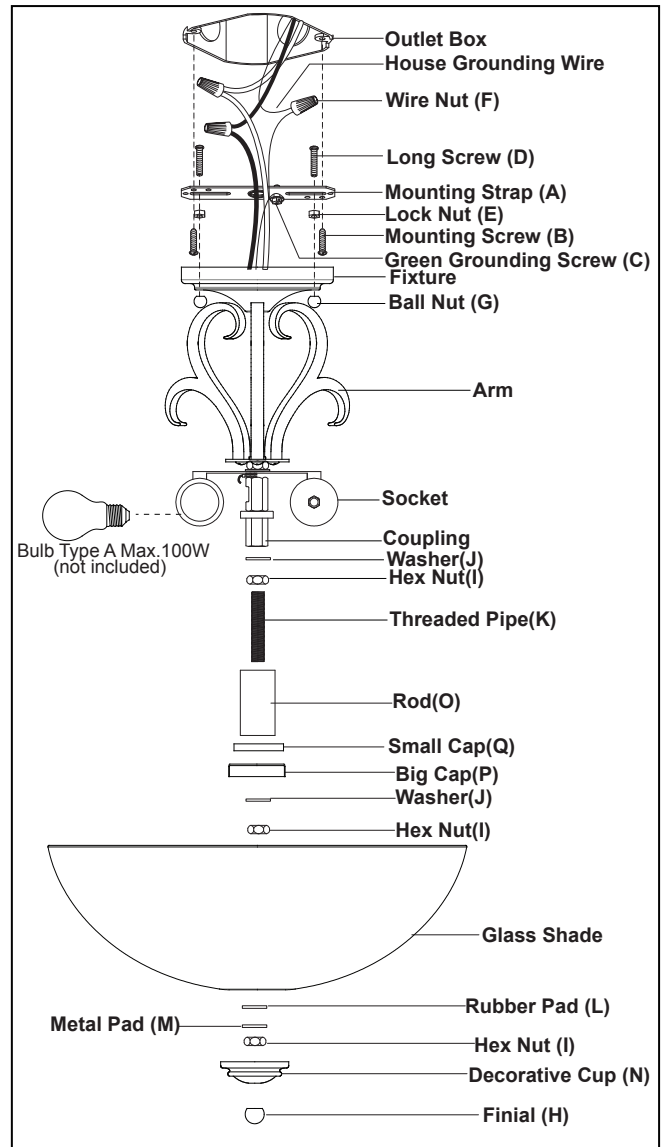
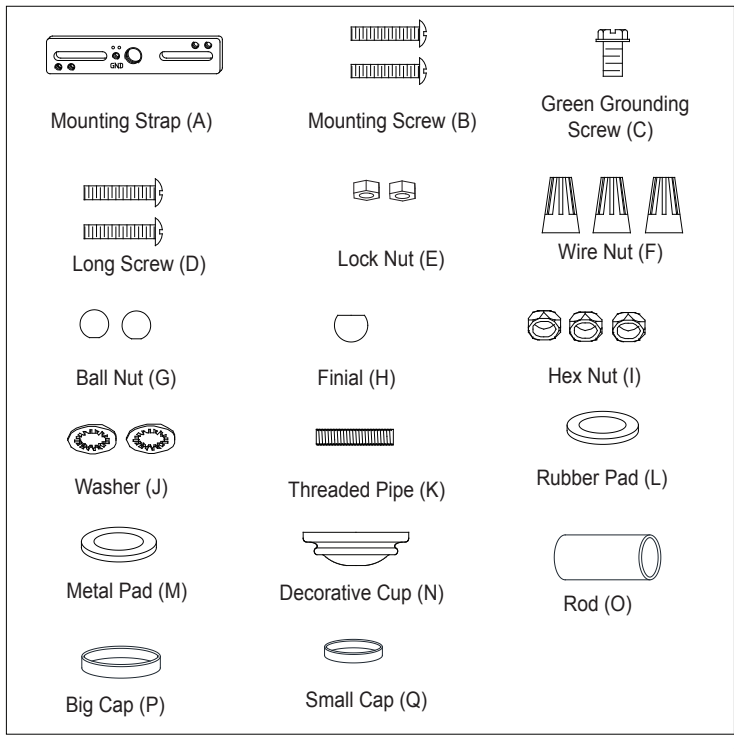
# ASSEMBLY AND INSTALLATION INSTRUCTIONS

C0096 / C0097

**WARNING:** TO AVOID RISK OF ELECTRICAL SHOCK, BE SURE TO SHUT OFF POWER WHILE INSTALLING OR SERVICING THIS FIXTURE.

**NOTES:** 1. Before installing, consult local electrical codes for wiring and grounding requirements.  
2. READ AND SAVE THESE INSTRUCTIONS.

## Hardware Package (included):



## Installation Steps

Turn off the power at fuse or circuit box.

1. Thread the long screws through mounting strap, then secure them with two lock nuts. Adjust the length of long screws if necessary.
2. Attach the mounting strap to the outlet box by using two mounting screws.
3. Pull out the source wires from the outlet box. Make wire connections using wire nuts as follows:
  - Connect the smooth-coated wire (marked) from the fixture to the black wire from the power source.
  - Connect the ribbed-coated wire (unmarked) from the fixture to the white wire from the power source.
  - Attach the fixture grounding wire to the mounting strap with the green grounding screw. Then connect it to the house grounding wire with a wire nut.
 Carefully put the wires back into the outlet box.
4. Attach the fixture to the mounting strap, and secure it with two ball nuts.
5. Attach threaded pipe to the coupling of the socket, and secure it with a washer and hex nut.
6. Install bulbs (not included). See relamping label at socket area or packaging for maximum allowed wattage.
7. Slip the rod, small cap with the open side facing upward and big cap with the open side facing downward up through threaded pipe, secure them with a washer and hex nut.

 **VAXCEL**

141212

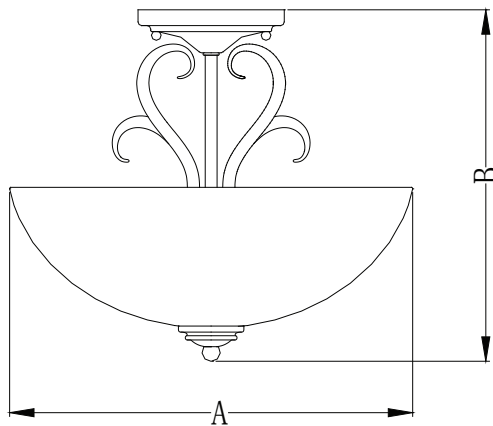
8. Slip the glass shade up through threaded pipe and secure it with a rubber pad, metal pad and hex nut. Slide the decorative cup up to glass shade, and secure it with the finial.

**Turn on the power at fuse or circuit box.**

The following parts are available for re-order if damaged or missing.

**Spare Parts List:**

				<p>Assembly Kit                      5278MM (1 SET) for C0096                      5279MM (1 SET) for C0097</p> <p>Glass Shade 9696EW(1PC)</p>
Mounting Strap (A)	Mounting Screw (B)	Green Grounding Screw (C)	Long Screw (D)	
Lock Nut (E)	Wire Nut (F)	Ball Nut (G)	Finial (H)	
Hex Nut (I)	Washer (J)	Threaded Pipe (K)	Rubber Pad (L)	
Metal Pad (M)	Decorative Cup (N)	Rod (O)	Big Cap (P)	
Small Cap (Q)				



A: 13"  
 B: 11-1/2"