

# ASSEMBLY AND INSTALLATION INSTRUCTIONS

T0164

**WARNING:** TO AVOID RISK OF ELECTRICAL SHOCK, BE SURE TO SHUT OFF POWER WHILE INSTALLING OR SERVICING THIS FIXTURE.

**NOTES:** 1. Before installing, consult local electrical codes for wiring and grounding requirements.  
2. READ AND SAVE THESE INSTRUCTIONS.

## Hardware Package (included):

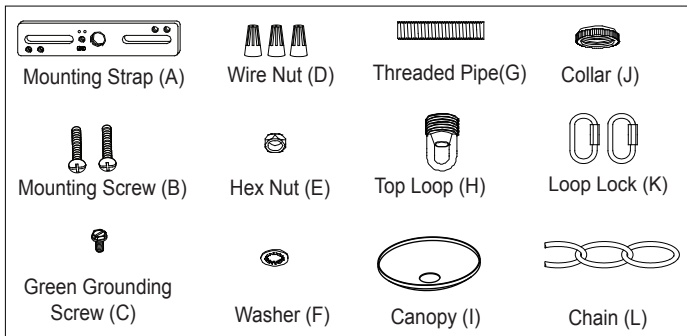
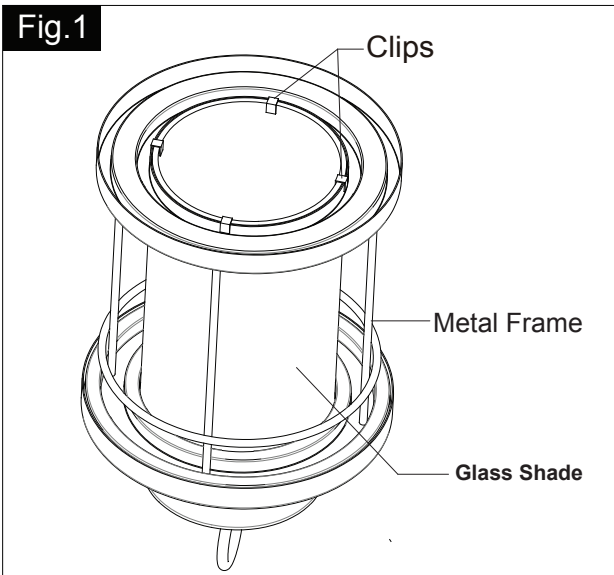


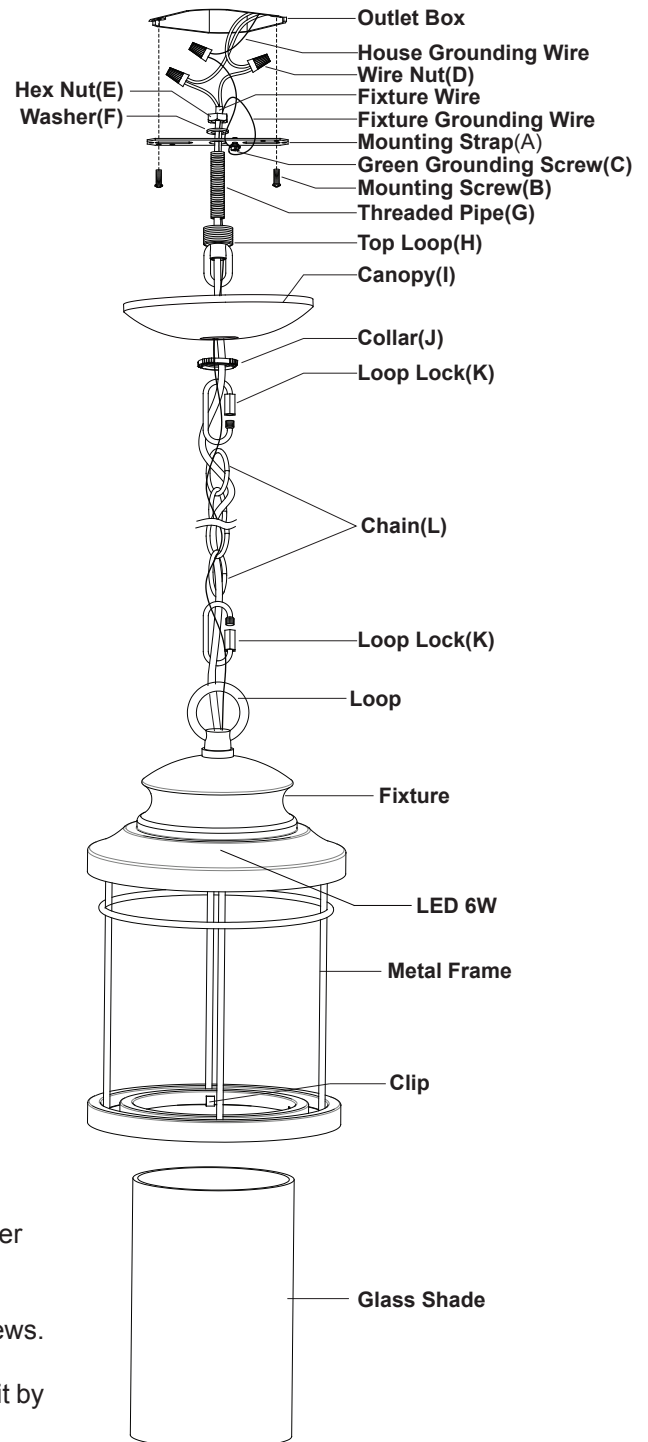
Fig.1



## Installation Steps

Turn off the power at fuse or circuit box.

1. Attach threaded pipe to the mounting strap, then secure it with a washer and hex nut.
2. Attach the mounting strap to the outlet box by using two mounting screws.
3. Place the glass shade into the metal frame carefully, and then secure it by pressing the clips from the bottom side. (See Fig.1)
4. Secure the top loop to threaded pipe.
5. Connect the chain:
  - Determine length of chain needed to achieve desired fixture height. (To remove excess chain section, use pliers to bend link open.)
  - Weave the fixture wires and fixture grounding wire through the chain, collar and canopy.



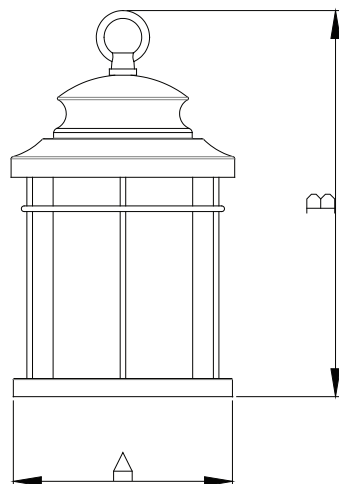
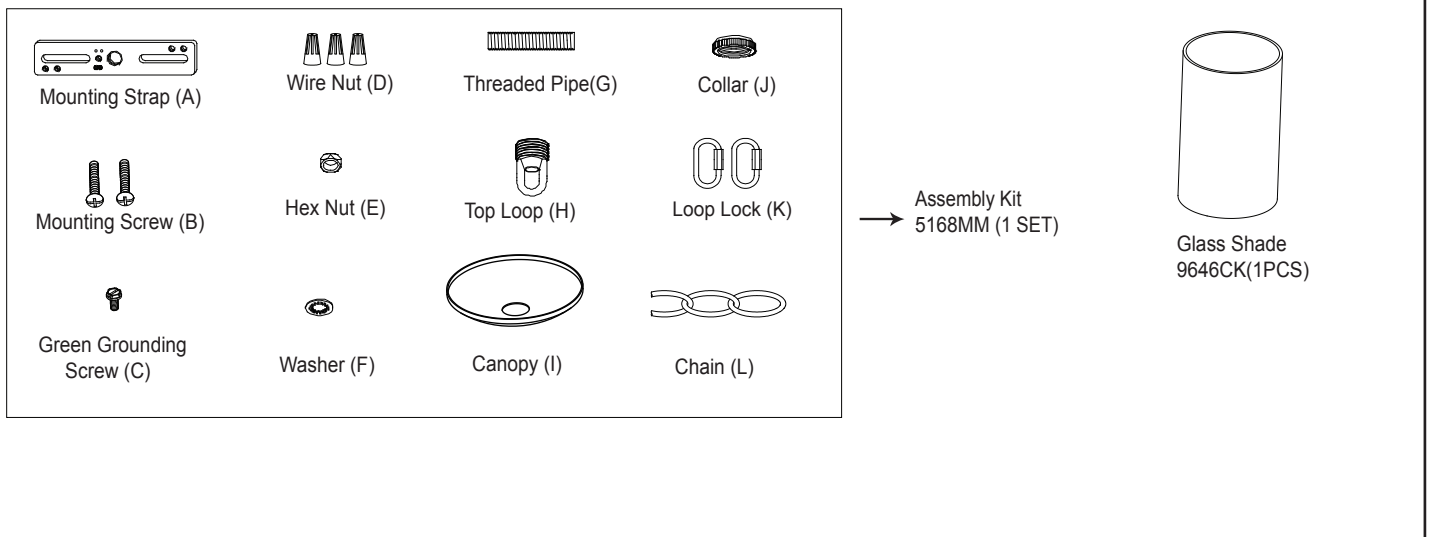
6. Connect one end of the chain to the loop using a loop lock.
7. Connect the other end of the chain to top loop by using the other loop lock.
8. Thread the fixture wire and fixture grounding wire through the top loop, threaded pipe and mounting strap.
9. Pull out the source wires from the outlet box. Make wire connections using wire nuts as follows:
  - Connect the smooth-coated wire (marked) from the fixture to the black wire from the power source.
  - Connect the ribbed-coated wire (unmarked) from the fixture to the white wire from the power source.
  - Attach the fixture grounding wire to the mounting strap with the green grounding screw. Then connect it to the house grounding wire with a wire nut.
 Carefully put the wires back into the outlet box.
10. Attach the canopy to the mounting strap by inserting the top loop, then secure it with the collar.
 

**Note: With silicone caulking compound, caulk completely around where back of canopy meets with the ceiling surface to prevent water from seeping into the outlet box.**

Turn on the power at fuse or circuit box.

The following parts are available for re-order if damaged or missing.

### Spare Parts List:



A: 8"

B: 13-1/8"