

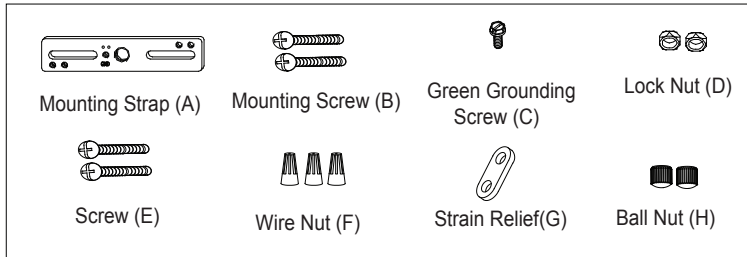
ASSEMBLY AND INSTALLATION INSTRUCTIONS

T0151 / T0152

WARNING: TO AVOID RISK OF ELECTRICAL SHOCK, BE SURE TO SHUT OFF POWER WHILE INSTALLING OR SERVICING THIS FIXTURE.

NOTES: 1. Before installing, consult local electrical codes for wiring and grounding requirements.
2. READ AND SAVE THIS INSTRUCTION.

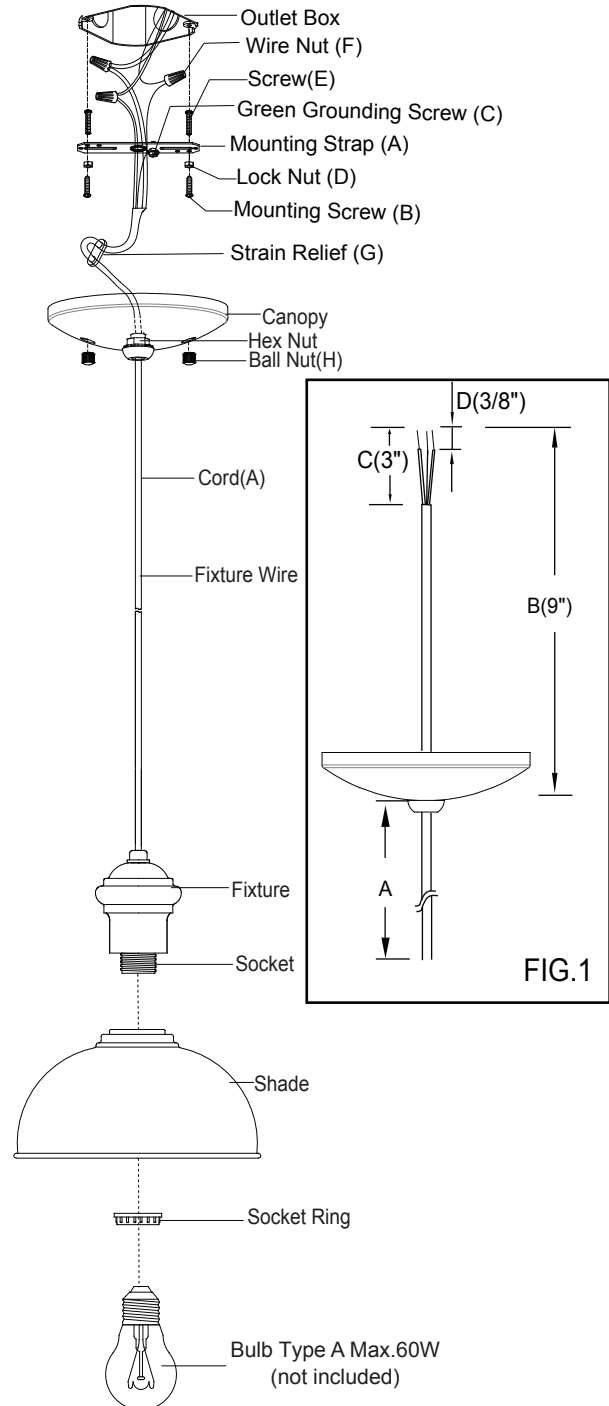
Hardware Package (included):



Installation Steps

Turn off the power at fuse or circuit box.

1. Unscrew two ball nuts, remove mounting strap from canopy.
2. Thread the cord through the canopy and Strain Relief. Measure the desired length of the cord (A) from the canopy to the shade and Leave additional 9" cord (B) above the canopy(include the canopy). Then cut off the unnecessary cord.(See Fig. 1)
3. Adjust strain relief at 9" position from the top of the cord.
4. Mark the 3" cord (C) from the top of the cord (B). Use a knife to peel off the insulation of the cord (C) carefully to show the 3 inside wires out. (See Fig. 1)
Caution : Cutting too deep may cut off three inside wires and destroy the insulation surface of the three inside wires.
5. Peel off the 3 wires from the top about 3/8" long(D) to expose the copper for wiring.
6. Attach the mounting strap to outlet box by using two mounting screws.
7. Pull out the source wires from the outlet box. Make wire connections using wire nuts as follow:
---Connect the hot wire (usually black insulation) from the fixture to the black wire from the power source.
---Connect the neutral wire (usually white insulation) from the fixture to the white wire from the power source.
---Attach the fixture grounding wire (usually green insulation or bare wire) to the mounting strap with the green grounding screw. Then connect it to the house grounding wire with the wire nut.
Carefully put the wires back into the outlet box.
8. Pull the cord (A) down slightly until the strain relief touches the hex nut .Attach the canopy to the mounting strap by inserting two screws. then secure it with two ball nuts.
Note: Adjust the strain relief can decrease or increase the length of cord exposing outside.



9. Attach shade to fixture, then secure it with socket ring.

10. Install bulb(not included). See relamping label at socket area or packaging for maximum allowed wattage.

Turn on the power at fuse or circuit box.

The following parts are available for re-order if damaged or missing.

Spare Parts List:



Mounting Strap (A)



Mounting Screw (B)



Green Grounding
Screw (C)



Lock Nut (D)



Screw (E)



Wire Nut (F)

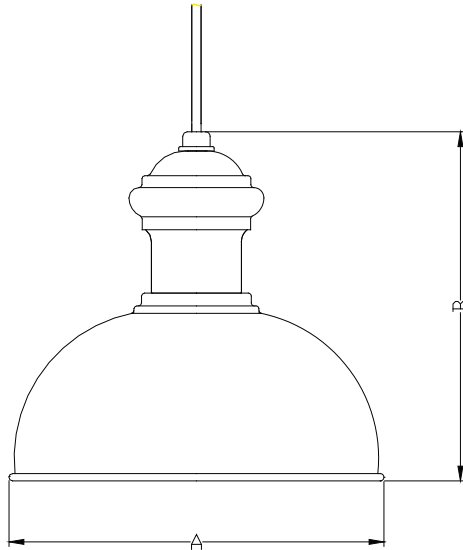


Strain Relief(G)



Ball Nut (H)

→ Assembly Kit
5247MM (1 SET) for T0151
5248MM (1 SET) for T0152



A: 10"

B: 9-1/4"