

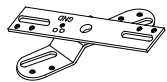
ASSEMBLY AND INSTALLATION INSTRUCTIONS

T0130 / T0134

WARNING: TO AVOID RISK OF ELECTRICAL SHOCK, BE SURE TO SHUT OFF POWER WHILE INSTALLING OR SERVICING THIS FIXTURE.

NOTE: 1. Before installing, consult local electrical codes for wiring and grounding requirements.
2. READ AND SAVE THESE INSTRUCTIONS.

Parts:



Cross Bar (A)



Mounting Screw (B)



Green Grounding Screw (C)



Headless Screw (D)



Wire Nut (E)



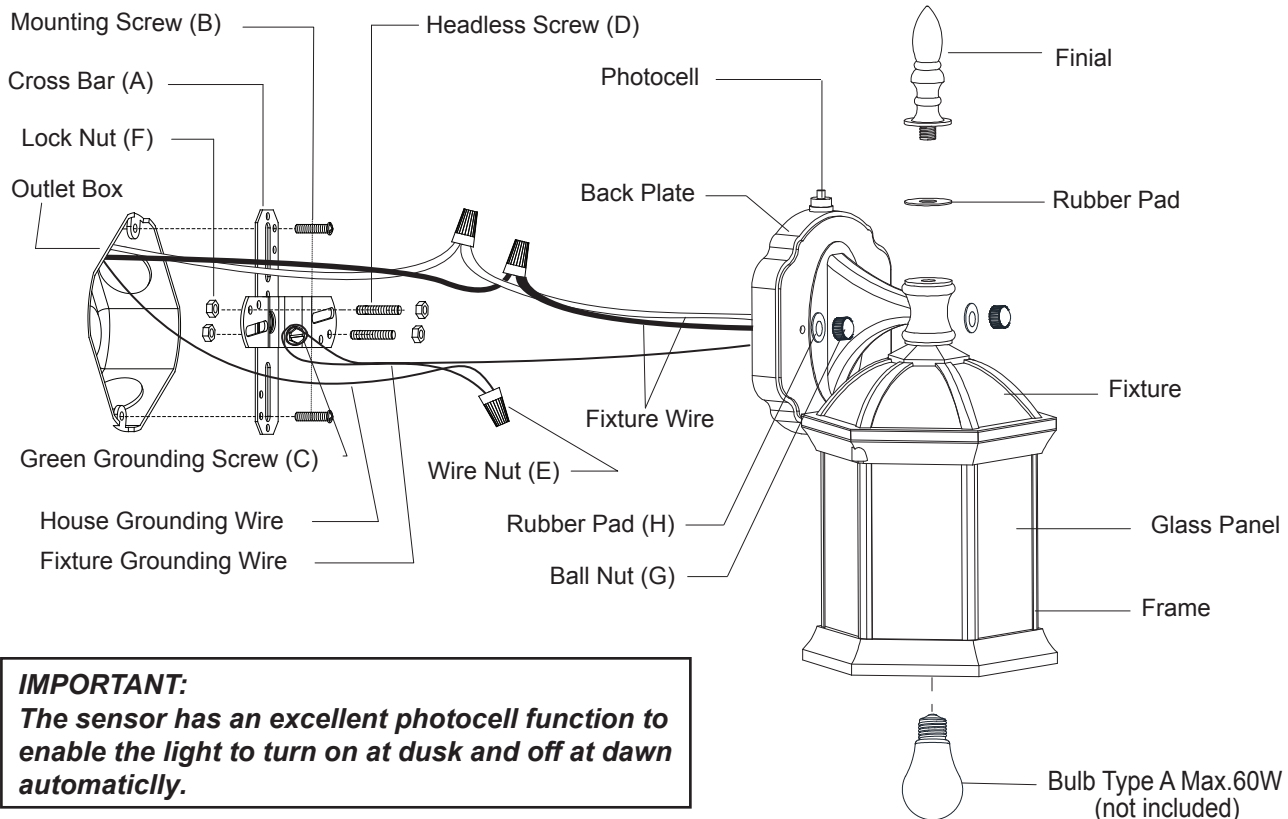
Lock Nut (F)



Ball Nut (G)



Rubber Pad (H)



IMPORTANT:

The sensor has an excellent photocell function to enable the light to turn on at dusk and off at dawn automatically.

Installation Steps

Turn off the power at the main fuse or circuit breaker box.

1. Thread two headless screws through the cross bar, then secure them with four lock nuts (two on each side of the cross bar). Adjust the length of the headless screws if necessary.
Note: Make sure that the headless screws are lined up horizontally, to ensure that the fixture will be level.
2. Attach the cross bar to the outlet box by using two mounting screws.
3. Pull out the source wires from the outlet box. Make wire connections using wire nuts as follow:
---Connect the hot wire (usually black insulation) from the fixture to the black wire from the power source.
---Connect the neutral wire (usually white insulation) from the fixture to the white wire from the power source.

--- Attach the fixture grounding wire (usually green insulation or bare wire) to the cross bar with the green grounding screw. Then connect it to the house grounding wire with the wire nut. Carefully put the wires back into the outlet box.

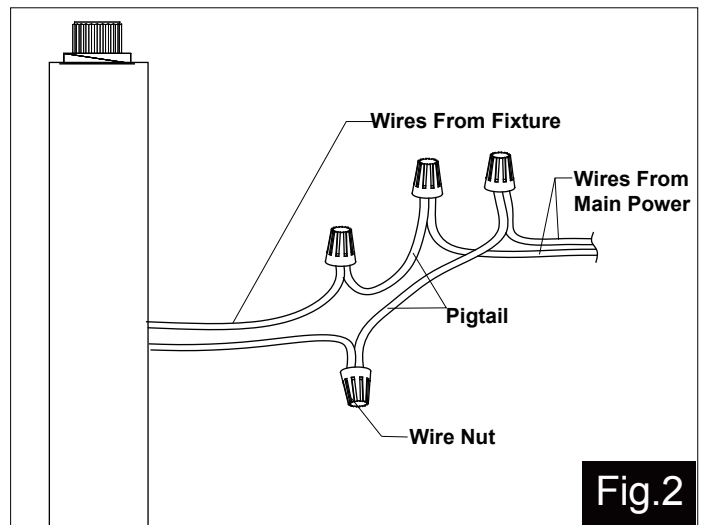
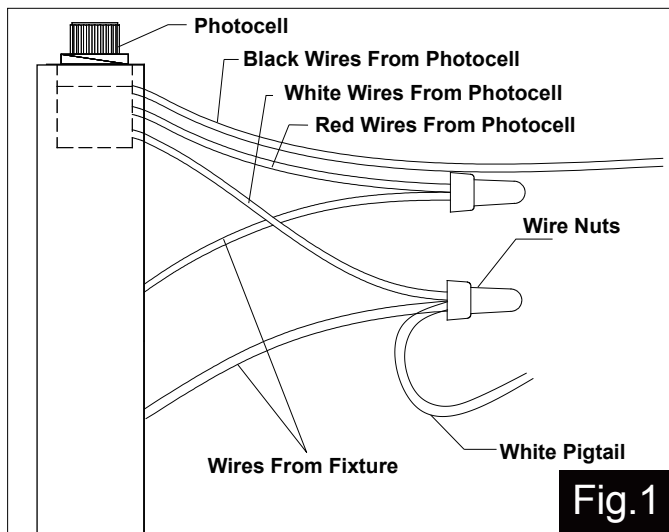
4. Attach the back plate to the cross bar by inserting the screws, then secure it with two rubber pads and ball nuts.
CAUTION: With silicone caulking compound, caulk completely around where the back side of the fixture meets with the wall surface to prevent water from seeping into the outlet box.

5. Secure the finial onto the fixture tightly.

6. Install bulb (not included). See relamping label at socket area or packaging for maximum allowed wattage.

Turn on the power at the main fuse or circuit breaker box.

Operation the Unit Without Photocell



1. Turn off the power at the main fuse or circuit breaker box before starting installation.

2. Loosen the wire nuts connected with the wires from photocell. (See Fig.1)

Note: Do not move the photocell to prevent water from seeping into the outlet box.

3. Take a white pigtail and black pigtail and make wire connections using wire nuts: (See Fig.2)

- The black wire from the fixture to one end of the black pigtail.
- The white wire from the fixture to one end of the white pigtail.
- The other end of the black pigtail to the black wire from the power source.
- The other end of the white pigtail to the white wire from the power source.

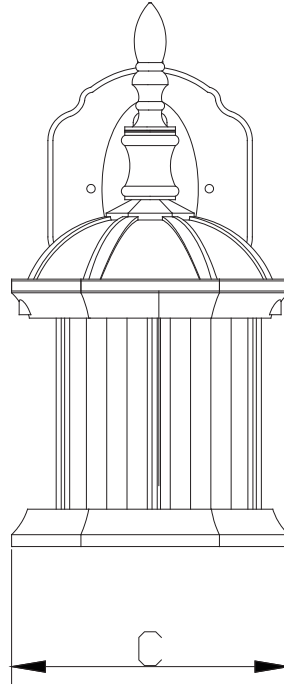
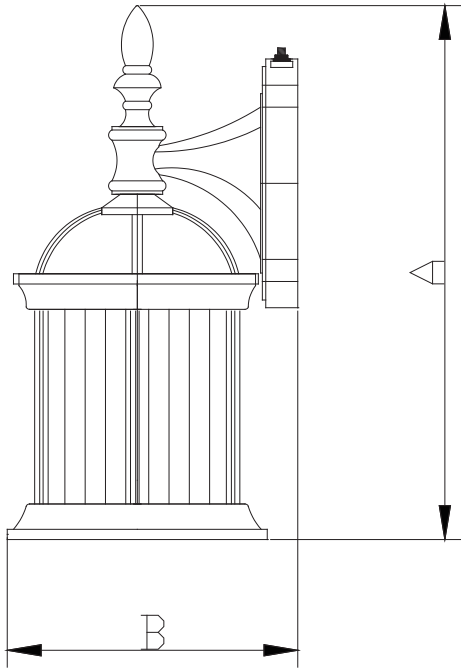
Put all wires back into the back plate of the fixture.

The following parts are available for re-order if damaged or missing.

Spare Parts List:

| | | | |
|---------------|--------------------|---------------------------|--------------------|
| Cross Bar (A) | Mounting Screw (B) | Green Grounding Screw (C) | Headless Screw (D) |
| Wire Nut (E) | Lock Nut (F) | Ball Nut (G) | Rubber Pad (H) |

Glass Panel 9652C
 Assembly Kit
 5189MM (1 SET) for T0130
 5190MM (1 SET) for T0134



A: 12"

B: 6-1/2"

C: 6-1/4"