

ASSEMBLY AND INSTALLATION INSTRUCTIONS

T0125 / T0126

WARNING: TO AVOID RISK OF ELECTRICAL SHOCK, BE SURE TO SHUT OFF POWER WHILE INSTALLING OR SERVICING THIS FIXTURE.

NOTES: 1. Before installing, consult local electrical codes for wiring and grounding requirements.
2. Read and save these instructions.

Important to Know

1. Read all instructions carefully before installation and operation.
2. If you are not familiar with state and local electrical codes, it is recommended that you consult with a qualified electrician.
3. Before installation, shut off power at the main fuse or circuit breaker box. Be aware that simply turning off the wall switch is not sufficient to prevent an electrical shock.
4. This fixture requires a 120 VAC, 60 Hz power source.
5. Do not attempt to take the lantern apart; there are no serviceable parts inside.
6. To avoid sensor damage by lightning or electrical surge, make sure the grounding wire is securely connected.
7. For general safety and to avoid any possible damage to the sensor, be sure the power is switched "off" before replacing the bulb.
8. Dimmable bulb is not available for this fixture.

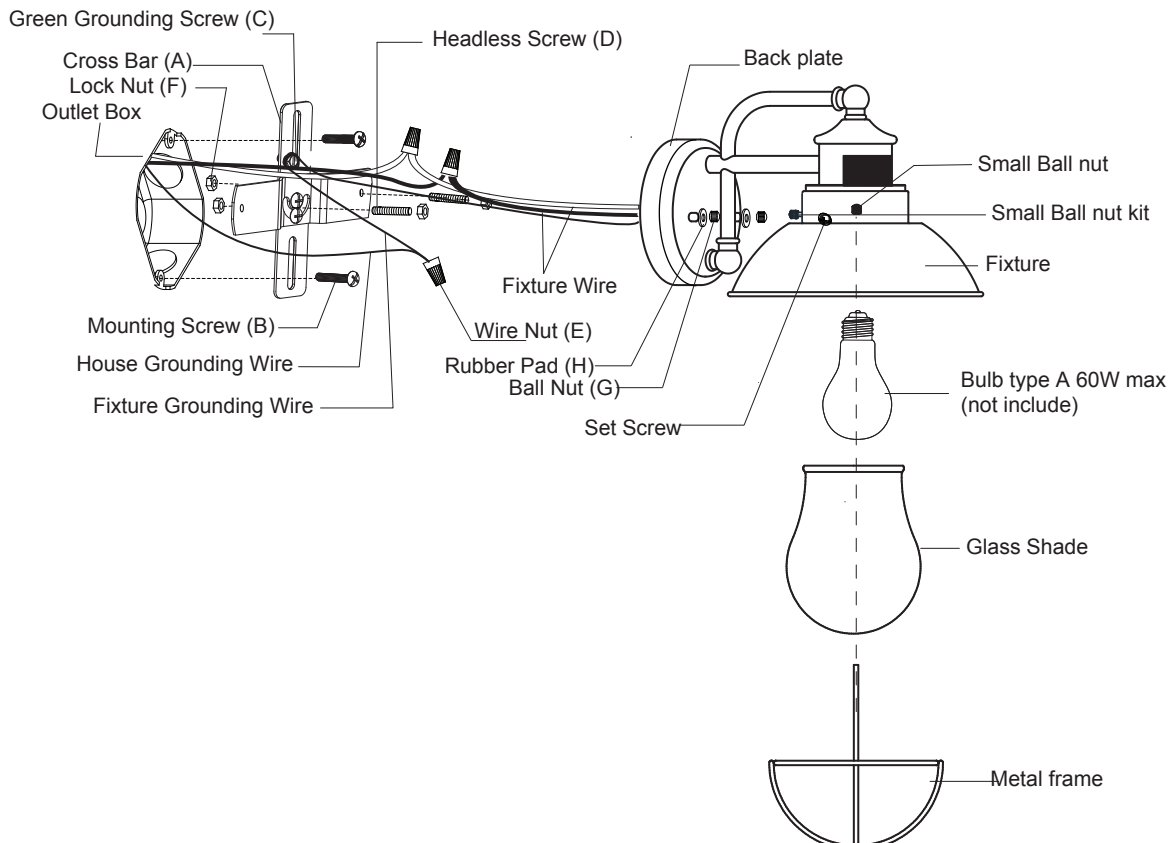
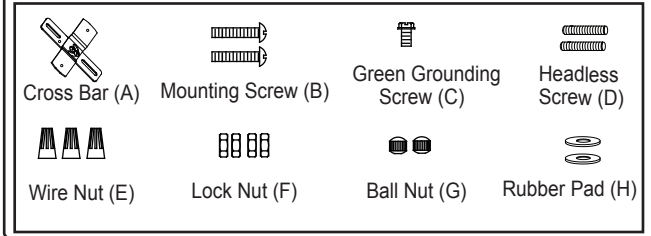
Maximum Wattage: 60W

Work Temperature: -4°F~104°F

Features

1. Energy saving fixture.
2. Use the dim-to-bright illumination option where you want some minimum illumination through out the night, such as at your front entrance or garage door. Use the dark-to-bright illumination option where you do not need minimum brightness, such as the backyard or back porch.
3. When in manual override mode, use wall switch to keep the light ON till dawn.

Hardware Package (included):



VAXCEL

Installation steps

Turn off the power at fuse or circuit box.

1. Thread two headless screws through the cross bar, then screw them with four lock nuts (two on each side of the cross bar). Adjust the length of the headless screw if necessary.
Note: Make sure that the headless screws are lined up horizontally, to ensure that the fixture will be level.
2. Attach the cross bar to the outlet box by using two mounting screws.
3. Install bulb (not included). See relamping label at socket area or packaging for maximum allowed wattage.
4. Secure glass shade to fixture with the ball nut kit.
Note: Make sure to tighten ball nut kit appropriately to avoid damaging the glass shade.
5. Remove the small ball nuts from the metal frame. Attach the metal frame to the fixture by using small ball nuts.
6. Pull out the source wires from the outlet box. Make wire connections using wire nuts as follow:
 - Connect the hot wire (usually black insulation) from the fixture to the black wire from the power source.
 - Connect the neutral wire (usually white insulation) from the fixture to the white wire from the power source.
 - Attach the fixture grounding wire (usually green insulation or bare wire) to the cross bar with the green grounding screw. Then connect it to the house grounding wire with the wire nut.Carefully put the wires back into the outlet box.
7. Attach the fixture to the cross bar by inserting headless screws with holes on back plate. secure them with two rubber pads and ball nuts.
CAUTION : With silicone caulking compound, caulk completely around where the back plate meets with the wall surface to prevent water from seeping into the outlet box.

Turn on the power at fuse or circuit box.

Function and Operation

MODES OF OPERATION

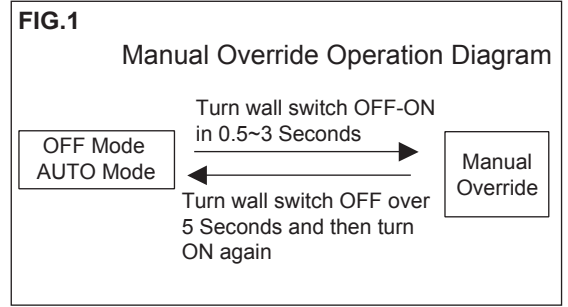
Choose a mode by sliding the switch on the bottom of the back plate of the fixture. when power is first applied, the light will turn on immediately. Wait for 15 seconds to allow the sensor to warm up.

1. TEST MODE (daytime and nighttime operation.)
 - The light will turn to low-level brightness (25% brightness).The light will turn to high-level brightness (100% brightness) when motion is detected,and stay on as long as the motion is continuing. The light will revert to low-level brightness about 5 seconds after motion is no longer detected.
2. OFF MODE (nighttime operation only; on at dusk,off at dawn)
 - At dusk, the light will turn on when motion is detected, and stay on as long as the motion is continuing. When the motion stops, the light will remain on for the predetermined time set (5 ~ 180 seconds), then the light will turn off automaticly.
 - The light will turn off automatically at dawn.
3. AUTO MODE(nighttime operation only; on at dusk, off at dawn)
 - At dusk, the light will turn to low-level brightness (25% brightness). The light will turn to high-level brightness (100% brightness) when motion is detected, and stay on as long as the motion is continuing. When the motion stops, the light will remain on for the predetermined time set (5 ~ 180 seconds), and then revert to low-level brightness.
 - The light will turn off automatically at dawn.
4. PC MODE(nighttime operation only; on at dusk, off at dawn)
 - The light will turn to high-level brightness (100% brightness) at dusk. It will turn off at dawn.

5. Manual Override MODE

- To shift to the manual override mode, set the switch to “OFF” or “AUTO” mode. Turn the wall switch “OFF” and turn it “ON” within 3 seconds. The light will remain on all night long. To shift back to the “OFF” or “AUTO” mode, turn the wall switch “OFF” and then wait over 5 seconds before switching it “ON” again. (See FIG. 1)
- The light will turn off automatically at dawn.

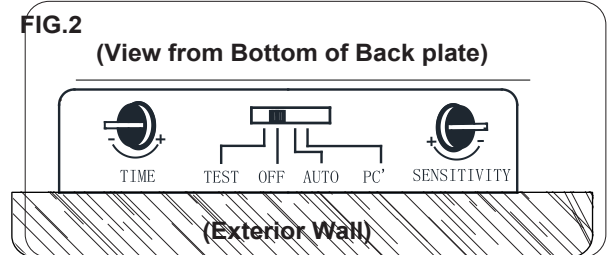
Note: To make sure the above functions operate properly, always keep the wall switch in the “ON” position (including the daytime).



CUSTOMIZATION OPTIONS:

Shut-off Delay

The Shut-off delay is the length of time the light will stay at high-level brightness after motion has ceased to be detected. This Shut-off delay can be set when operation is in “OFF”, or “AUTO” mode by using the “TIME” knob located on the left side of the panel at the bottom of the back plate (See FIG. 2). To increase the shut-off delay, turn the knob clockwise. To decrease shut off delay, turn the knob counterclockwise. The delay may be adjusted from a minimum of 5 seconds to a maximum of 3 minutes. The light will stay on as long as motion is detected continuously and will automatically turn to low-level brightness when no more motion is detected after the delay time has passed.



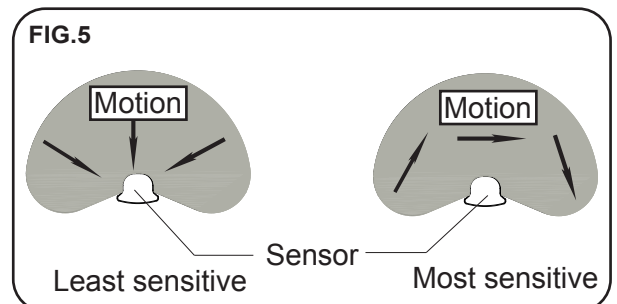
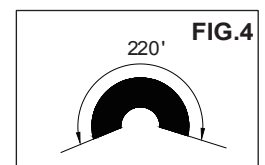
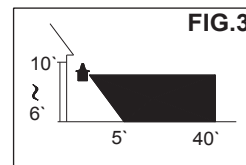
Sensitivity of Motion Sensor

The sensitivity of the motion sensor can be adjusted by using the “SENSITIVITY” knob located on the right side of the panel at the bottom of the back plate (See FIG.2). To increase sensitivity, turn the knob clockwise. To decrease sensitivity, turn the knob counterclockwise. The sensitivity may be adjusted from a minimum of 5 feet to a maximum of 40 feet.

NOTE:

- The sensitivity of the motion sensor will increase as the environmental temperature gets cooler. You may wish to make adjustments when the season changes. For best performance, gently clean the lens with a soft cloth every 1 or 2 months to assure maximum sensitivity.
- For best performance, install fixture at least 6 feet above the ground. At such a height, the fixture will provide a detection distance of up to 40 feet at 77 degrees Fahrenheit. (See FIG.3)
- The sensor detects across a detection range of 220 degrees. (See FIG.4)
- The sensor will be more sensitive to motion across its detection path than motion directly towards it. (See FIG.5)
- To reduce possible nuisances, do not mount the fixture near a heat source like an air conditioner, vent or furnace exhaust, or in a direction facing any reflecting object or other light source.

Where you install your lantern is important:
Be sure the light is mounted straight on the wall; otherwise, the detection distance may be limited.



Troubleshooting

---If the light does not work at all:

1. Make sure the wall switch and circuit breaker are on.
2. Make sure the wiring connection is correct.
3. Cover the sensor with dark color cloth to verify that the ambient light level is not too high.

---In TEST Mode, if the light stays on over 5 seconds after motion is no longer detected:

1. Make sure the slide switch is at the TEST position.
2. Cover the sensor with a dark color cloth to verify that motion is not detected.

---In OFF/ AUTO Mode, if the light stays on full brightness after 3 minutes:

1. Make sure no motion could be detected by the sensor.
2. Make sure that mode entry is not in manual override.

---In PC / Manual override Mode, if the light stays on after dawn:

1. Whether the ambient light level is too low.

---If the light blinks:

1. Make sure the light is not mounted near a barbecue, air conditioner or other heat source.

The following parts are available for re-order if damaged or missing.

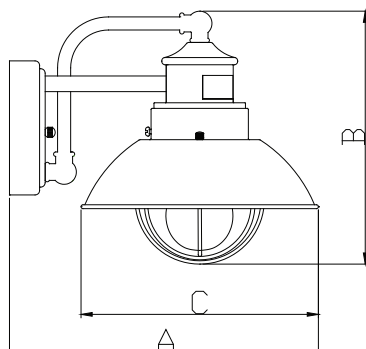
Spare Parts List:

The diagram shows a collection of spare parts for the light fixture. It includes:

- Cross Bar (A)**: A metal bar with a central screw hole.
- Mounting Screw (B)**: Two screws with hex heads.
- Green Grounding Screw (C)**: A single screw with a green coating.
- Headless Screw (D)**: Two screws without heads.
- Wire Nut (E)**: Three wire nuts of different sizes.
- Lock Nut (F)**: Three lock nuts.
- Ball Nut (G)**: One ball nut.
- Rubber Pad (H)**: Two circular rubber pads.
- Mounting Hardware**: 5141MM (1 SET) for T0125 and 5144MM (1 SET) for T0126, pointing to a glass shade.
- Glass Shade 9475CS (1PC)**: A glass shade with a decorative top.
- Small Ball Nut Kit**: A kit containing a small ball nut and a set screw.
- Assembly Kit**: 5143BC (1SET) for T0125 and 5146BC (1SET) for T0126, pointing to a small ball nut.
- Small Ball Nut**: 5142SB(2PCS) for T0125 and 5145SB(2PCS) for T0126, pointing to a small ball nut.

5-YEAR LIMITED WARRANTY:

All products are warranted to be free of defects in material and workmanship for five (5) years from date of purchase. This warranty is limited to the correction of any such defect, or the replacement of any such defective item(s), provided that: (a) we are properly notified and consent to return of the item(s) in question; (b) the item (s) is / are returned with proof of purchase date; and (c) it is found upon inspection by us that the item (s) is / are defective as noted above. This warranty does not cover labor costs, consequential damages, nor does it apply to any item(s) that have been improperly installed, overloaded, altered, or otherwise abused by the customer, its agent(s) or employee(s). Finishes are specially excluded from the terms of this warranty since they are subject to environmental maintenance deemed beyond our control. Other than the described obligation, we assume no further liability with respect to the sale or use of our products. We make no warranty, express or implied, and disclaim any warranty of merchantability or fitness for a particular purpose.



A: 10-3/4"

B: 8-1/4"

C: 9-1/4"