

# ASSEMBLY AND INSTALLATION INSTRUCTIONS

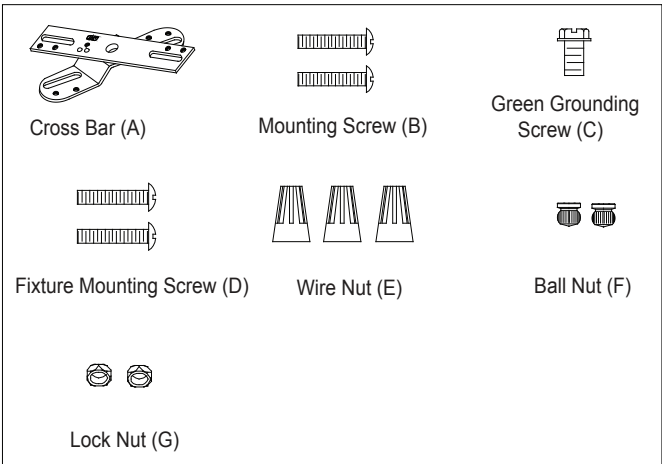
T0075

**WARNING:** Turn off the main power at circuit breaker before installing fixture.  
**AVERTISSEMENT:** Coupez la source d'alimentation principale au panneau central de disjoncteurs avant d'installer le luminaire.

**NOTE:** 1. Before installing, consult local electrical codes for wiring and grounding requirements.  
 2. READ AND SAVE THESE INSTRUCTIONS.

**Parts:**

Parts Number (4995MM)

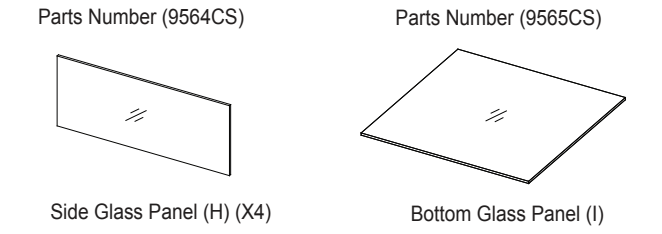


Cross Bar (A)      Mounting Screw (B)      Green Grounding Screw (C)

Fixture Mounting Screw (D)      Wire Nut (E)      Ball Nut (F)

Lock Nut (G)

Parts Number (9564CS)      Parts Number (9565CS)



Side Glass Panel (H) (X4)      Bottom Glass Panel (I)

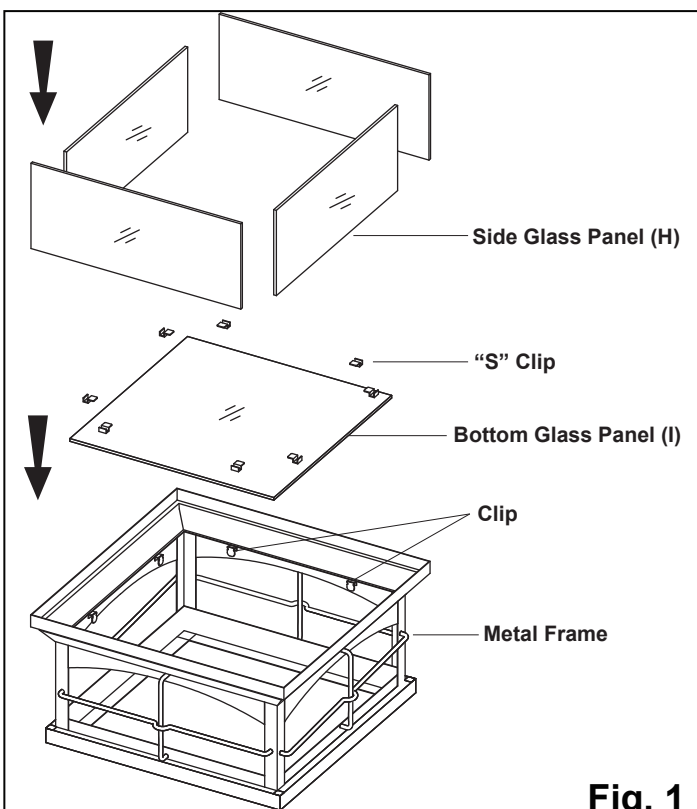
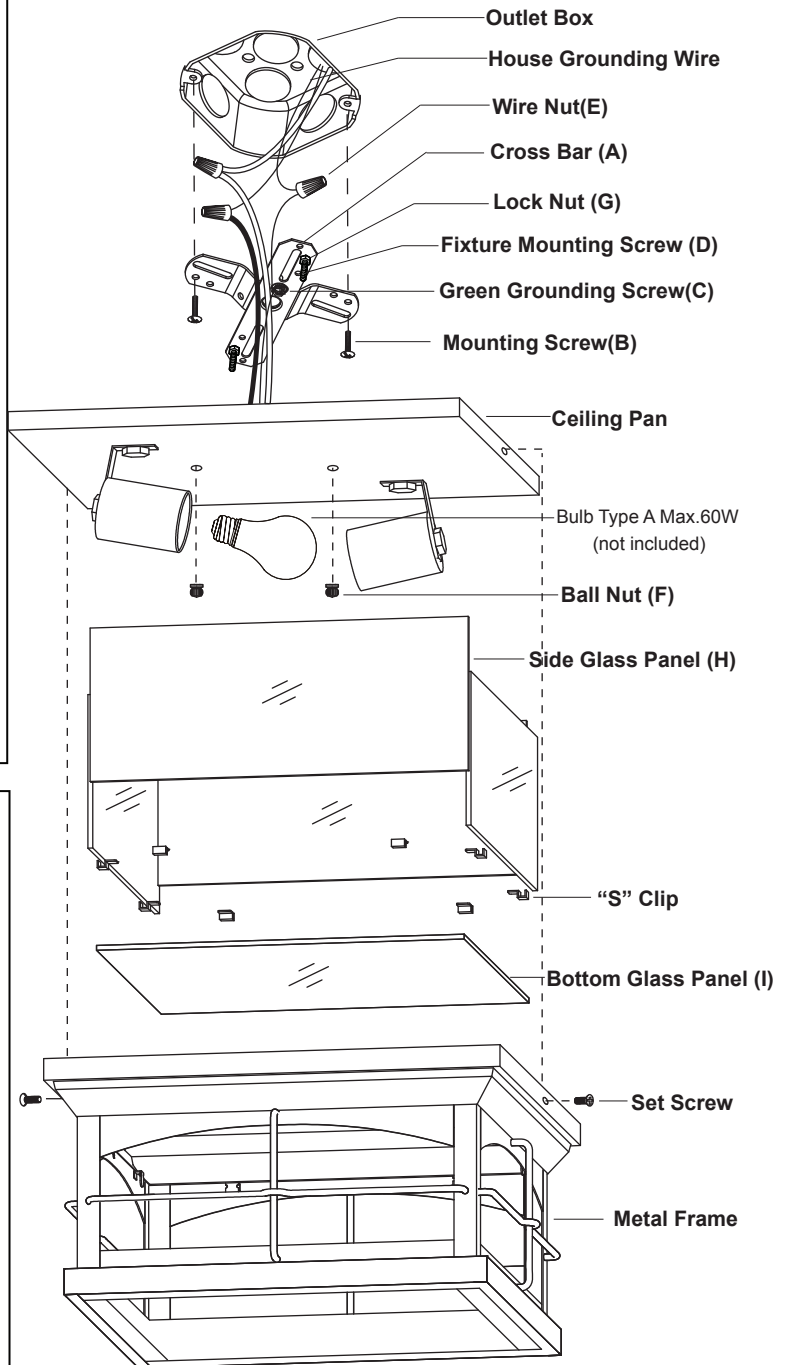
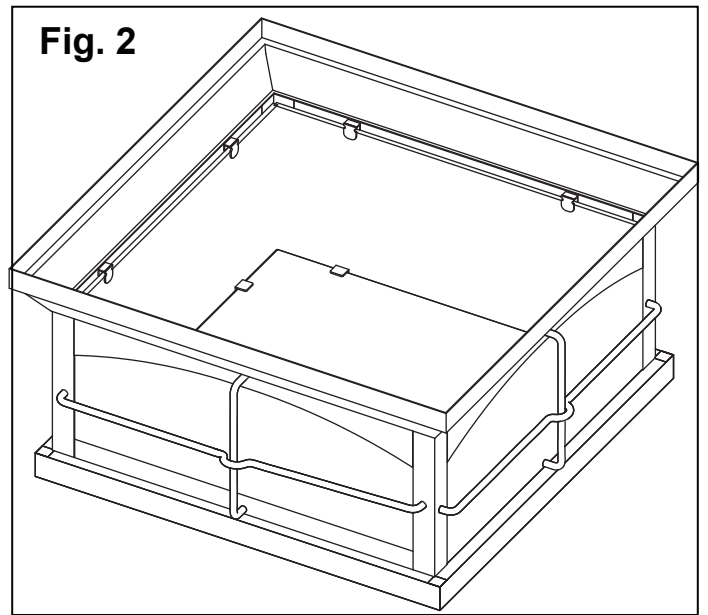


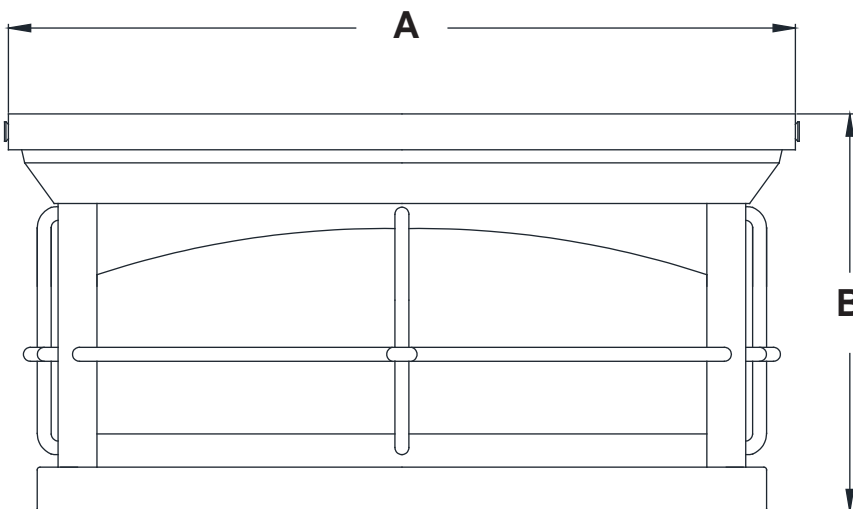
Fig. 1

1. Attach the two fixture mounting screws to the holes on the cross bar, then secure them with two lock nuts. Adjust the length of the fixture mounting screws if necessary.
2. Attach the cross bar to the outlet box by using two mounting screws.
3. Pull out the outlet wires and the house grounding wire from the outlet box. Make wire connections using the wire nuts:
  - The black wire from the fixture to the black wire from the power source.
  - The white wire from the fixture to the white wire from the power source.
  - Attach the fixture grounding wire to the cross bar with the green grounding screw. Then connect it to the house grounding wire with the wire nut.



- Carefully put the wires back into the outlet box.
4. Attach the ceiling pan to the ceiling by aligning fixture mounting screws on cross bar with holes on ceiling pan. Slide fixture mounting screws through holes, secure it with two ball nuts.
 

**Note: With silicone caulking compound, caulk completely around where the back side of the ceiling pan meets with the ceiling surface to prevent water from seeping into the outlet box.**
  5. Install bulbs (not included). See relamping label at socket area or packaging for maximum allowed wattage.
  6. Place the bottom glass panel into the metal frame, and set the eight "S" clips on the slot and hold the bottom glass panel by inserting the side glass panels inside the metal frame. Then press the top clips of the fixture to secure the side glass panels. (See Fig.1 / Fig. 2)
  7. Attach the metal frame to the ceiling pan by aligning the holes on metal frame with the holes on ceiling pan, secure them with two set screws.
  8. Turn on the power at the main fuse or circuit breaker box.



**A: 11-1/8"**

**B: 5-5/8"**