

ASSEMBLY AND INSTALLATION INSTRUCTIONS

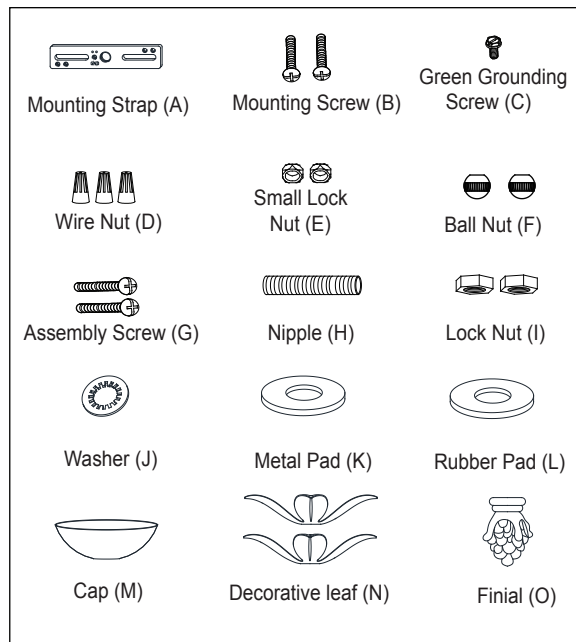
C0067

WARNING: BE SURE TO SHUT OFF POWER AT THE MAIN FUSE OR CIRCUIT BREAKER BOX BEFORE INSTALLING OR SERVICING THIS FIXTURE.

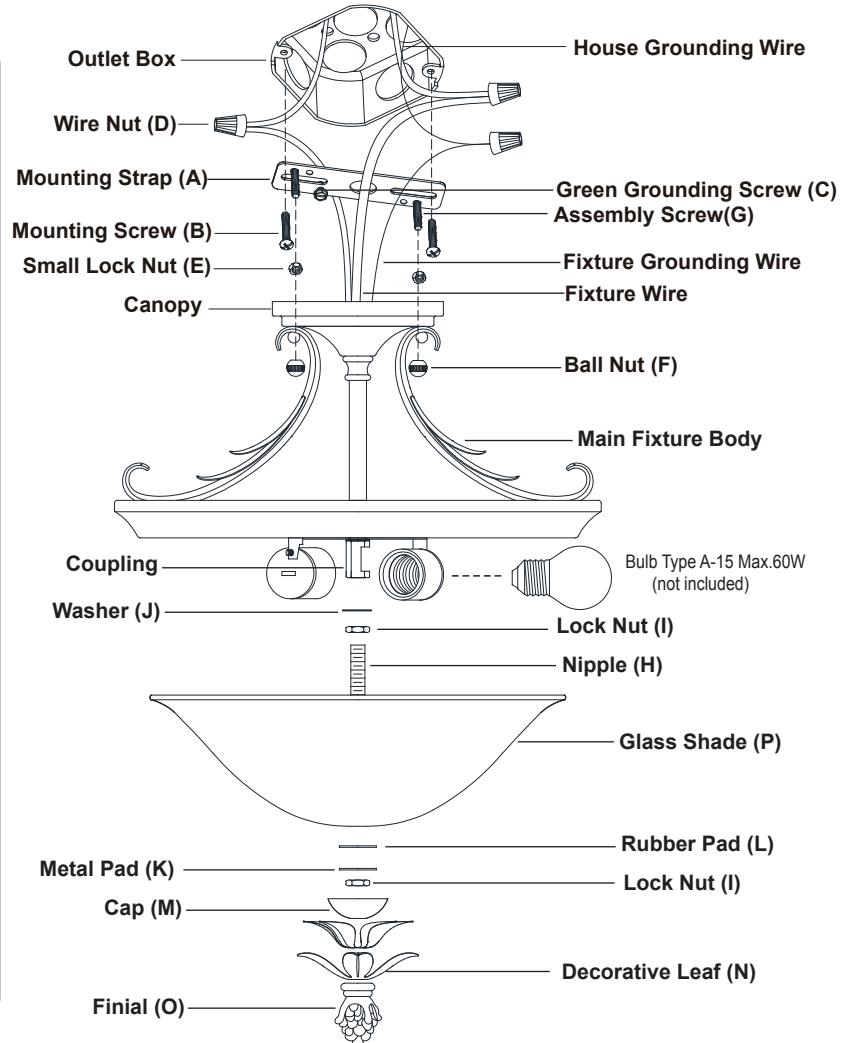
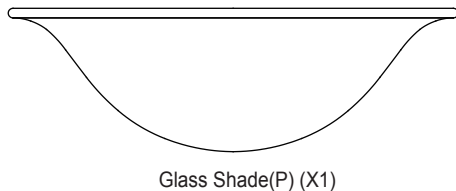
NOTE: 1. Before installing, consult local electrical codes for wiring and grounding requirements. 2. READ AND SAVE THESE INSTRUCTIONS.

Parts:

Parts Number (5023MM)

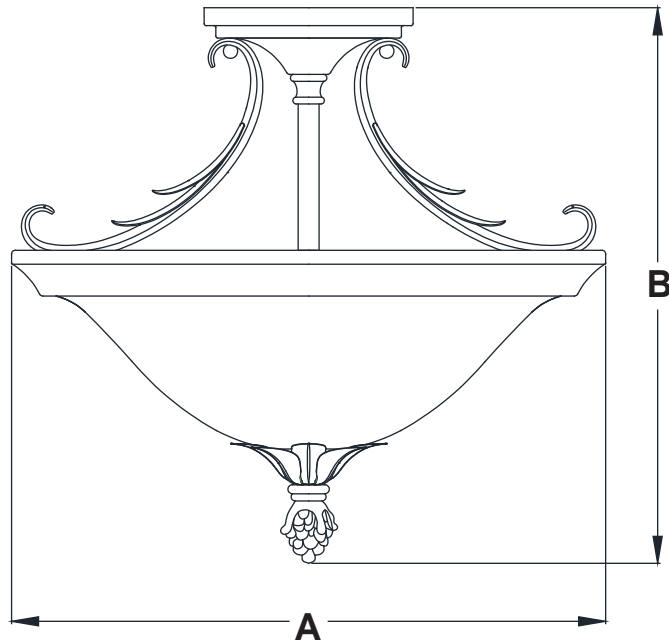


Parts Number (9589SD)



1. Thread two assembly screws through the mounting strap, and secure them with two small lock nuts. Adjust the length of the assembly screws if necessary.
2. Attach the mounting strap to the outlet box by using two mounting screws.
3. Screw the nipple into the coupling on the main fixture body, secure it with a washer and lock nut.
4. Install bulbs(not included). See relamping label at socket area or packaging for maximum allowed wattage.
5. Place the glass shade over the main fixture body, making sure the nipple feeds through its center hole, slide the the rubber pad and metal cap onto the nipple, secure them with lock nut.
6. Slide the cap and decorative leaves up to the glass shade, and secure them with finial.
Note: The decorative leaves must be staggered.
7. Pull out the outlet wires and the house grounding wire from the outlet box. Make wire connections using the wire nuts:
 - The black (hot) wire from the fixture to the black (hot) wire from the power source.
 - The white (neutral) wire from the fixture to the white (neutral) wire from the power source.
 - Attach the fixture grounding wire to the mounting strap with the green grounding screw. Then connect it to the house grounding wire with the wire nut.
 Carefully put the wires back into the outlet box.

8. Attach the canopy to the mounting strap by inserting the assembly screws, then secure it with two ball nuts.
9. Turn on the power at the main fuse or circuit breaker box.



A: 13"
B: 11-1/4"