

ASSEMBLY AND INSTALLATION INSTRUCTIONS

T0087

WARNING: Turn off the main power at circuit breaker before installing fixture.
AVERTISSEMENT: Coupez la source d'alimentation principale au panneau central de disjoncteurs avant d'installer le luminaire.

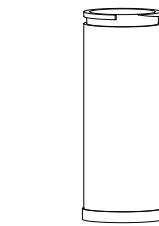
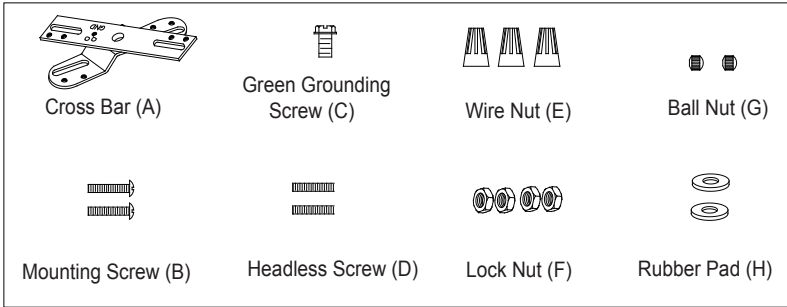
NOTE: 1. Before installing, consult local electrical codes for wiring and grounding requirements.
 2. READ AND SAVE THESE INSTRUCTIONS.

Parts:

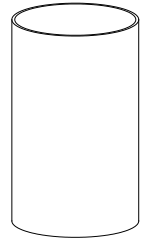
Parts Number (5007MM)

Parts Number (9578AM)

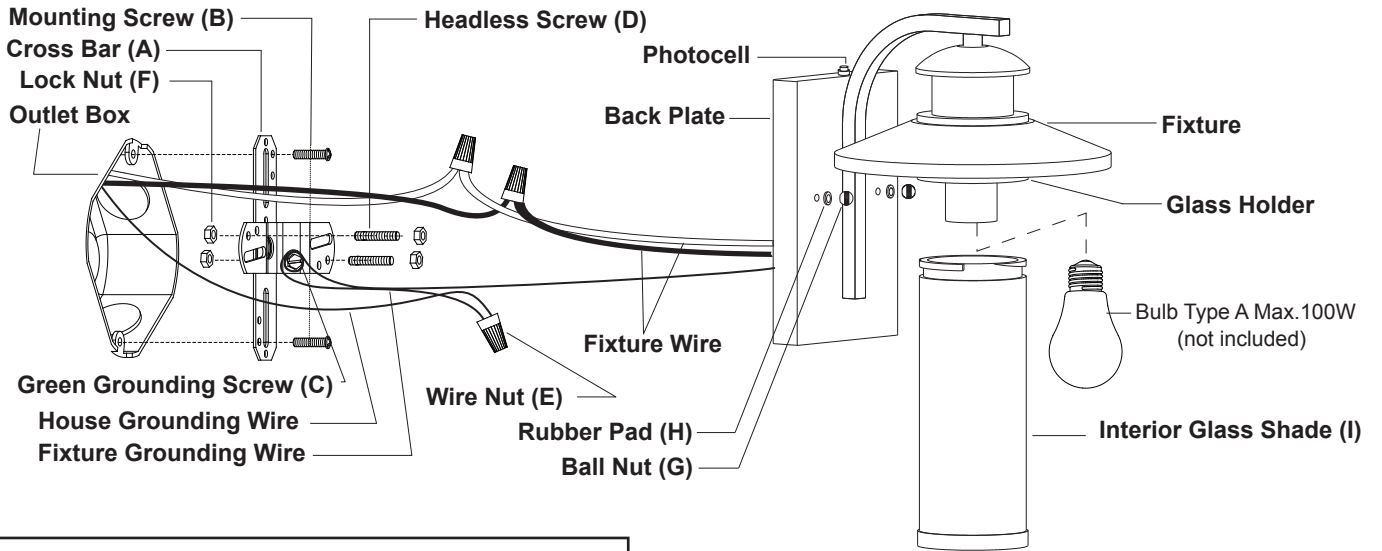
Parts Number (9577CE)



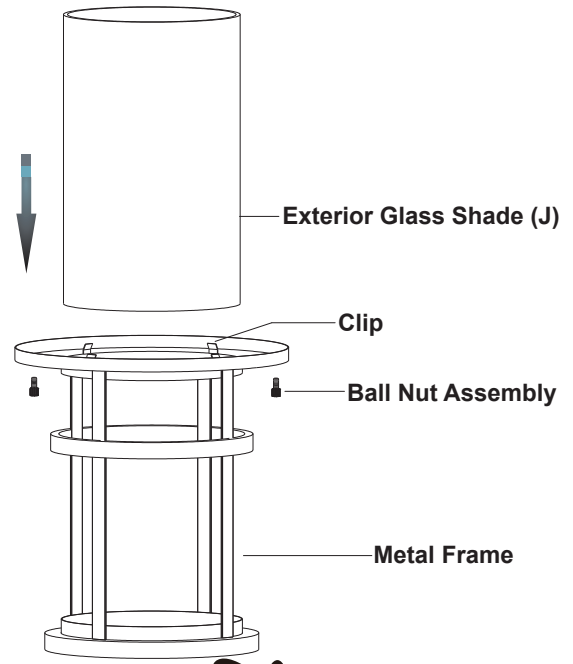
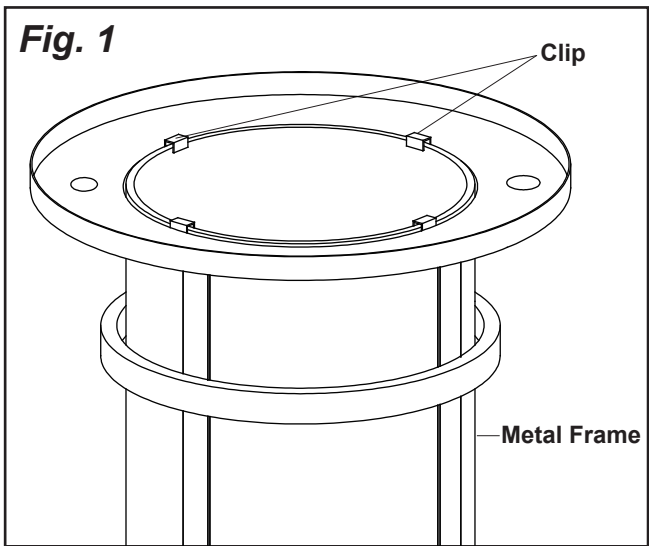
Interior Glass Shade (I)



Exterior Glass Shade (J)



IMPORTANT:
 The sensor has an excellent photocell function to enable the light to turn on at dusk and off at dawn automatically.



1. Thread two headless screws through the cross bar, then secure them with four lock nuts (two on each side of the cross bar). Adjust the length of the headless screws if necessary.
 Note: Make sure that the headless screws are lined up horizontally, to ensure that the fixture will be level.
2. Attach the cross bar to the outlet box by using two mounting screws.
3. Place the exterior glass shade into the metal frame carefully, and then secure it by pressing the clips from the top sides. (See Fig.1)
Note: Slide the outer glass shade downward into the notch inside of the metal frame.
4. Pull out the outlet wires and the house grounding wire from the outlet box. Make wire connections using the wire nuts:
 - Connect the black (hot) wire from the fixture to the black (hot) wire from the power source.
 - Connect the white (neutral) wire from the fixture to the white (neutral) wire from the power source.
 - Attach the fixture grounding wire to the cross bar with the green grounding screw. Then connect it to the house grounding wire with a wire nut.
 Carefully put the wires back into the outlet box.
5. Attach the back plate to the cross bar by inserting the headless screws, then secure it with rubber pads and two ball nuts.
Note: With silicone caulking compound, caulk completely around where the back plate meets with the wall surface to prevent water from seeping into the outlet box.
6. Install a bulb (not included). See relamping label at socket area or packaging for maximum allowed wattage.
7. Attach the interior glass shade to the glass holder and turn it clockwise until it locks in place.
Note: Do not over tighten.
8. Attach the metal frame to the fixture, then secure it with the ball nut assemblies.
9. Turn on the power at the main fuse or circuit breaker box.

Operation the Unit Without Photocell

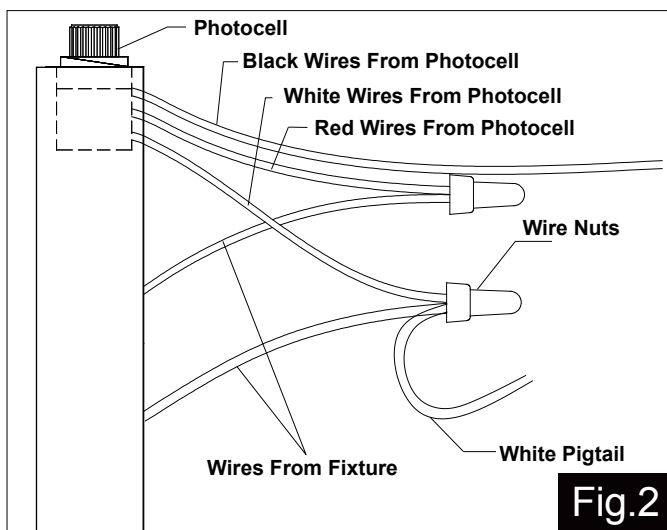


Fig.2

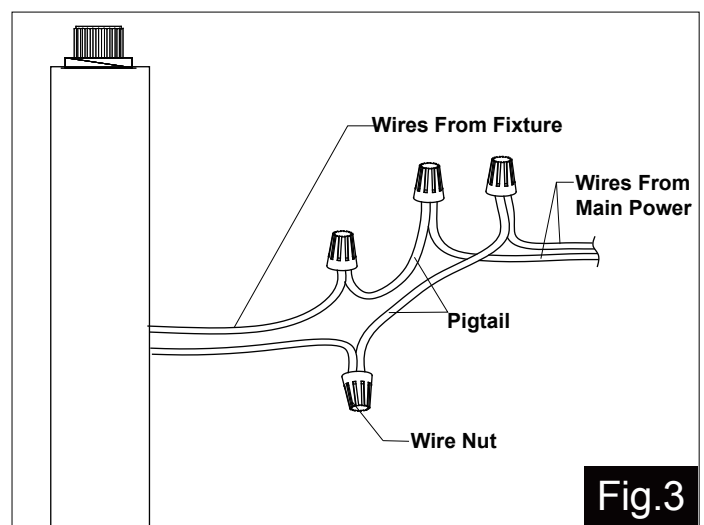
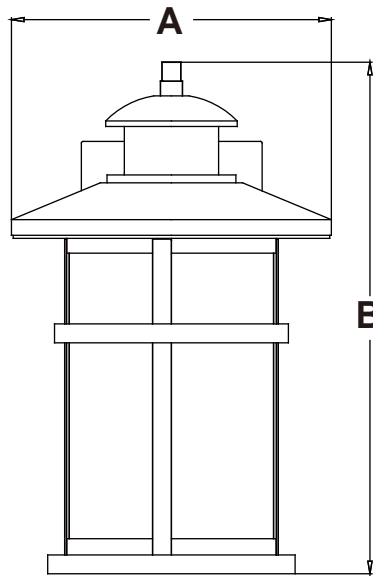
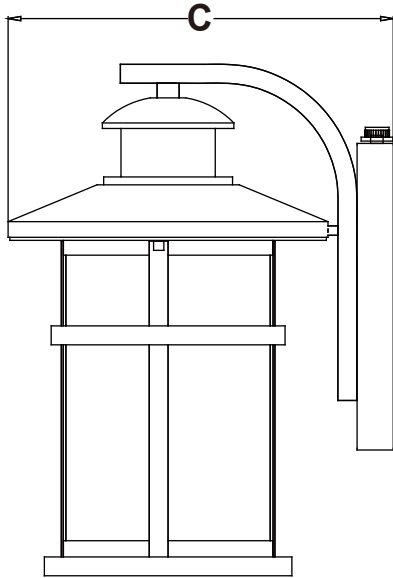


Fig.3

1. Turn off the power at the main fuse or circuit breaker box before starting installation.
2. Loosen the wire nuts connected with the wires from photocell. (See Fig.2)
Note: Do not move the photocell to prevent water from seeping into the outlet box.

3. Take a white pigtail and black pigtail and make wire connections using wire nuts: (See Fig.3)
- a. The black wire from the fixture to one end of the black pigtail.
 - b. The white wire from the fixture to one end of the white pigtail.
 - c. The other end of the black pigtail to the black wire from the power source.
 - d. The other end of the white pigtail to the white wire from the power source.
- Put all wires back into the back plate of the fixture.



A: 10"
B: 15-1/2"
C: 11-5/8"