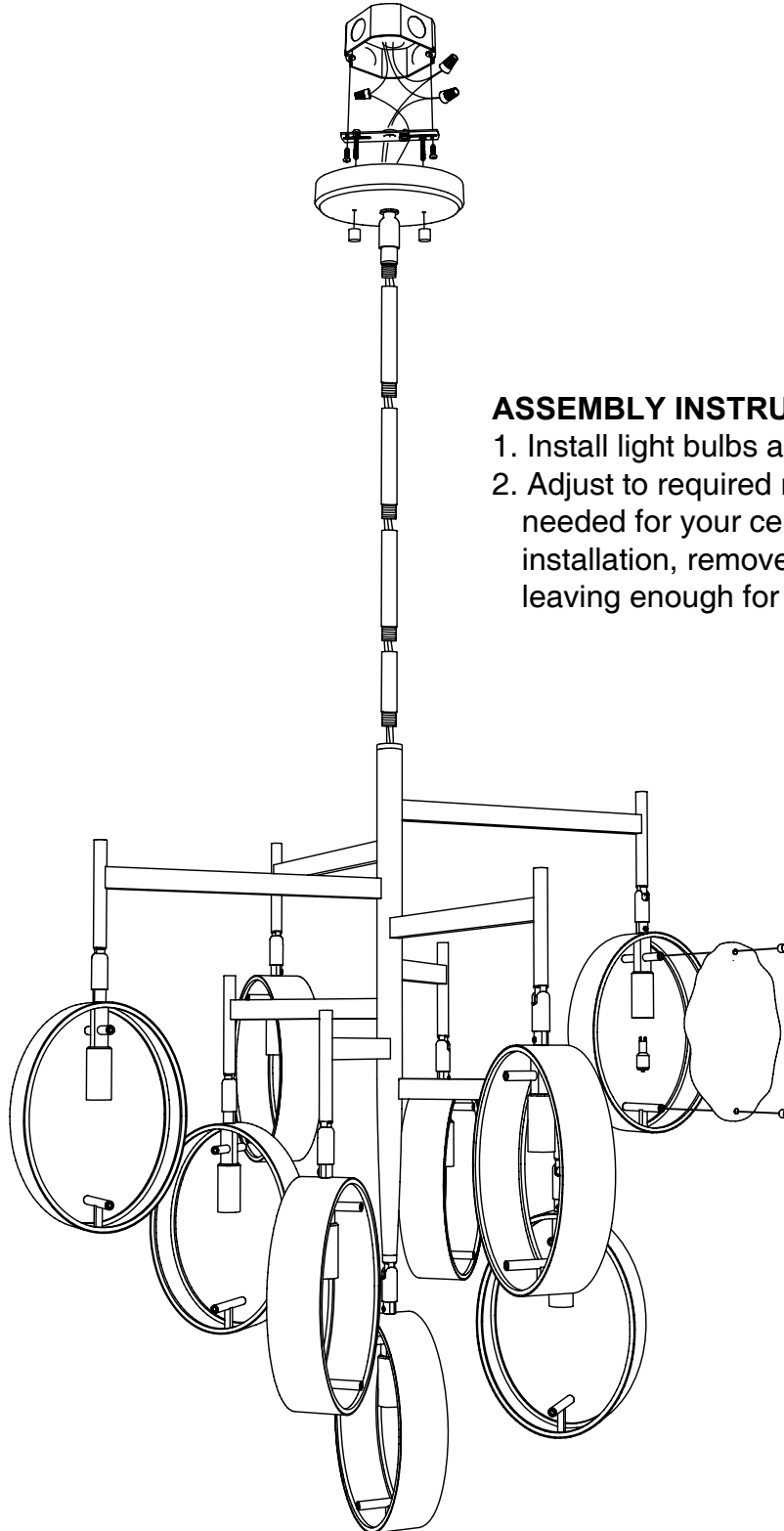




UTTERMOST

21317



**ASSEMBLY INSTRUCTIONS**

1. Install light bulbs and glass pieces.
2. Adjust to required rod & wire length as needed for your ceiling height for installation, remove excess if needed, leaving enough for wiring connections.



# UTTERMOST

## INSTALLATION INSTRUCTIONS

**NOTE: ALWAYS TURN POWER OFF BEFORE INSTALLING LIGHTING FIXTURES!**

**IMPORTANT: YOU SHOULD USE A QUALIFIED ELECTRICIAN TO INSTALL THIS FIXTURE.**

### Installation (see Fig.A)

1. Disconnect power at main electrical panel before installation.
2. Attach the **fixture screws** to the **mounting strap**, or **universal mounting plate** (whichever is provided). (Fig.A)
3. Pull the **supply wires** out from the **outlet box**, and mount the **mounting strap** or the **universal mounting plate** to the **outlet box**, using **box screws**.

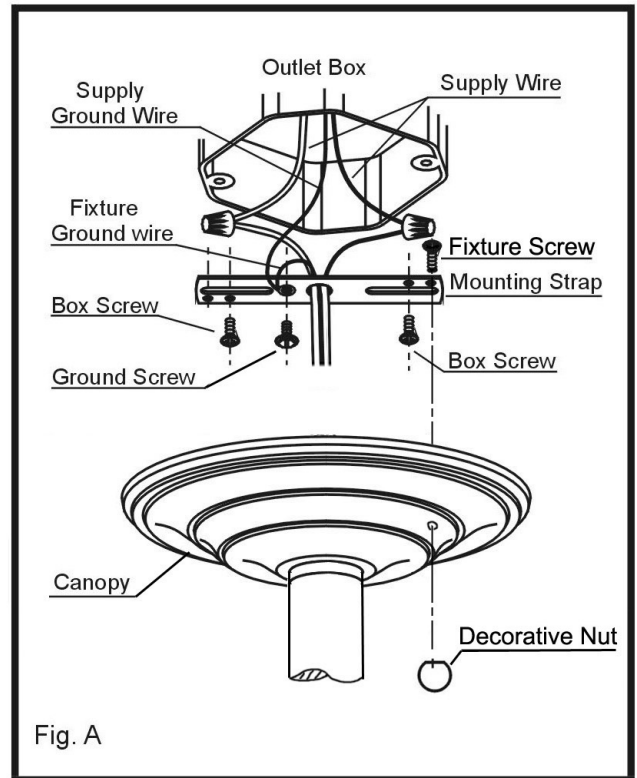


Fig. A

### Wiring (see Fig.B)

4. Split the conductors of the **fixture wire** about 4 inches. Being careful not to expose any of the wire inside of the insulation.
5. Connect the **fixture ground wire** and the **outlet box ground wire** to **mounting strap** with **GREEN hex-head ground screw** to tapped hole in **mounting strap** marked "GND".
6. Connect the half of the **fixture wire** that is white, marked, or has a ribbed surface to the **outlet box supply wire (WHITE)**. Connect the other half of the **fixture wire** that is black, unmarked, or has a smooth surface to the **outlet box supply wire (BLACK or RED)**. Use **wirenuts** provided.
7. Spread the electrical splices so that the black wire are on one side of the **outlet box** and the white wire are on the other side.
8. Place the **canopy** on the fixture over the **outlet box** and onto the **fixture screws**, and adjust the **#8-32 fixture screws** until they protrude out from the **canopy**. Remove the **canopy** and secure the position of the **fixture screws** by tightening the **hex nut** against the **mounting strap**. Place the **canopy** back onto the **fixture screws**, and secure into place using the **decorative nuts**.

Fig. B

Connect Black or Red House Wire to:	Connect White House Wire to:
Black	White
Parallel cord - SPT I & II (round & smooth)	Parallel cord - SPT I & II (square & ridged)
Clear, Brown, Gold or Black (without tracer)	Clear, Brown, Gold or Black (with tracer)
Insulated Wire (Other than GREEN) with copper conductor	Insulated Wire (Other than GREEN) with silver conductor