

INSTALLATION INSTRUCTION

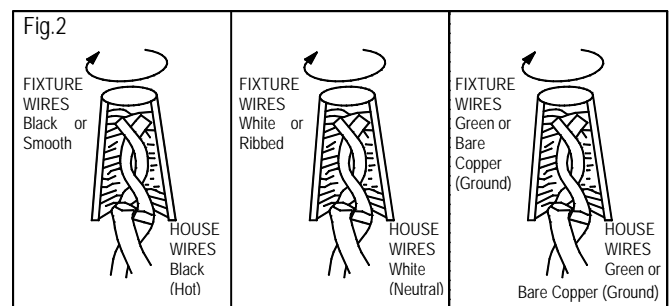
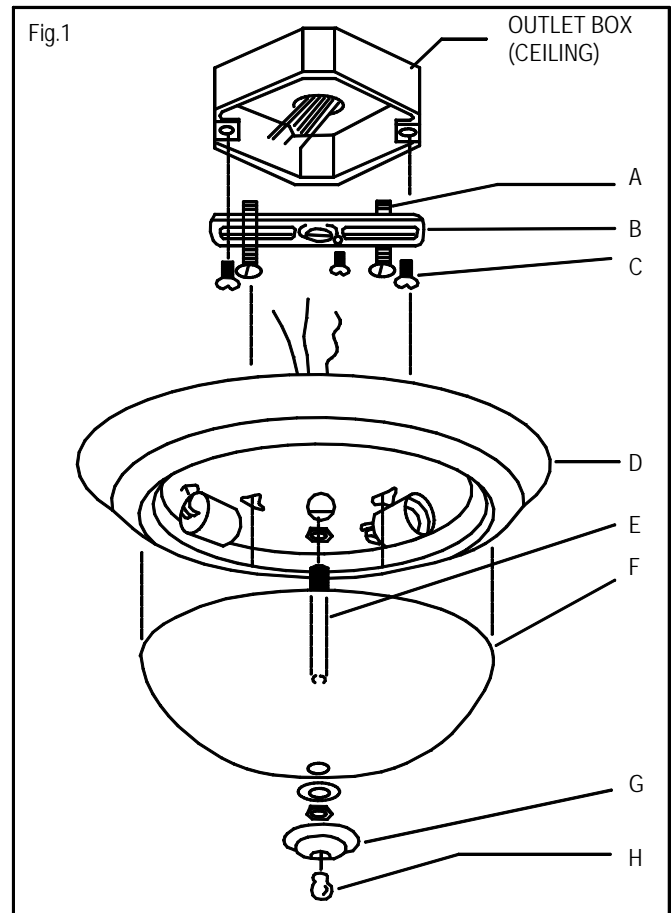
For Flush Mount Ceiling Fixtures

WARNING! SHUT POWER OFF AT FUSE OR CIRCUIT BREAKER.

MOUNTING THE FIXTURE

1. Shut off power at the fuse box or circuit breaker box. Remove the old fixture from ceiling. Including the crossbar.
2. Carefully unpack your new fixture and lay out all the parts on a clear area. Take care not to lose any small parts necessary for installation.
3. Thread the two Mounting Screws (A) about 1/4" into the pre-drilled holes in the Crossbar (B) spaced the same distance apart as the holes in the Ceiling Pan (D).
4. Attach the Crossbar (B) to the Outlet Box using the two Screws (C) from the Outlet Box. The side of the Crossbar marked "GND" must face out.
5. While holding the Ceiling Pan (D) toward the ceiling, Connect the electrical wires as follows. Connect the black wire from the fixture to the black house (hot) wire. Connect the white wire from the fixture wire to the white (neutral) house wire. Make sure all wire nuts are secured. You may wrap the connections with electrical tape. If your outlet has a ground wire (green or bare copper) connect fixtures ground wire to it. Otherwise connect fixture's ground wire directly to the crossbar using the green screw provided. Tuck the wire connections neatly into the ceiling junctions box as you hold the Ceiling Pan assembly toward the ceiling.
6. Finish mounting the Ceiling Pan (D) by placing it over the Crossbar (B) with Mounting Screws (A) so that they protrude through the "Keyholes" in the bottom of the pan. Rotate the Pan until the screws are in the slots of the "Keyholes" and tighten with a screwdriver.
7. Install the light bulbs in accordance with the fixture's specifications. **DO NOT EXCEED THE MAXIMUM WATTAGE RATING!**
8. Thread the Nipple (E) into the Ceiling Pan (D). Place the Glass Shade (F) over the Ceiling Pan (D) allowing the Nipple (E) to protrude through the bottom hole in the glass.
9. While holding the Glass Shade, and place a washer and mounting Nut through the Nipple (E), slide Bottom Cap (G) tighten finial (H) against Ceiling Pan (D).

Your installation is now complete. Return power to the junction box and test the fixture.



CAUTION-RISK OF FIRE. CONSULT A QUALIFIED ELECTRICIAN TO ENSURE CORRECT BRANCH CIRCUIT CONDUCTOR MIN 90 SUPPLY CONDUCTORS.