



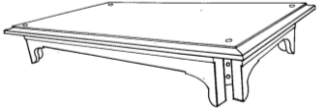





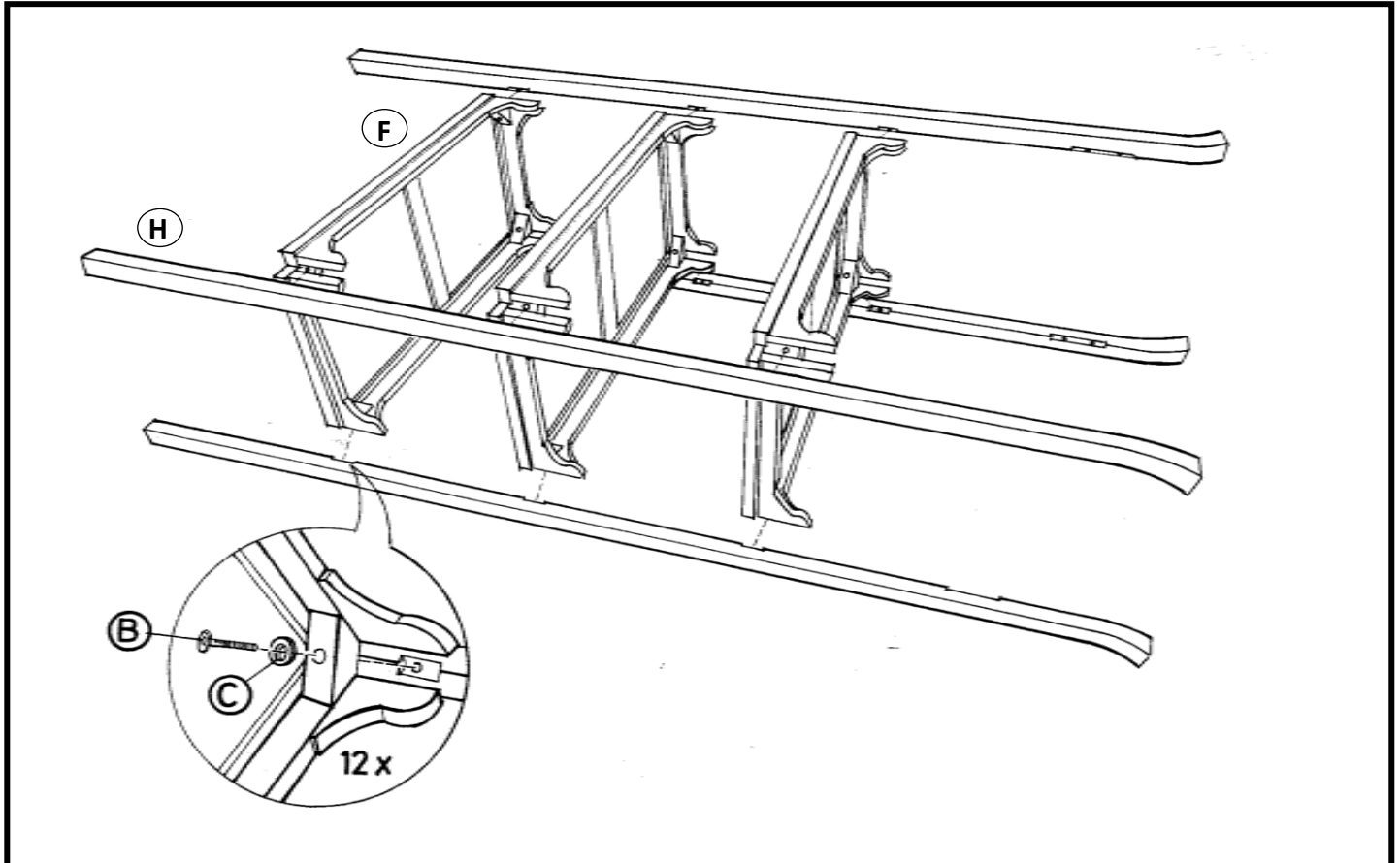


UTTERMOST

ASSEMBLY INSTRUCTION FOR ITEM # 25661

NO.	PART LIST	QTY
(A)	 JCBC M6 x 50	20 pcs
(B)	 WASHER Ø6 x Ø13 x 1	20 pcs
(C)	 JCBC M6 x 40	4 pcs
(D)	 ALLEN KEY 4mm	1 pcs

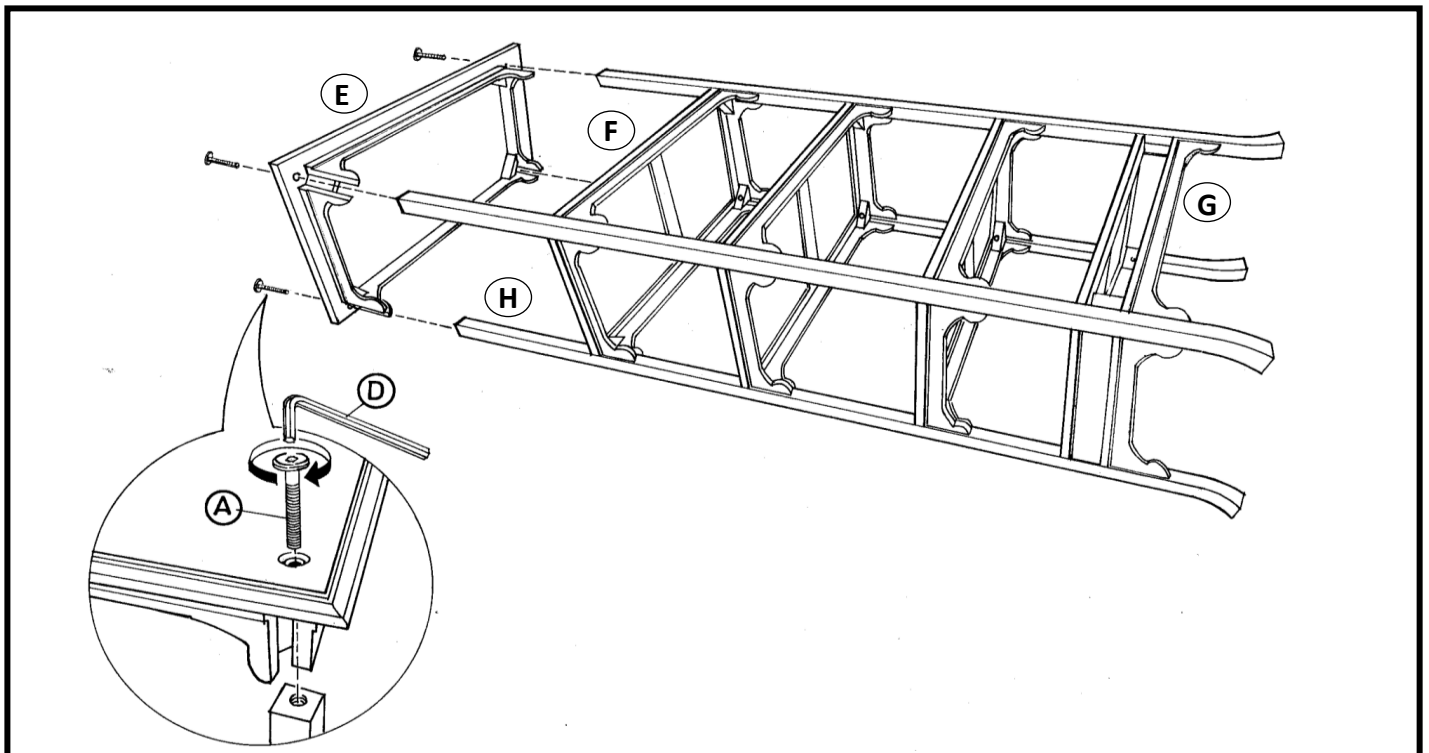
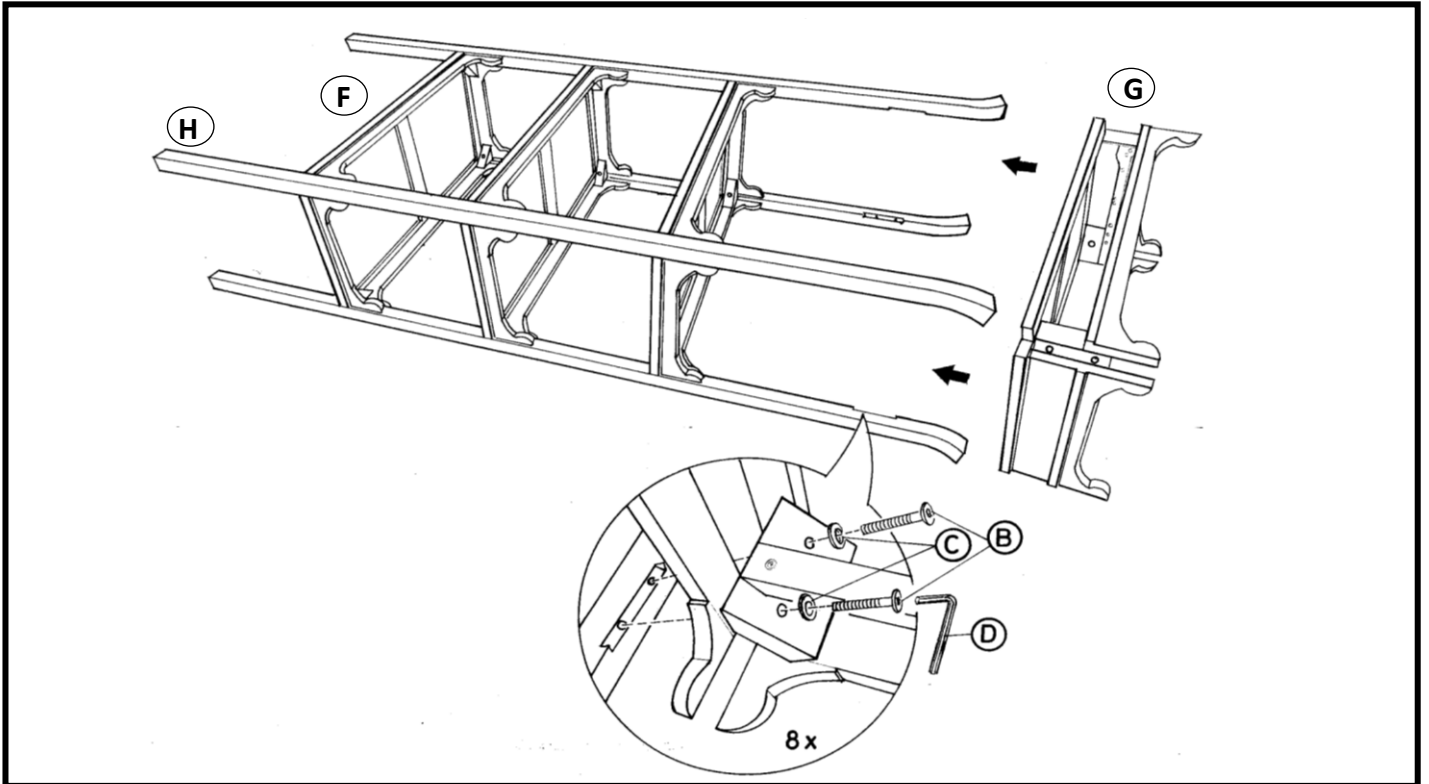
NO.	PART LIST	QTY
(E)	 TOP	1 pcs
(F)	 SHELF	3 pcs
(G)	 BOTTOM	1 pcs
(H)	 LEG	4 pcs





UTTERMOST

ASSEMBLY INSTRUCTION FOR ITEM # 25661





UTTERMOST

ASSEMBLY INSTRUCTION FOR ITEM # 25661

