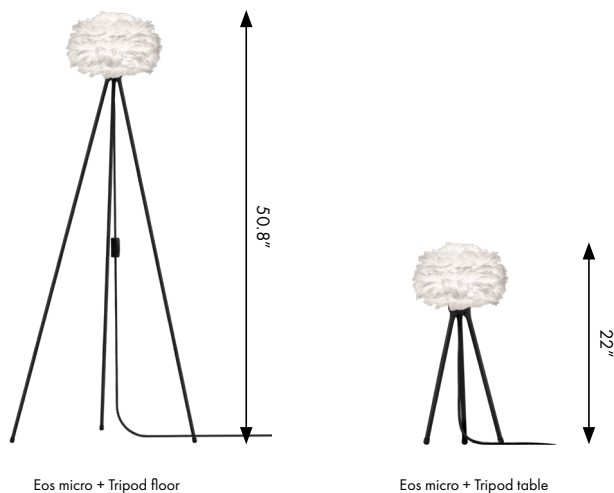
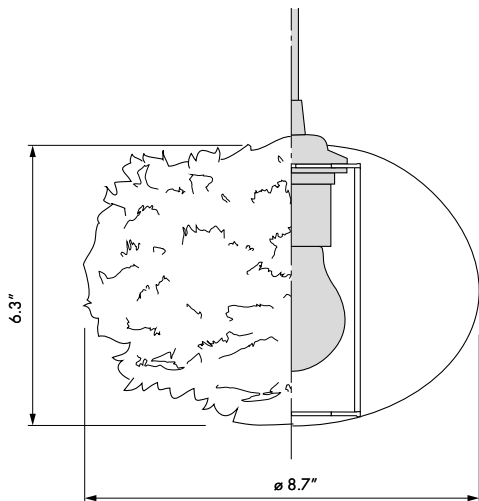


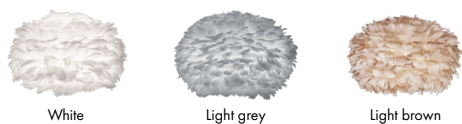
UMAGE Eos | micro

#3000
#3012
#3014

Designed by Soren Ravn Christensen in Copenhagen, Denmark



Color variations



Floor and pendant in one



Dimensions

ø 8.7"
h 6.3"



Material

Approx 500 goose feathers, fabric and steel



Easily cleaned with hairdryer



Weight incl. packaging

0.73 lbs



Light source

E26 - max 15 W LED
Bulb recommendation: #4041



Packaging

Gift Box, Dimensions 9.06 * 9.06 * 3.15" (LxWxH)



Assembly time

5 min - video guide at umage.com



CUL Certified

For indoor use



Media Kit

Photos, 3D models, 2D drawings
Download at umage.com



Ordering Information

Eos micro white	#3000
Eos micro light grey	#3012
Eos micro light brown	#3014

Accessories

Swag kit cord set white	#4009
Swag kit cord set black	#4010
Canopies cord set white	#4007
Canopies cord set black	#4008
Canopies cord set brushed	#4029
Canopies cord set brown	#4030
Tripod Floor White	#4015
Tripod Floor Black	#4016
Tripod Table White	#4021
Tripod Table Black	#4022
Tripod base white	#4055
Tripod base black	#4056
Champagne floor white	#4037
Champagne floor black	#4038
Idea 2.3" (7W LED bulb)	#4041
Idea 3.1" (7W LED bulb)	#4042
Idea 1.7" (2W LED bulb)	#4040



Download the UIMAGE Unfold at Home App

It helps you choose the perfect lamp

UNFOLD
AT HOME



UMAGE
Kongens Nytorv 15
DK-1050 Copenhagen K
Denmark

+45 31 39 31 31 (tel)
+45 31 73 32 29 (fax)
info@umage.com
www.umage.com

The specifications and dimensions are subject to change without notice.
Document date: 23-05-2018