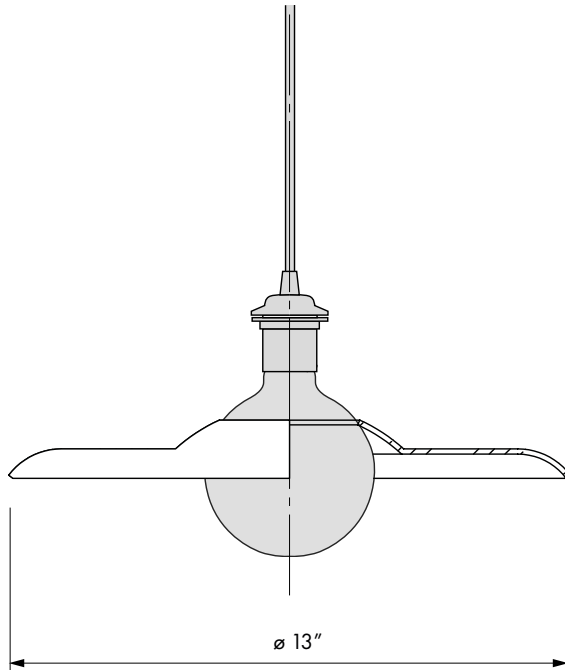


UMAGE Shade

Designed by Soren Ravn Christensen in Copenhagen, Denmark



Shade felt + Tripod base + Idea 3W 125 mm



Shade felt + Cordset + Idea 3W 125 mm



Floor and pendant in one



Unbreakable



Dimensions

ø 13"
h 13"



Material

PET felt



Weight incl. packaging

1,05 lbs



Light source

E26 - max 15 W LED
Bulb recommendation: #4103



Packaging

Gift Box, Dimensions (L×W×H): 14.2x14.2x1.6"



Assembly time

15 min - video guide at umage.com



Media Kit

Photos, 3D models, 2D drawings
Download at umage.com



Ordering Information

Shade felt

#2107

Accessories

| | |
|----------------------------|-------|
| Swag kit cord set white | #4009 |
| Swag kit cord set black | #4010 |
| Canopies white | #4007 |
| Canopies black | #4008 |
| Canopies nickel | #4029 |
| Canopies oil rubbed bronze | #4030 |
| Tripod floor white | #4011 |
| Tripod floor black | #4012 |
| Tripod table white | #4023 |
| Tripod table black | #4024 |
| Tripod base white | #4055 |
| Tripod base black | #4056 |
| Champagne floor white | #4037 |
| Champagne floor black | #4038 |
| Idea 4.9" (3W LED bulb) | #4103 |

Color variations



Felt



Download the UIMAGE Unfold at Home App

It helps you choose the perfect lamp

UNFOLD
AT HOME

