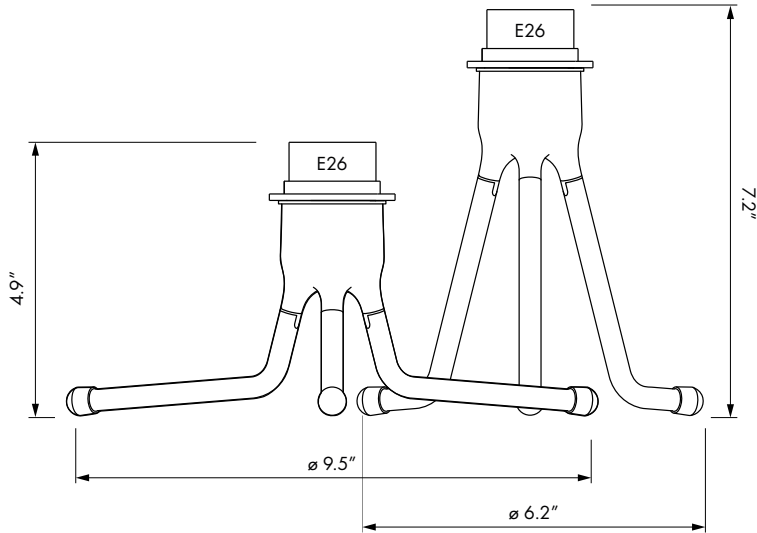


UMAGE Tripod Base

Designed by Soren Ravn Christensen in Copenhagen, Denmark



Dimensions
 ø 6.2" or 9.5"
 h 7.2" or 4.9"

Material
 ABS, Aluminium

Weight
 1.34 lbs

Light source
 E26
 Max 15 W LED

Packaging
 Gift Box, Dimensions (W×H×D): 6.5x6.5x3.7"

Assembly time
 5 min—video guide at umage.com

CUL Certified
 For indoor use

Media Kit
 Photos, 3D models, 2D drawings
 Download at umage.com

Ordering Information

Tripod base white	#4055
Tripod base black	#4056

Accessories

Idea 2.3" (7W LED bulb)	#4041
Idea 3.1" (7W LED bulb)	#4042
Idea 1.7" (2W LED bulb)	#4040



Color variations



Download the UIMAGE Unfold at Home App
 It helps you choose the perfect lamp

UNFOLD
AT HOME



UMAGE
 Kongens Nytorv 15
 DK-1050 Copenhagen K
 Denmark

+45 31 39 31 31 (tel)
 +45 31 73 32 29 (fax)
 info@umage.com
 www.umage.com

The specifications and dimensions are subject to change without notice.
 Document date: 23-05-2018