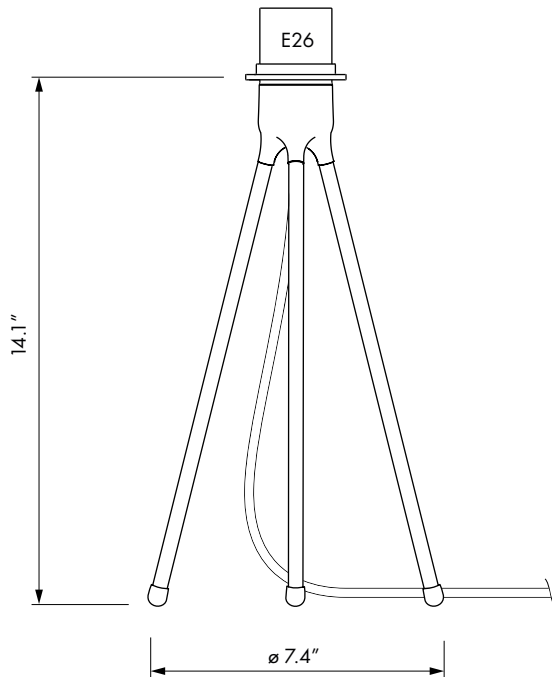
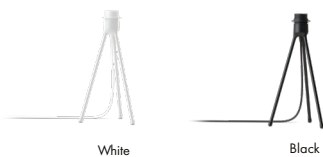


UMAGE Tripod Table

Designed by Soren Ravn Christensen in Copenhagen, Denmark



Color variations



	Dimensions ø 7.4" h 14.1"
	Material ABS, Aluminium
	Weight incl. packaging 1,39 lbs
	Light source E26 Max 15 W LED
	Packaging Gift Box, Dimensions (L×W×H): 2.7×2.7×15.7"
	Assembly time 1 min - video guide at umage.com
	CUL Certified For indoor use
	Media Kit Photos, 3D models, 2D drawings Download at umage.com
	Ordering Information
	Tripod table white #4023
	Tripod table black #4024
	Accessories
	Idea 2.3" (7W LED bulb) #4041
	Idea 3.1" (7W LED bulb) #4042
	Idea 1.7" (2W LED bulb) #4040



Download the UIMAGE Unfold at Home App
It helps you choose the perfect lamp

UNFOLD
AT HOME

