

Ulti MATE



TALL HANGING WALL CABINET Model Number # GA-09

Heavy Duty, Two Door, Two Shelves, Wall Hanging Cabinet

PLEASE DO NOT TAKE THIS PRODUCT BACK TO THE STORE!

Most likely, stores do not stock spare parts and cannot help. In the event that parts are missing.

PLEASE CALL: 800-344-7005

ASSEMBLY INSTRUCTIONS

Bladez Corp. | Ultimate Garage - 20155 Ellipse - Foothill Ranch, CA 92610
949.206.8155 (V) - 949.206.0013 (F)

PARTS LIST

Ulti MATE

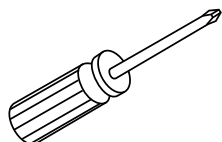


WALL CABINET MODEL #GA-09

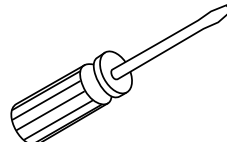
Using the Parts List below, check to make sure all parts are included. Instructions will reference Part Letters found in this list. In the event that parts are missing or damaged.

PLEASE CALL: 800-344-7005

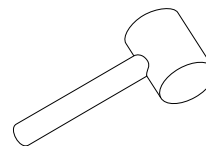
TOOLS NEEDED FOR ASSEMBLY







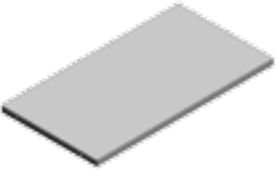


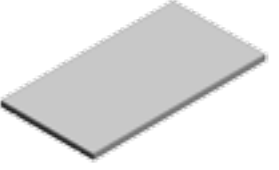
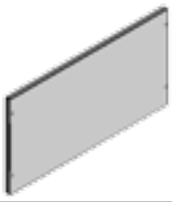
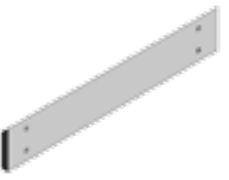
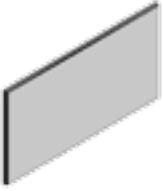
Phillips Screw Driver



Flat Screw Driver



Rubber Mallet

#	DESCRIPTION	QTY	IMAGE	#	DESCRIPTION	QTY	IMAGE
a	Side Panel (LEFT)	1		g	Back Panel	1	
b	Side Panel (RIGHT)	1		h	Door (LEFT)	1	
c	Shelf (FIXED)	1		i	Door (RIGHT)	1	
d	Hanging Cleat (CABINET)	1		j	Shelf (ADJUSTABLE)	1	
e	Bottom Panel	1		k	Hanging Cleat (WALL)	1	
f	Top Panel	1					


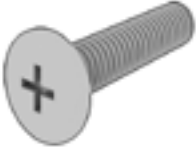
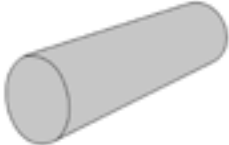


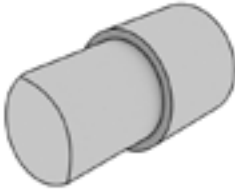

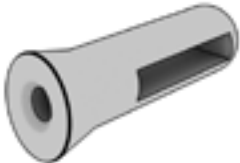





PARTS LIST Uti MATE



WALL CABINET MODEL #GA-09

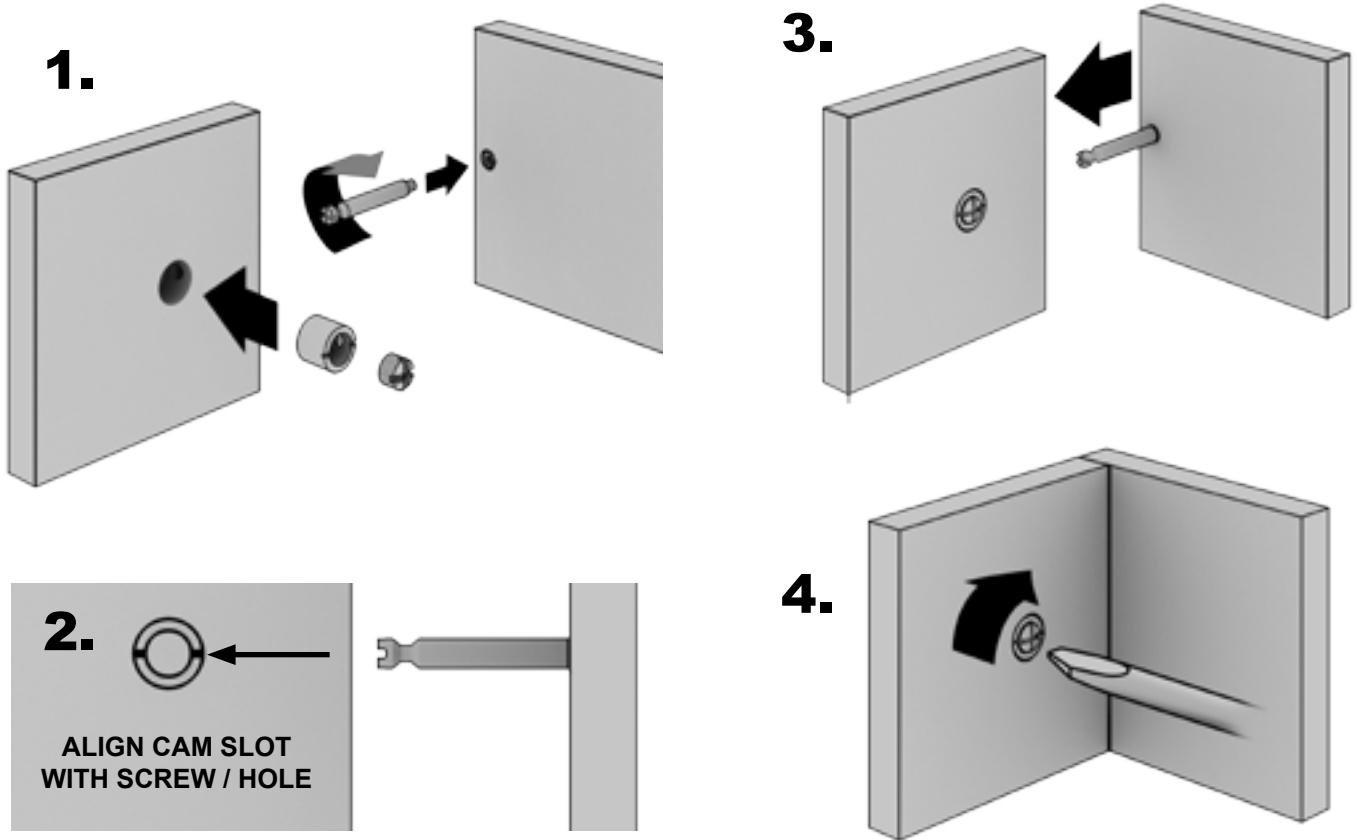
Using the Parts List below, check to make sure all parts are included. Instructions will reference Part Letters found in this list. In the event that parts are missing or damaged.

PLEASE CALL: 800-344-7005

#	DESCRIPTION	QTY	IMAGE	#	DESCRIPTION	QTY	IMAGE
aa	Screw (4.5 x 42mm)	12		gg	Screw (M5 x 25mm)	4	
bb	Wooden Dowel	4		hh	Hinge	4	
cc	Cam	8		ii	Shelf Pin	4	
dd	Metal Dowel	8		jj	Wall Anchor	4	
ee	Screw (3.5 x 12mm)	24		kk	Spring Washer	4	
				ll	Corner Support	2	
ff	Pull	2		mm	Screw	2	
				nn	Touch-up Paint	1	

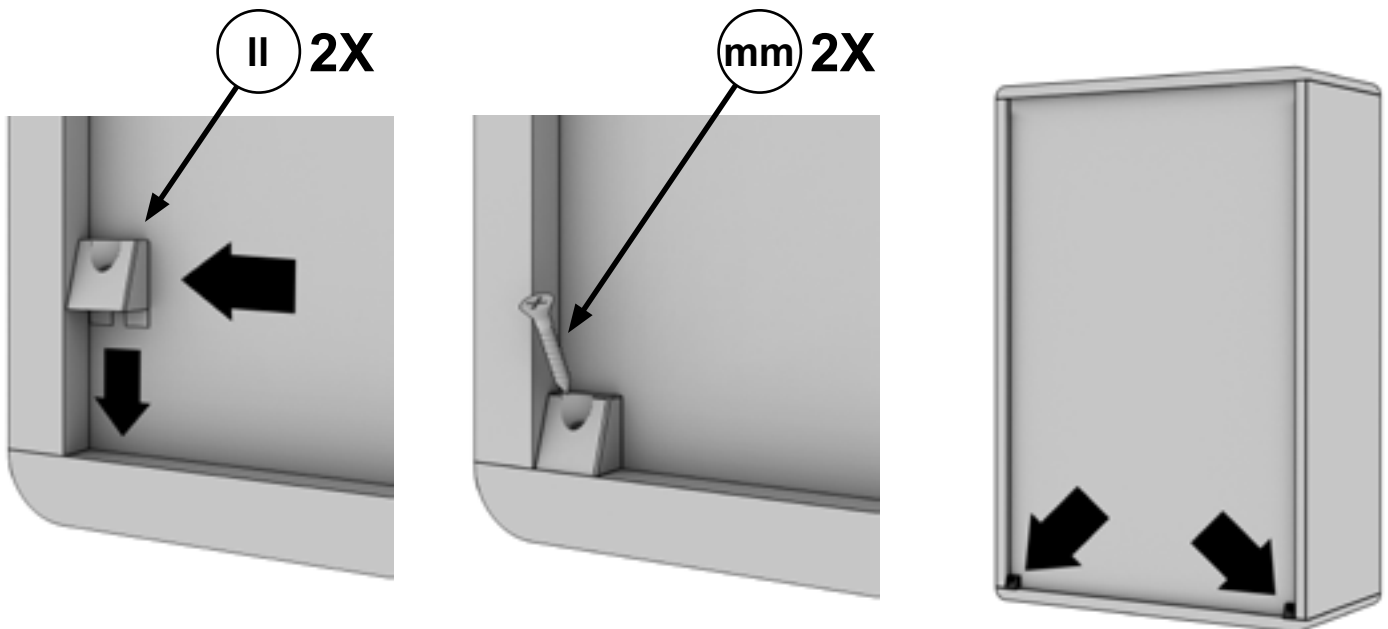
BEFORE YOU BEGIN

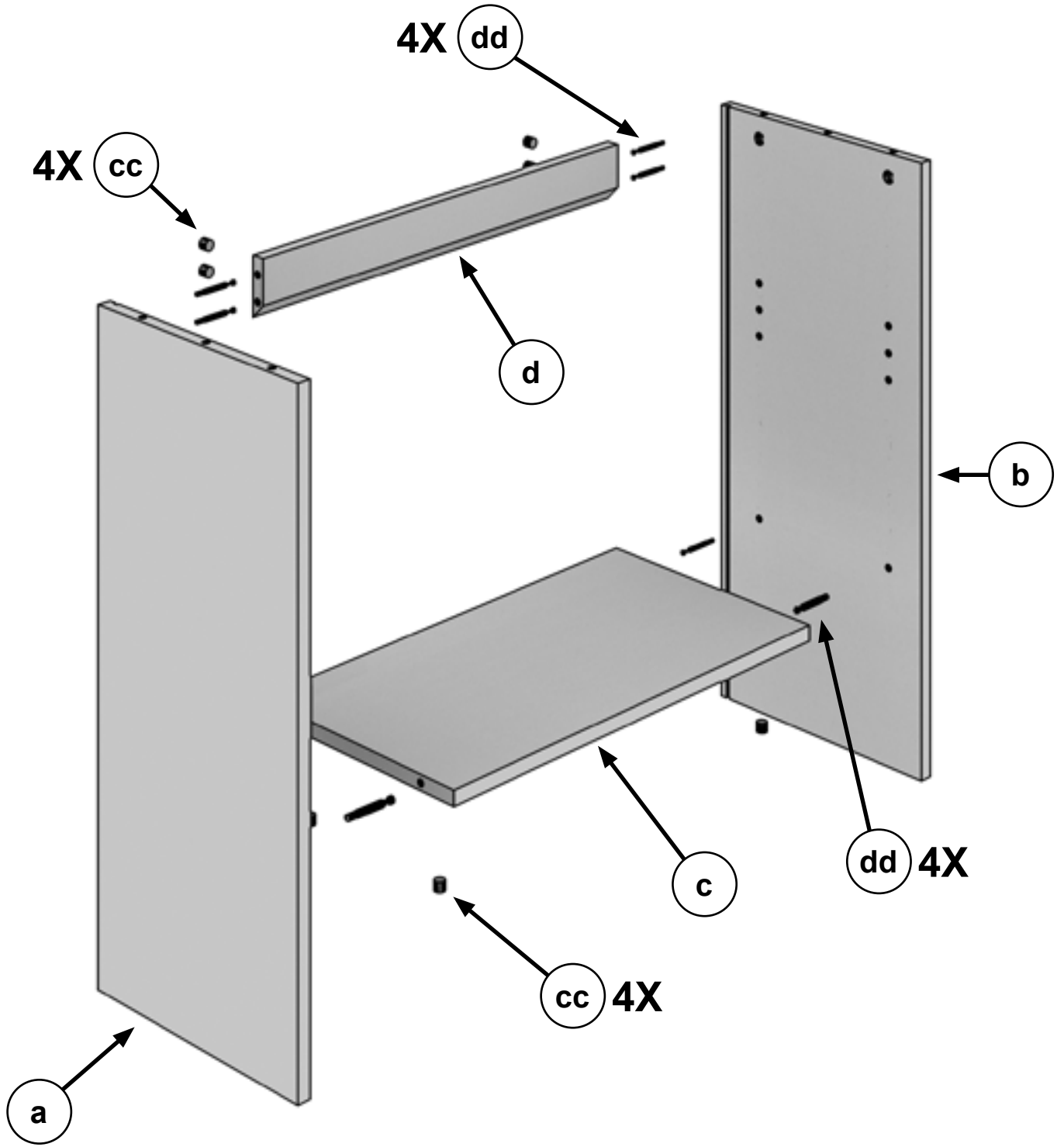
CAM STYLE FASTENERS ARE USED THROUGHOUT THE ASSEMBLY OF THIS CABINET. ASSEMBLE ALL CAMS AS SHOWN BELOW.



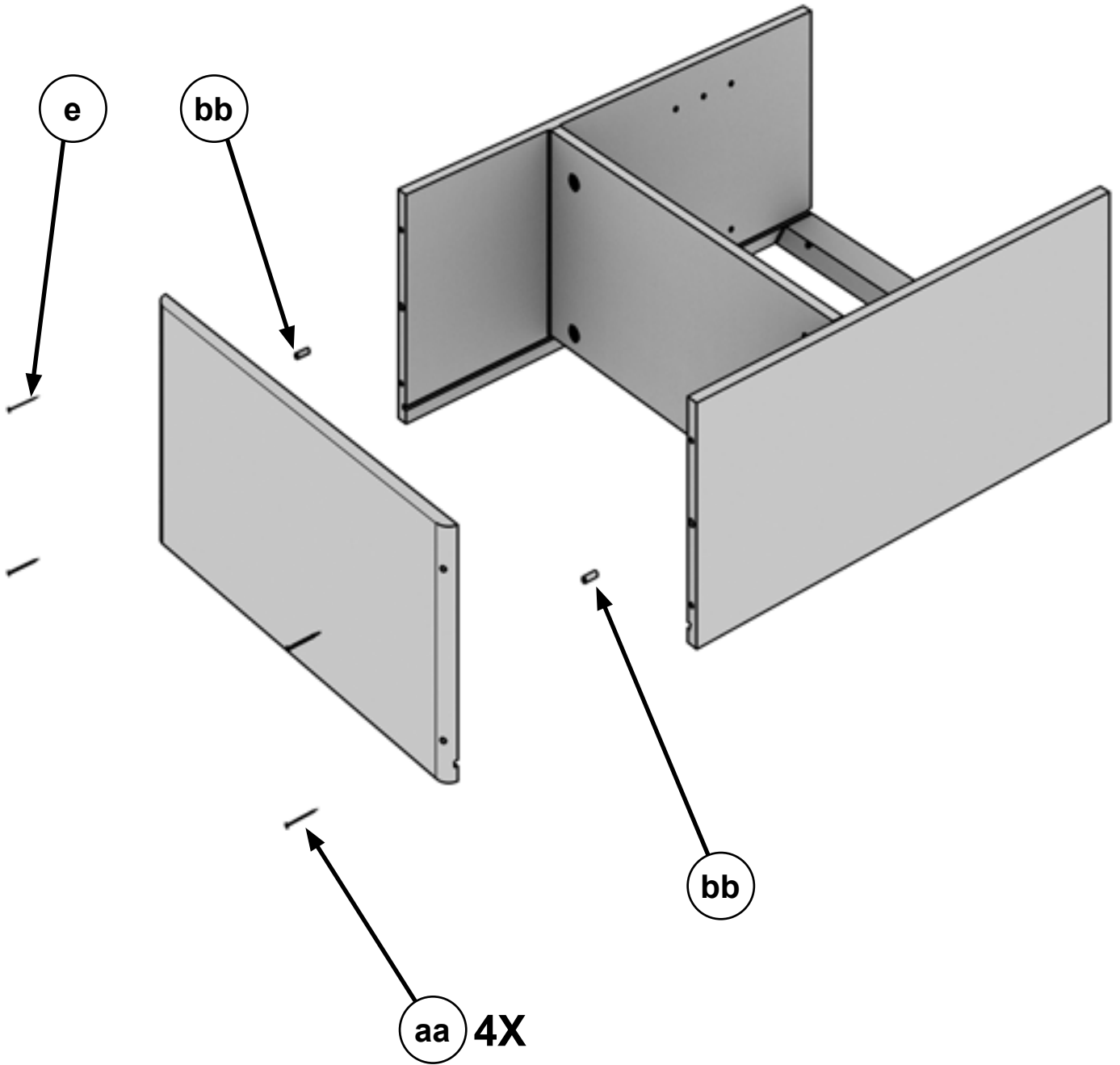
WHEN YOU FINISH

ADDING CORNER SUPPORTS TO THE BACK WILL GREATLY INCREASE THE STRENGTH OF YOUR CABINET.

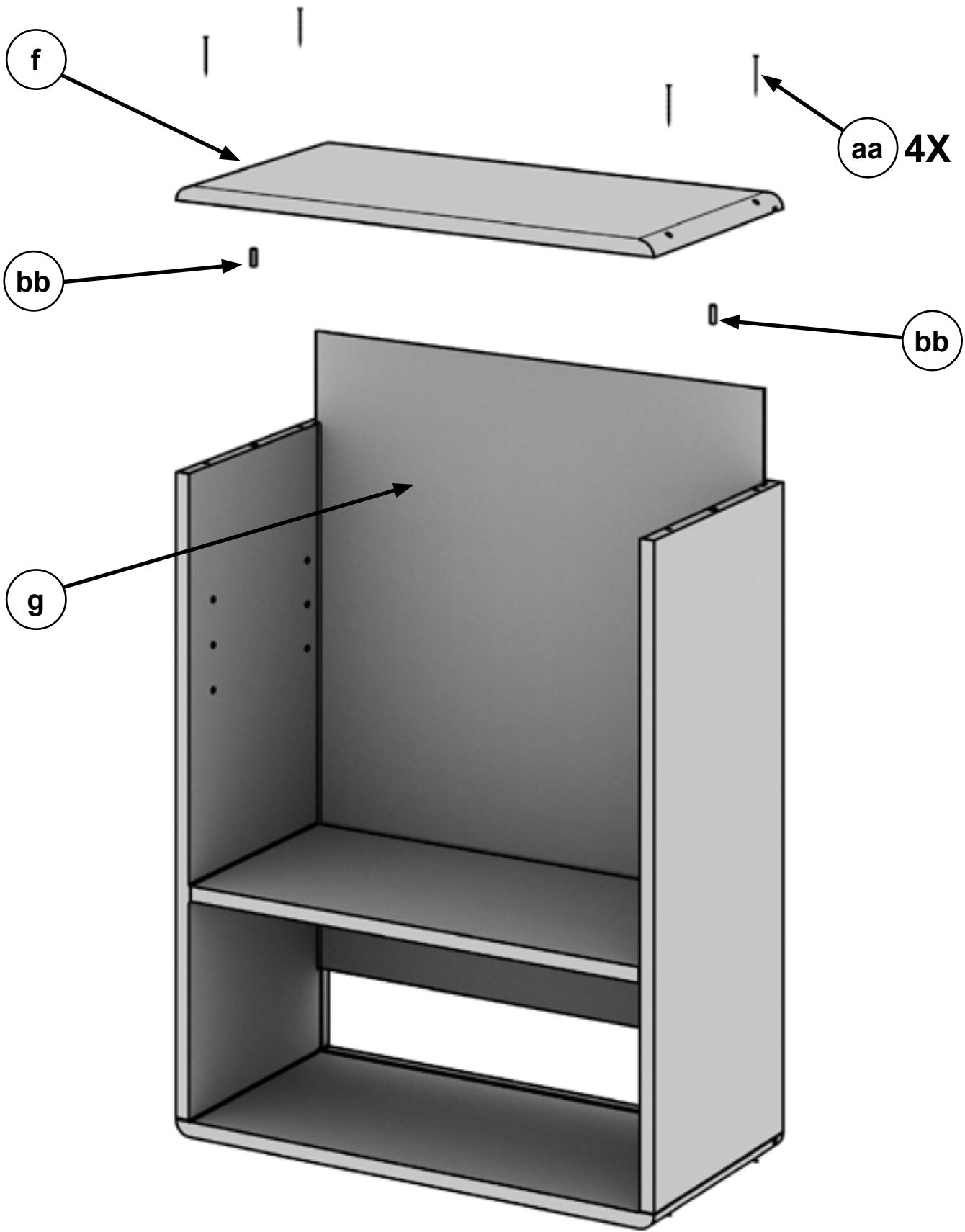




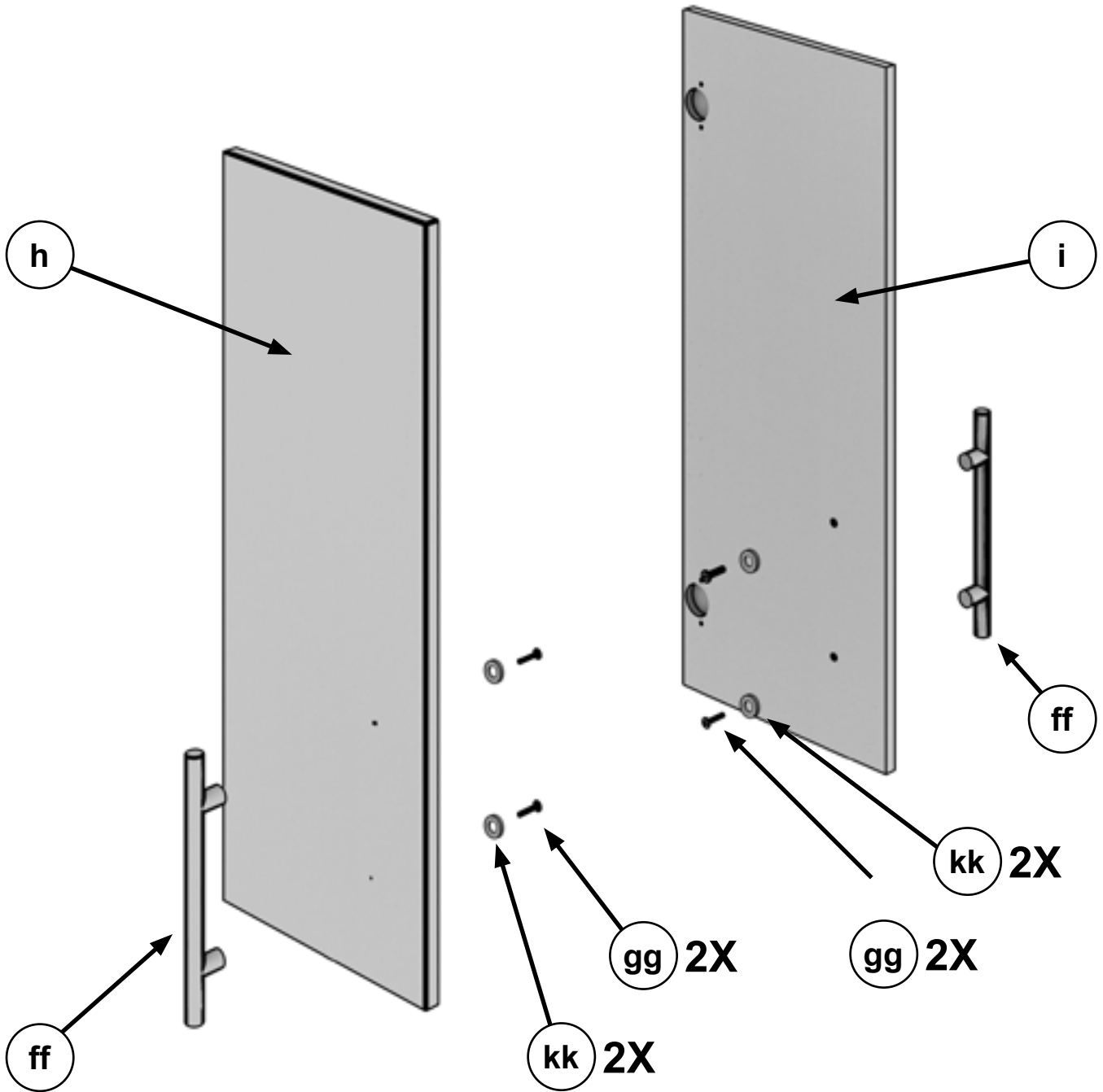
STEP 2



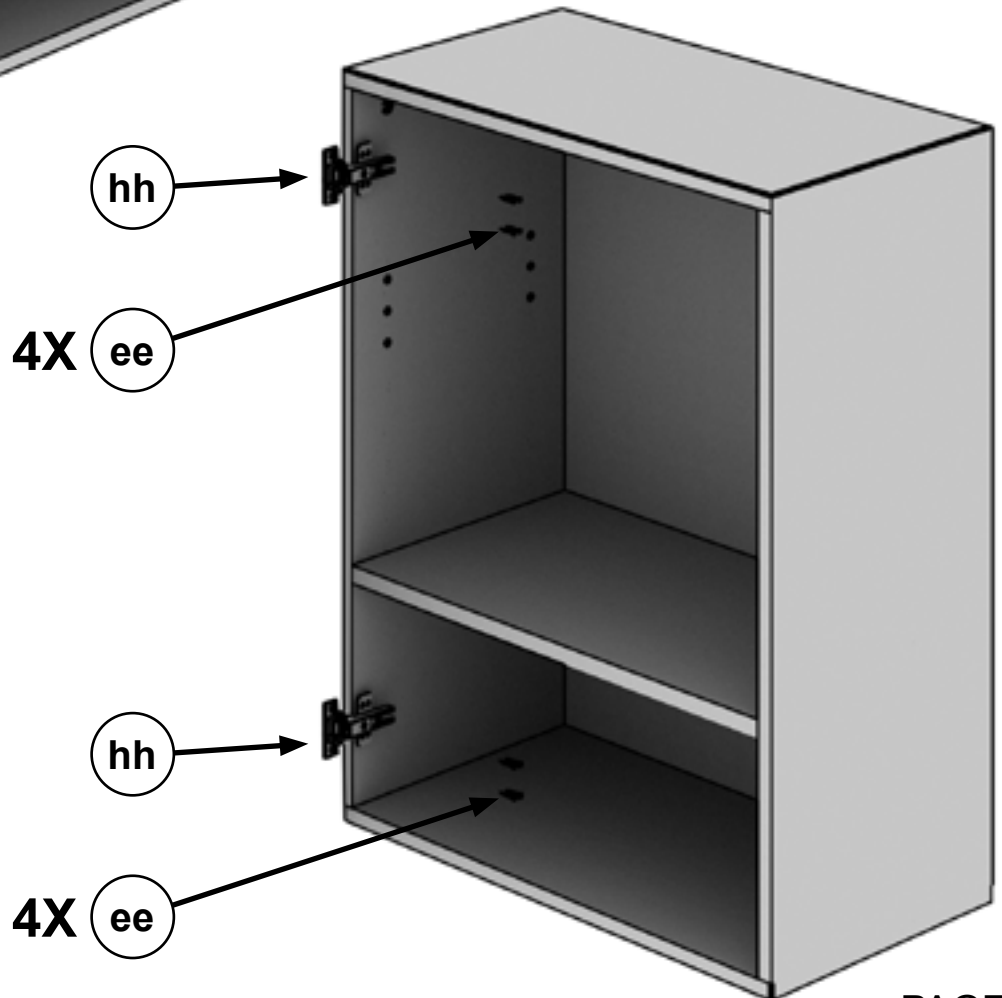
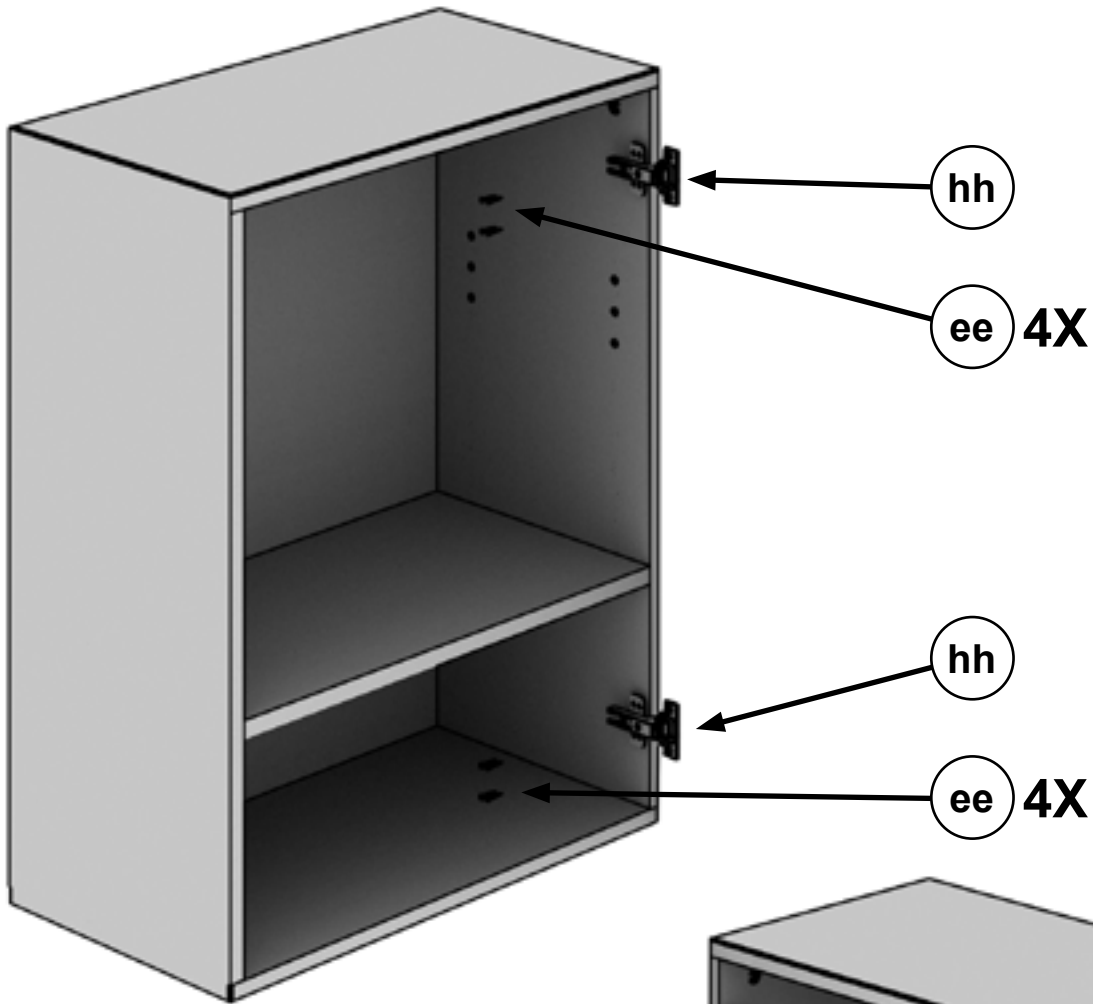
STEP 3



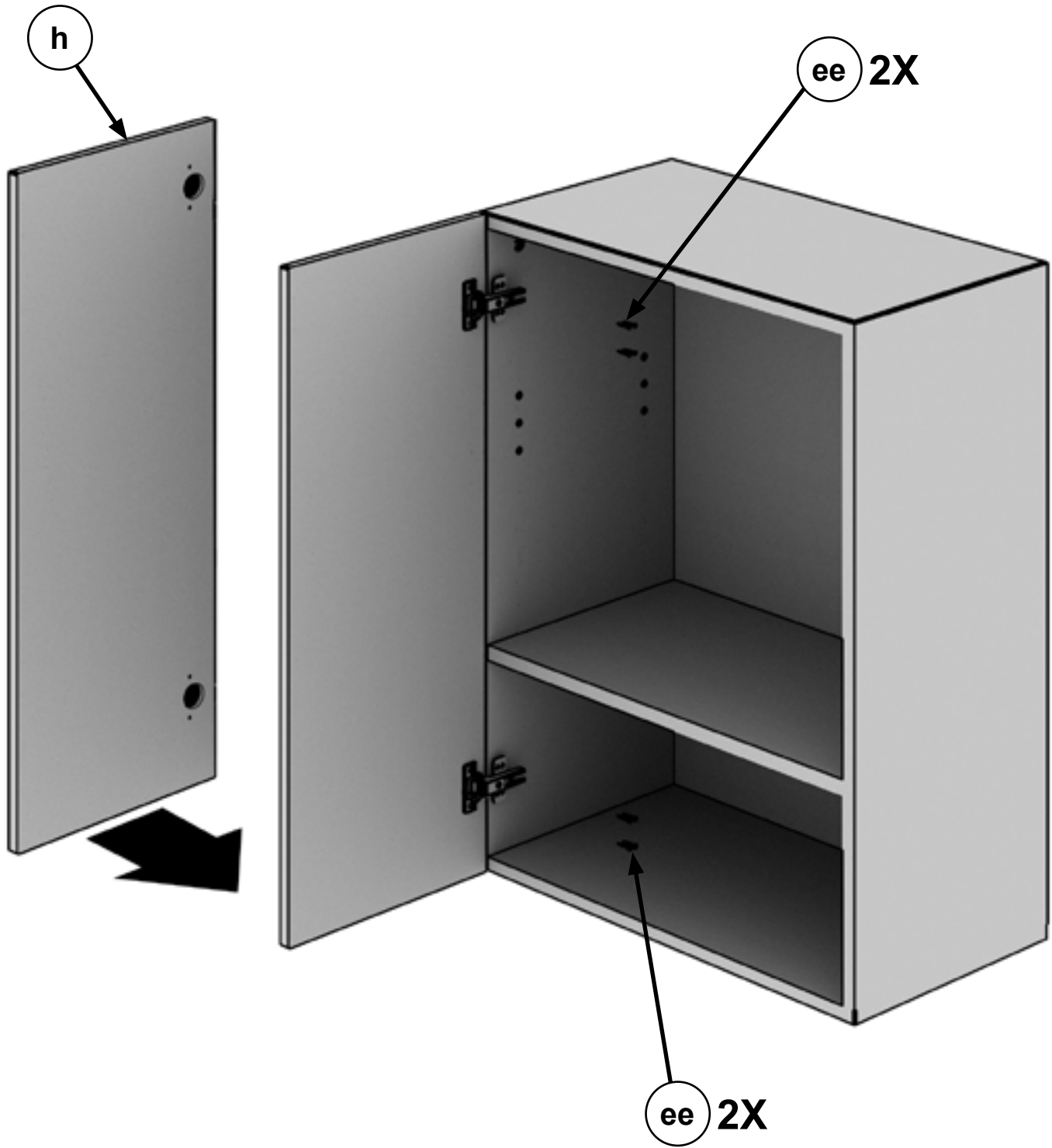
STEP 4

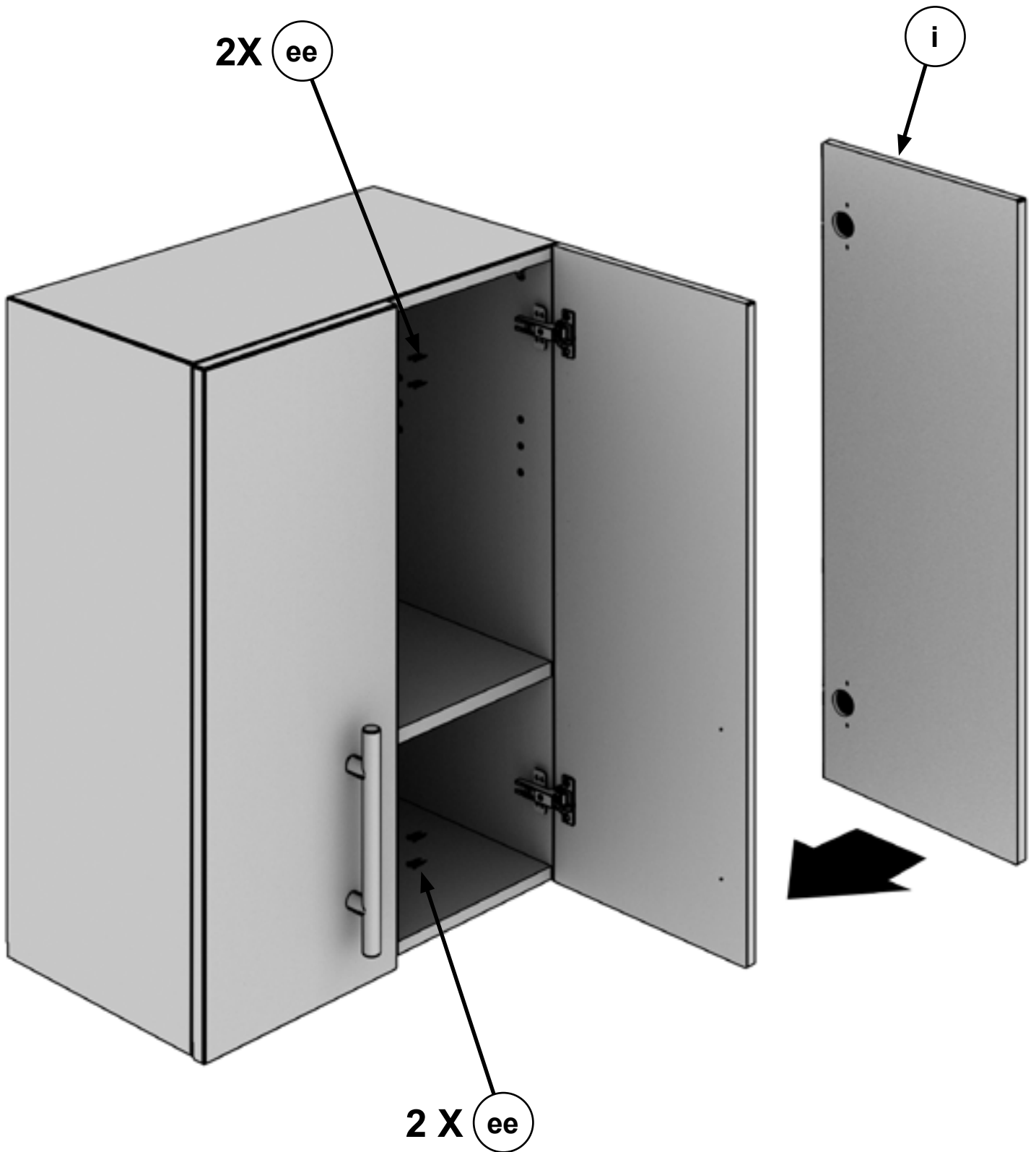


STEP 5

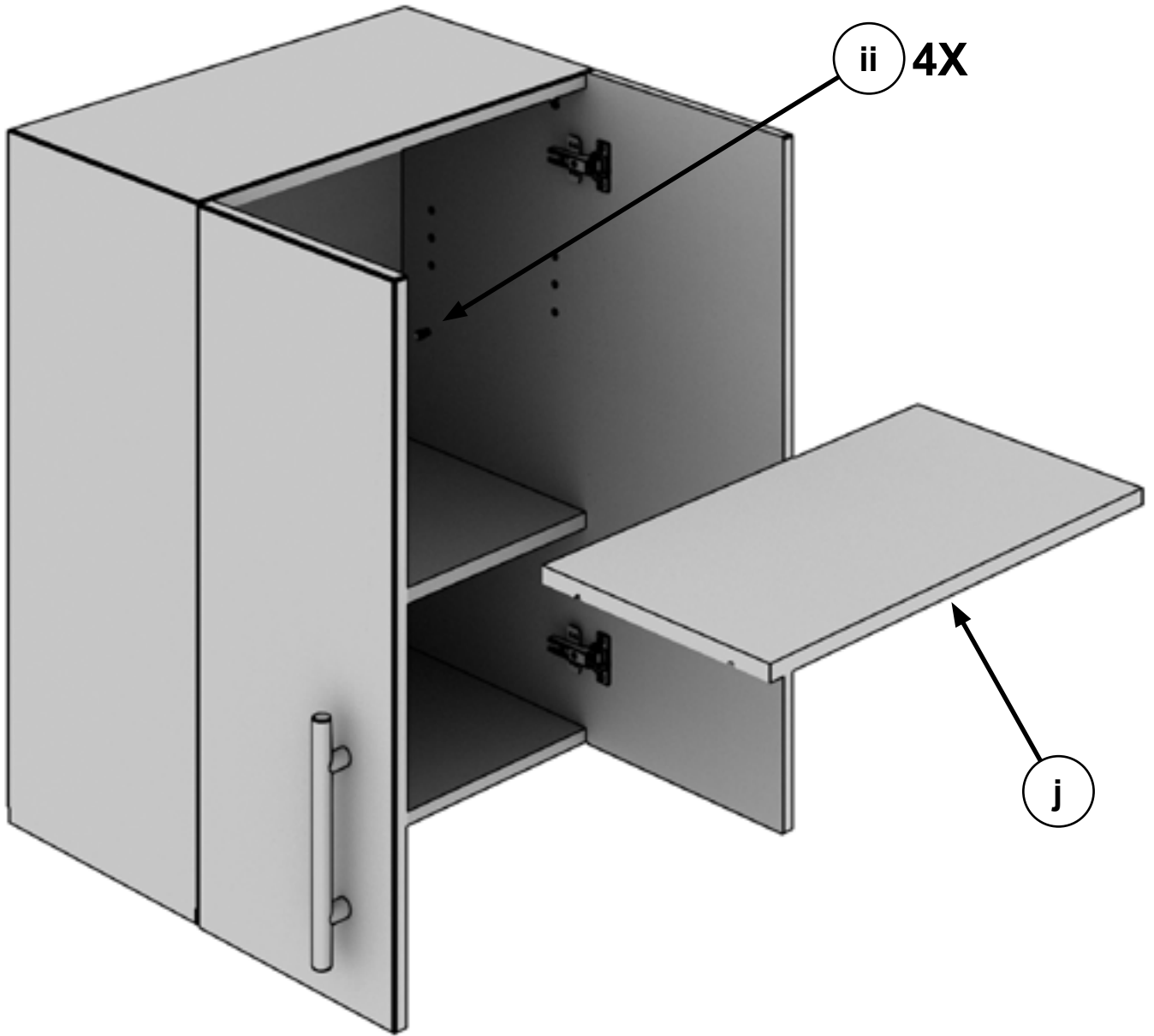


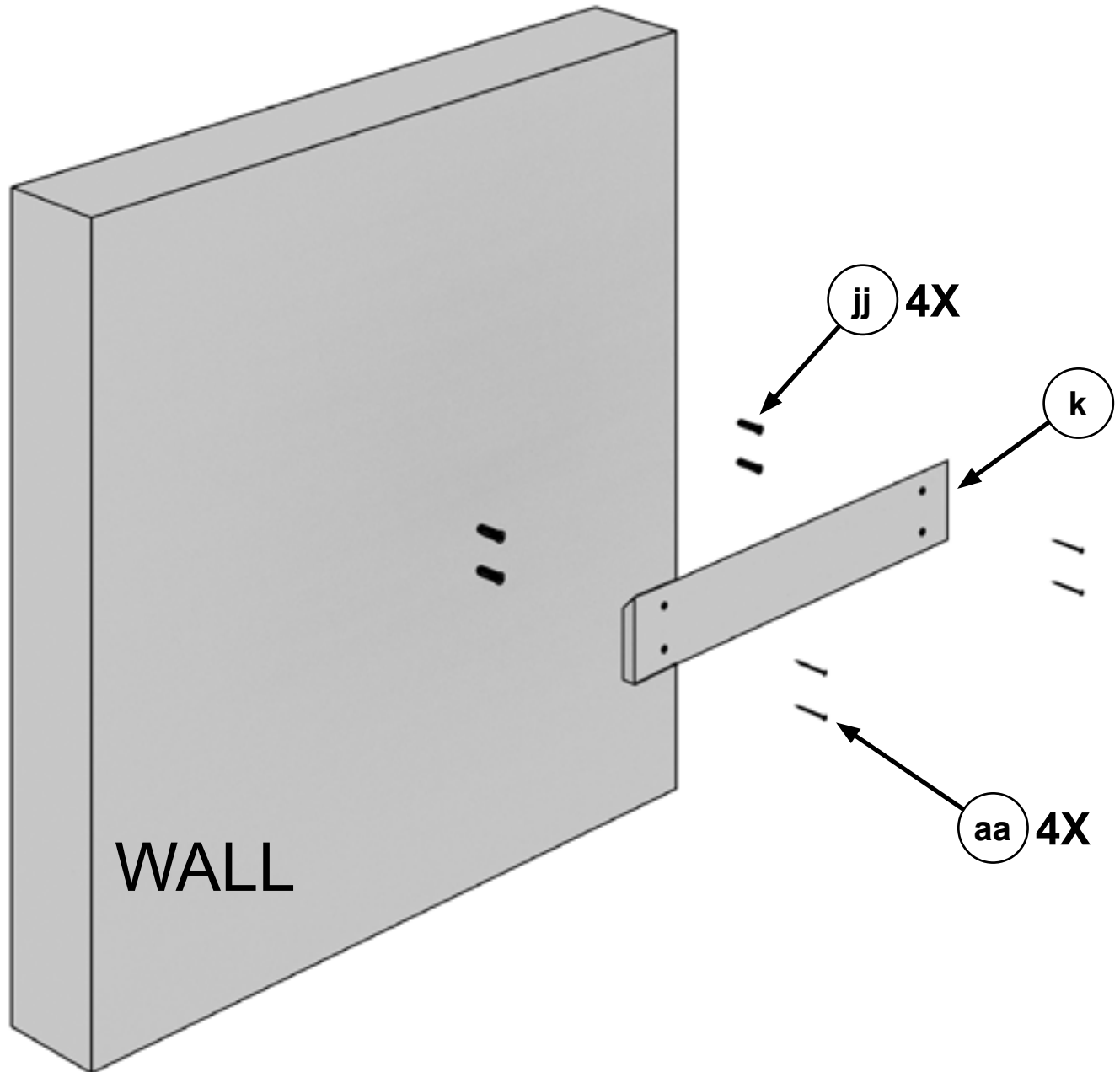
STEP 6





STEP 8





To Mount To Wall, Screw Directly Into Studs When Available.
Use Supplied Wall Anchors When Studs Are Not Available.

Weight Rating Is 150 Pounds For A Single Cabinet.
DO NOT EXCEED 150 POUNDS.

STEP 10

